

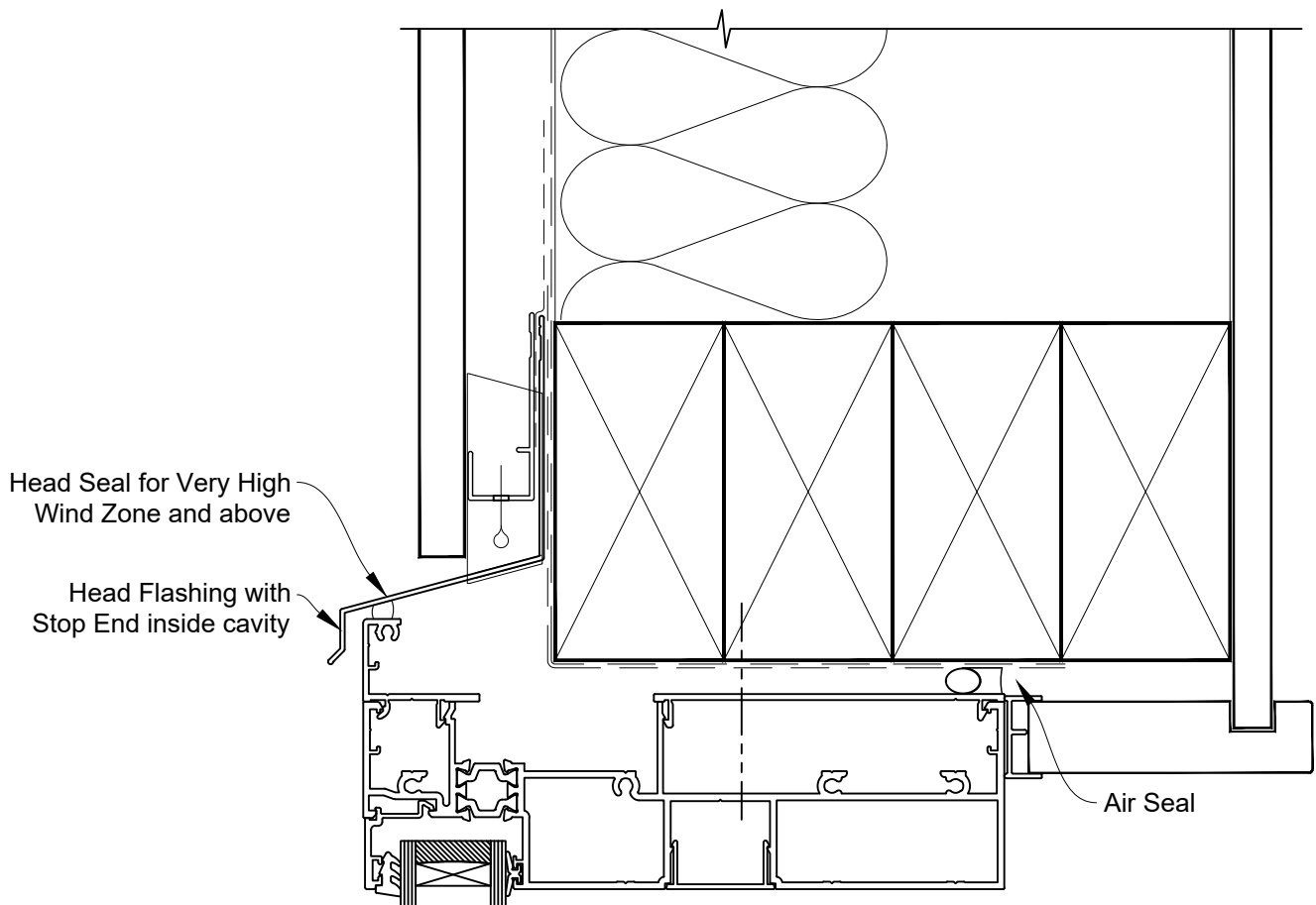


# INSTALLATION DETAIL - ARCHITECTURAL THERMAL HEART 171mm AWNING WINDOW ON FLAT SHEET CAVITY CONSTRUCTION

Date: 01.09.23

Scale: 1:2

CAD Ref.: TA171AWFS-CH



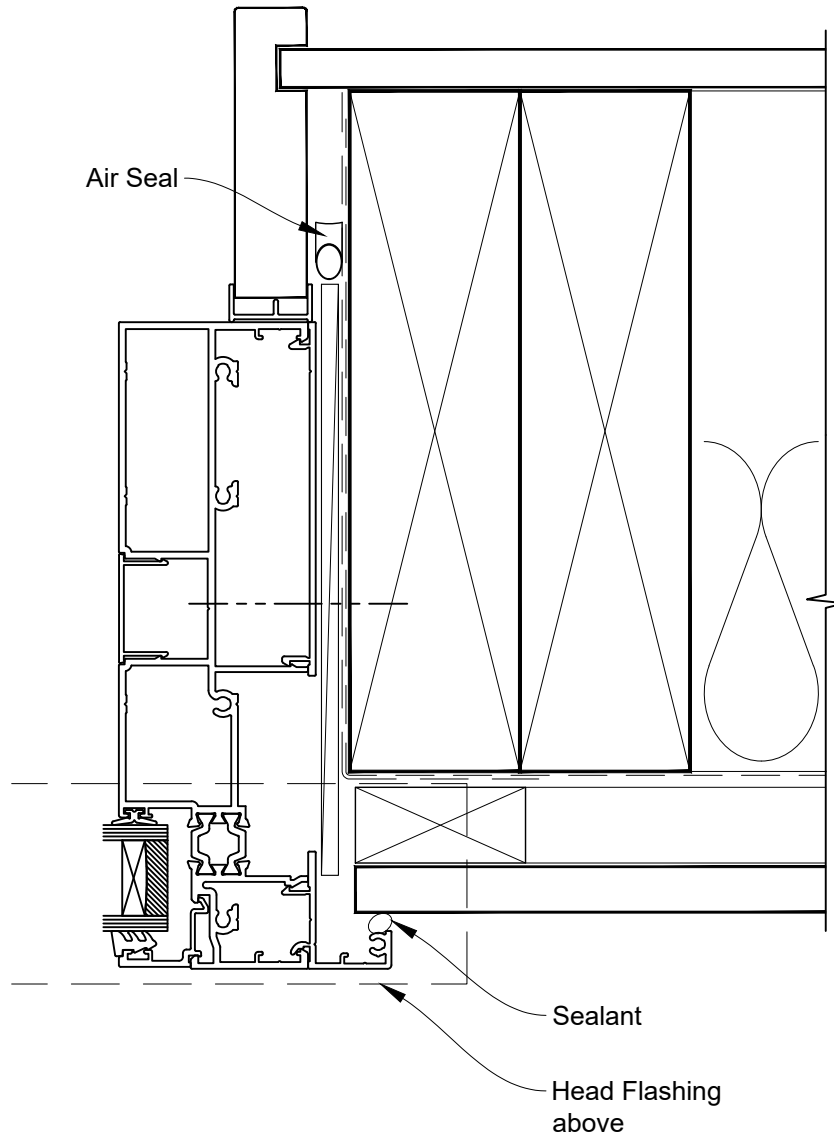


# INSTALLATION DETAIL - ARCHITECTURAL THERMAL HEART 171mm AWNING WINDOW ON FLAT SHEET CAVITY CONSTRUCTION

Date: 01.09.23

Scale: 1:2

CAD Ref.: TA171AWFS-CJ





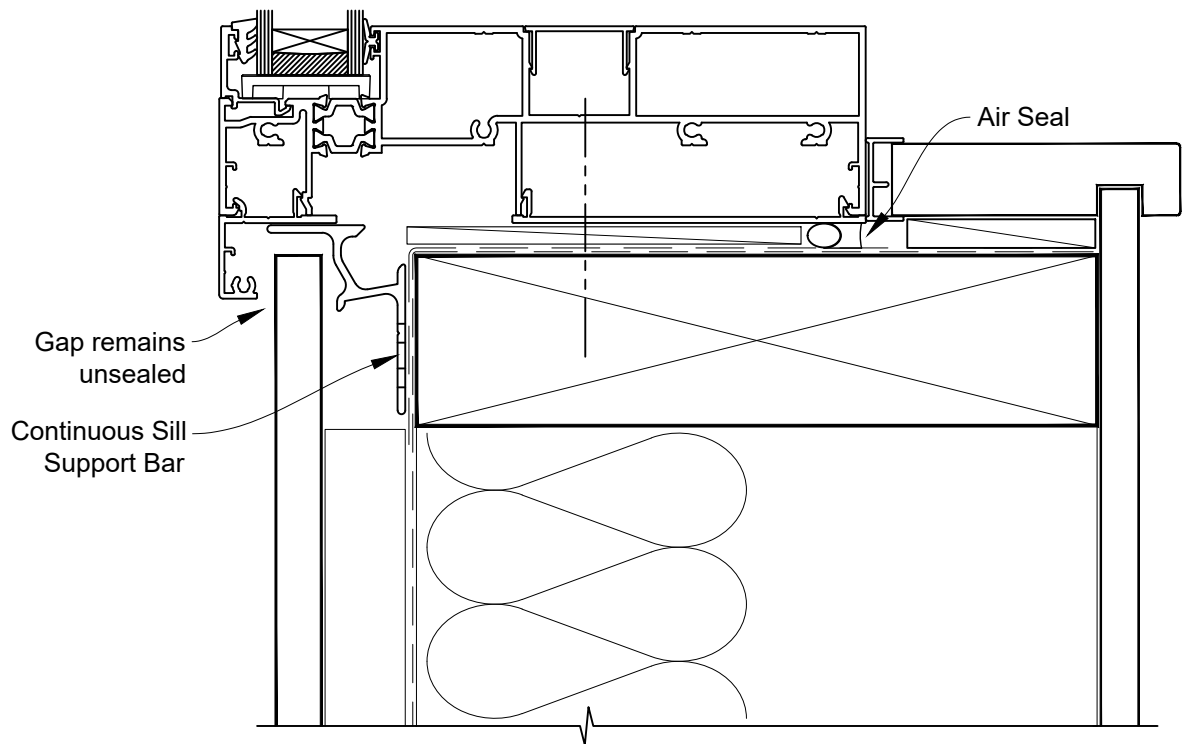
# INSTALLATION DETAIL - ARCHITECTURAL THERMAL HEART 171mm AWNING WINDOW ON FLAT SHEET CAVITY CONSTRUCTION

Date: 01.09.23

Scale: 1:2

CAD Ref.: TA171AWFS-CS

## FACING INFILL OPTION





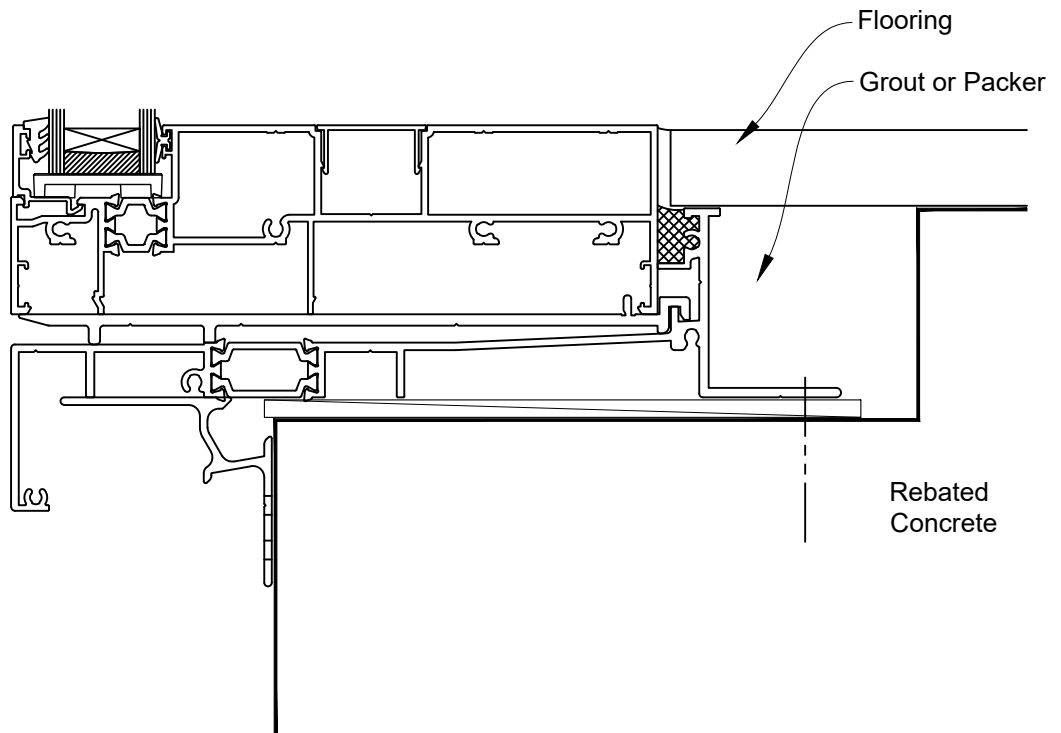
# INSTALLATION DETAIL - ARCHITECTURAL THERMAL HEART 171mm AWNING WINDOW ON FLAT SHEET CAVITY CONSTRUCTION

Date: 01.09.23

Scale: 1:2

CAD Ref.: TA171AWFS-CS2

## SILL TRAY OPTION



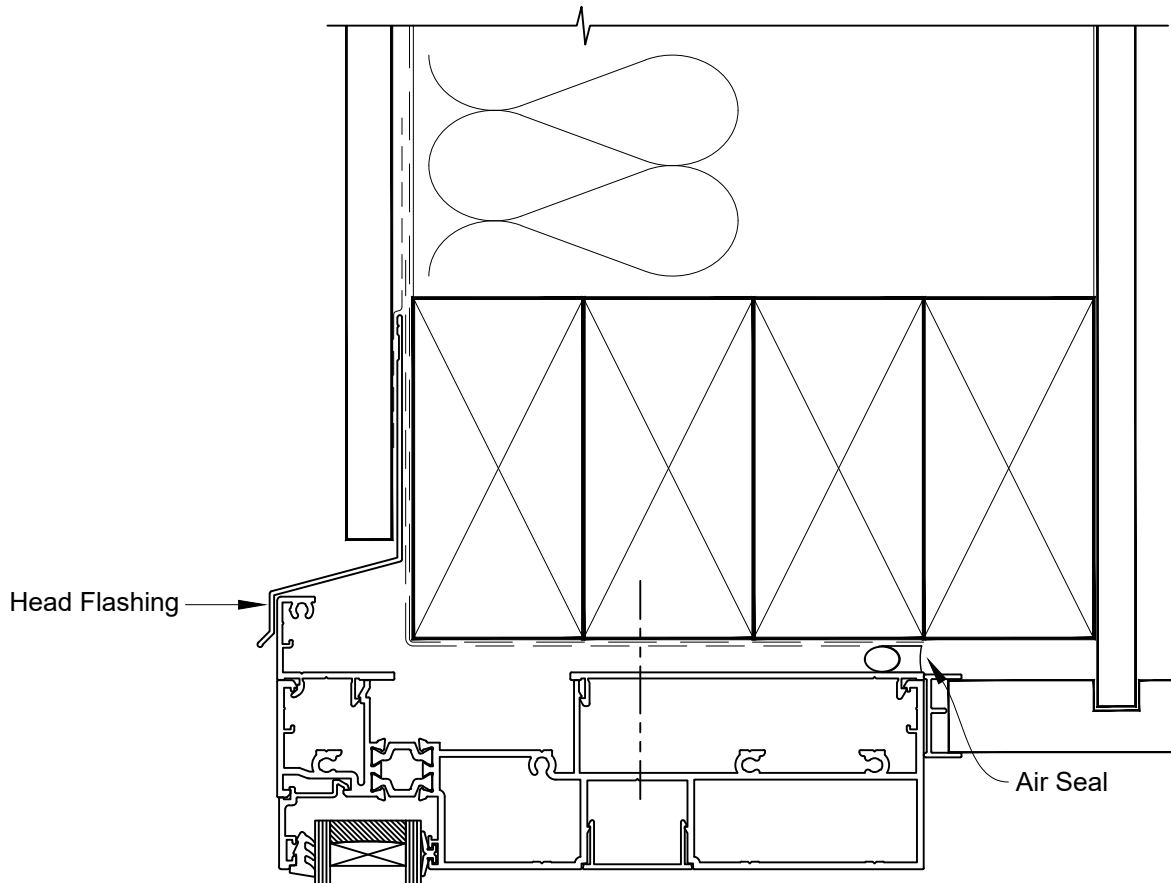


# INSTALLATION DETAIL - ARCHITECTURAL THERMAL HEART 171mm AWNING WINDOW ON FLAT SHEET DIRECT FIXED CLADDING

Date: 01.09.23

Scale: 1:2

CAD Ref.: TA171AWFS-DH



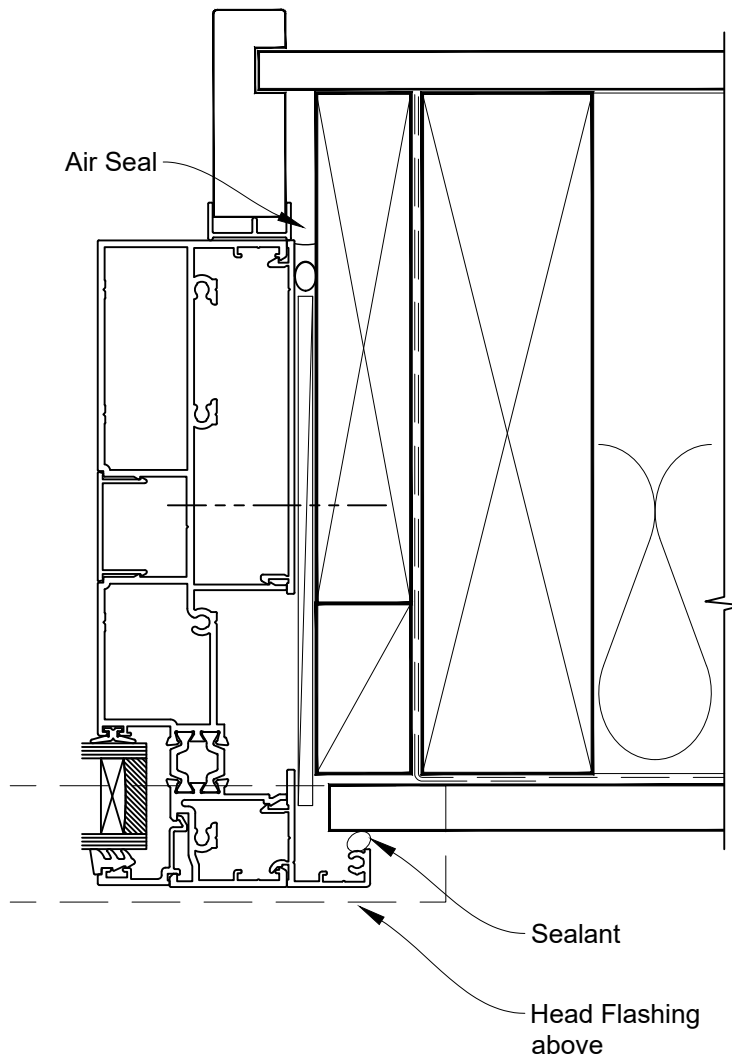


# INSTALLATION DETAIL - ARCHITECTURAL THERMAL HEART 171mm AWNING WINDOW ON FLAT SHEET DIRECT FIXED CLADDING

Date: 01.09.23

Scale: 1:2

CAD Ref.: TA171AWFS-DJ





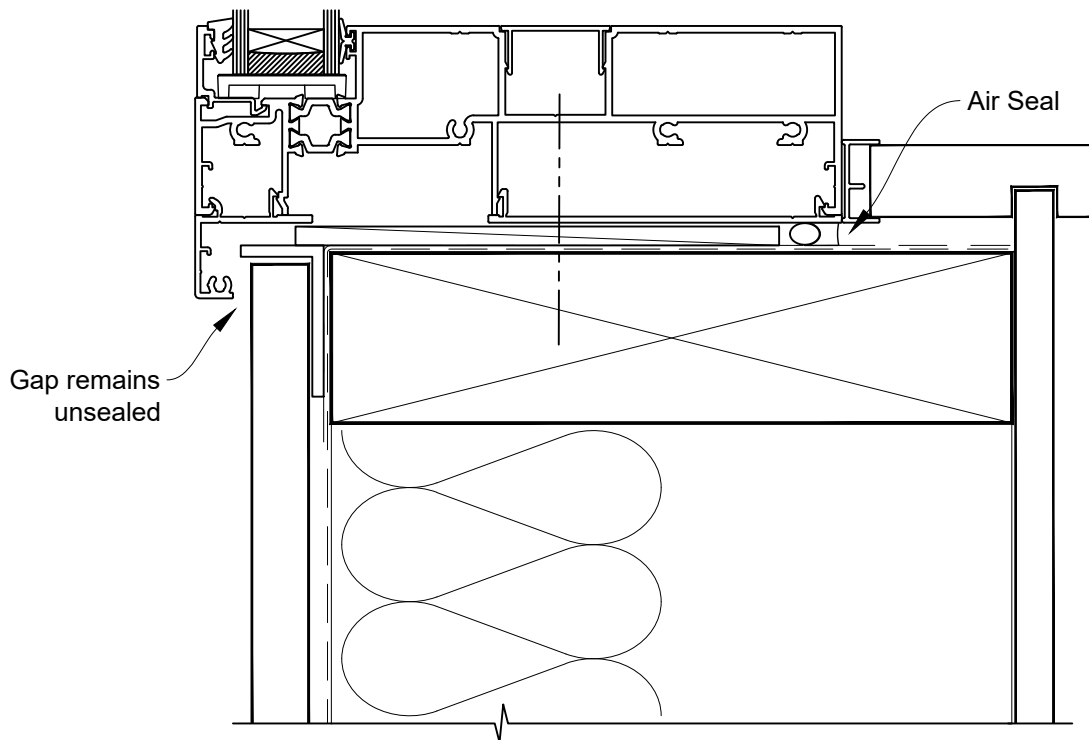
# INSTALLATION DETAIL - ARCHITECTURAL THERMAL HEART 171mm AWNING WINDOW ON FLAT SHEET DIRECT FIXED CLADDING

Date: 01.09.23

Scale: 1:2

CAD Ref.: TA171AWFS-DS

## FACING INFILL OPTION





# INSTALLATION DETAIL - ARCHITECTURAL THERMAL HEART 171mm AWNING WINDOW ON FLAT SHEET DIRECT FIXED CLADDING

Date: 01.09.23

Scale: 1:2

CAD Ref.: TA171AWFS-DS2

## SILL TRAY OPTION

