

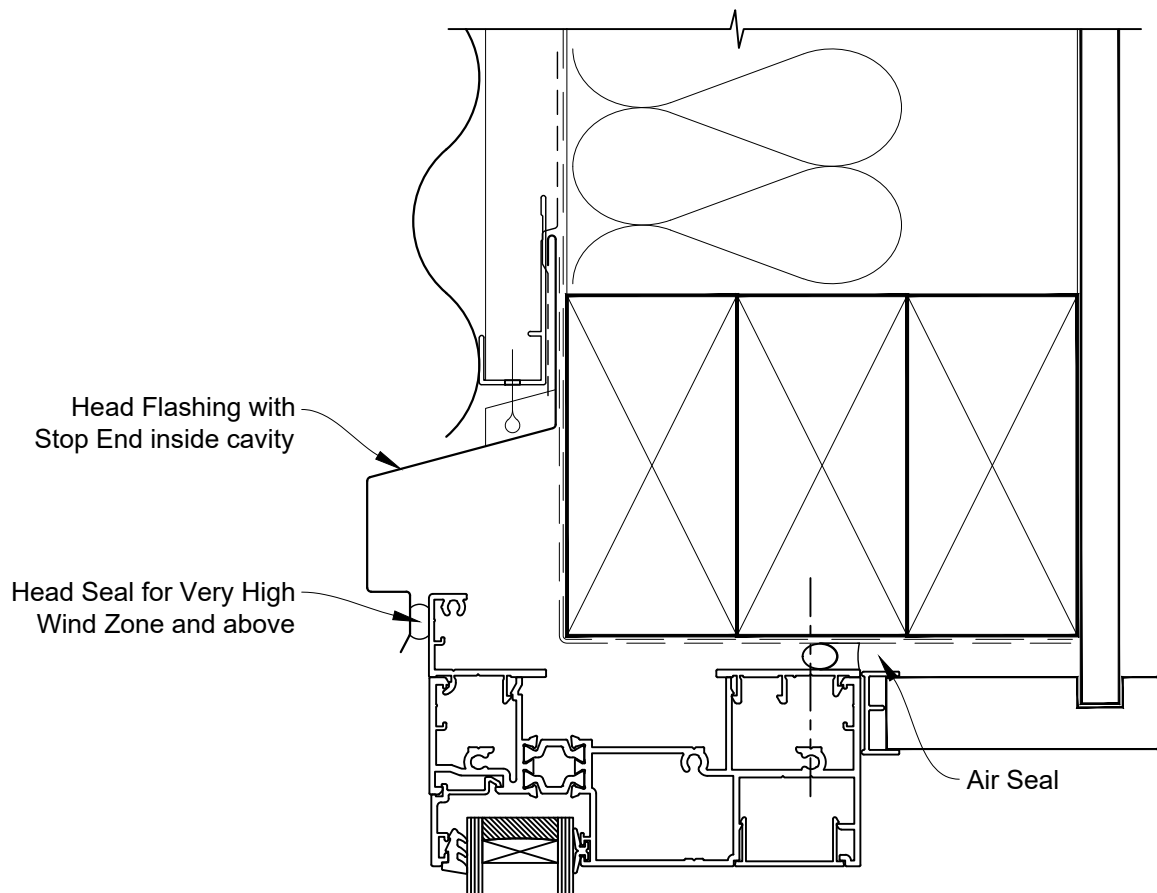


# INSTALLATION DETAIL - ARCHITECTURAL THERMAL HEART 114mm AWNING WINDOW ON PROFILE METAL CAVITY CONSTRUCTION

Date: 01.09.23

Scale: 1:2

CAD Ref.: TA114AWPM-CH



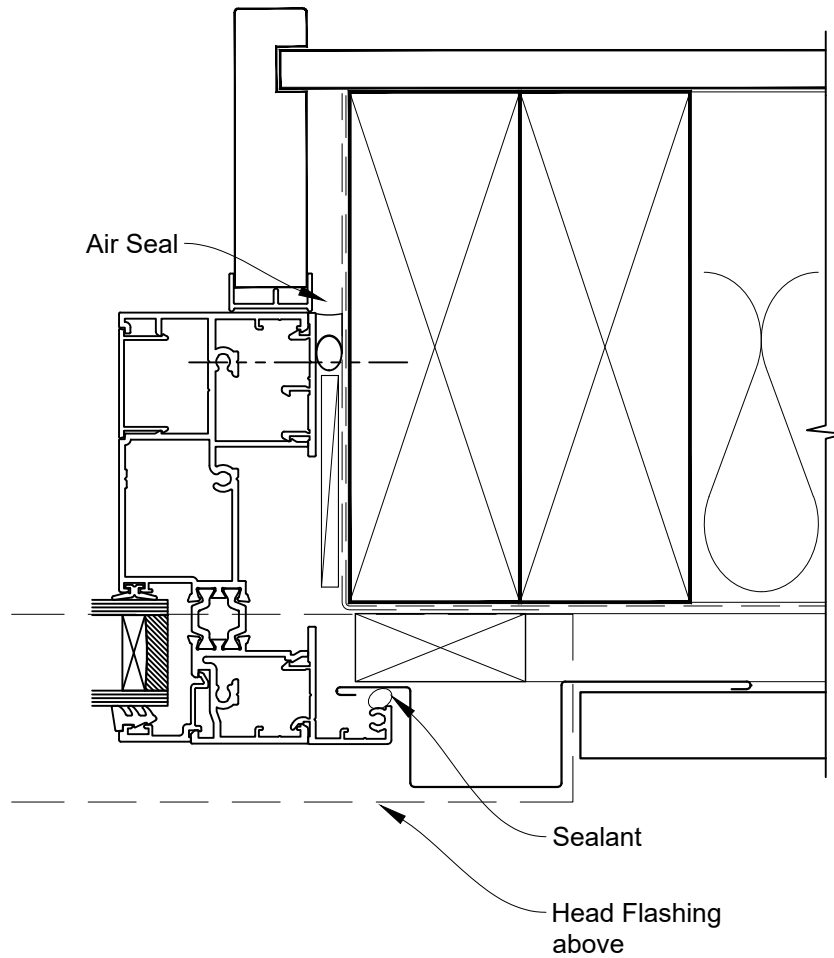


# INSTALLATION DETAIL - ARCHITECTURAL THERMAL HEART 114mm AWNING WINDOW ON PROFILE METAL CAVITY CONSTRUCTION

Date: 01.09.23

Scale: 1:2

CAD Ref.: TA114AWPM-CJ





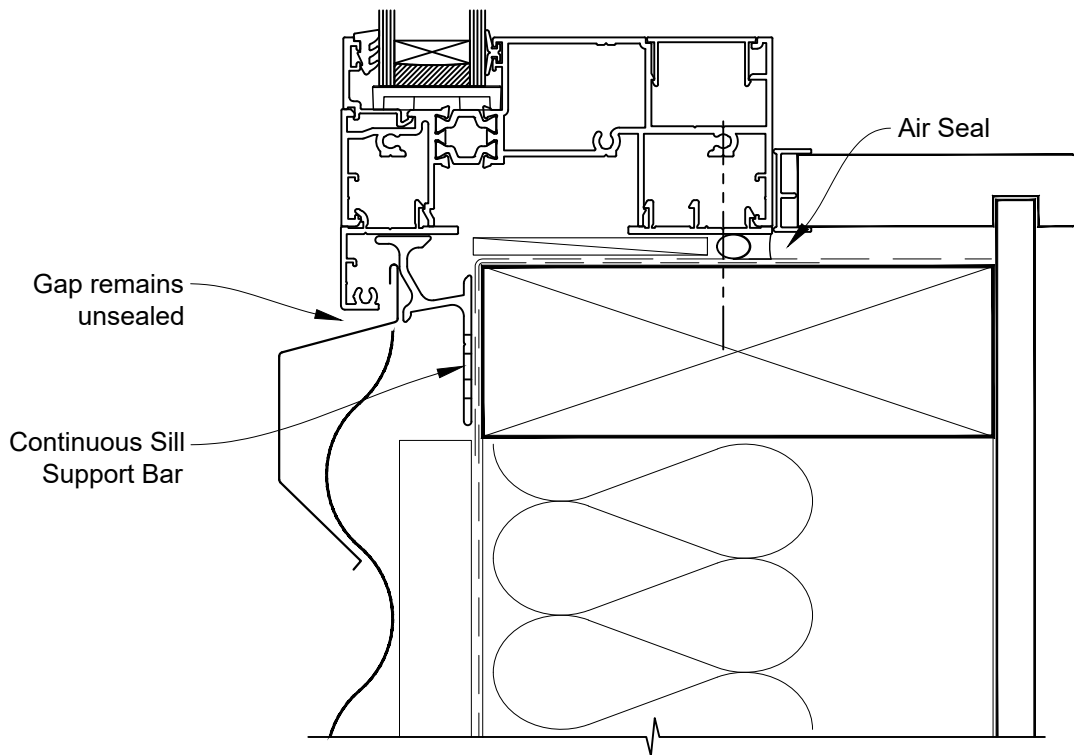
# INSTALLATION DETAIL - ARCHITECTURAL THERMAL HEART 114mm AWNING WINDOW ON PROFILE METAL CAVITY CONSTRUCTION

Date: 01.09.23

Scale: 1:2

CAD Ref.: TA114AWPM-CS

## FACING INFILL OPTION





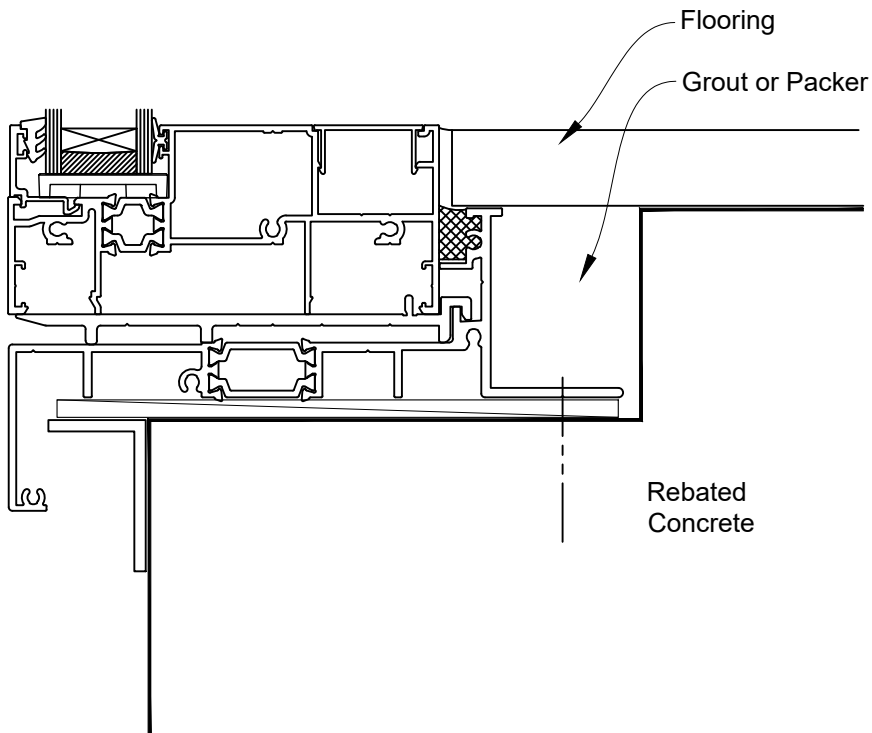
# INSTALLATION DETAIL - ARCHITECTURAL THERMAL HEART 114mm AWNING WINDOW ON PROFILE METAL CAVITY CONSTRUCTION

Date: 01.09.23

Scale: 1:2

CAD Ref.: TA114AWPM-CS2

## SILL TRAY OPTION





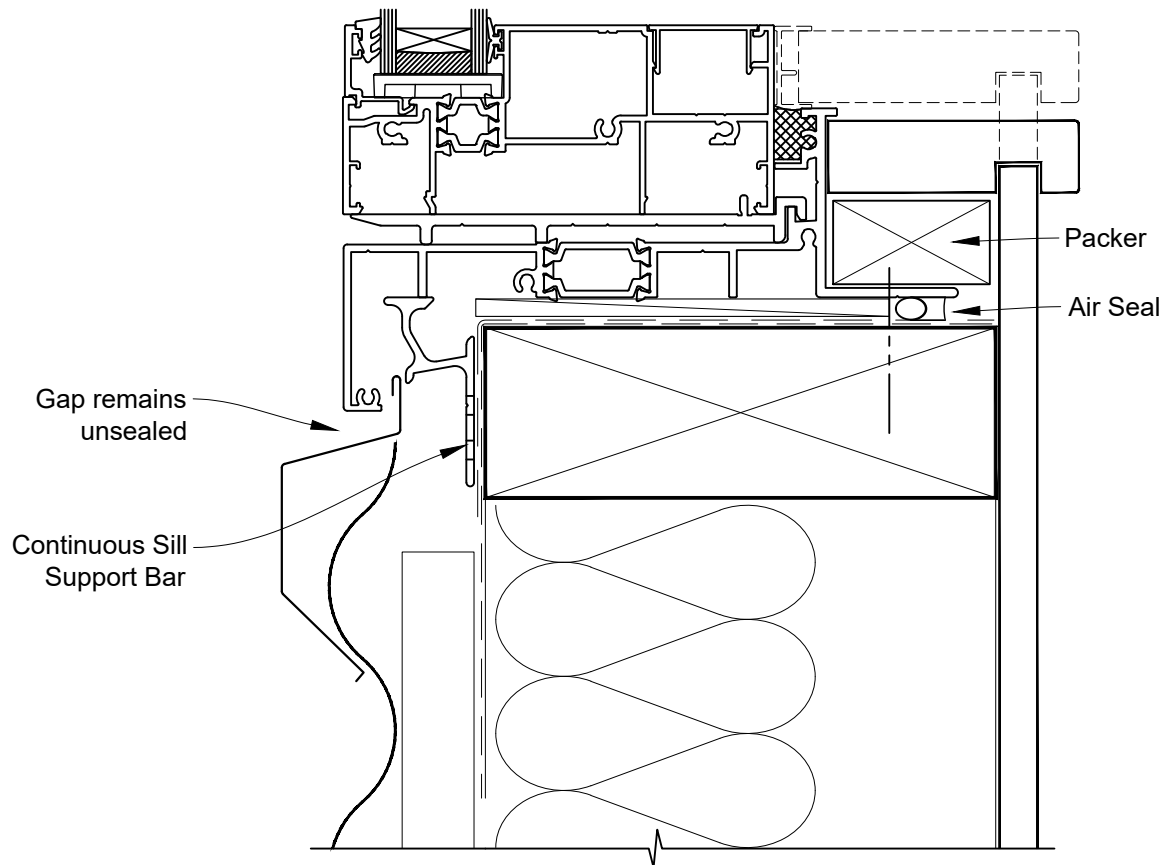
# INSTALLATION DETAIL - ARCHITECTURAL THERMAL HEART 114mm AWNING WINDOW ON PROFILE METAL CAVITY CONSTRUCTION

Date: 01.09.23

Scale: 1:2

CAD Ref.: TA114AWPM-CS3

## SILL TRAY OPTION



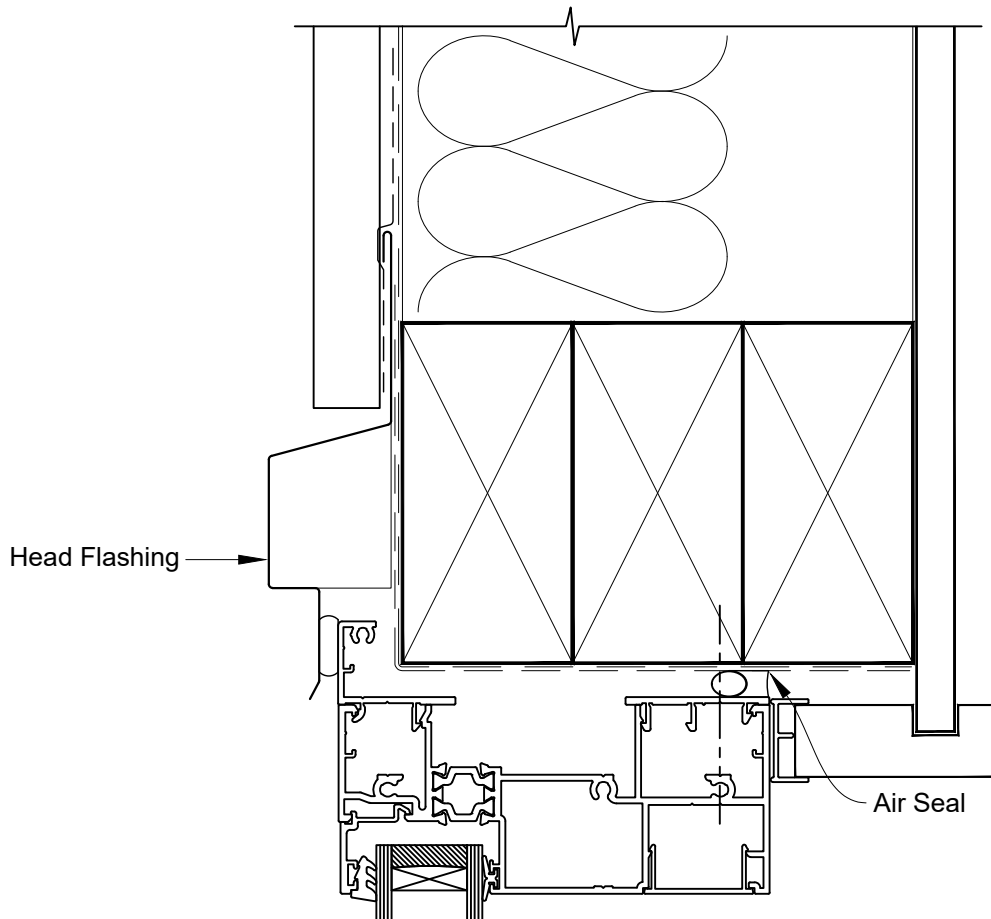


# INSTALLATION DETAIL - ARCHITECTURAL THERMAL HEART 114mm AWNING WINDOW ON PROFILE METAL DIRECT FIXED CLADDING

Date: 01.09.23

Scale: 1:2

CAD Ref.: TA114AWPM-DH



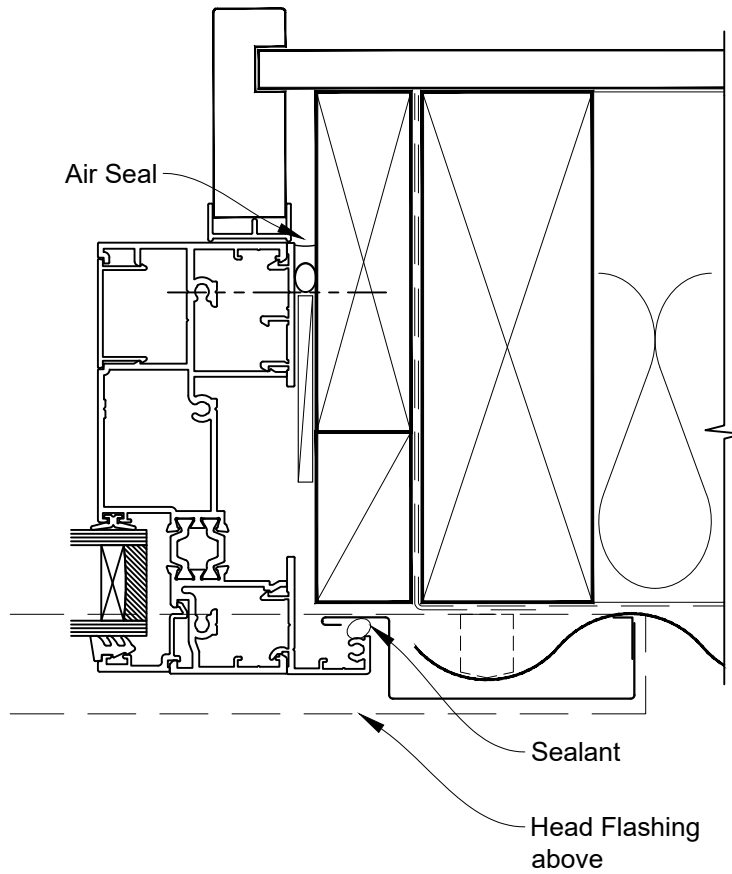


# INSTALLATION DETAIL - ARCHITECTURAL THERMAL HEART 114mm AWNING WINDOW ON PROFILE METAL DIRECT FIXED CLADDING

Date: 01.09.23

Scale: 1:2

CAD Ref.: TA114AWPM-DJ





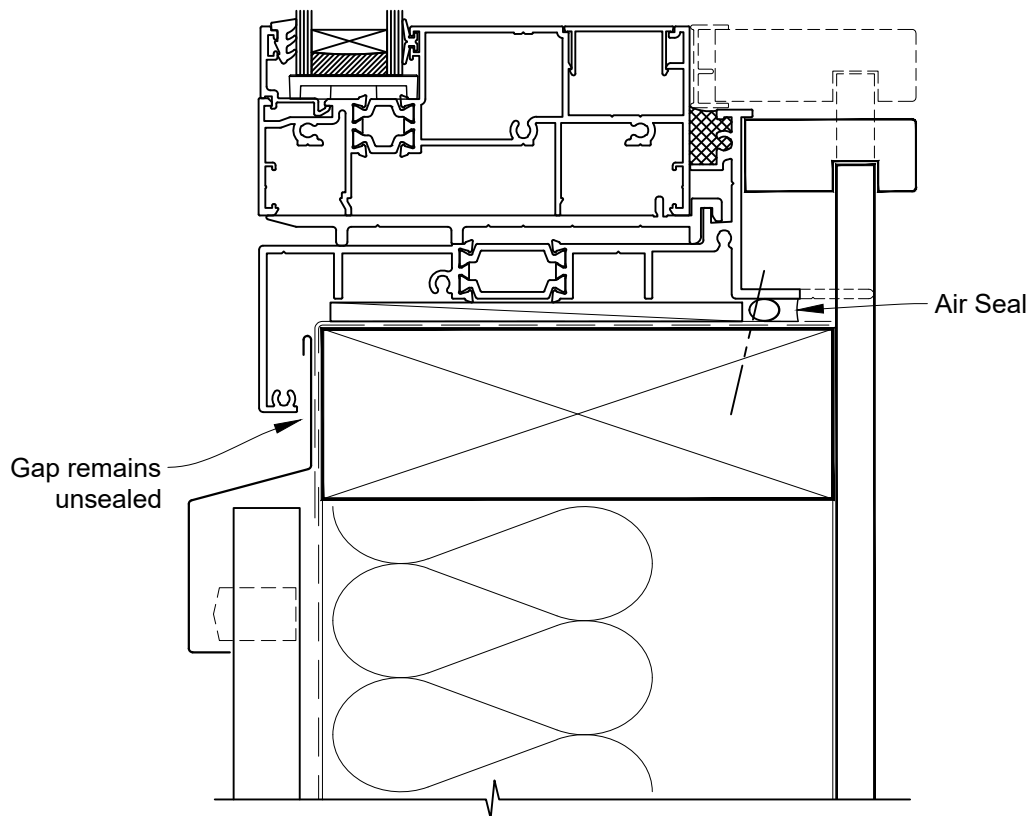
# INSTALLATION DETAIL - ARCHITECTURAL THERMAL HEART 114mm AWNING WINDOW ON PROFILE METAL DIRECT FIXED CLADDING

Date: 01.09.23

Scale: 1:2

CAD Ref.: TA114AWPM-DS

## SILL TRAY OPTION







# INSTALLATION DETAIL - ARCHITECTURAL THERMAL HEART 114mm AWNING WINDOW ON PROFILE METAL DIRECT FIXED CLADDING

Date: 01.09.23

Scale: 1:2

CAD Ref.: TA114AWPM-DS2

## FACING INFILL OPTION

