

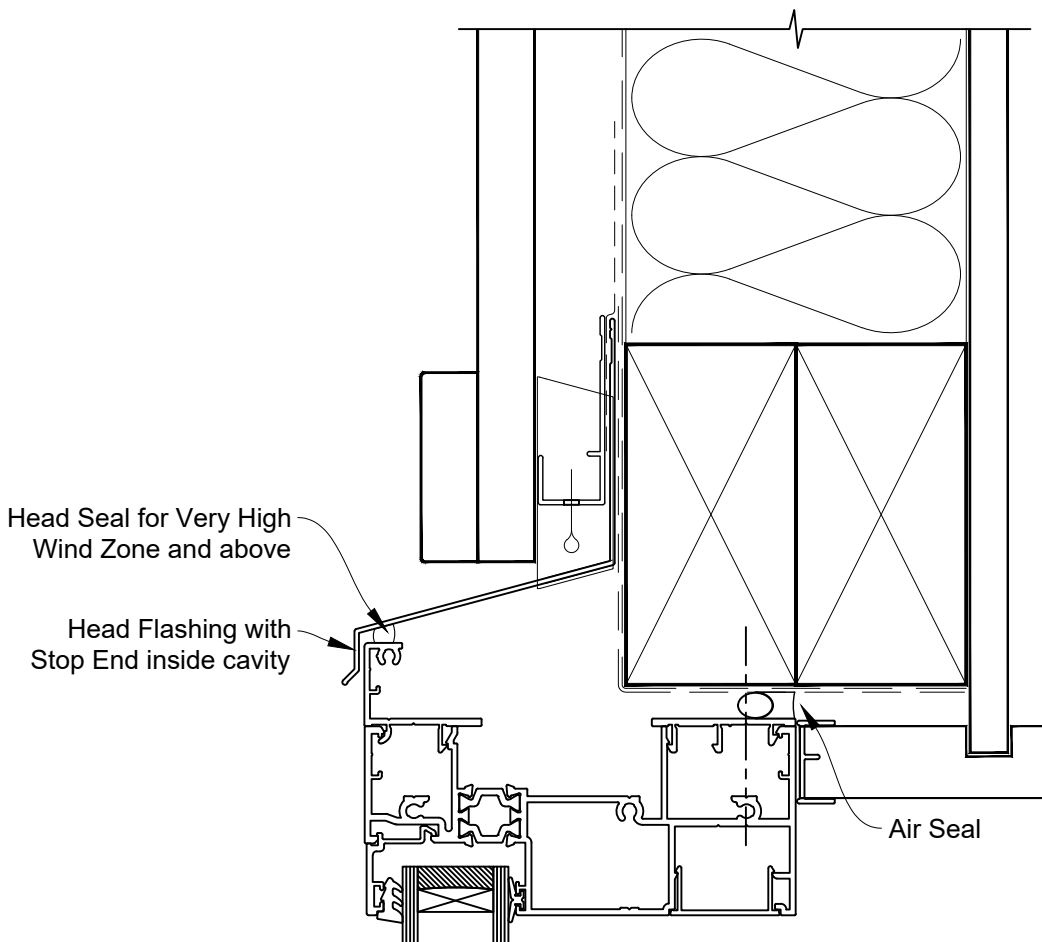


# INSTALLATION DETAIL - ARCHITECTURAL THERMAL HEART 114mm AWNING WINDOW ON BOARD & BATTEN CAVITY CONSTRUCTION

Date: 01.09.23

Scale: 1:2

CAD Ref.: TA114AWBB-CH



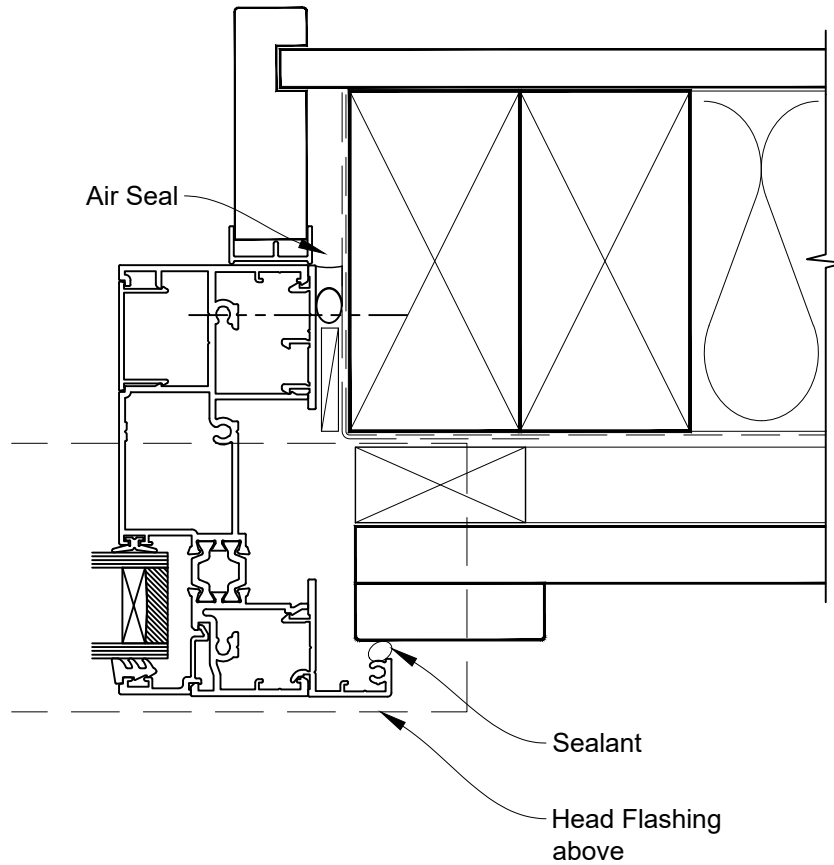


# INSTALLATION DETAIL - ARCHITECTURAL THERMAL HEART 114mm AWNING WINDOW ON BOARD & BATTEN CAVITY CONSTRUCTION

Date: 01.09.23

Scale: 1:2

CAD Ref.: TA114AWBB-CJ





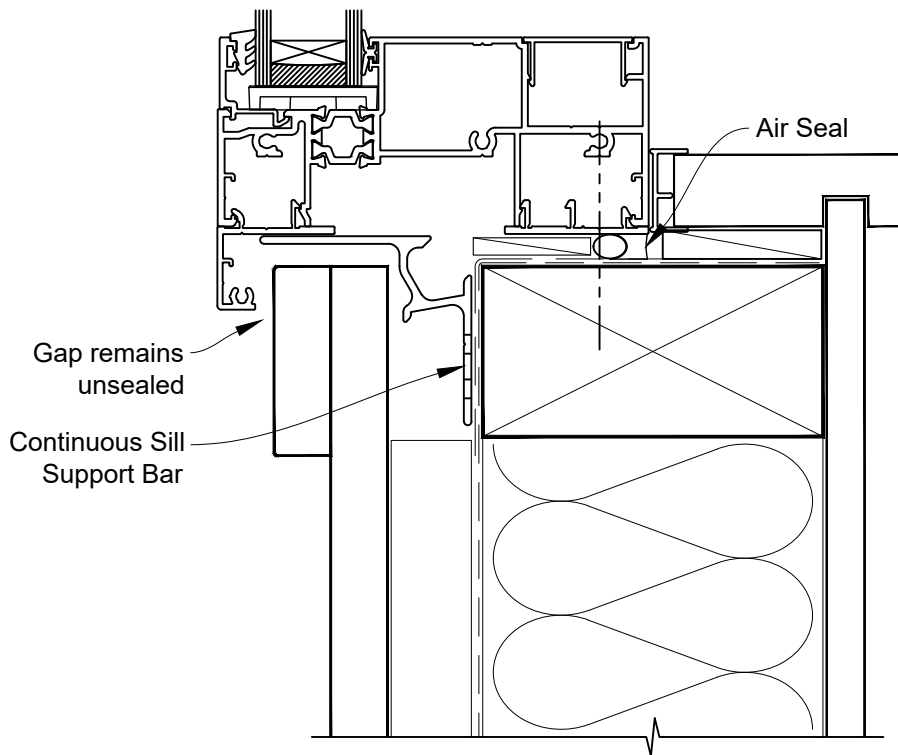
# INSTALLATION DETAIL - ARCHITECTURAL THERMAL HEART 114mm AWNING WINDOW ON BOARD & BATTEN CAVITY CONSTRUCTION

Date: 01.09.23

Scale: 1:2

CAD Ref.: TA114AWBB-CS

## FACING INFILL OPTION





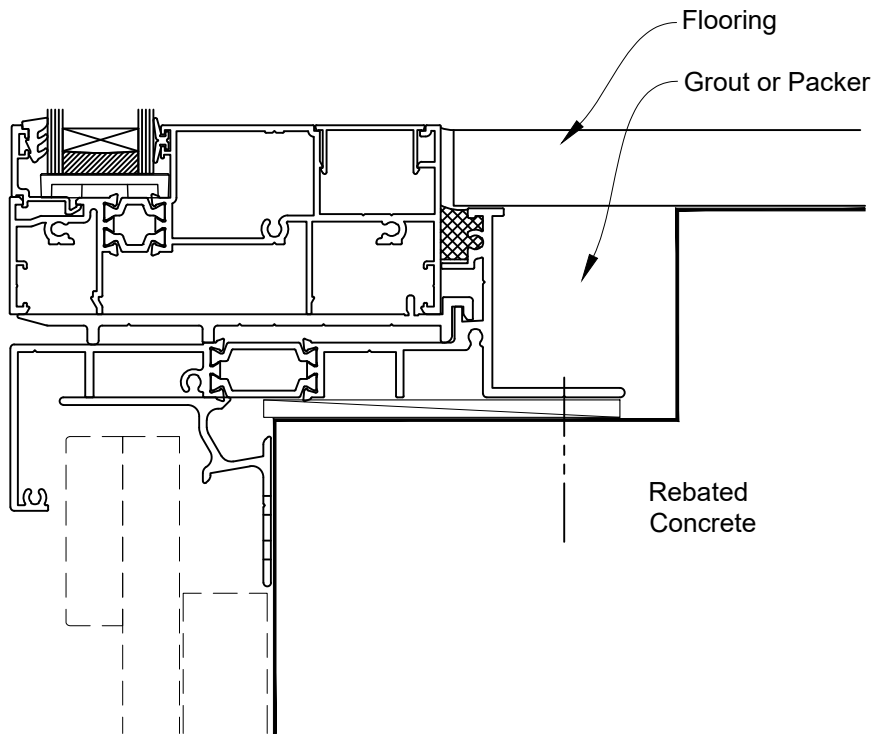
# INSTALLATION DETAIL - ARCHITECTURAL THERMAL HEART 114mm AWNING WINDOW ON BOARD & BATTEN CAVITY CONSTRUCTION

Date: 01.09.23

Scale: 1:2

CAD Ref.: TA114AWBB-CS2

## SILL TRAY OPTION





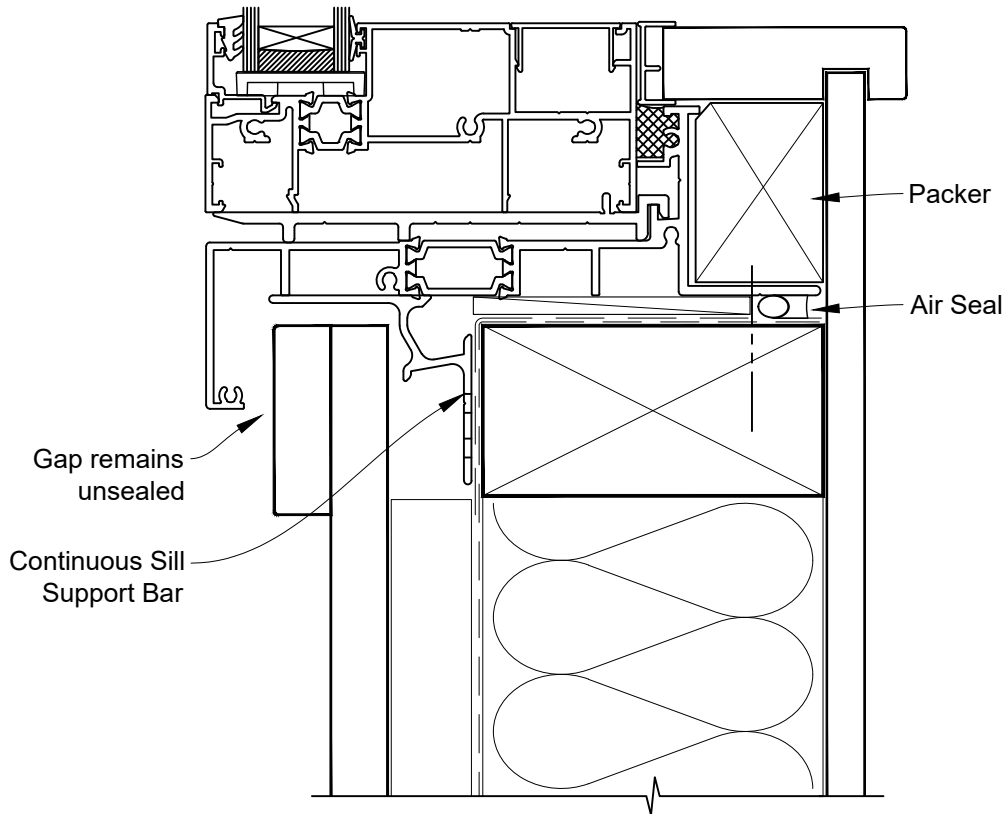
# INSTALLATION DETAIL - ARCHITECTURAL THERMAL HEART 114mm AWNING WINDOW ON BOARD & BATTEN CAVITY CONSTRUCTION

Date: 01.09.23

Scale: 1:2

CAD Ref.: TA114AWBB-CS3

## SILL TRAY OPTION



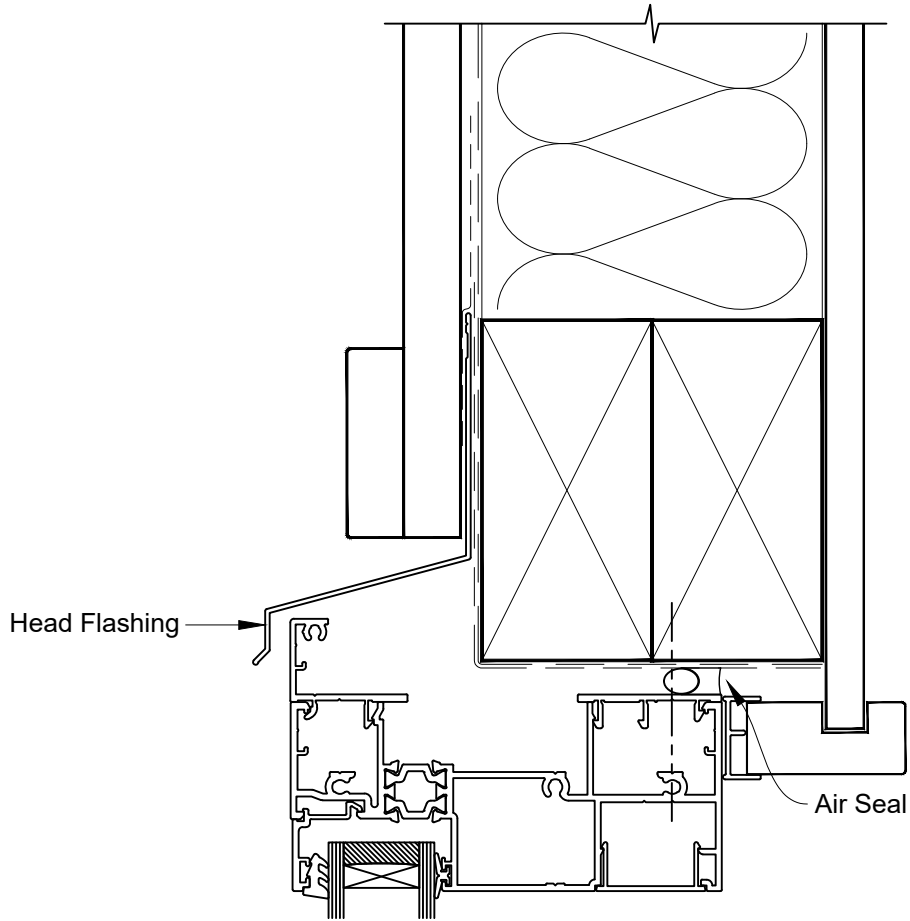


# INSTALLATION DETAIL - ARCHITECTURAL THERMAL HEART 114mm AWNING WINDOW ON BOARD & BATTEN DIRECT FIXED CLADDING

Date: 01.09.23

Scale: 1:2

CAD Ref.: TA114AWBB-DH



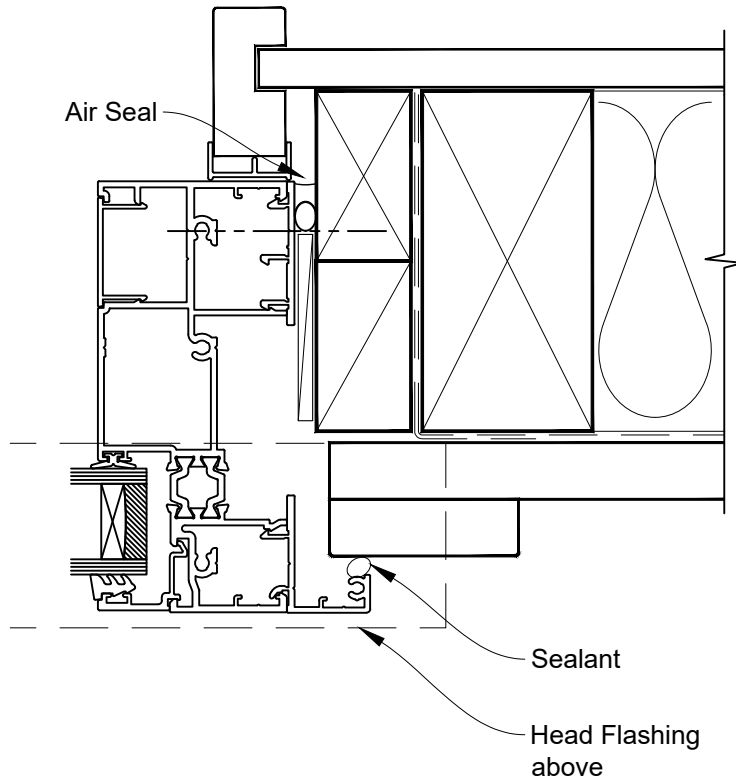


# INSTALLATION DETAIL - ARCHITECTURAL THERMAL HEART 114mm AWNING WINDOW ON BOARD & BATTEN DIRECT FIXED CLADDING

Date: 01.09.23

Scale: 1:2

CAD Ref.: TA114AWBB-DJ





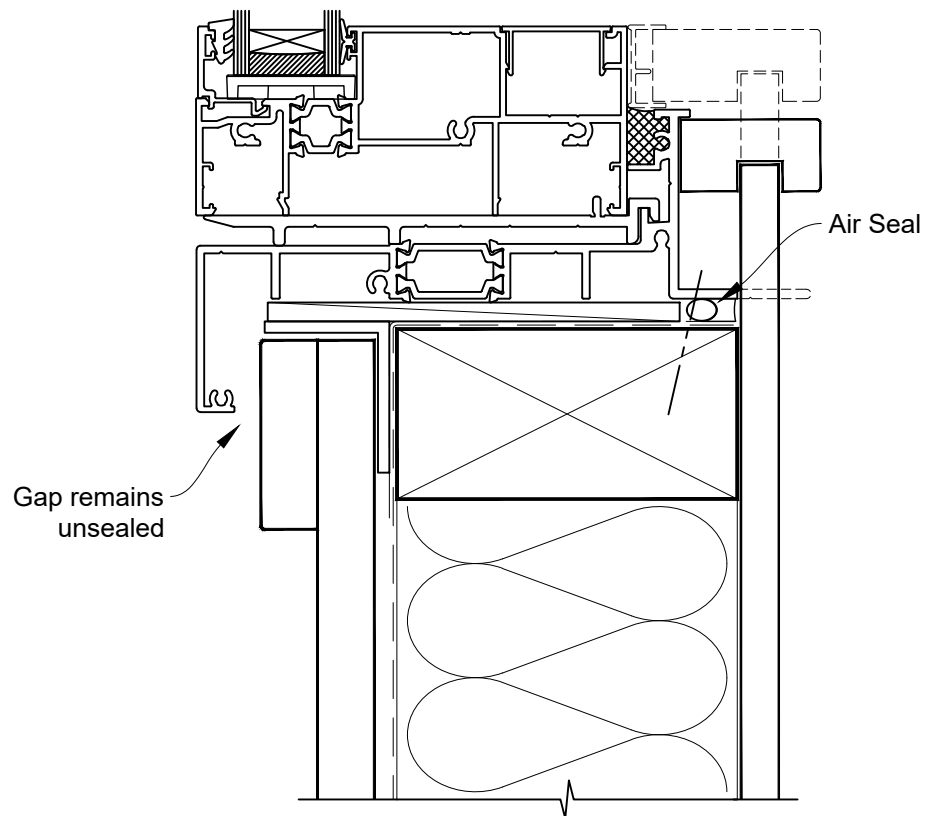
# INSTALLATION DETAIL - ARCHITECTURAL THERMAL HEART 114mm AWNING WINDOW ON BOARD & BATTEN DIRECT FIXED CLADDING

Date: 01.09.23

Scale: 1:2

CAD Ref.: TA114AWBB-DS

## SILL TRAY OPTION







# INSTALLATION DETAIL - ARCHITECTURAL THERMAL HEART 114mm AWNING WINDOW ON BOARD & BATTEN DIRECT FIXED CLADDING

Date: 01.09.23

Scale: 1:2

CAD Ref.: TA114AWBB-DS2

## FACING INFILL OPTION

