

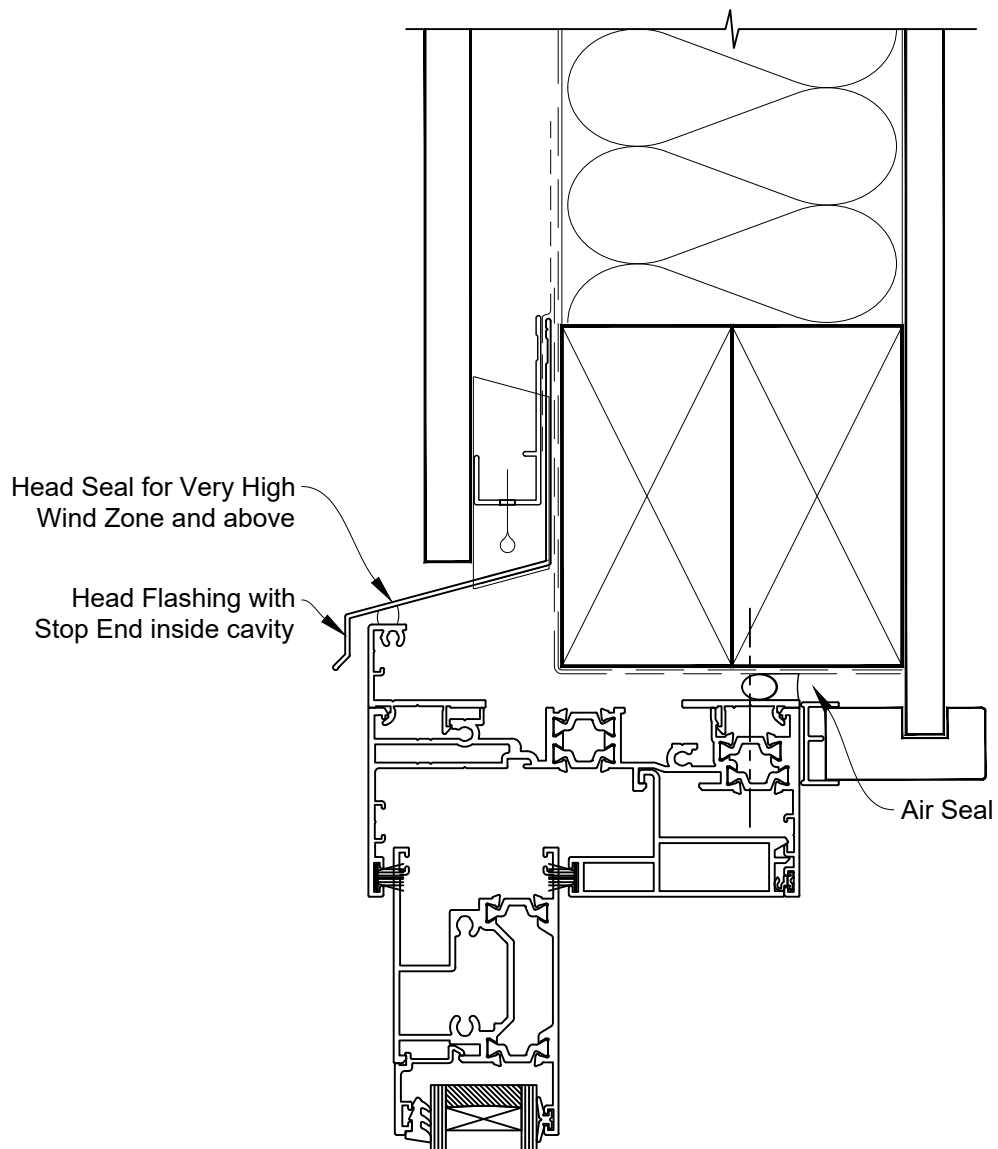


INSTALLATION DETAIL - ARCHITECTURAL THERMAL HEART 114mm SLIDING DOOR ON FLAT SHEET CAVITY CONSTRUCTION

Date: 01.09.23

Scale: 1:2

CAD Ref.: TA114SDFS-CH



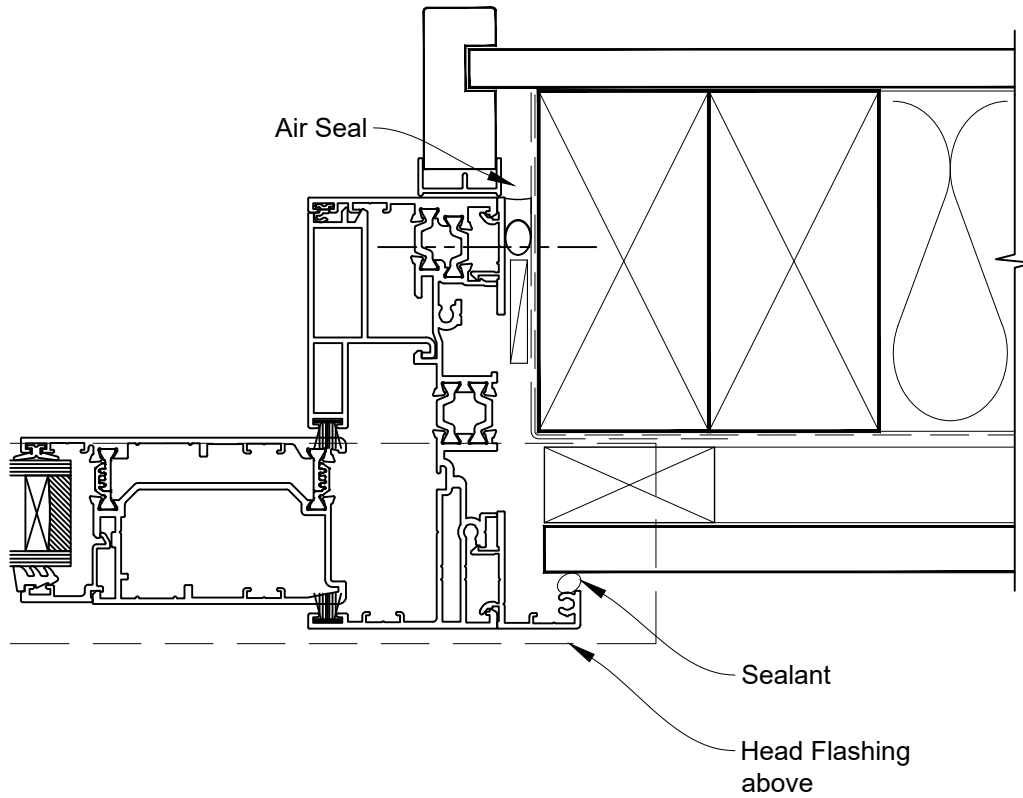


INSTALLATION DETAIL - ARCHITECTURAL THERMAL HEART 114mm SLIDING DOOR ON FLAT SHEET CAVITY CONSTRUCTION

Date: 01.09.23

Scale: 1:2

CAD Ref.: TA114SDFS-CJ





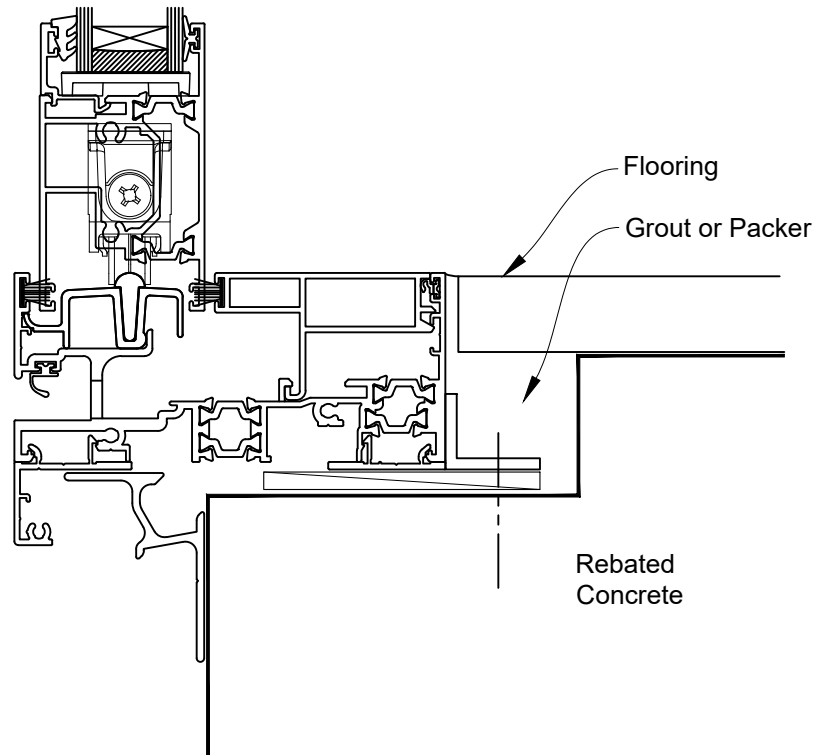
INSTALLATION DETAIL - ARCHITECTURAL THERMAL HEART 114mm SLIDING DOOR ON FLAT SHEET CAVITY CONSTRUCTION

Date: 01.09.23

Scale: 1:2

CAD Ref.: TA114SDFS-CS

FACING INFILL OPTION





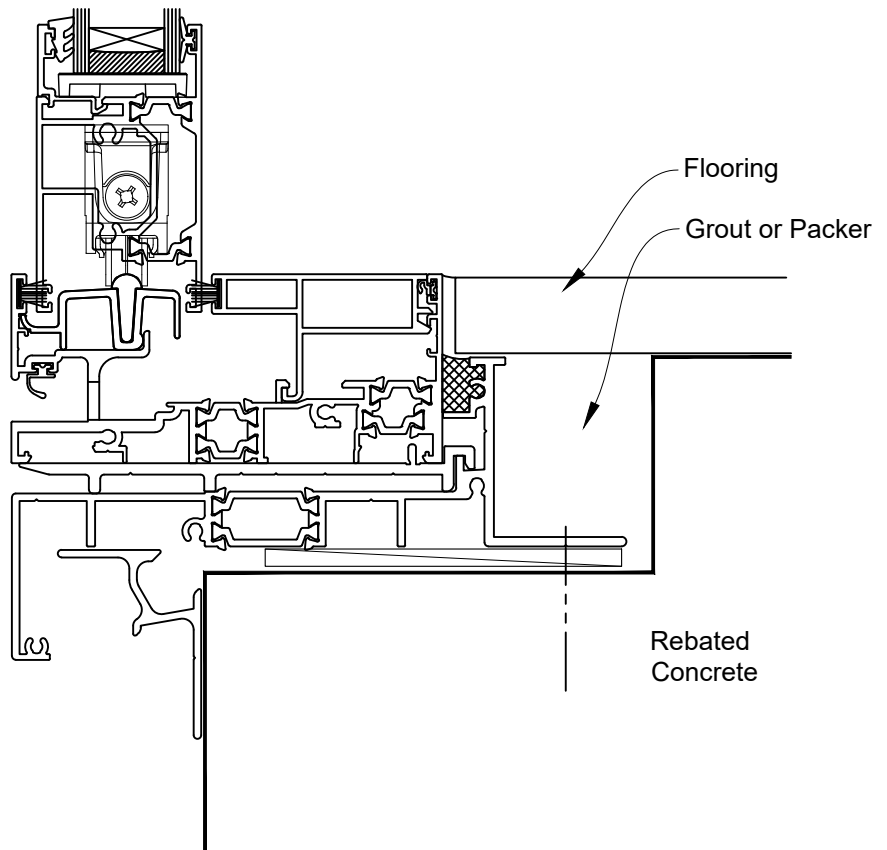
INSTALLATION DETAIL - ARCHITECTURAL THERMAL HEART 114mm SLIDING DOOR ON FLAT SHEET CAVITY CONSTRUCTION

Date: 01.09.23

Scale: 1:2

CAD Ref.: TA114SDFS-CS2

SILL TRAY OPTION



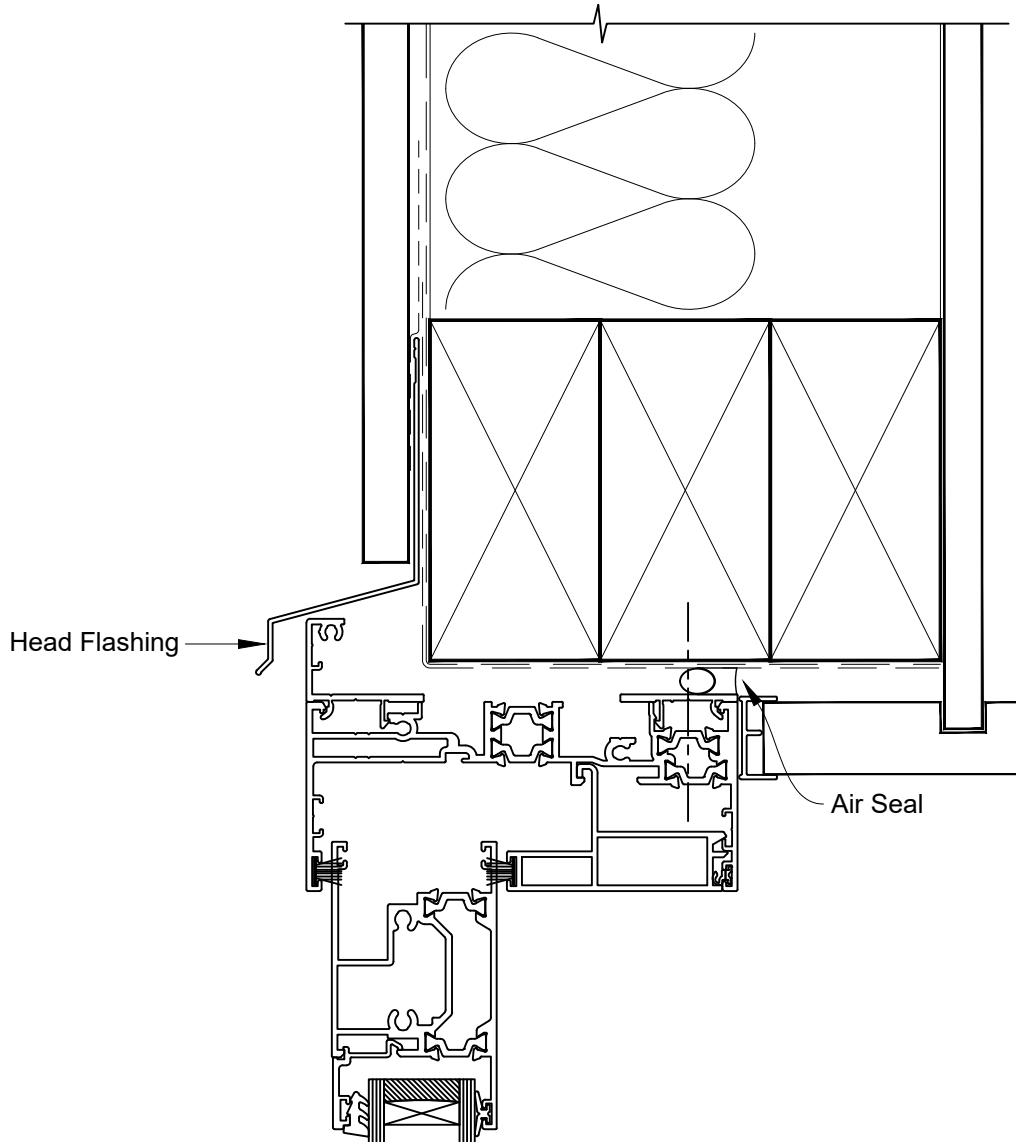


INSTALLATION DETAIL - ARCHITECTURAL THERMAL HEART 114mm SLIDING DOOR ON FLAT SHEET DIRECT FIXED CLADDING

Date: 01.09.23

Scale: 1:2

CAD Ref.: TA114SDFS-DH



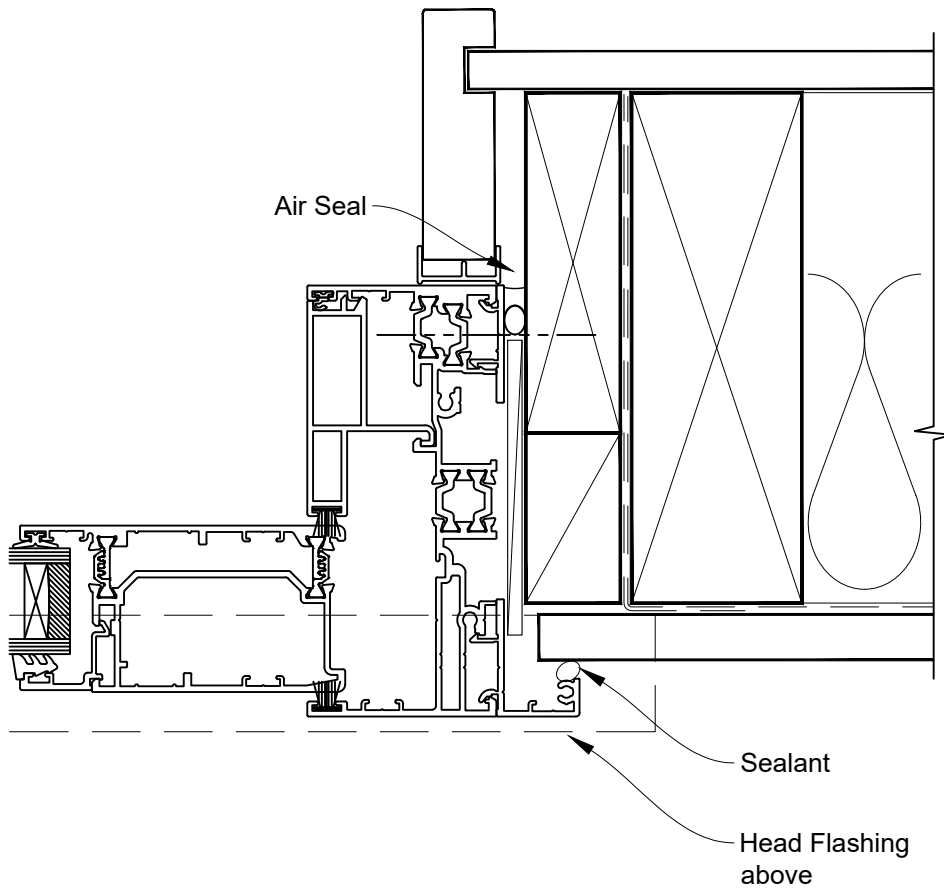


INSTALLATION DETAIL - ARCHITECTURAL THERMAL HEART 114mm SLIDING DOOR ON FLAT SHEET DIRECT FIXED CLADDING

Date: 01.09.23

Scale: 1:2

CAD Ref.: TA114SDFS-DJ





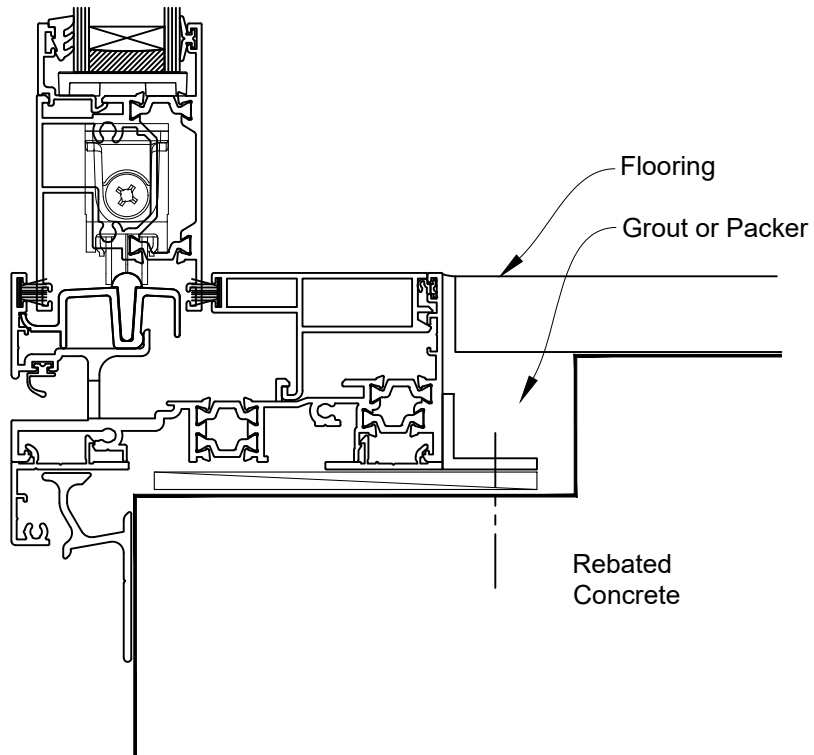
INSTALLATION DETAIL - ARCHITECTURAL THERMAL HEART 114mm SLIDING DOOR ON FLAT SHEET DIRECT FIXED CLADDING

Date: 01.09.23

Scale: 1:2

CAD Ref.: TA114SDFS-DS

SILL TRAY OPTION





INSTALLATION DETAIL - ARCHITECTURAL THERMAL HEART 114mm SLIDING DOOR ON FLAT SHEET DIRECT FIXED CLADDING

Date: 01.09.23

Scale: 1:2

CAD Ref.: TA114SDFS-DS2

FACING INFILL OPTION

