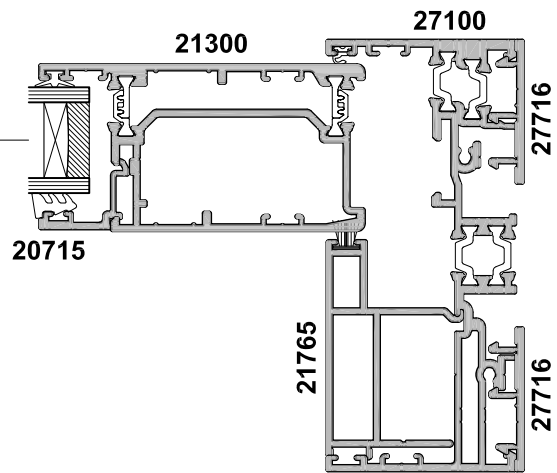


SECTION A-A



FLAT INFILL OPTION