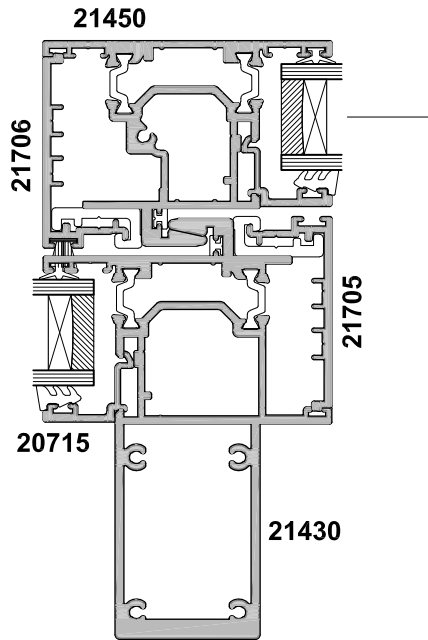
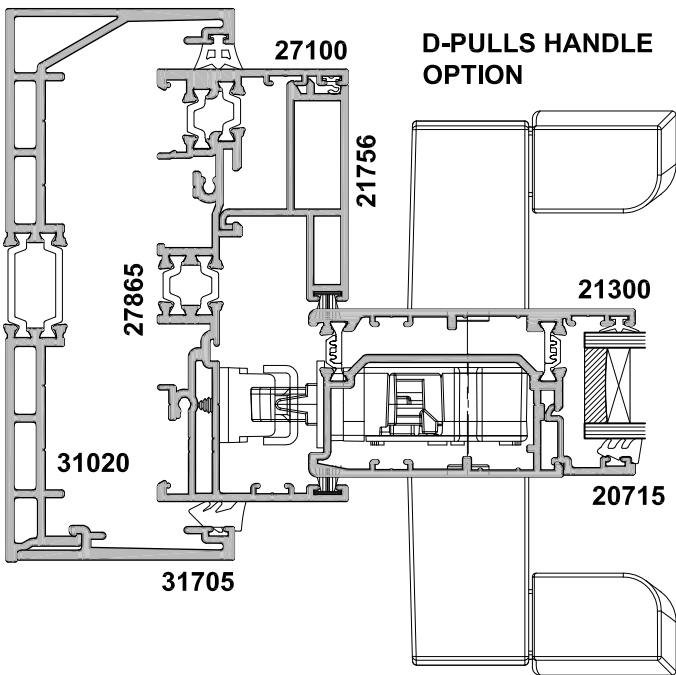


**SEISMIC JAMB  
EXTERNALLY  
BEADED OPTION**



**SECTION A-A**

