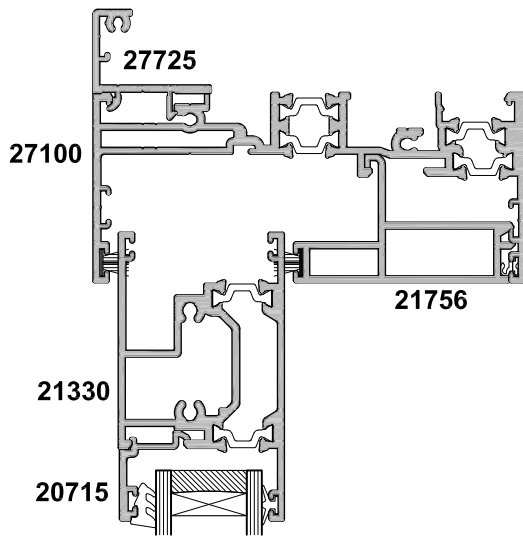
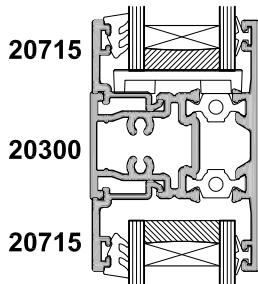
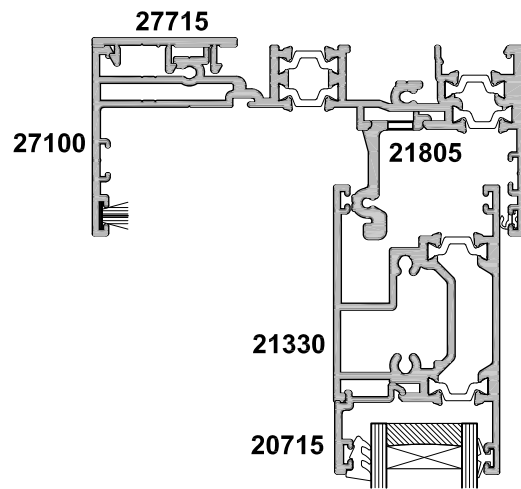


**FLANGE INFILL
OPTION**

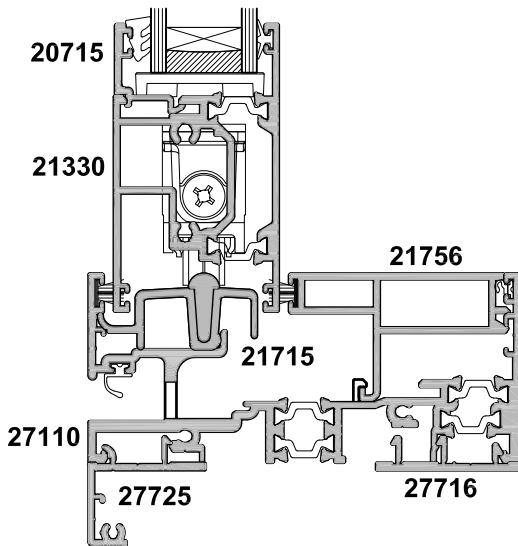
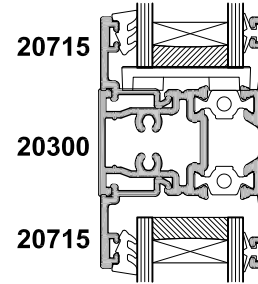


FLAT INFILL OPTION

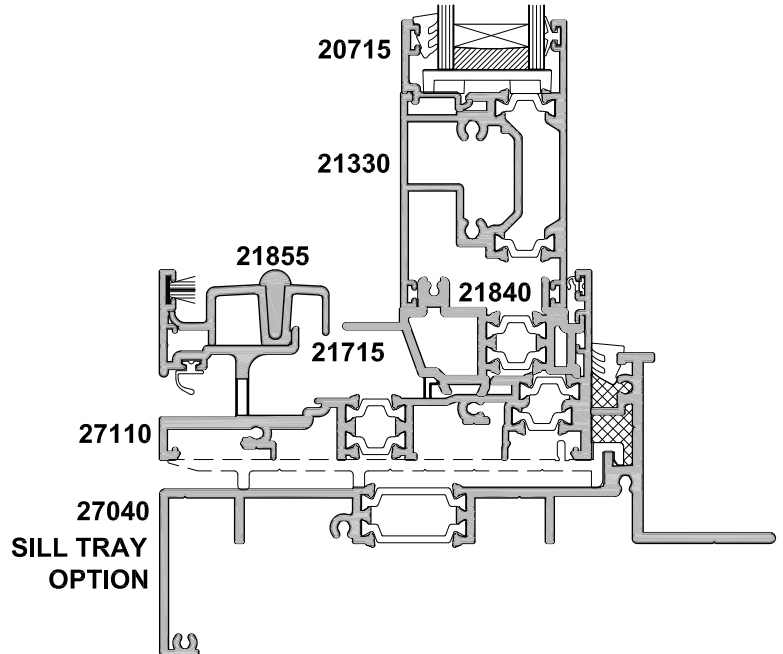


SECTION A-A

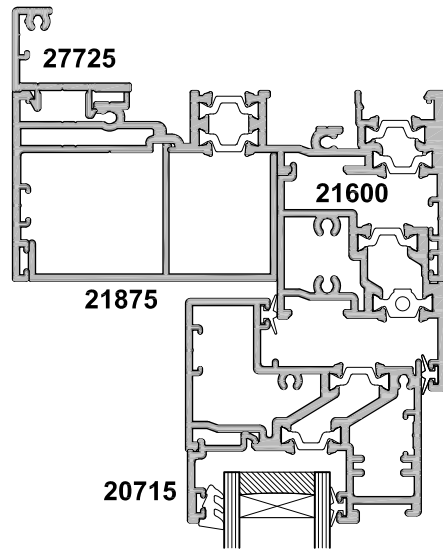
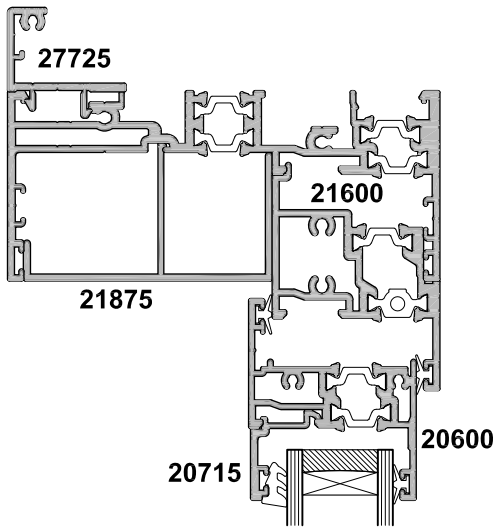
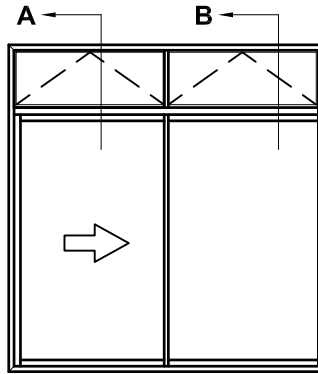
SECTION B-B



**FLANGE INFILL
OPTION**



**27040
SILL TRAY
OPTION**

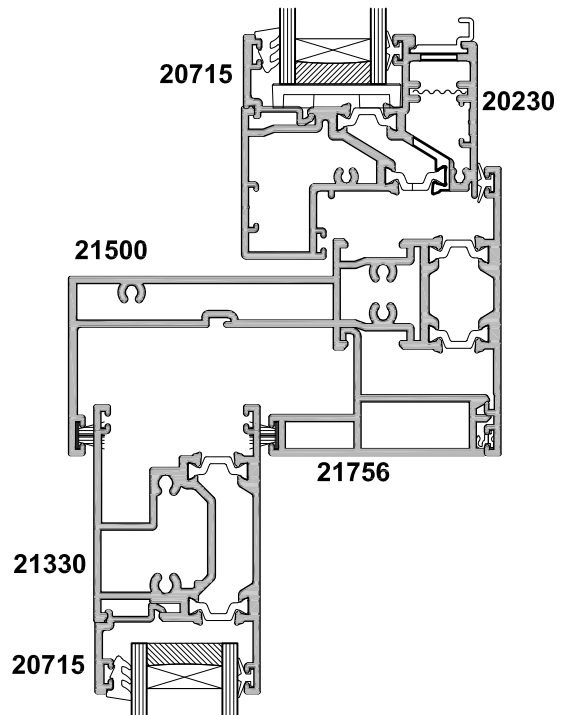
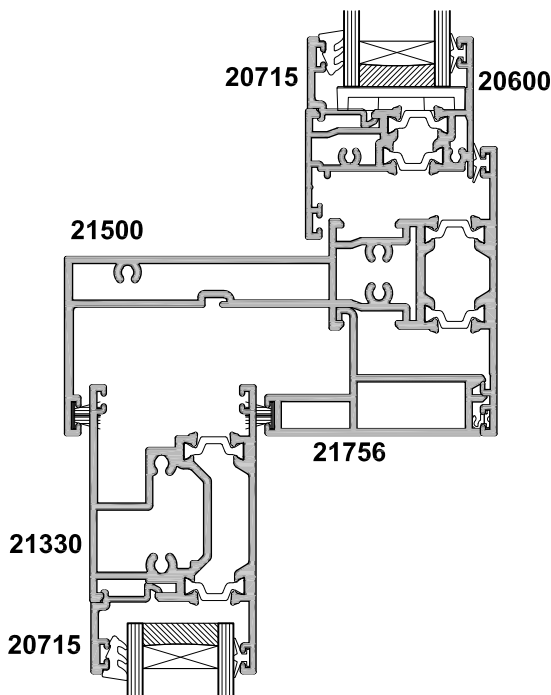


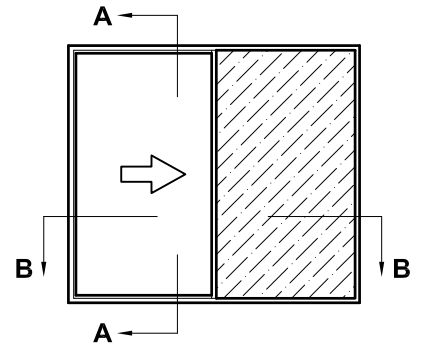
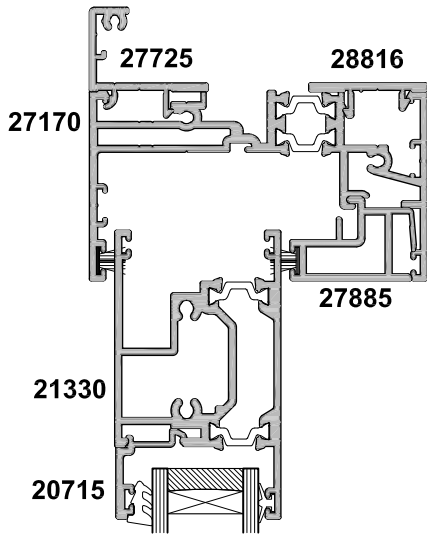
SECTION A-A

STANDARD
SASH
OPTION

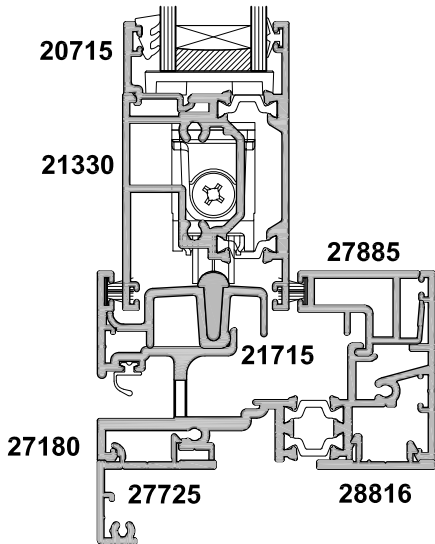
VENTED SASH
OPTION

SECTION B-B



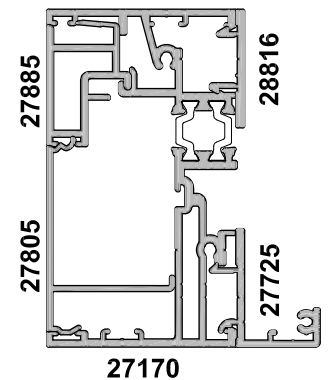
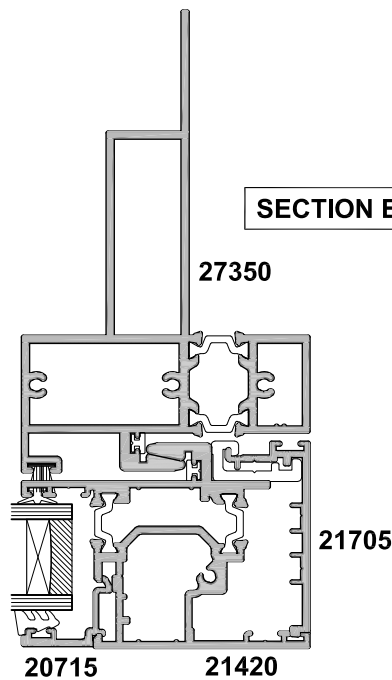
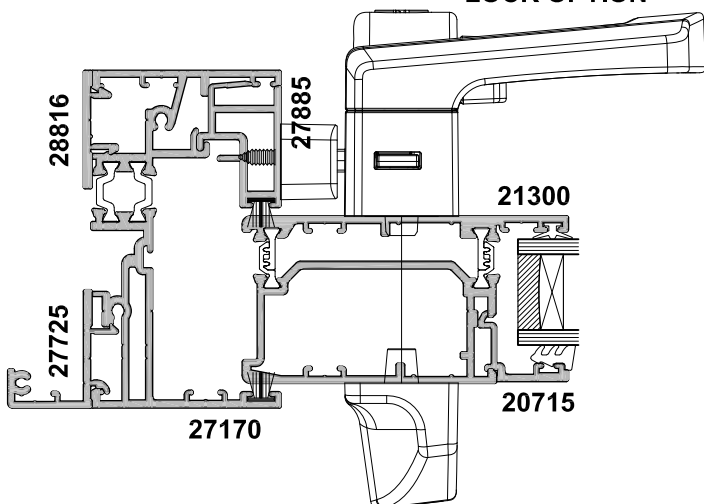


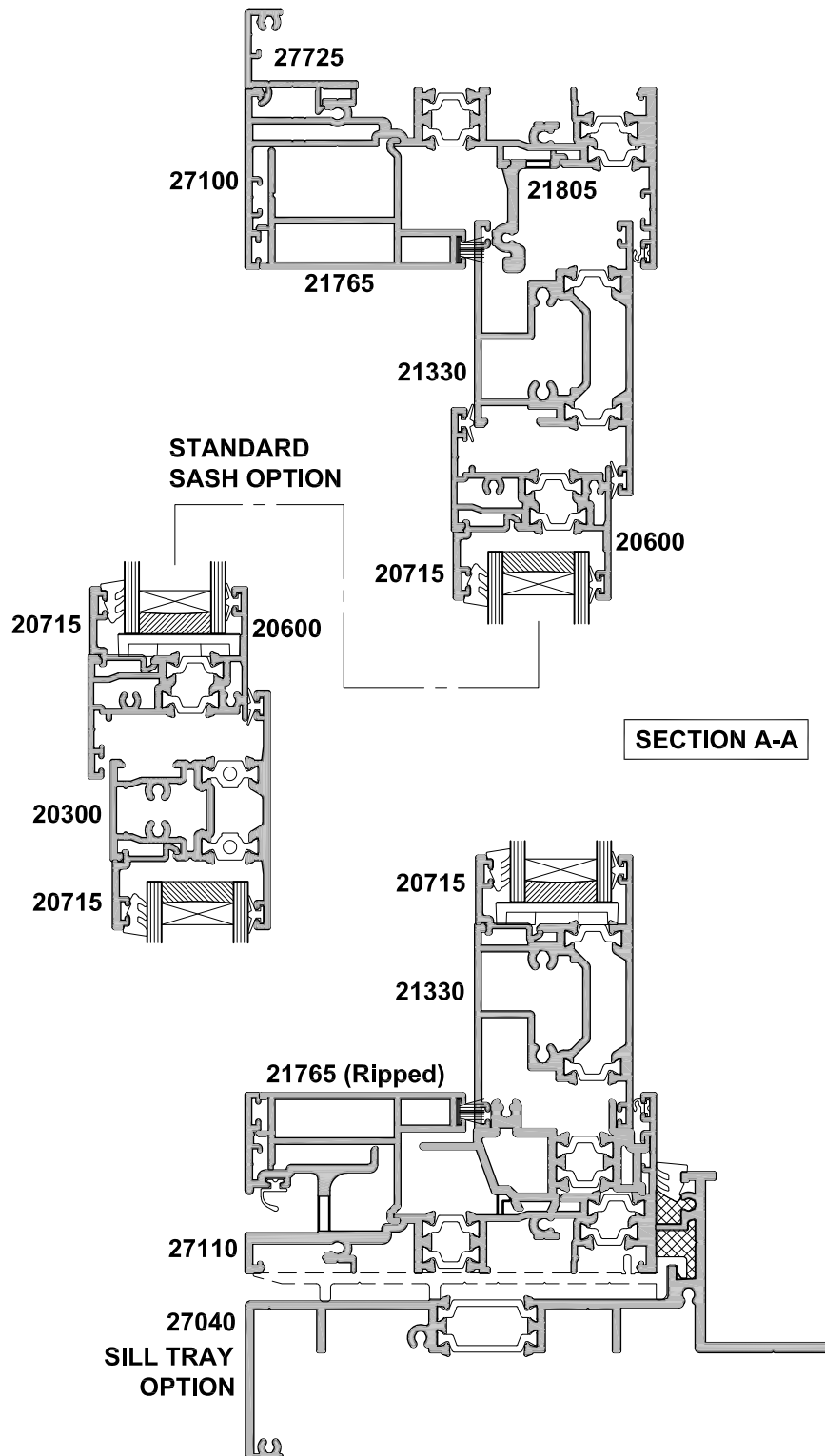
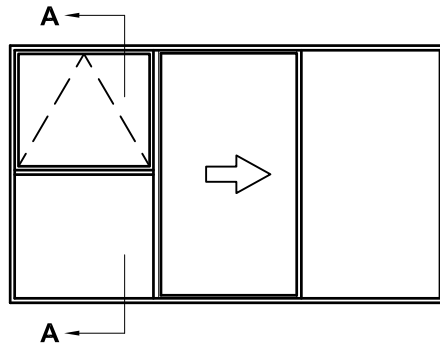
SECTION A-A

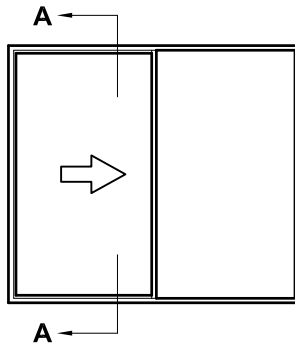


SECTION B-B

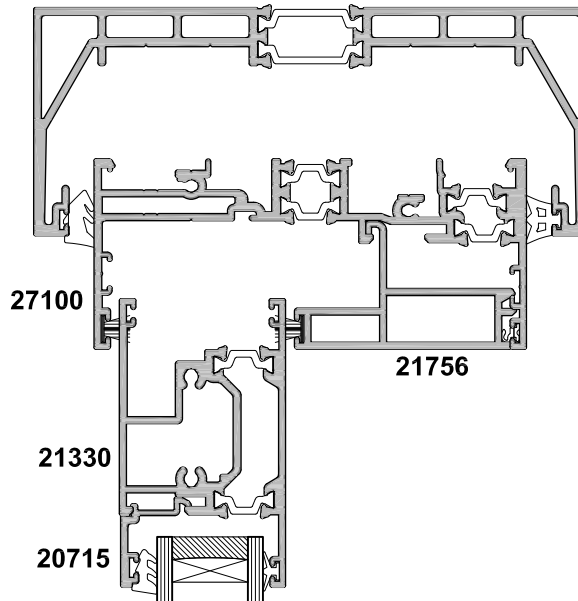
**SURFACE MOUNT
LOCK OPTION**



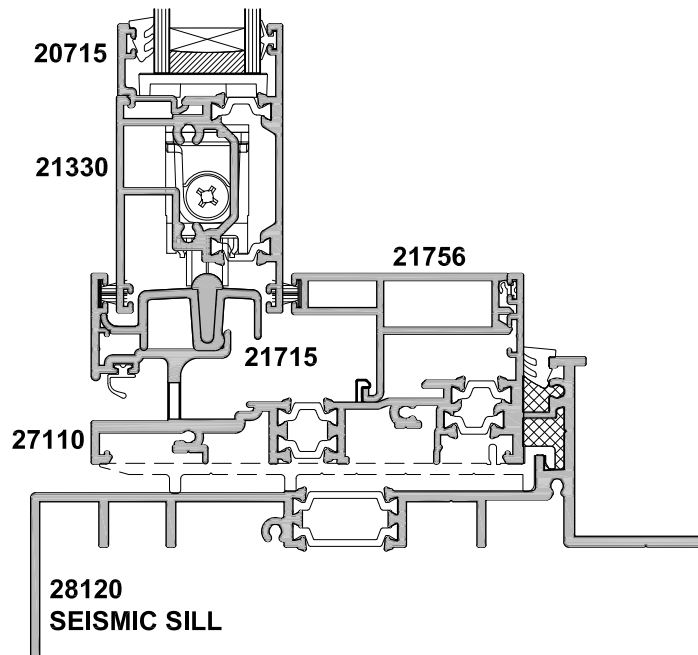


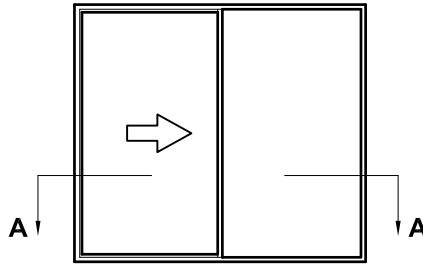


**31010
SEISMIC HEAD**

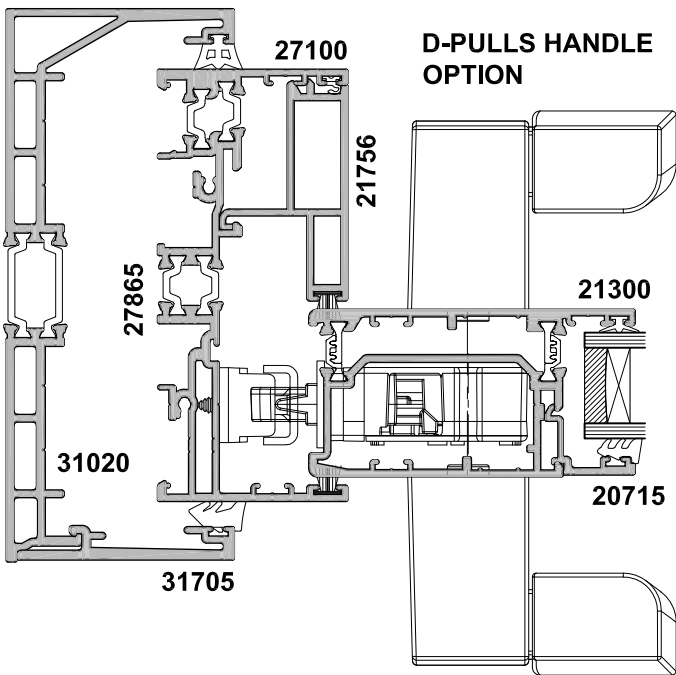


SECTION A-A



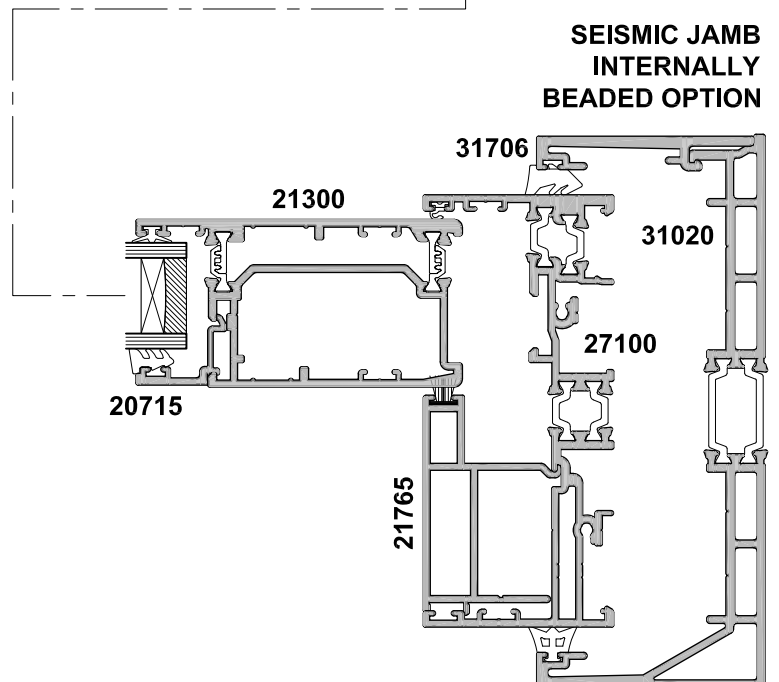


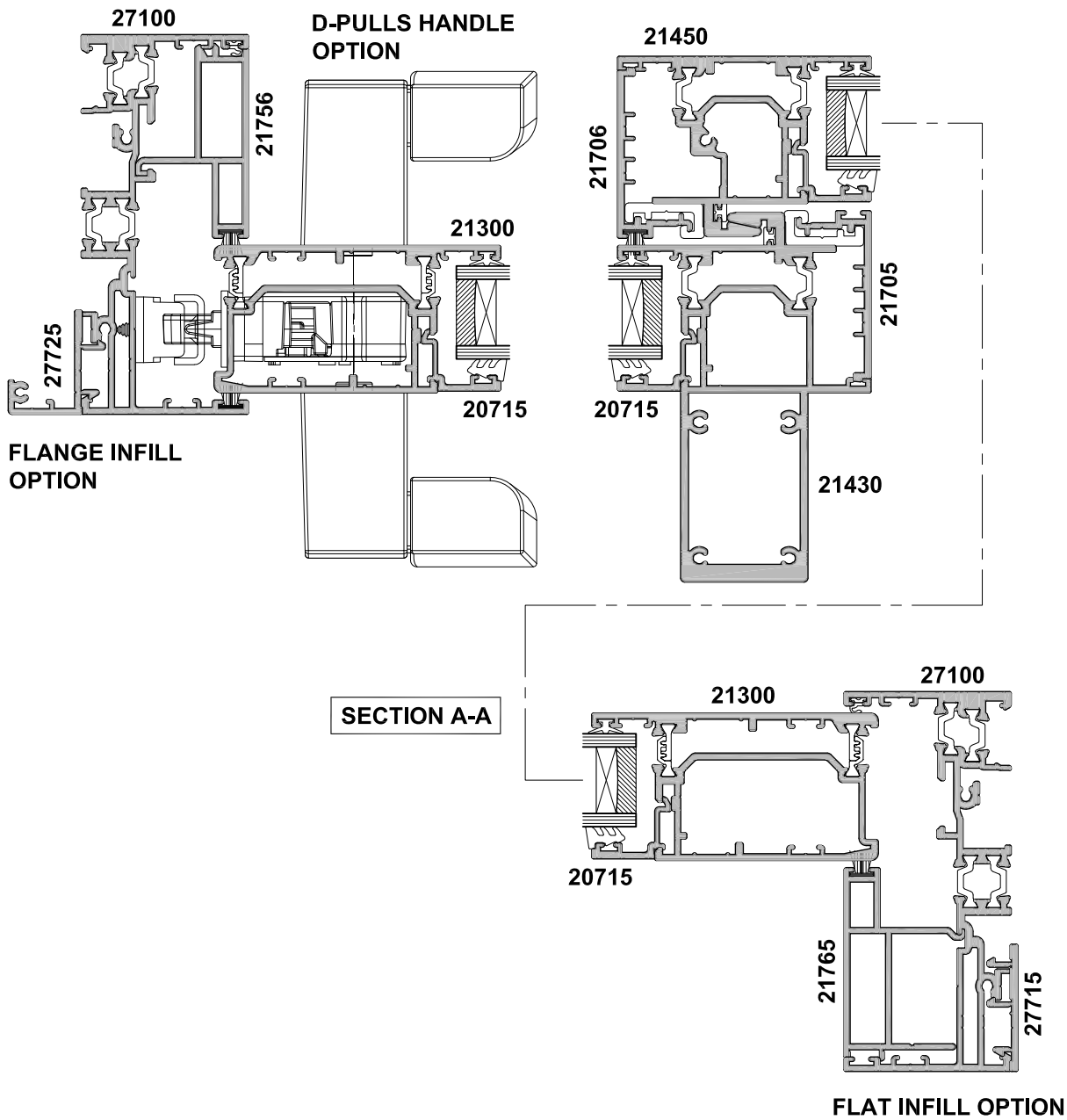
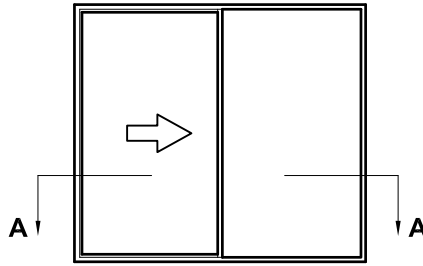
**SEISMIC JAMB
EXTERNALLY
BEADED OPTION**

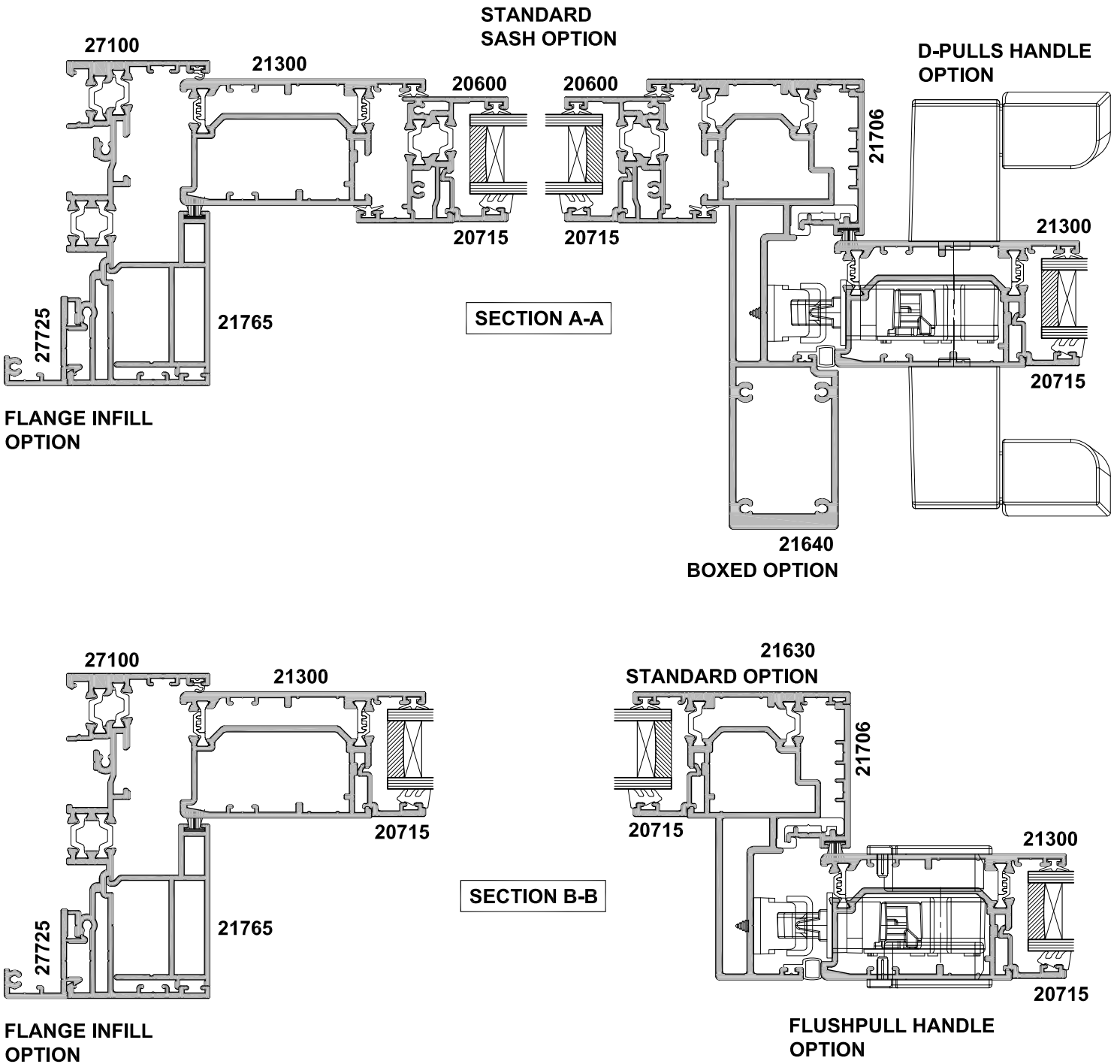
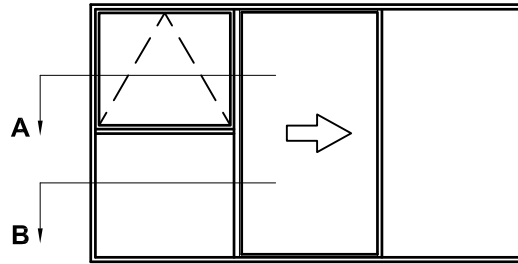


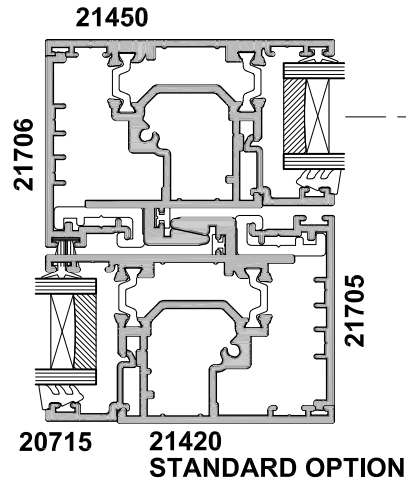
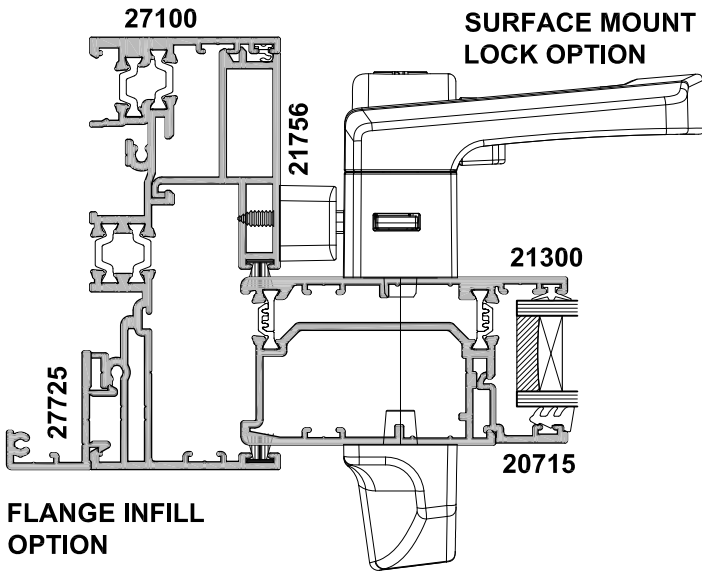
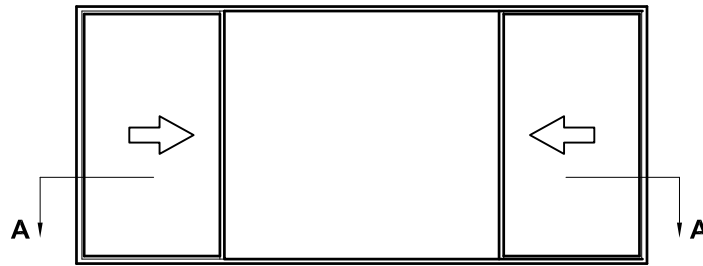
**SEISMIC JAMB
INTERNALLY
BEADED OPTION**

SECTION A-A

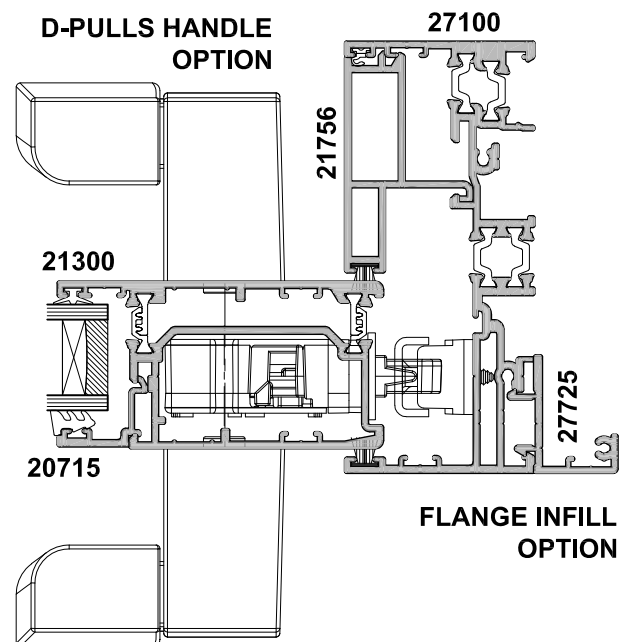
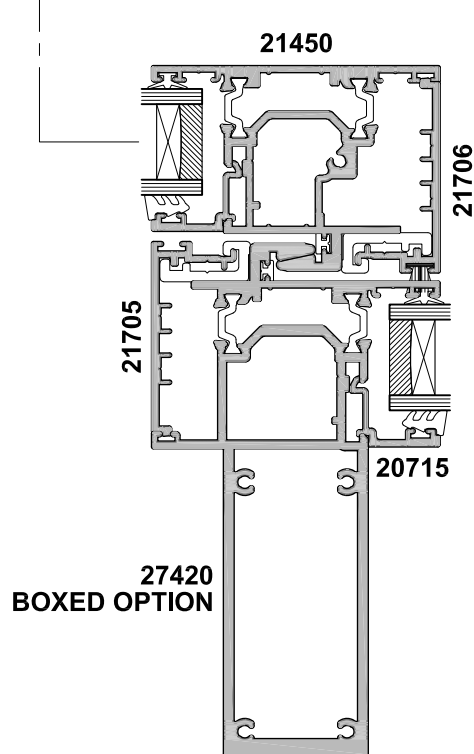


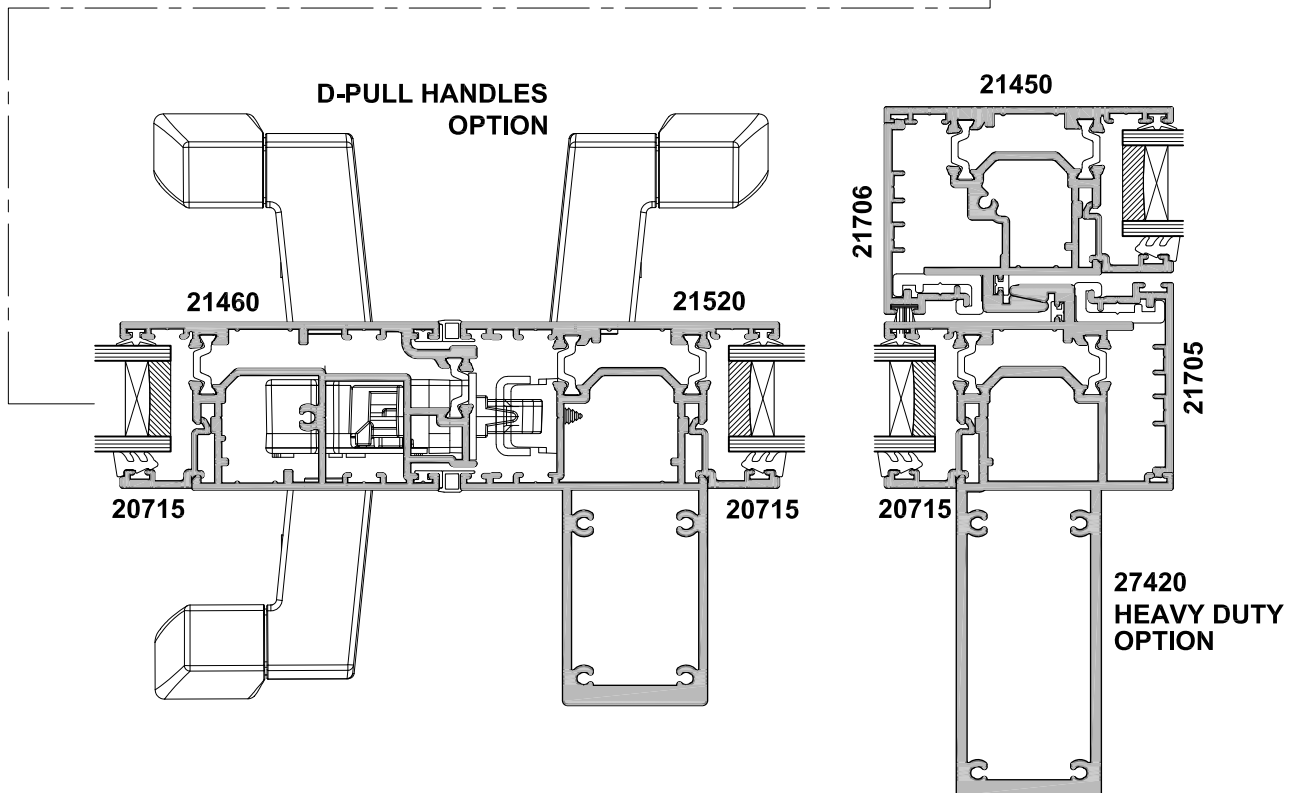
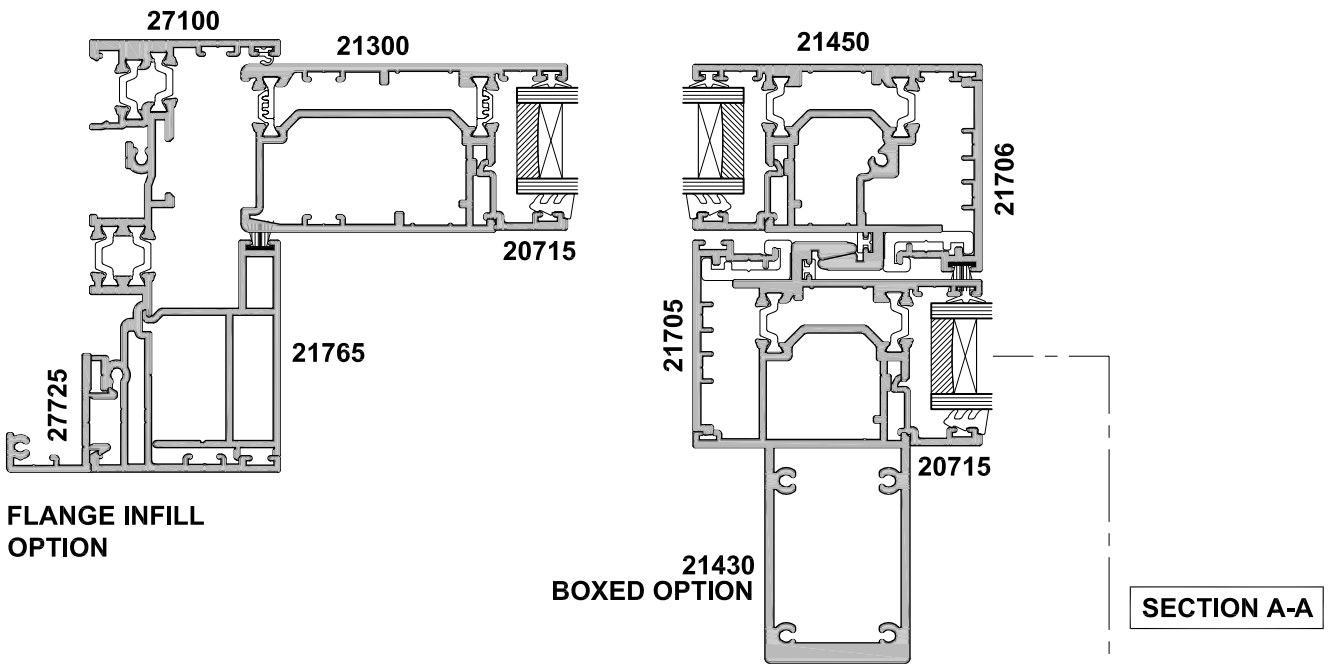
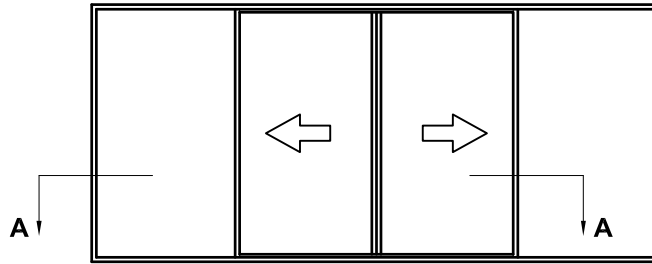


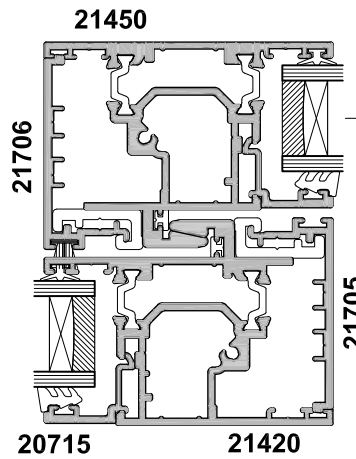
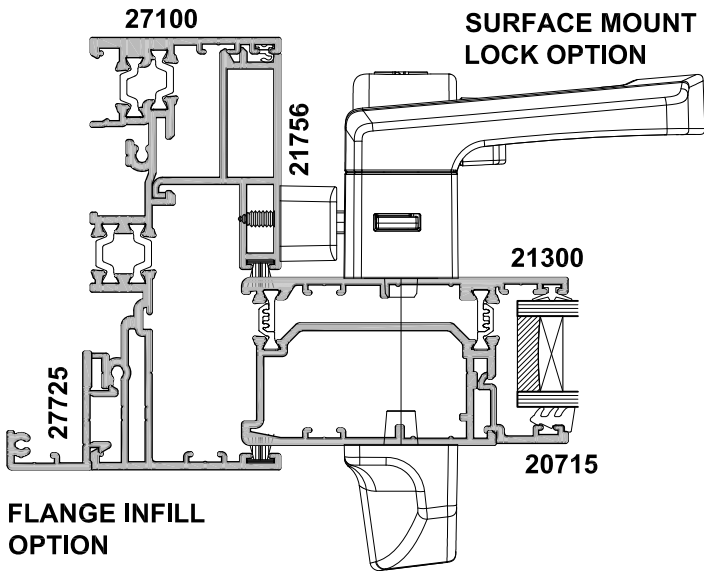
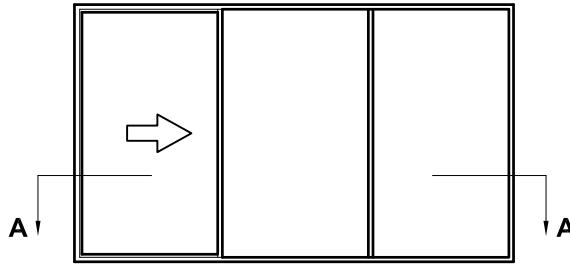




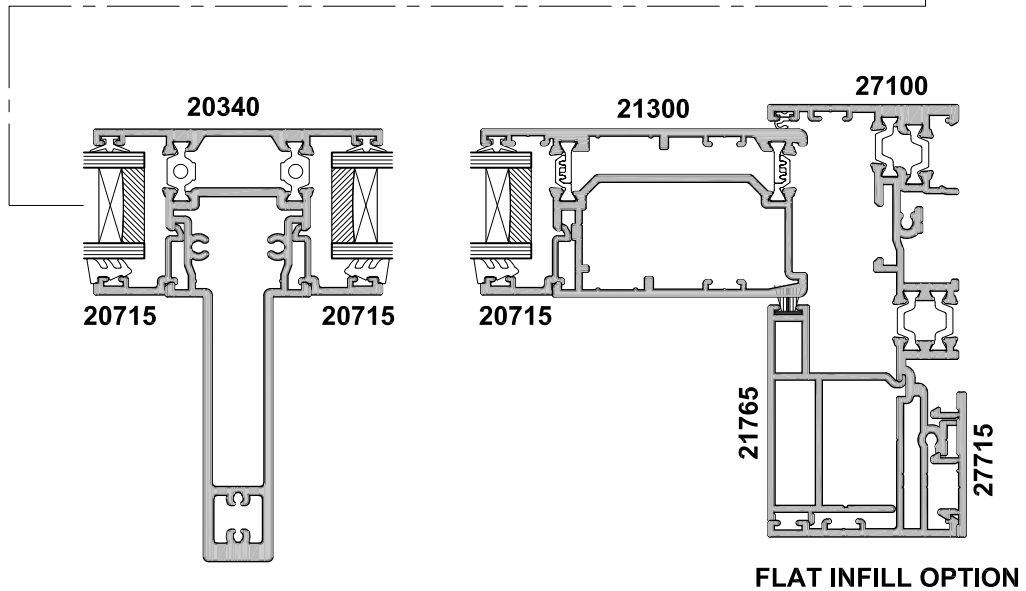
SECTION A-A

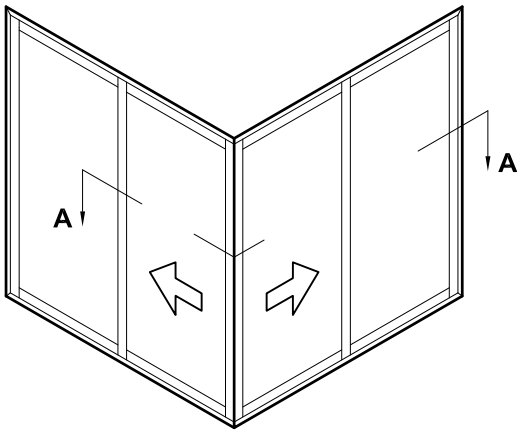






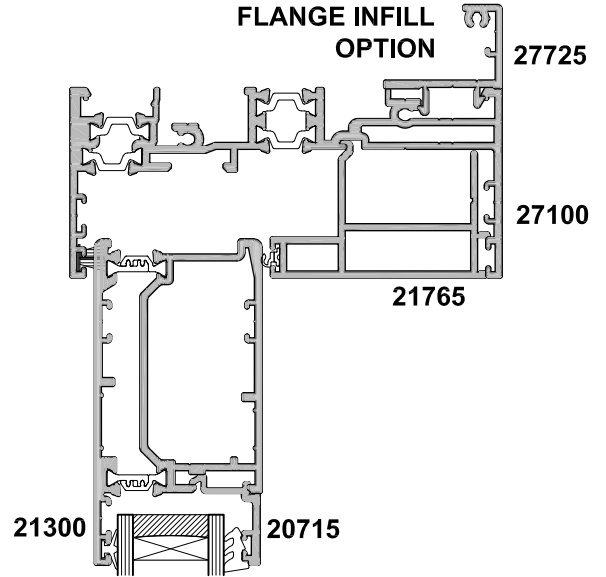
SECTION A-A



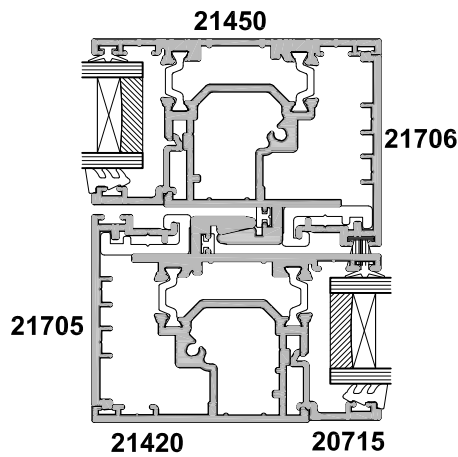
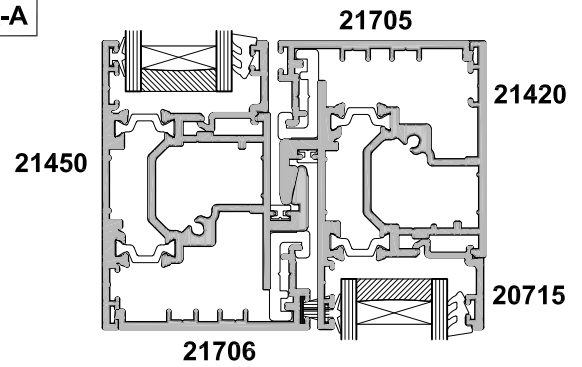


**EXTERNAL 90°
CORNER**

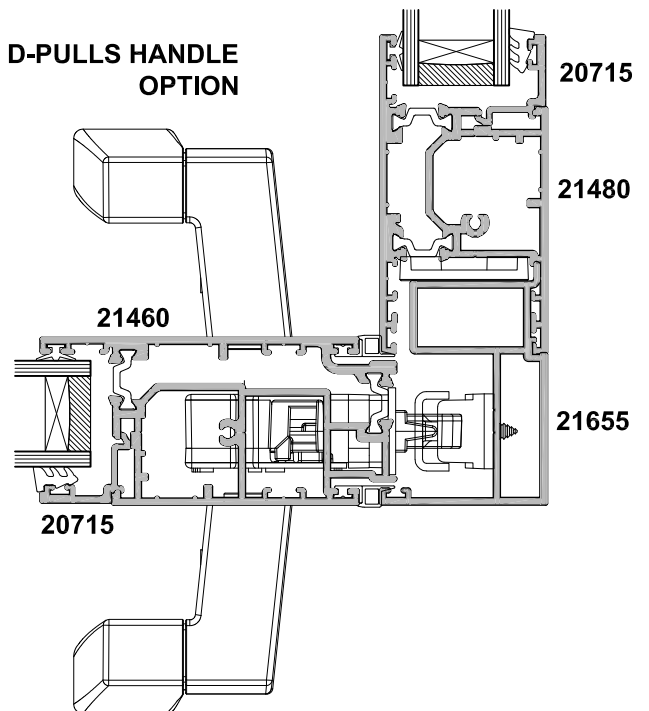
**FLANGE INFILL
OPTION**

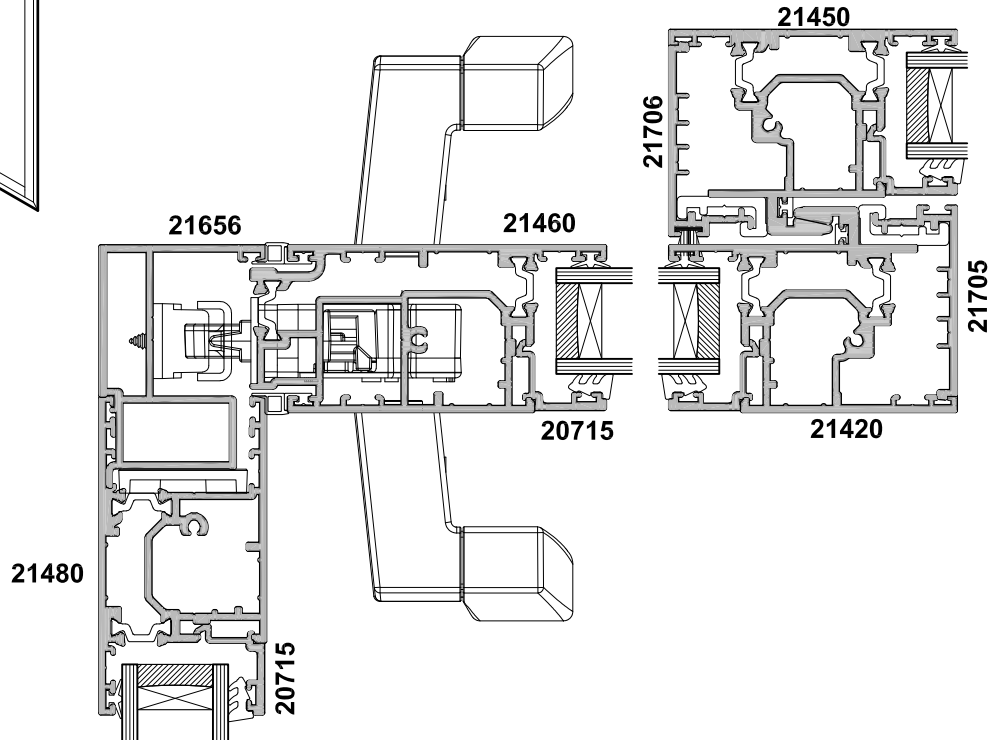
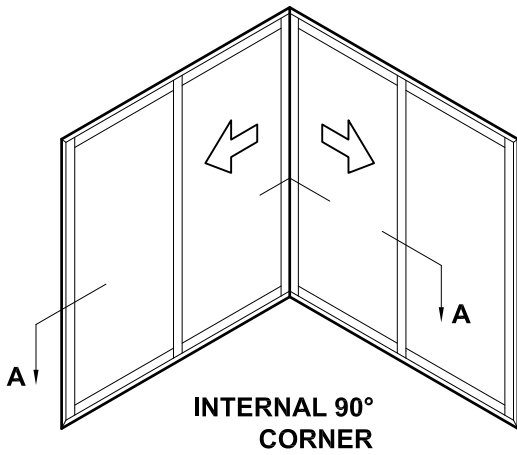


SECTION A-A

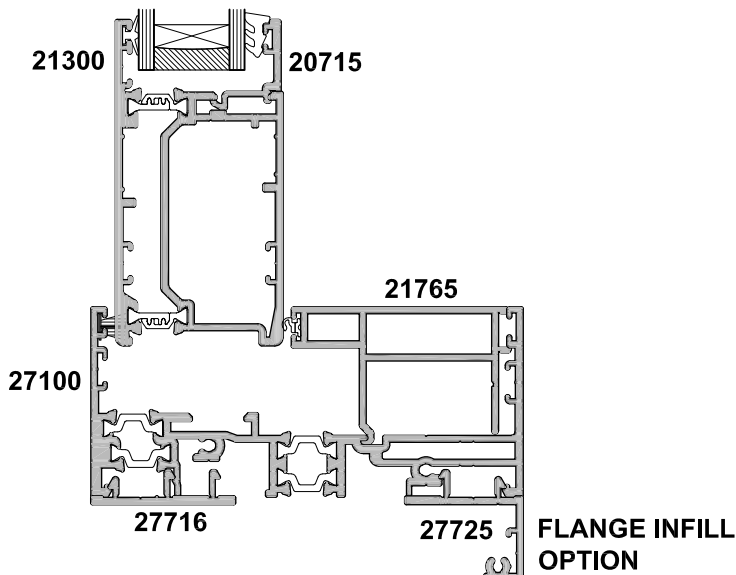
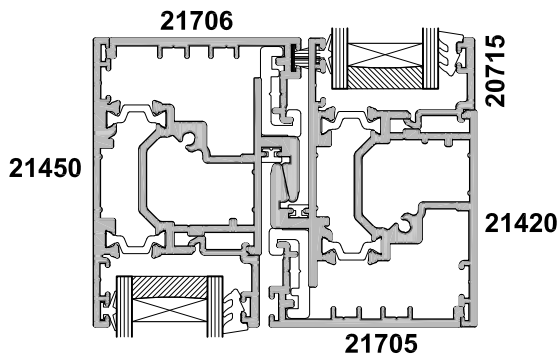


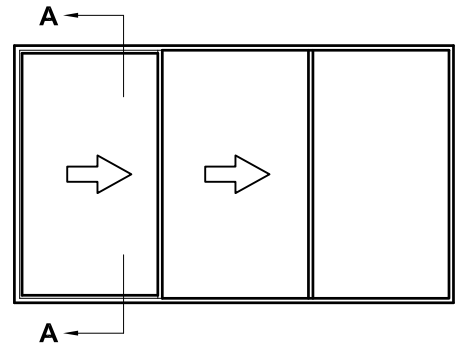
**D-PULLS HANDLE
OPTION**



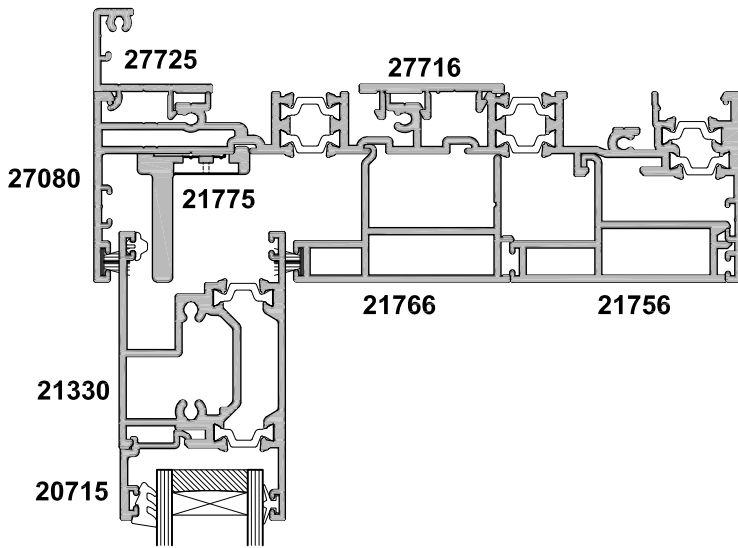


SECTION A-A

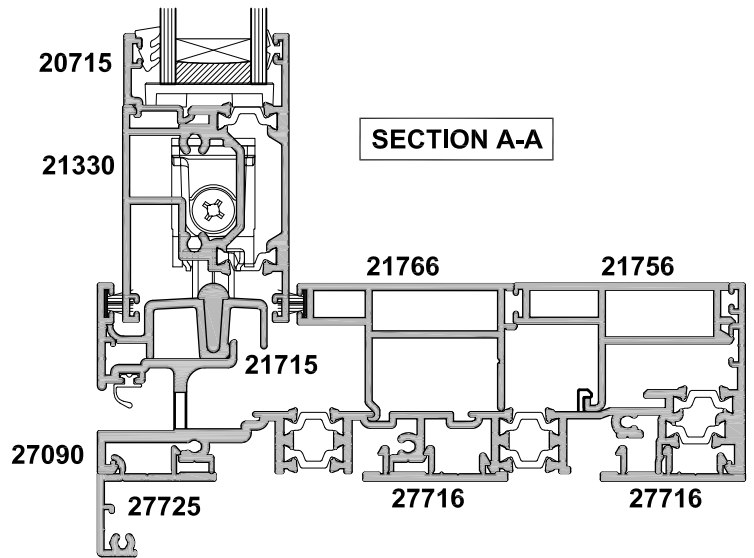




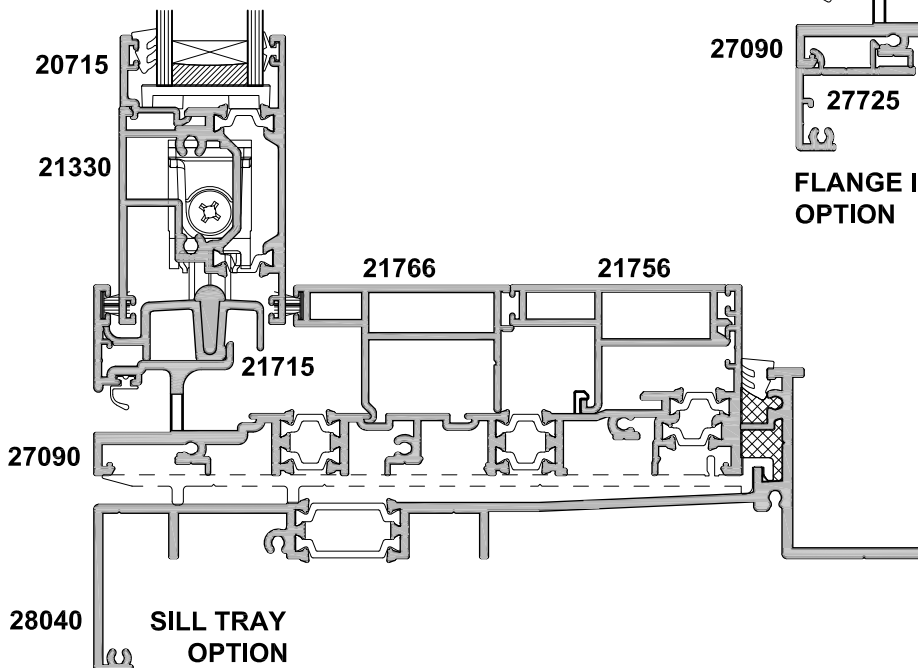
**FLANGE INFILL
OPTION**



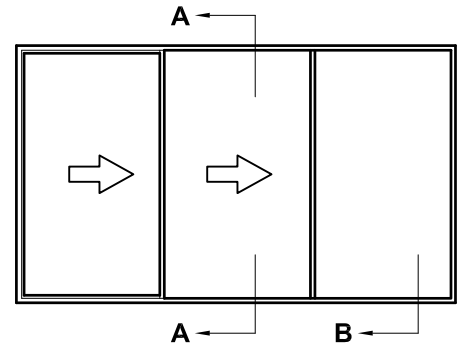
SECTION A-A



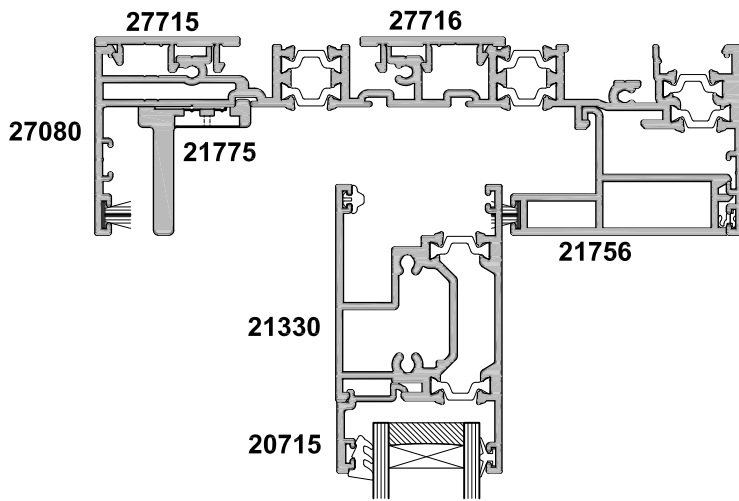
**FLANGE INFILL
OPTION**



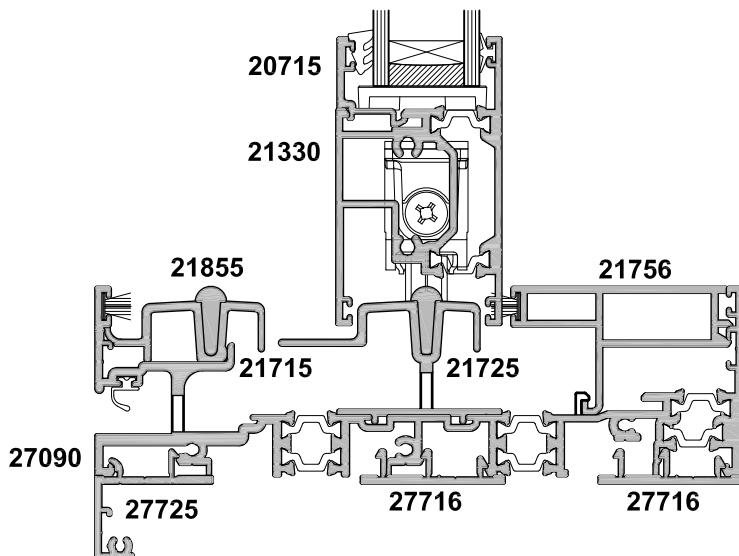
**SILL TRAY
OPTION**



FLAT INFILL OPTION

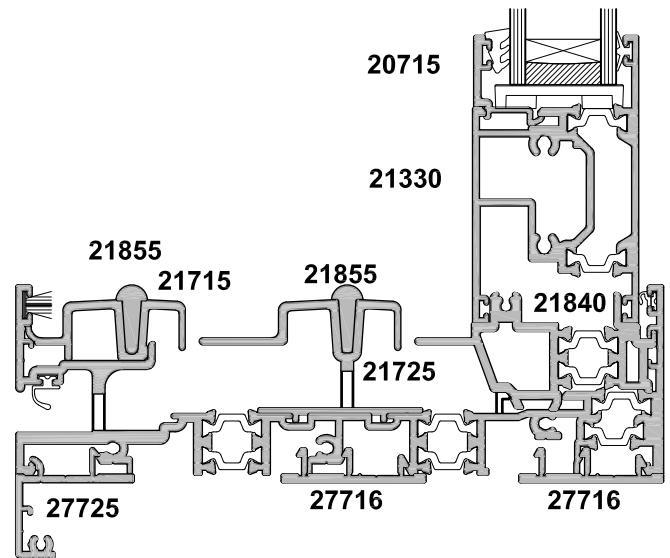


SECTION A-A

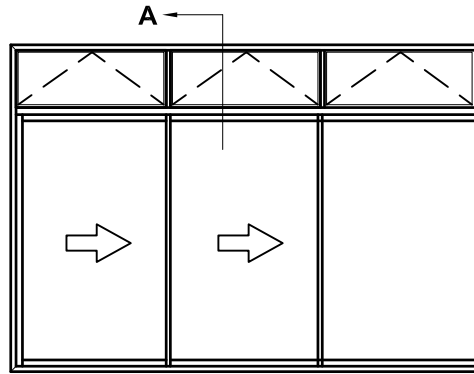


**FLANGE INFILL
OPTION**

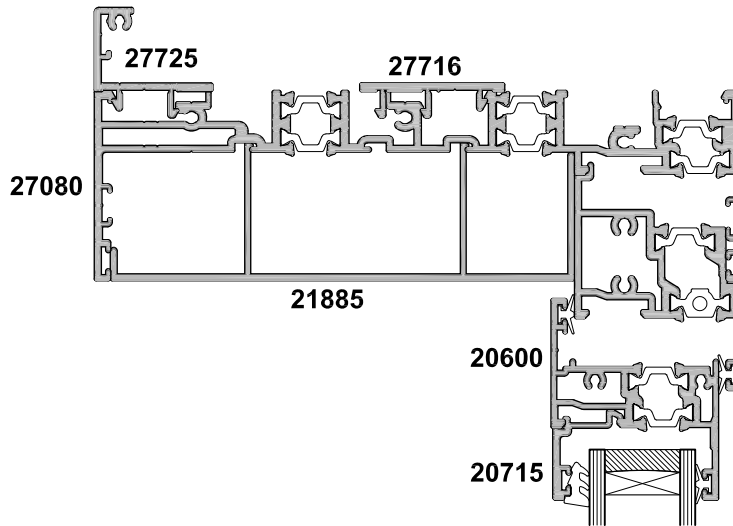
SECTION B-B



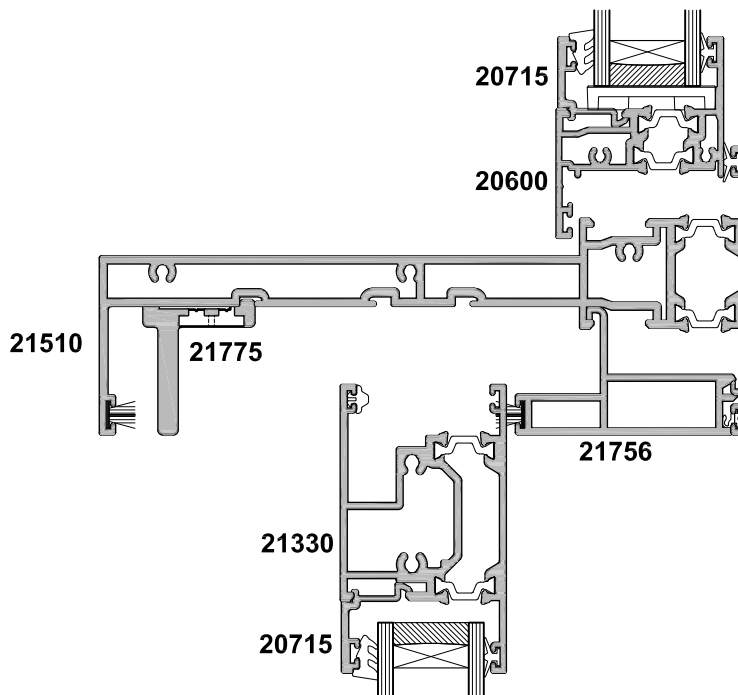
**FLANGE INFILL
OPTION**

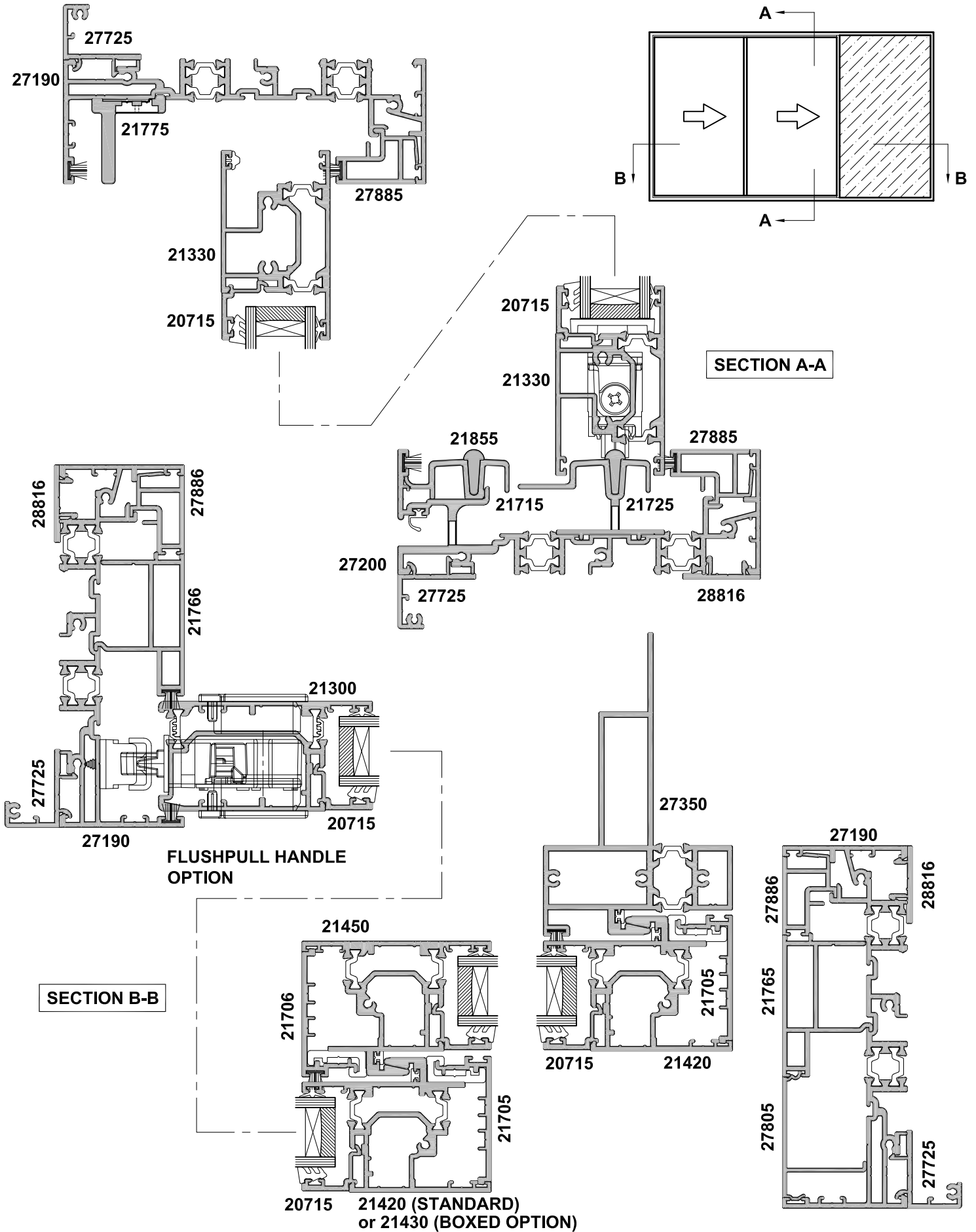


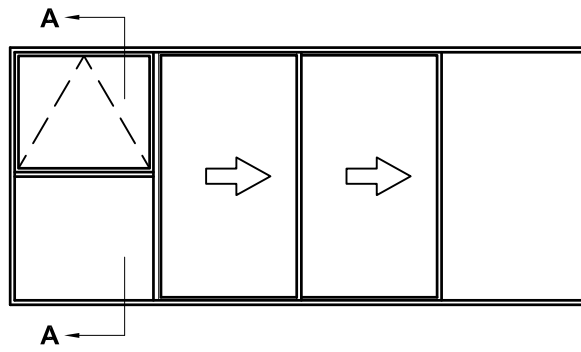
**FLANGE INFILL
OPTION**



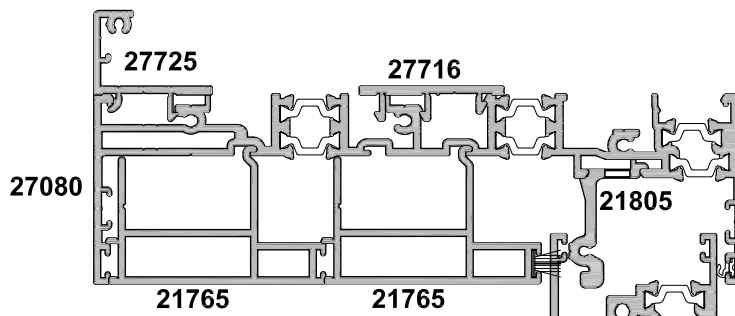
**STANDARD
SASH OPTION**





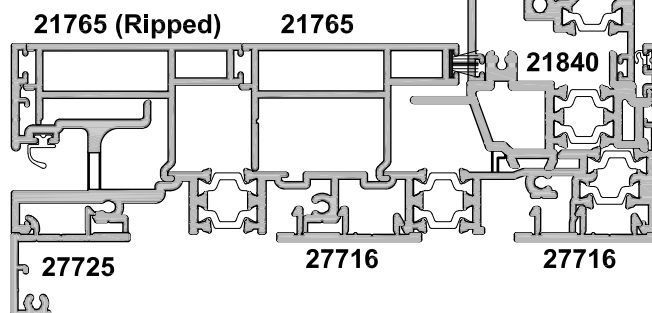
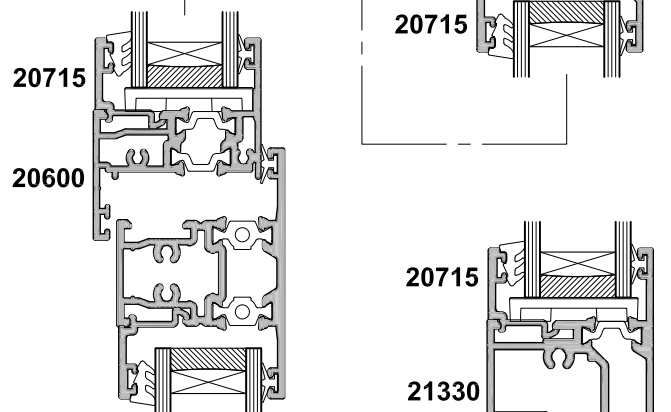


**FLANGE INFILL
OPTION**

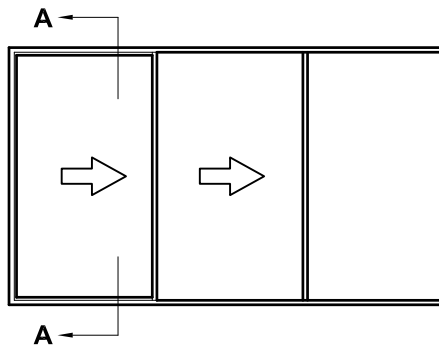


**STANDARD
SASH OPTION**

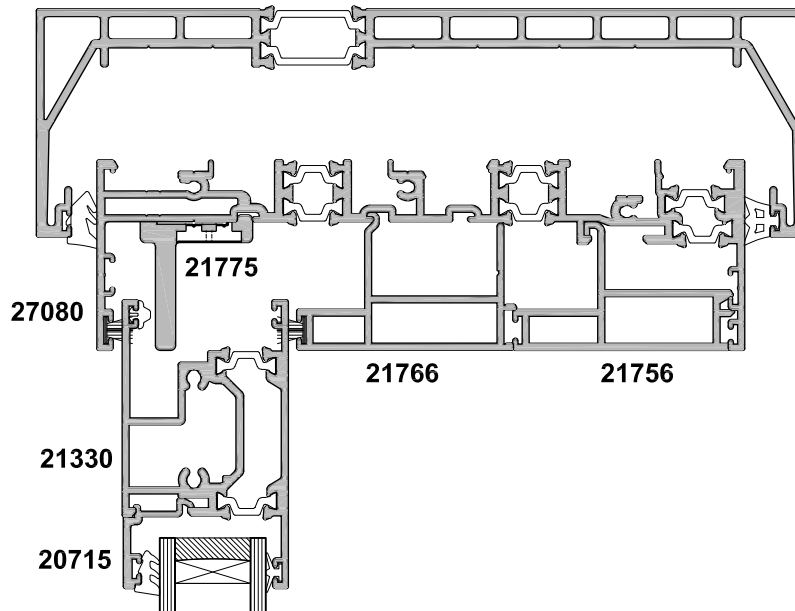
SECTION A-A



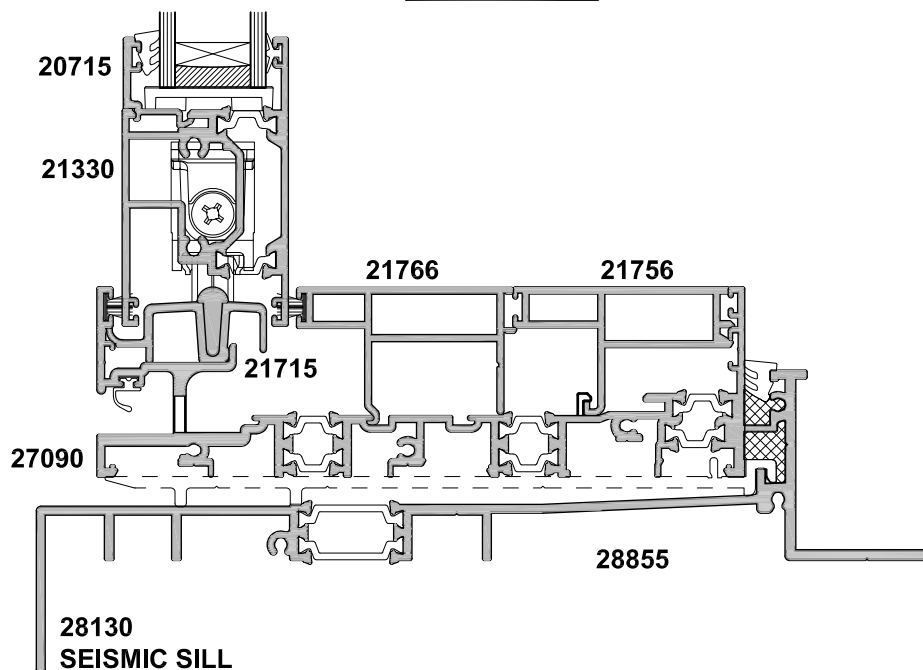
**FLANGE INFILL
OPTION**



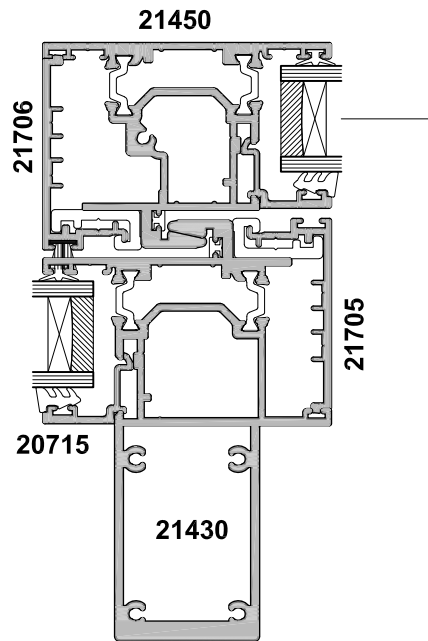
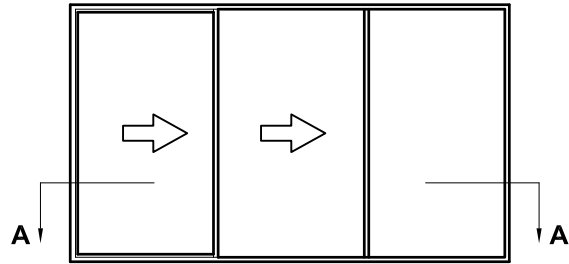
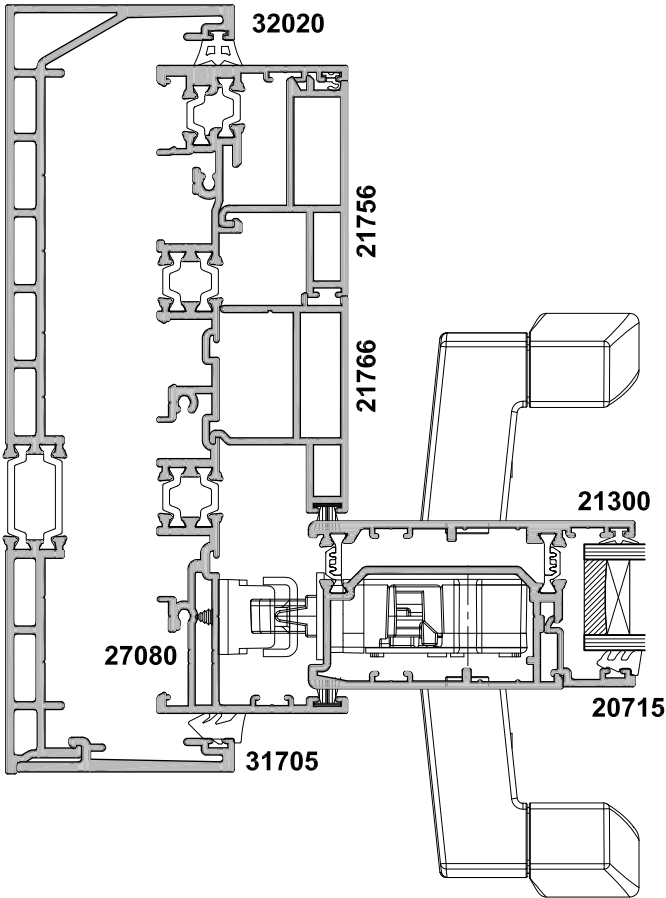
**32010
SEISMIC HEAD**



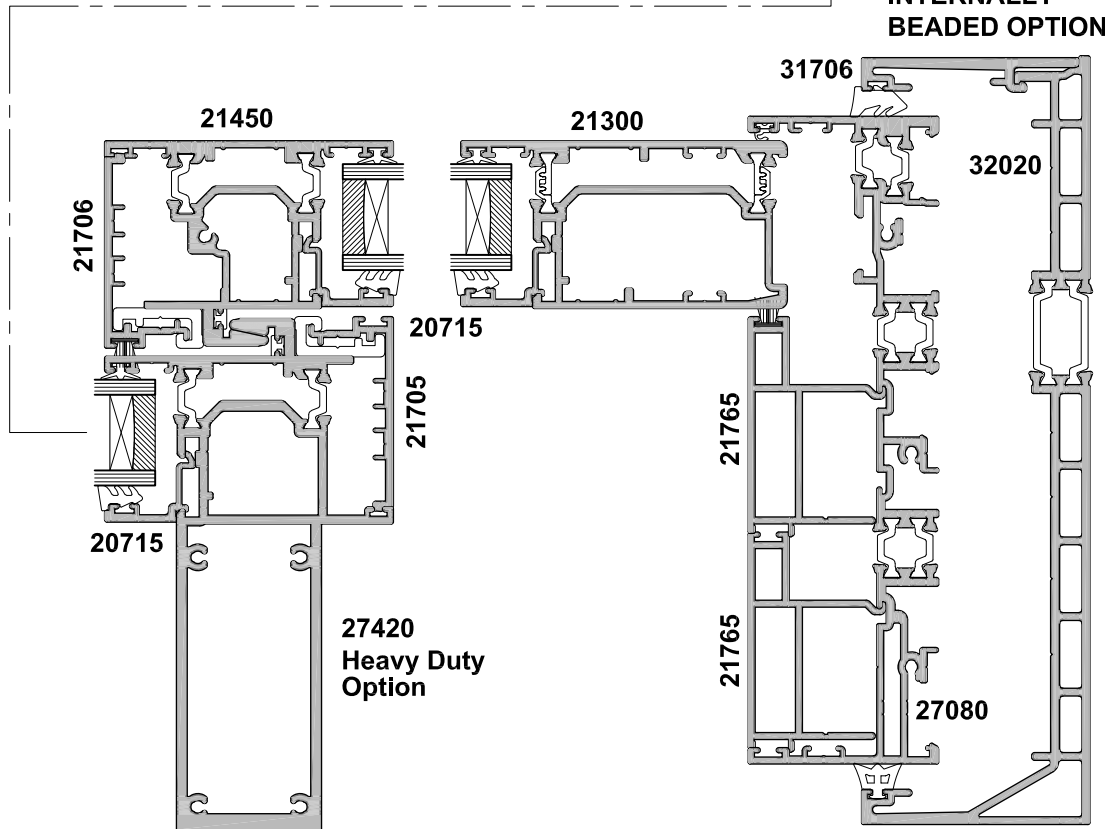
SECTION A-A

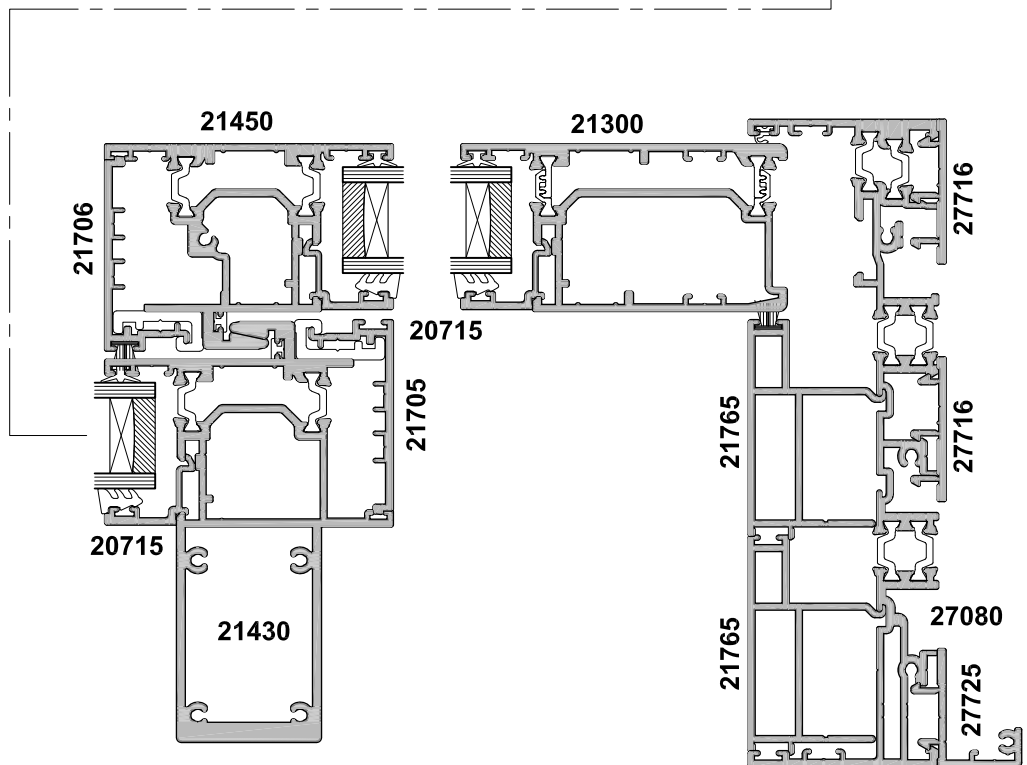
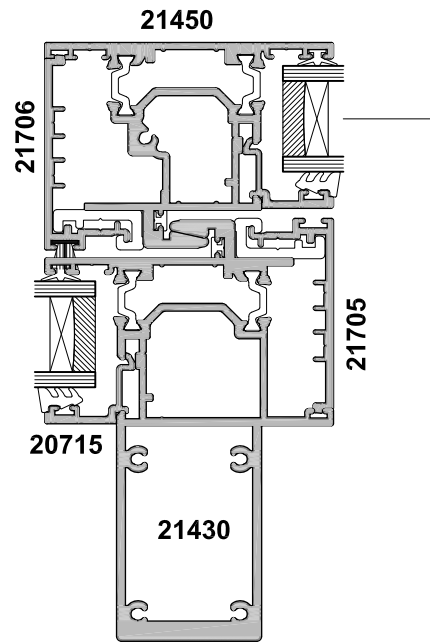
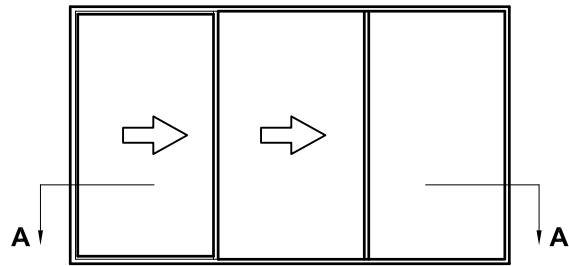
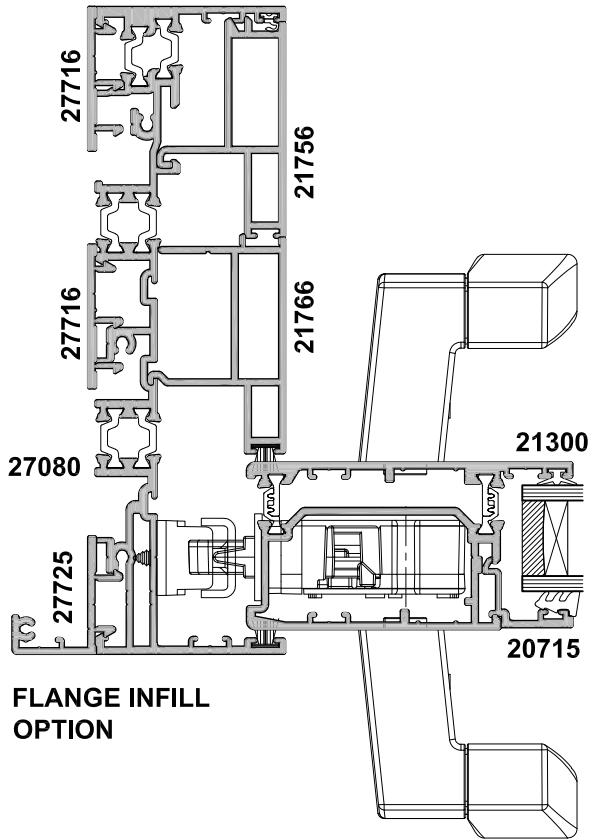


**SEISMIC JAMB
EXTERNALLY
BEADED OPTION**

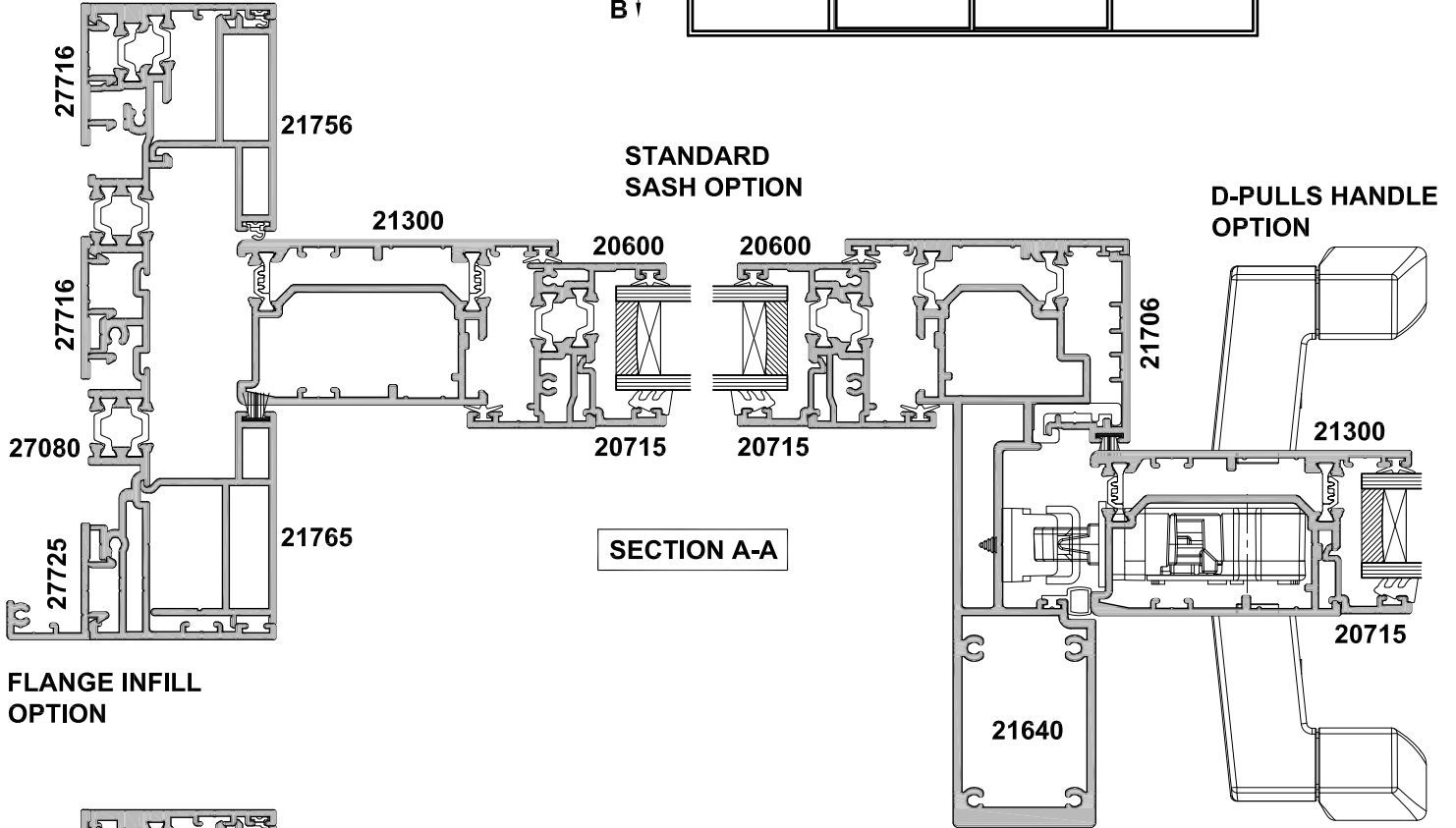
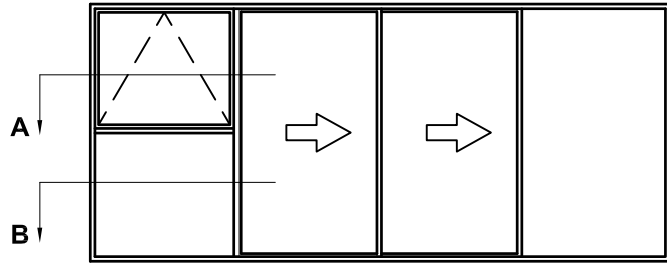


**SEISMIC JAMB
INTERNALLY
BEADED OPTION**

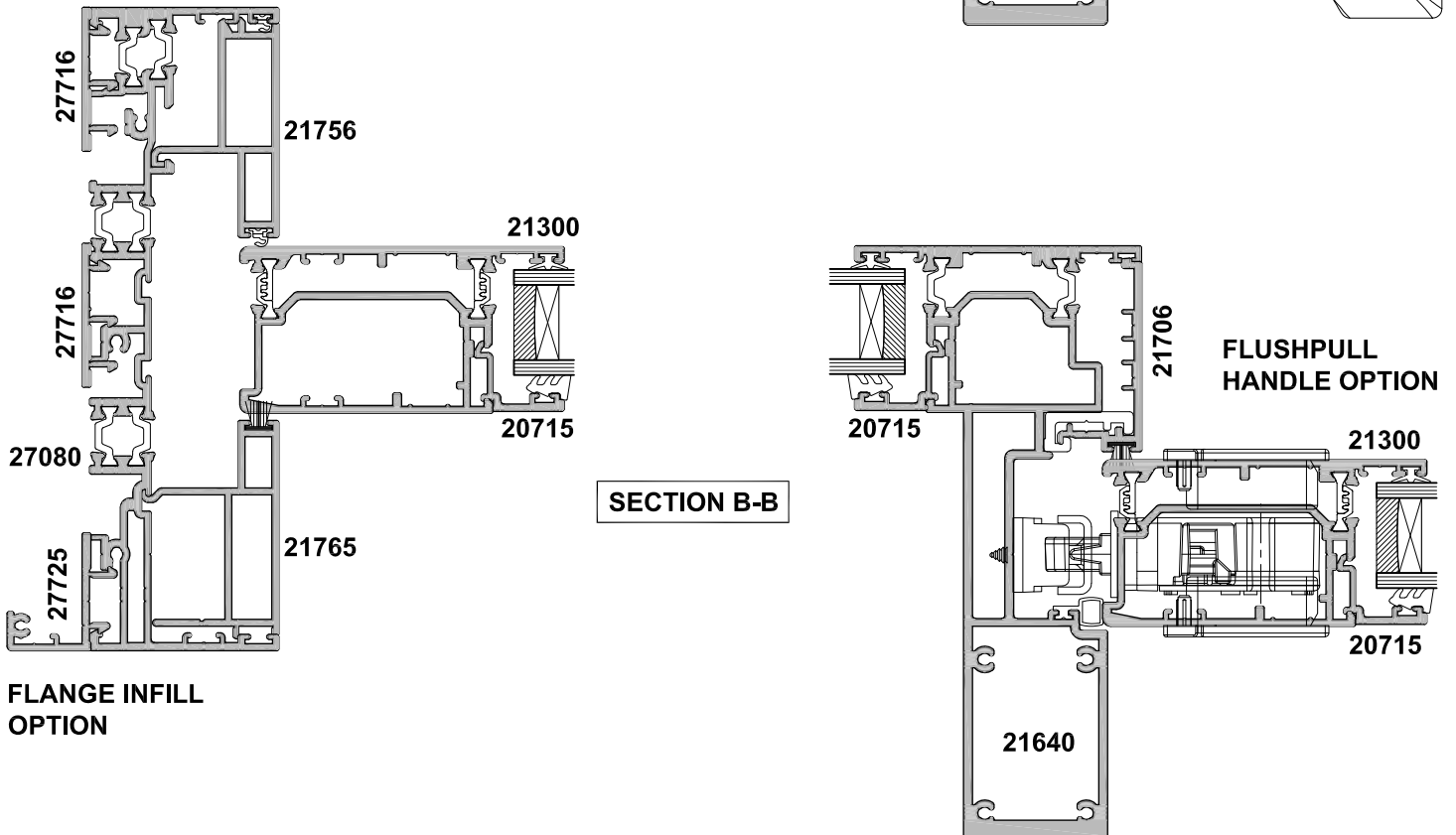




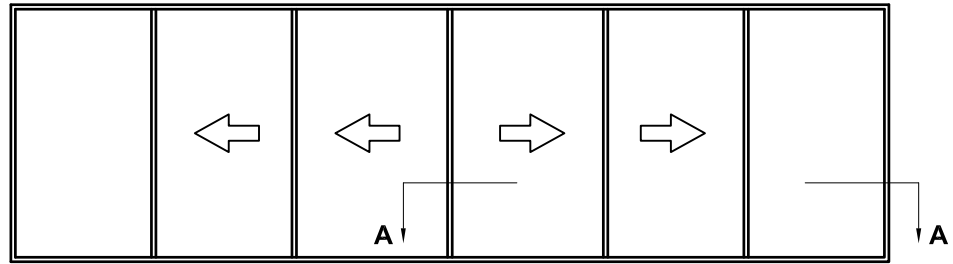
FLANGE INFILL OPTION



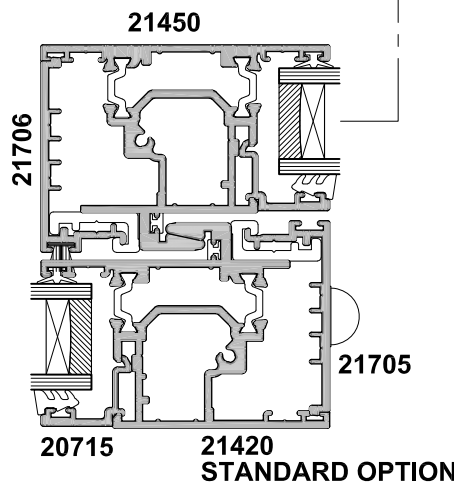
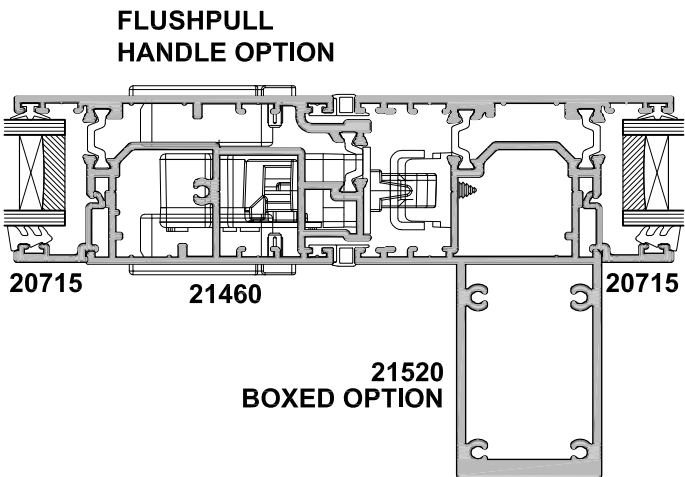
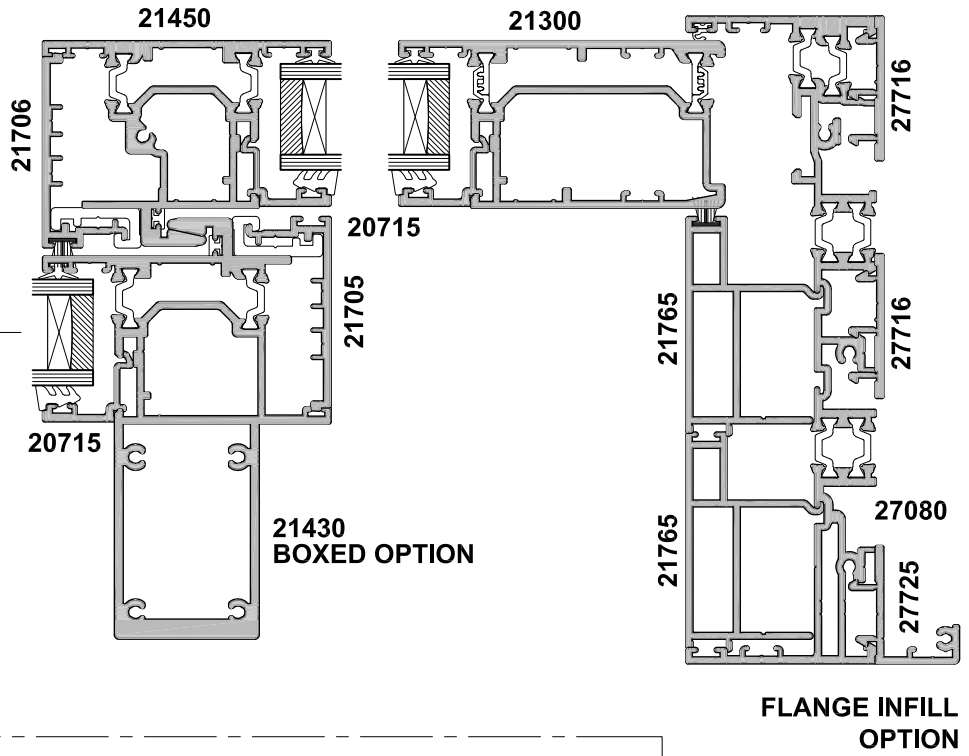
FLANGE INFILL
OPTION

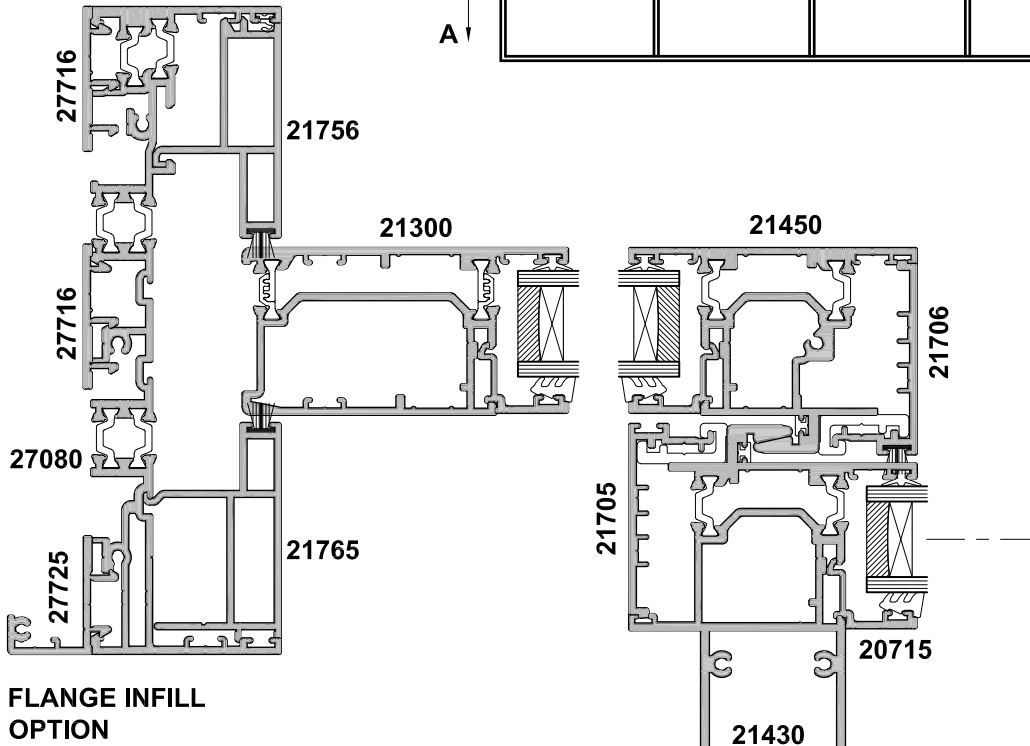
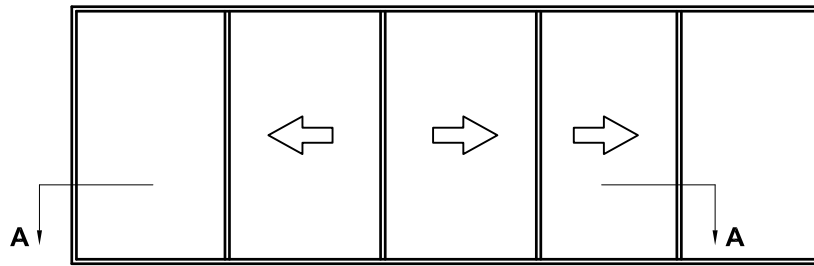


FLANGE INFILL
OPTION



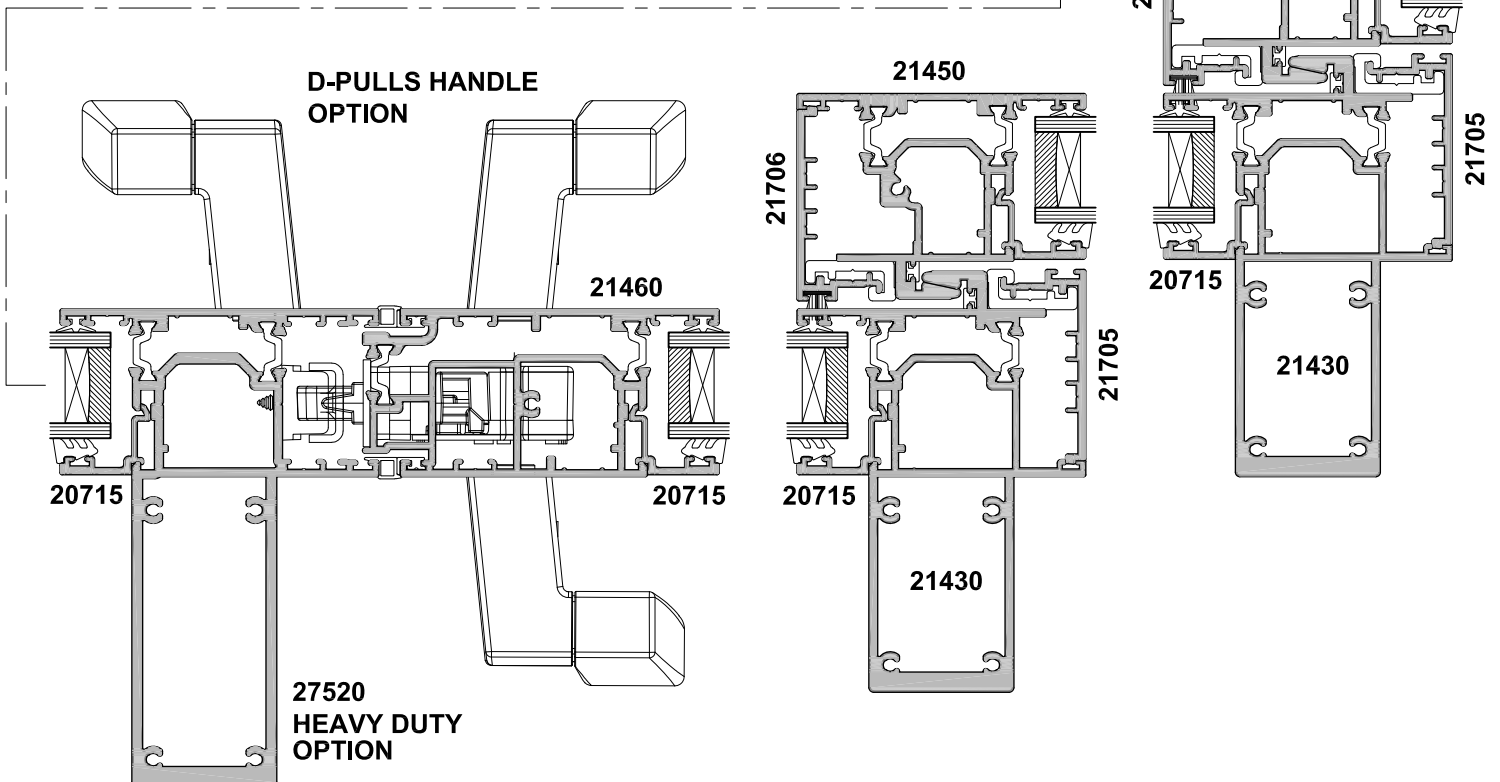
SECTION A-A





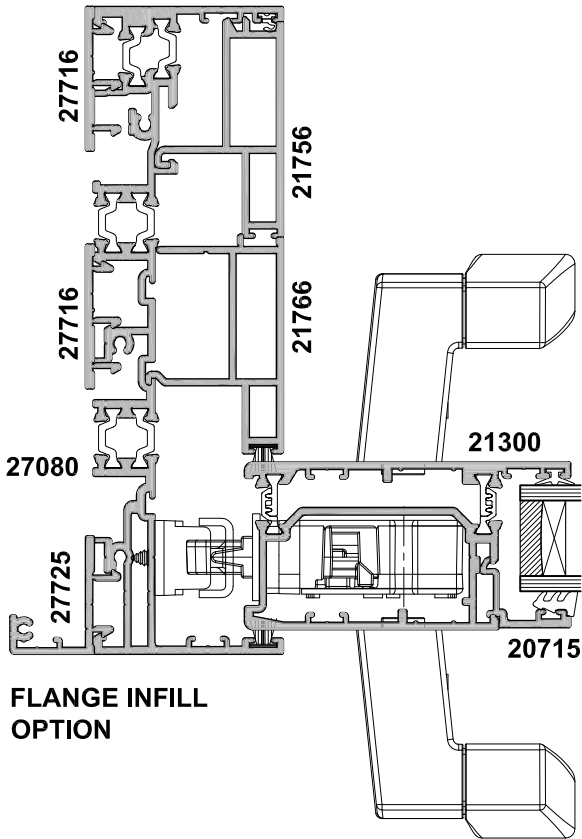
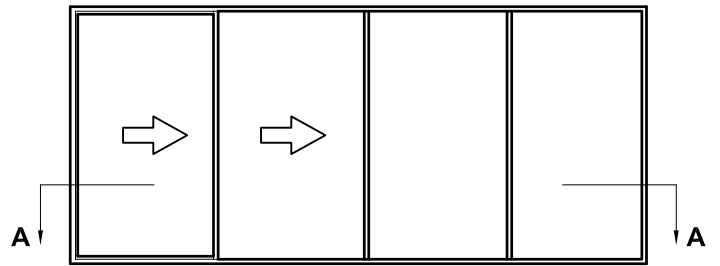
**FLANGE INFILL
OPTION**

SECTION A-A

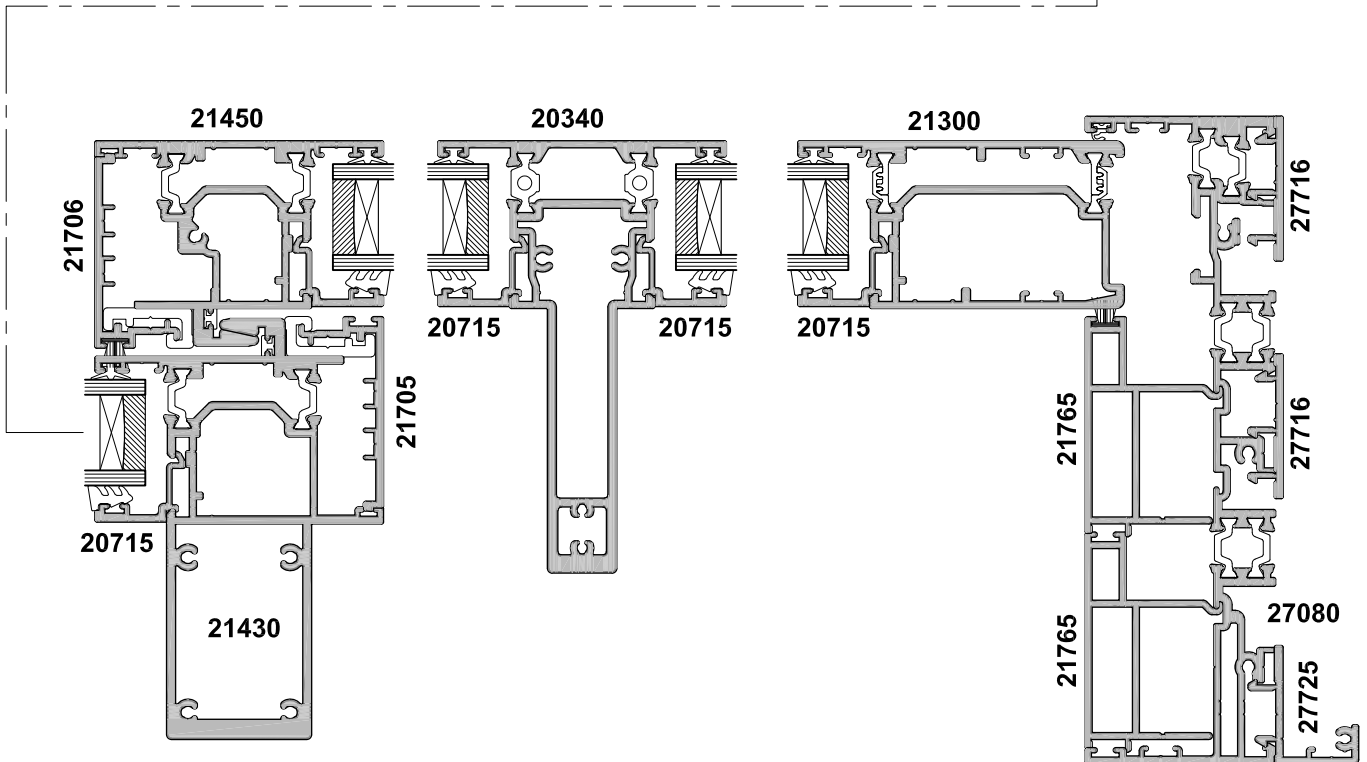
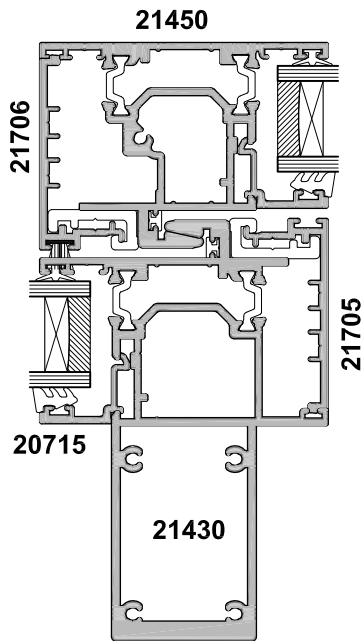


**D-PULLS HANDLE
OPTION**

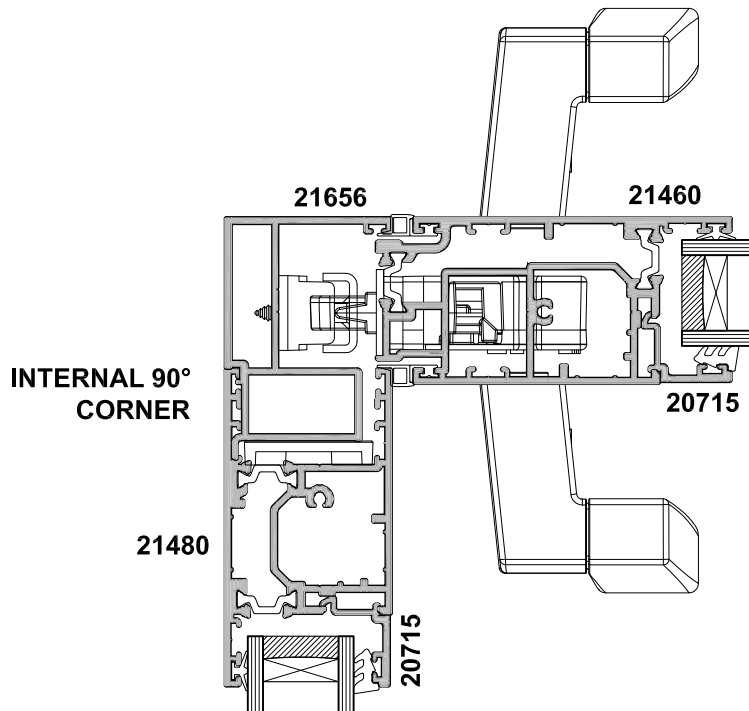
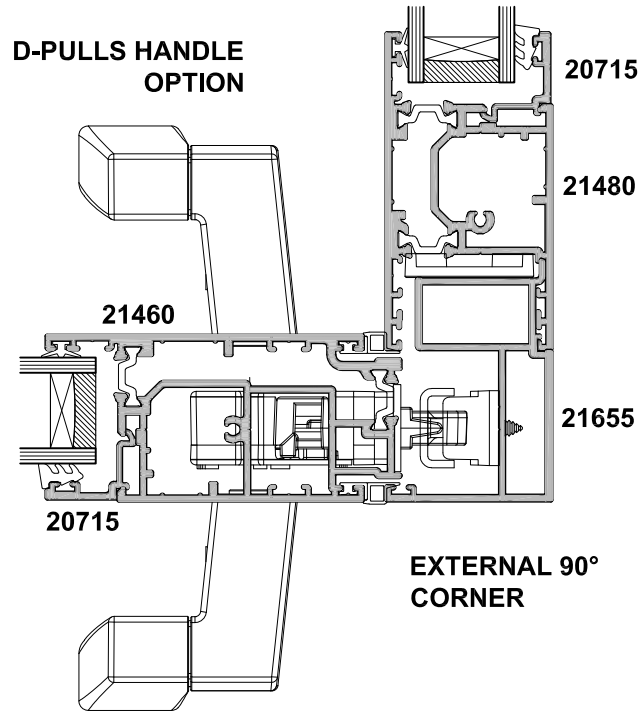
**27520
HEAVY DUTY
OPTION**

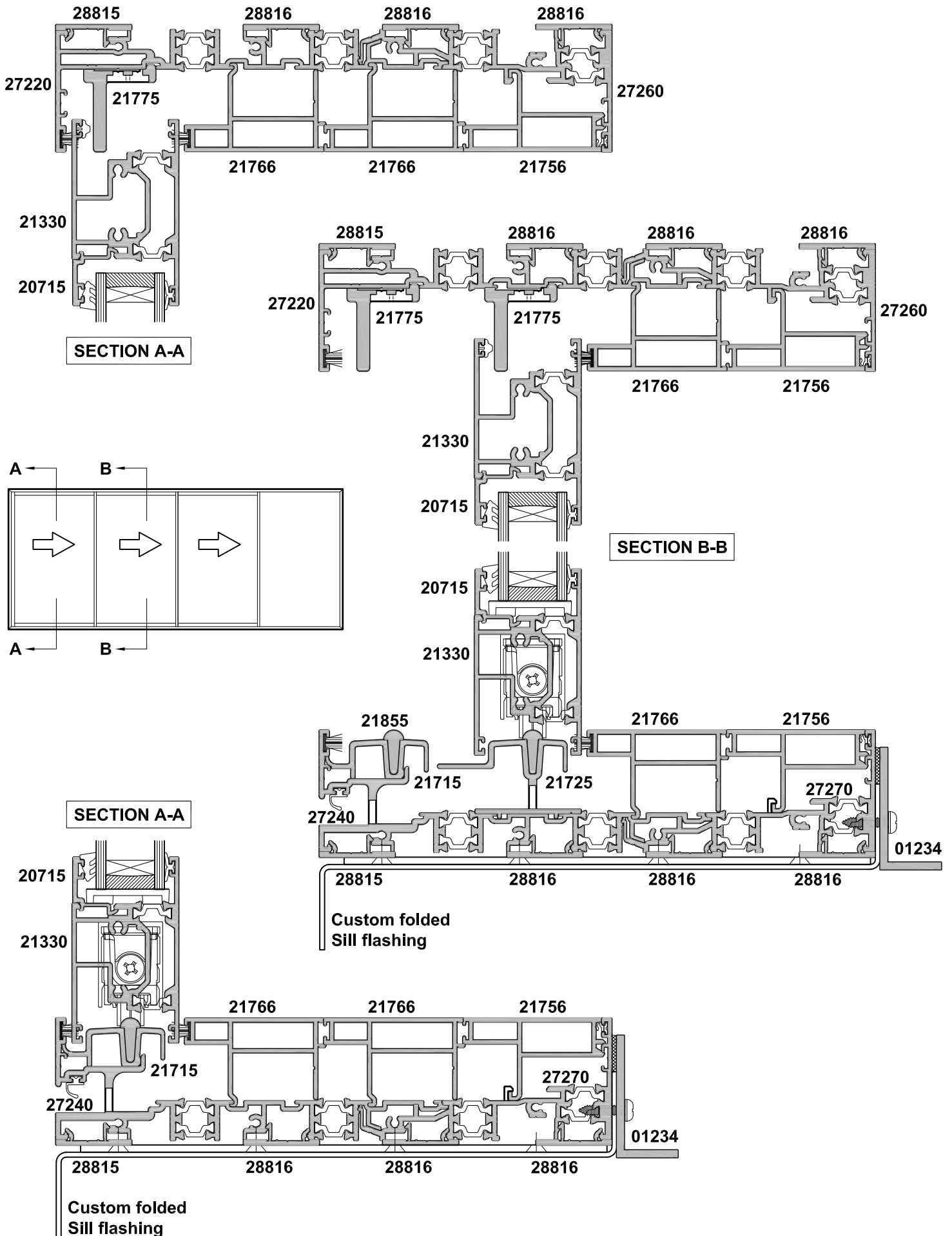


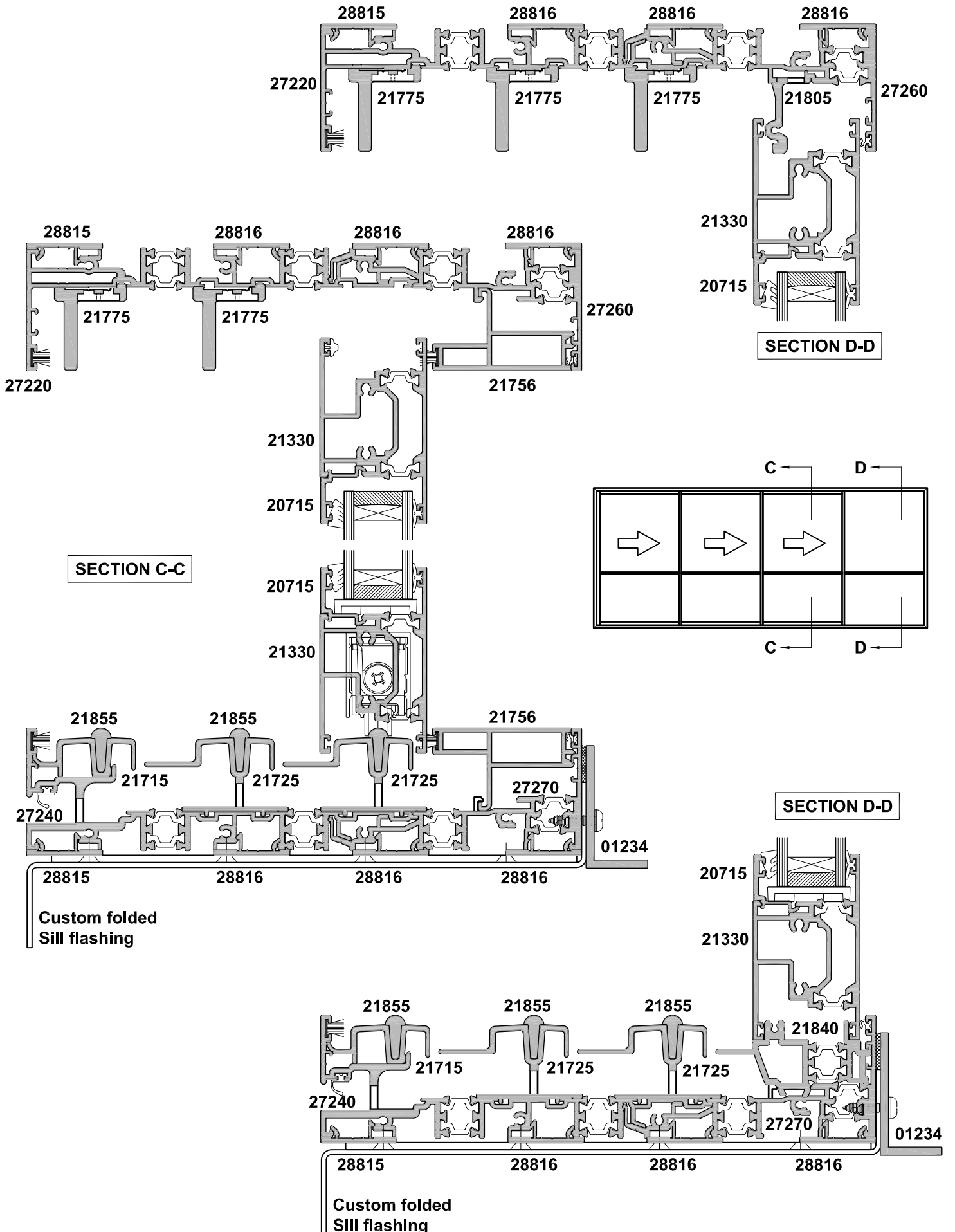
FLANGE INFILL OPTION

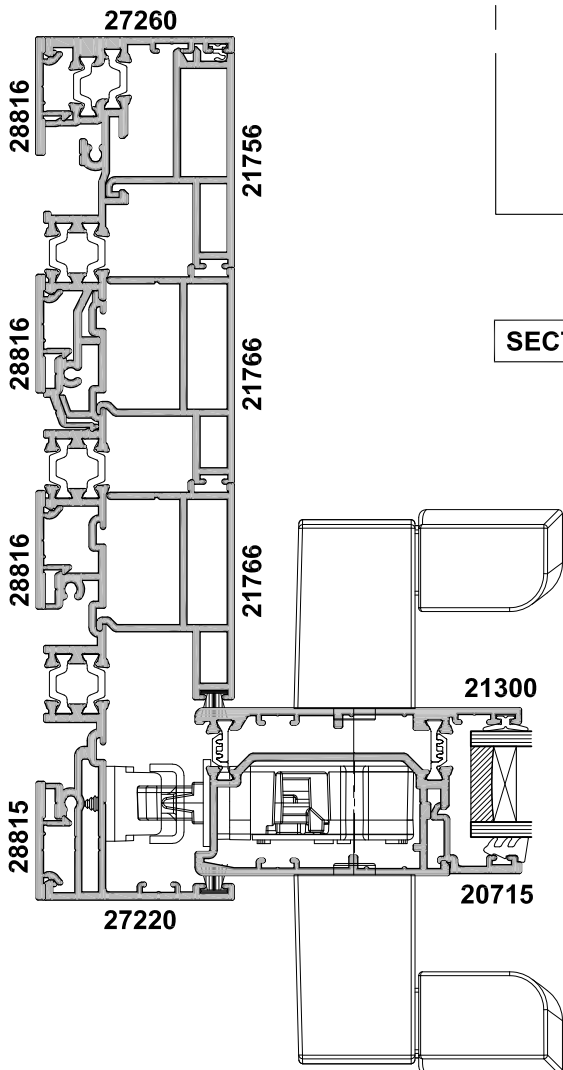
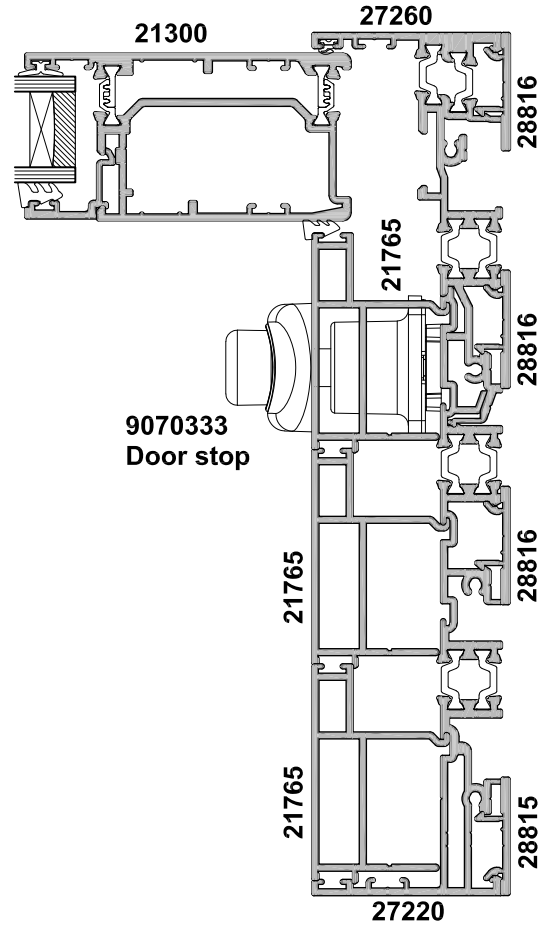
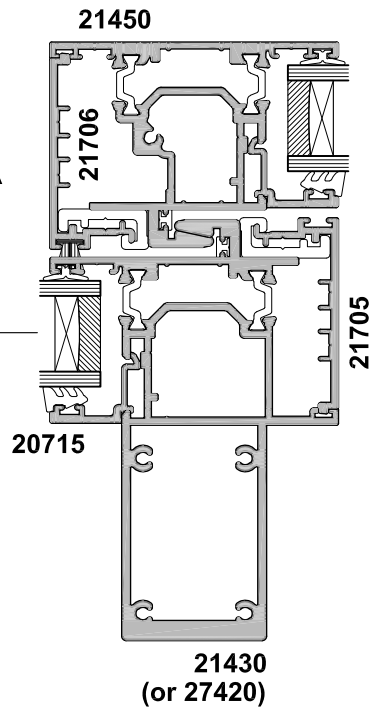
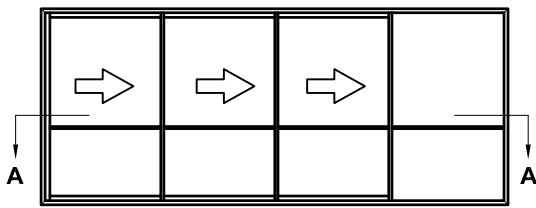


FLANGE INFILL OPTION

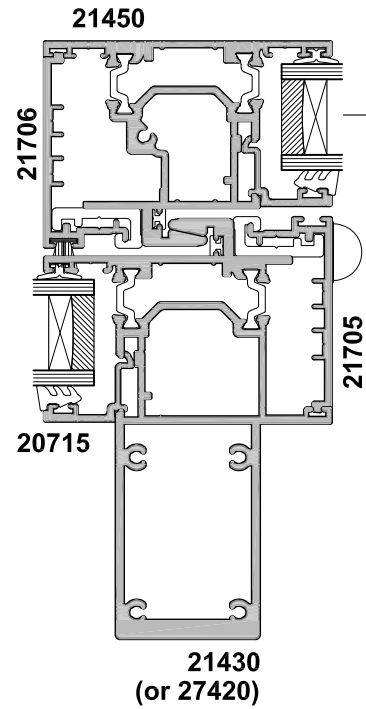
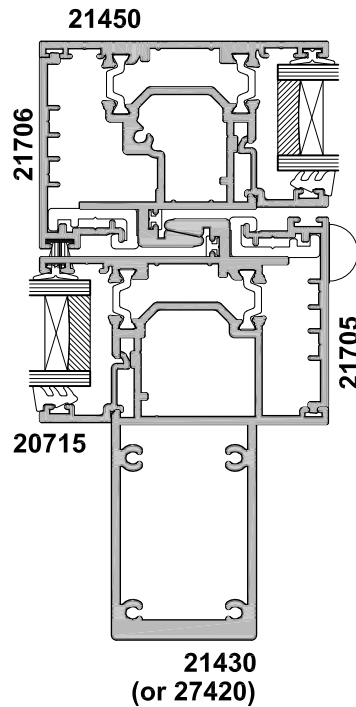


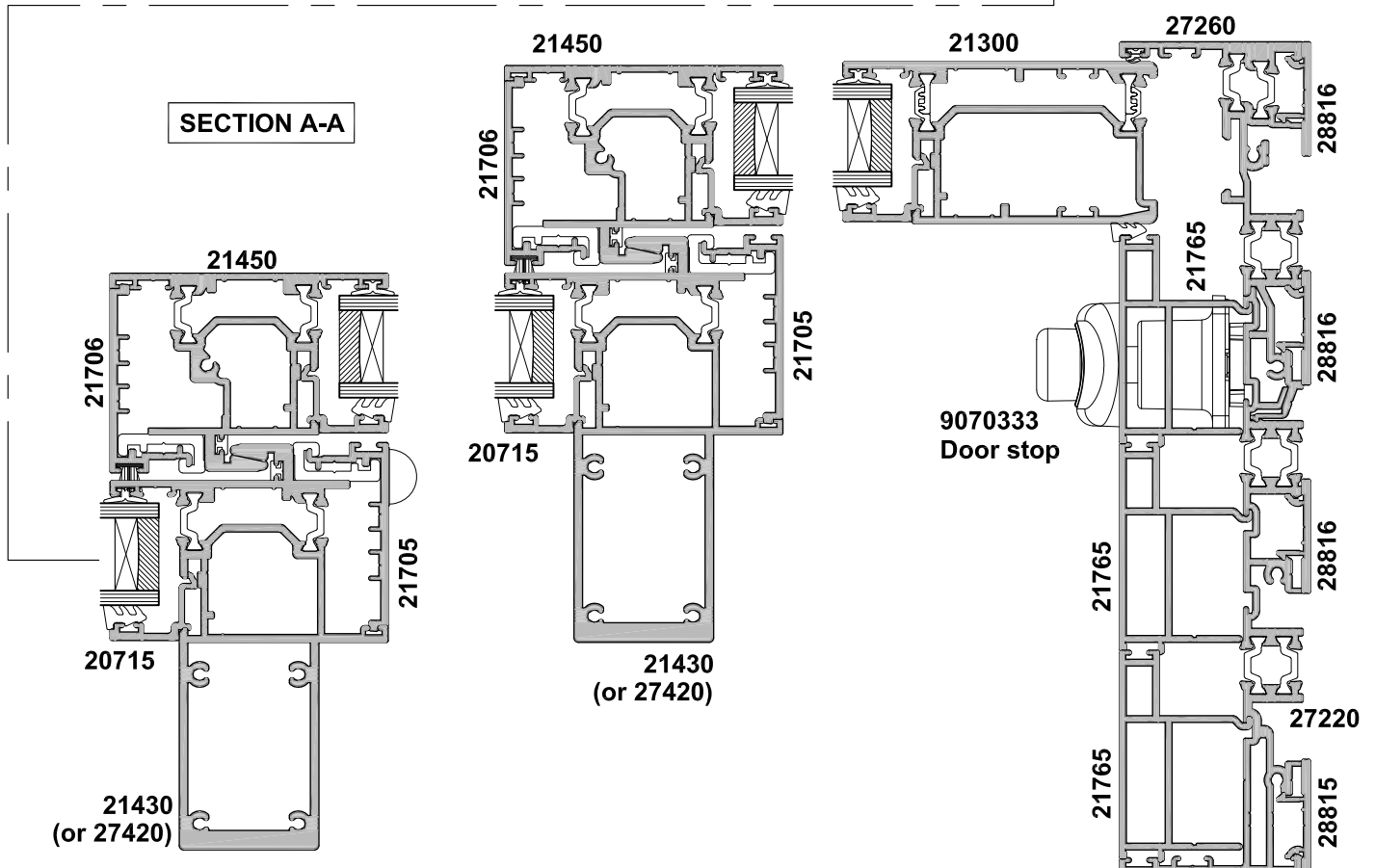
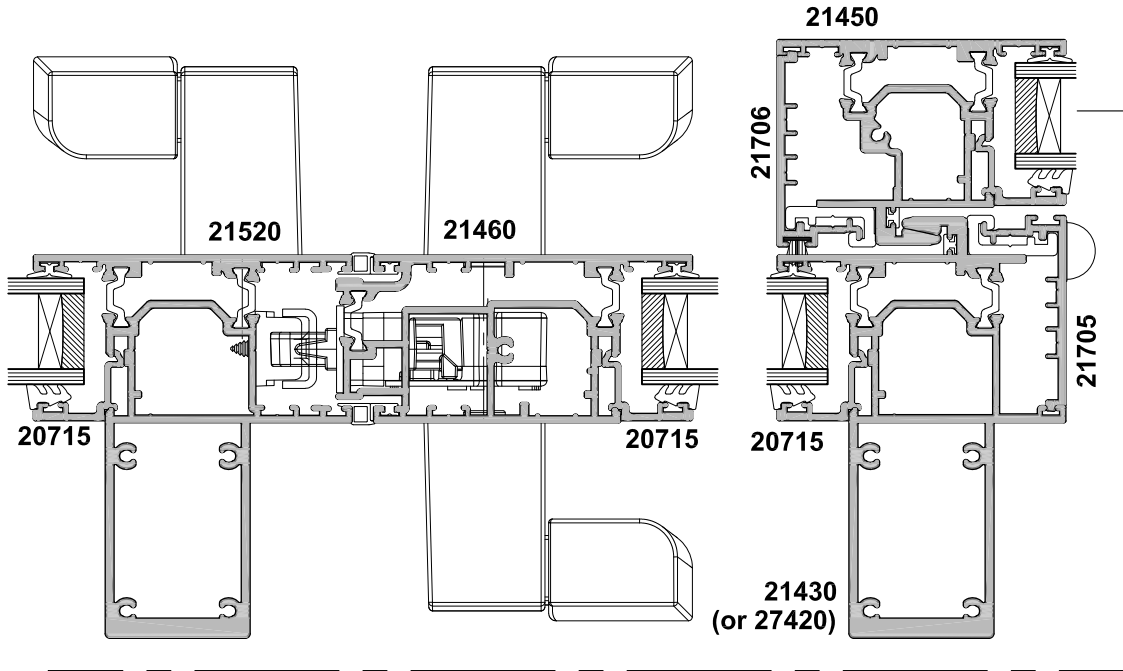
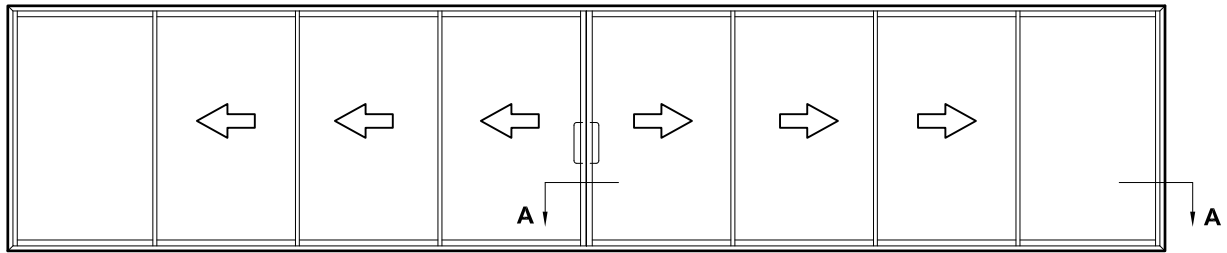


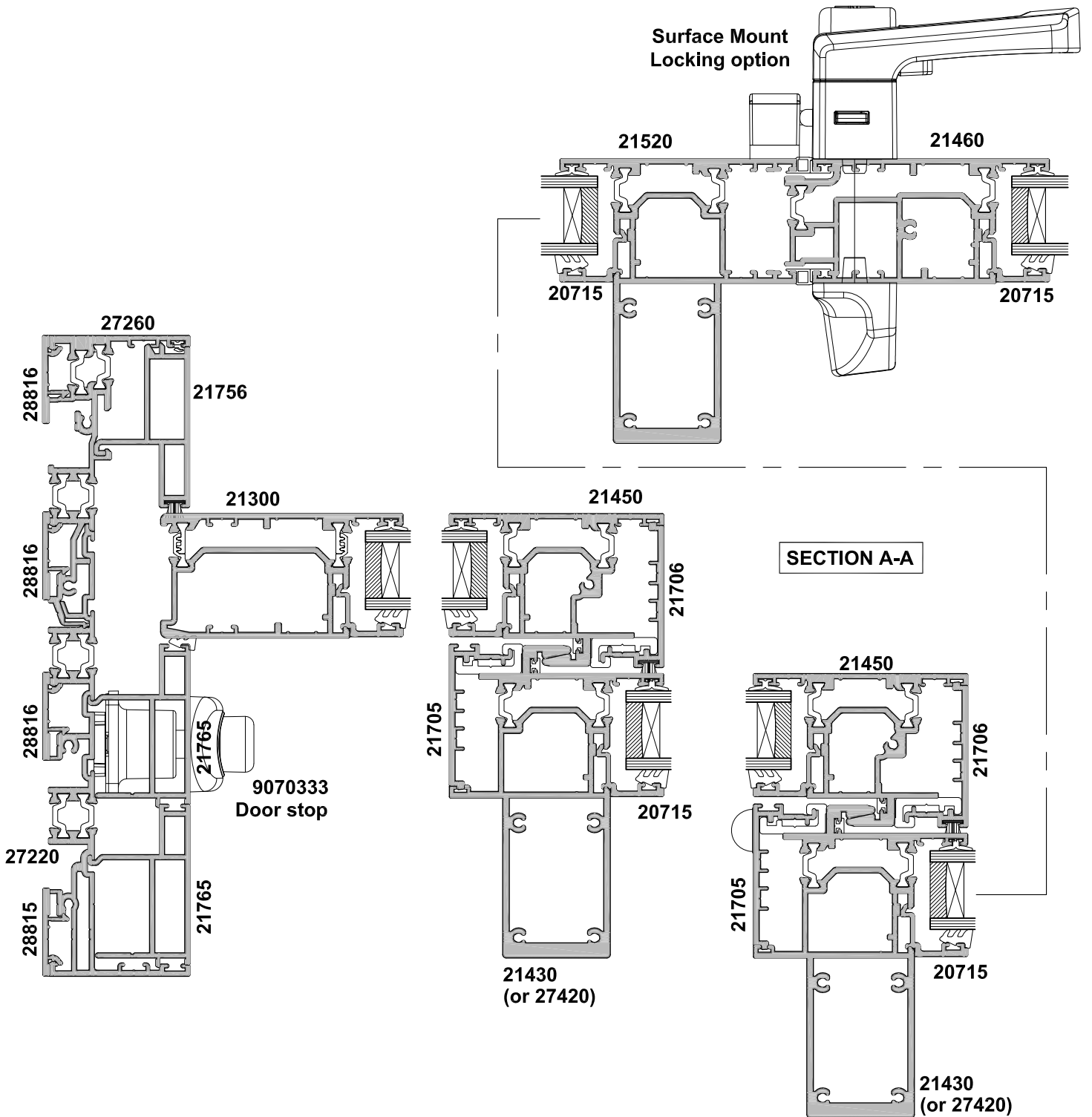
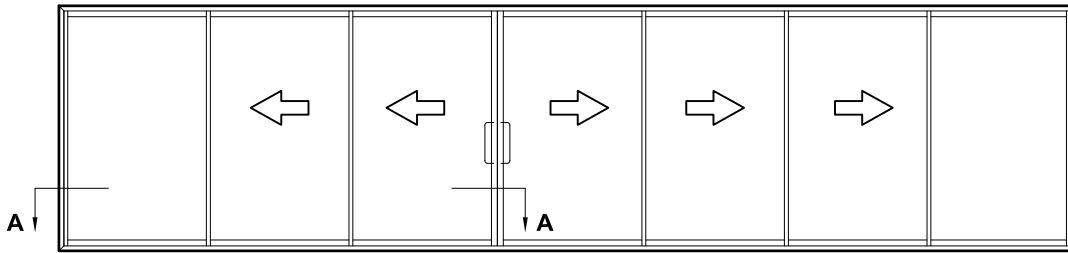


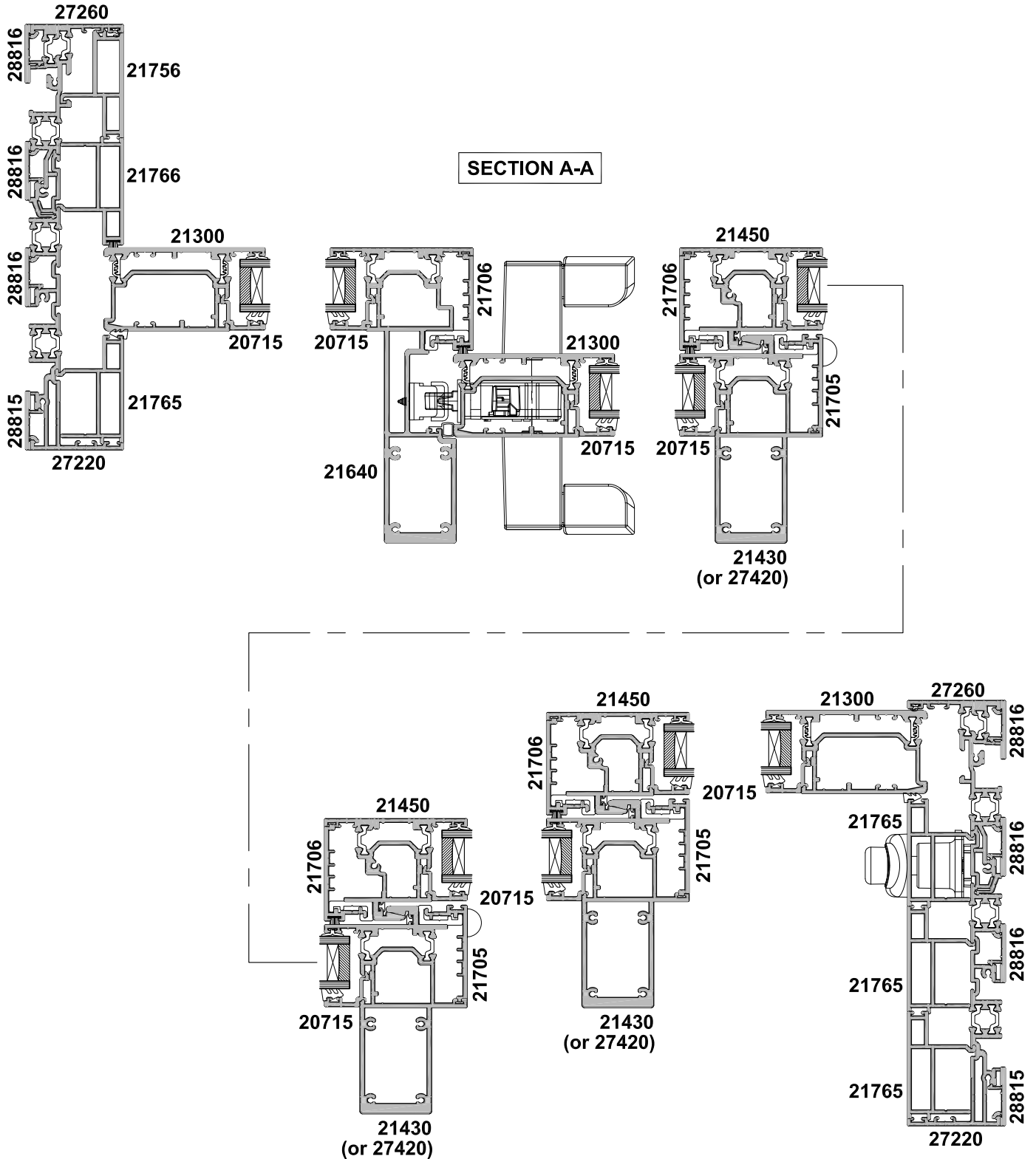
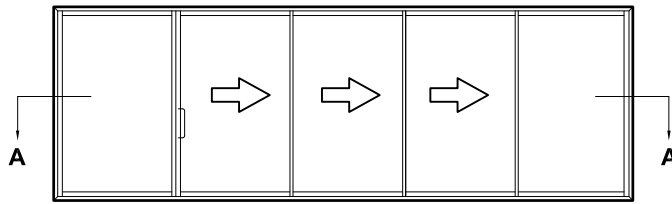


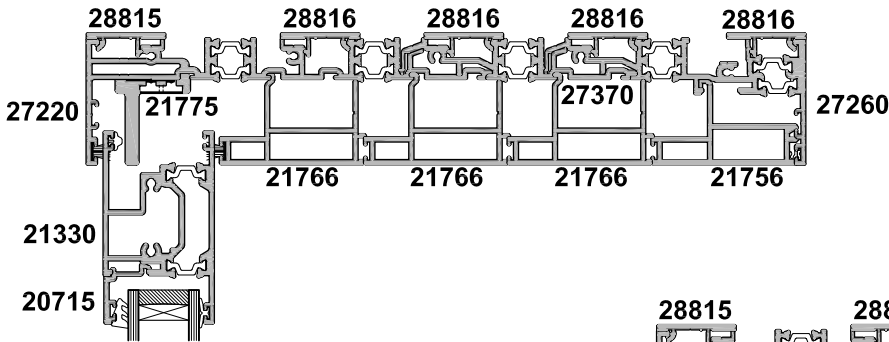
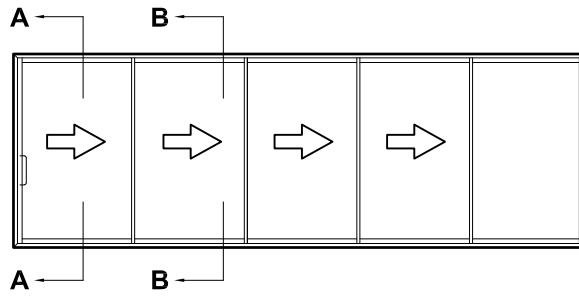
SECTION A-A



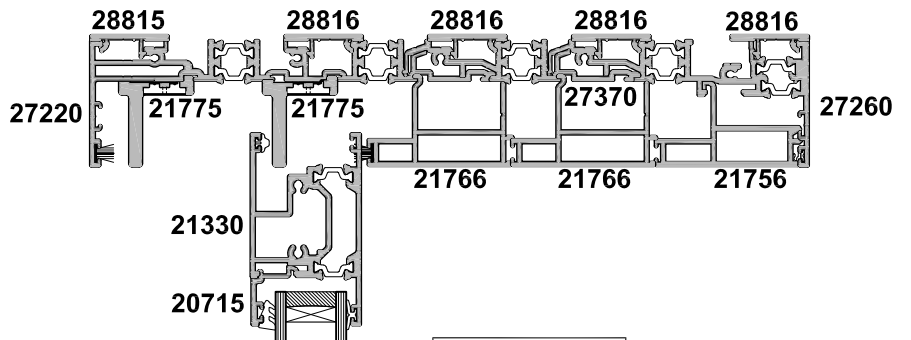




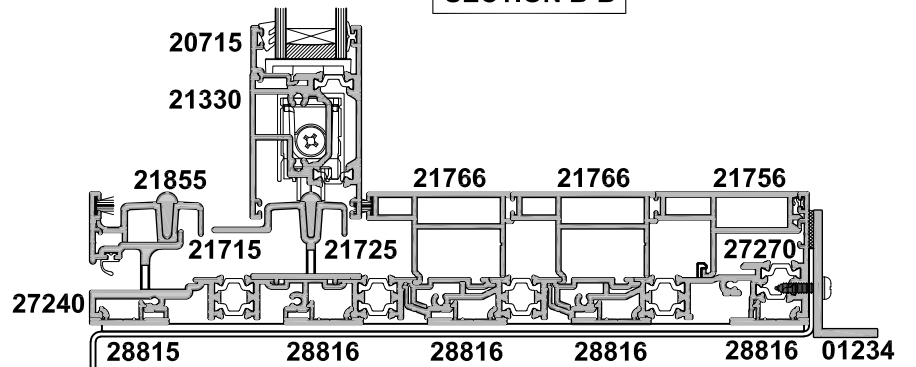




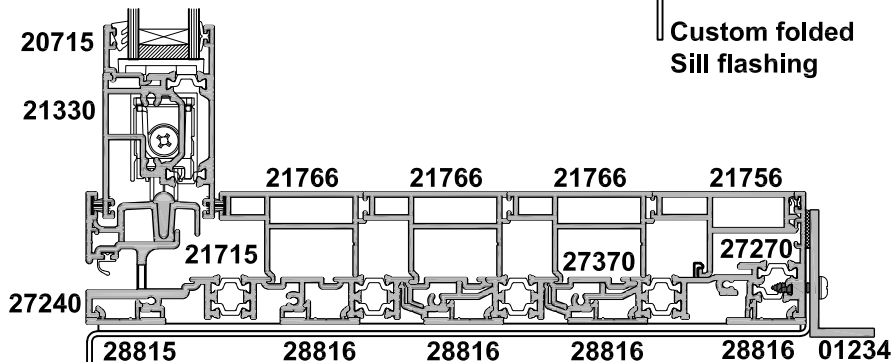
SECTION A-A



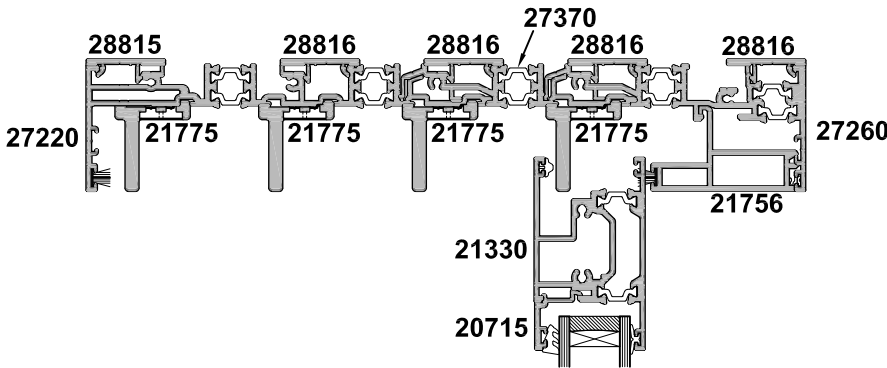
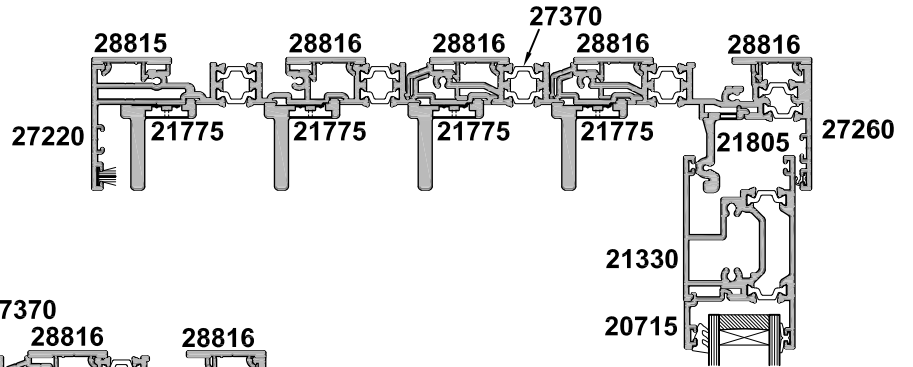
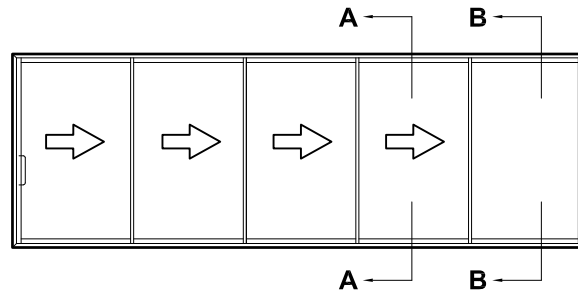
SECTION B-B



SECTION A-A

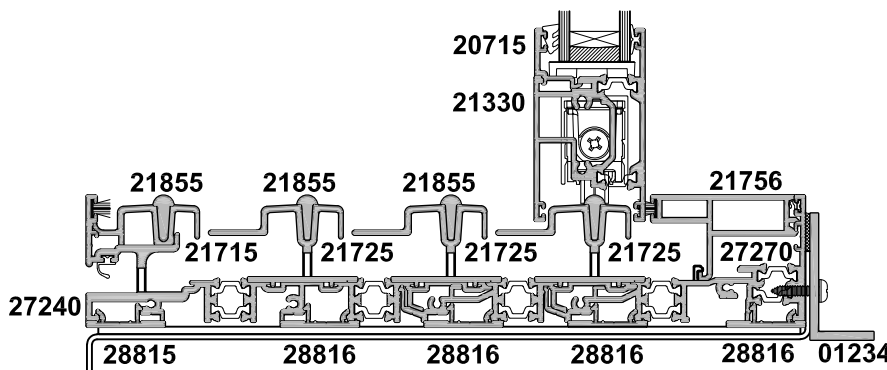


Custom folded
Sill flashing



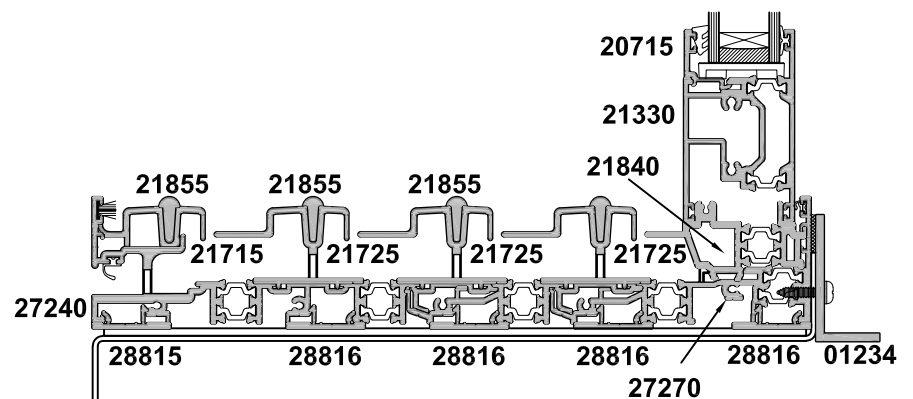
SECTION B-B

SECTION A-A

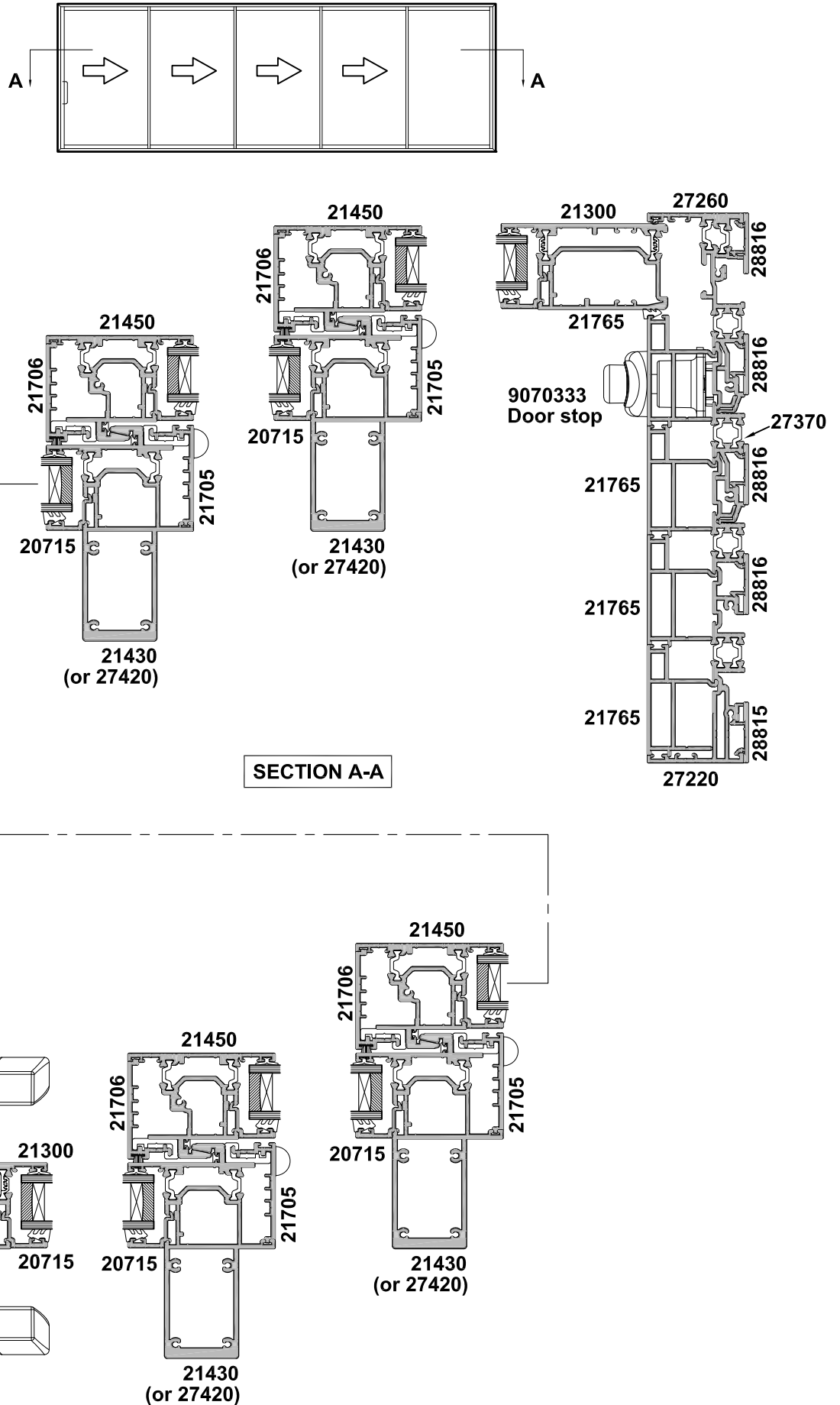


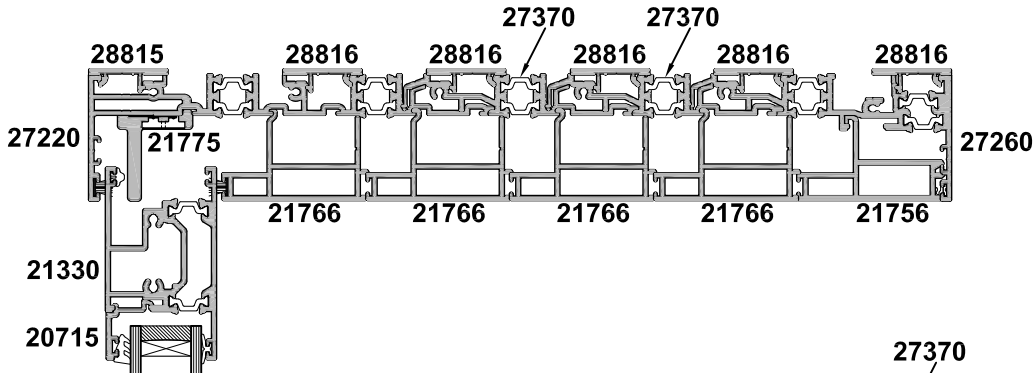
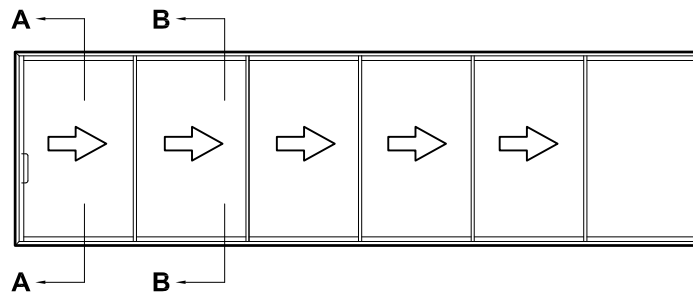
SECTION B-B

Custom folded
Sill flashing

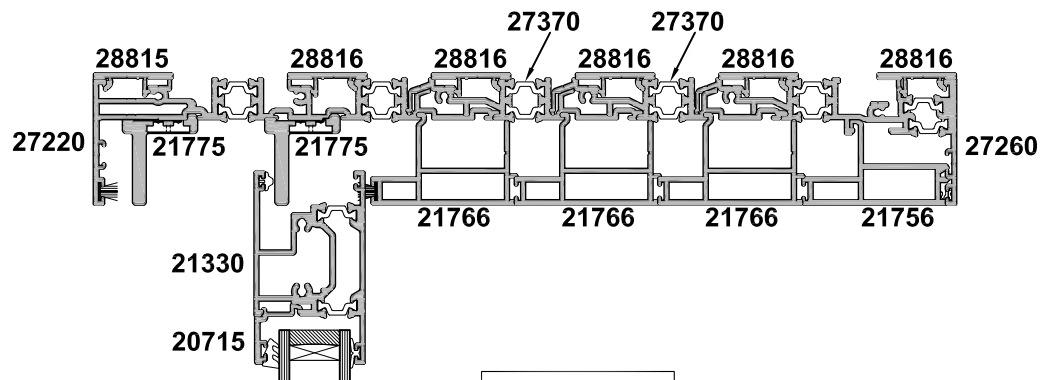


Custom folded
Sill flashing

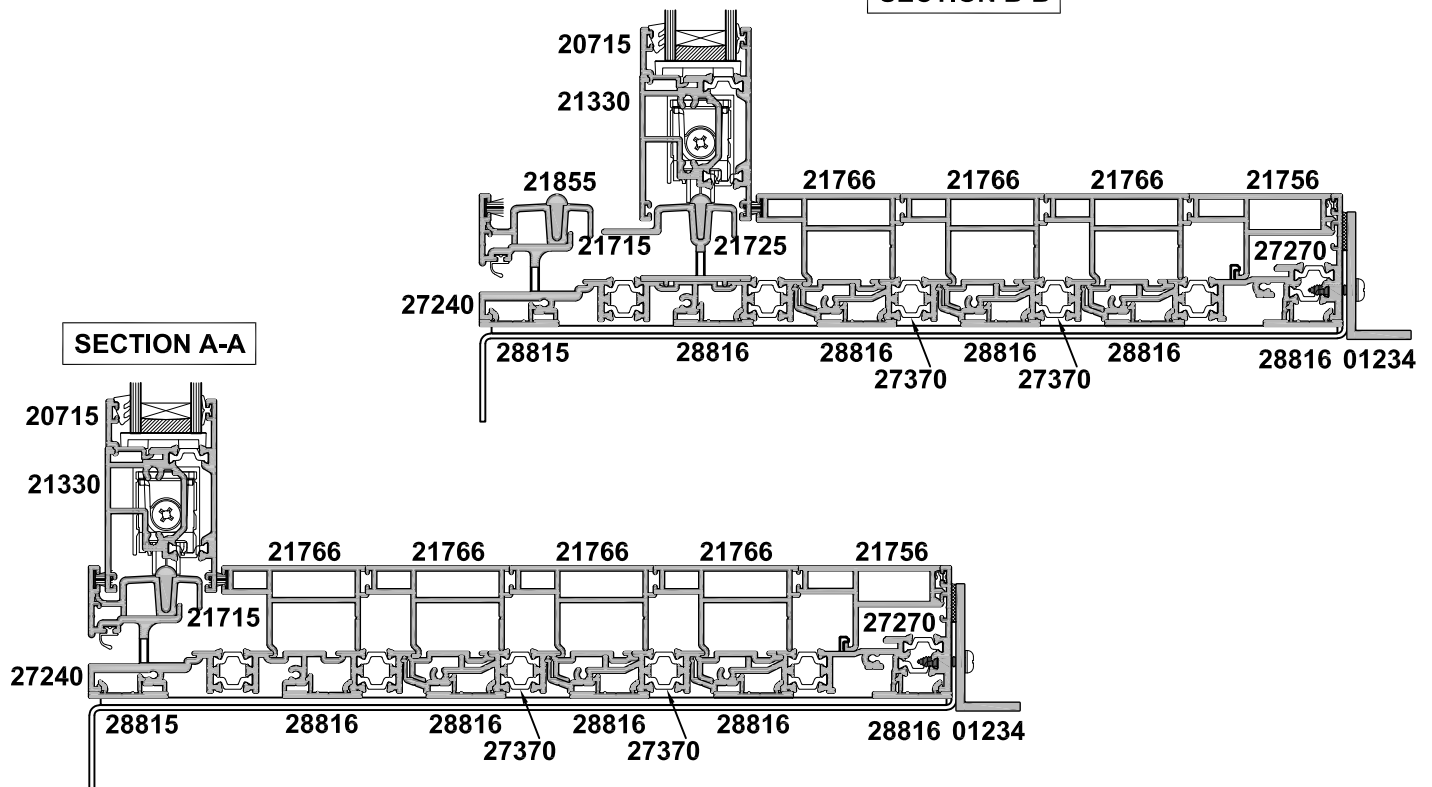




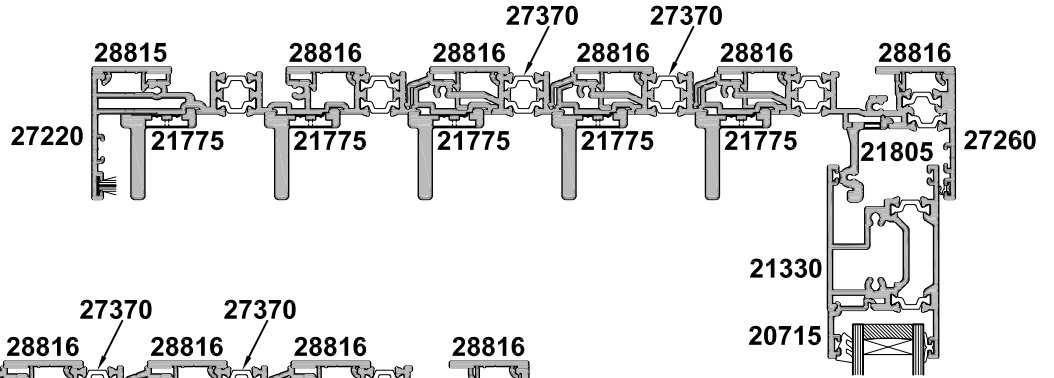
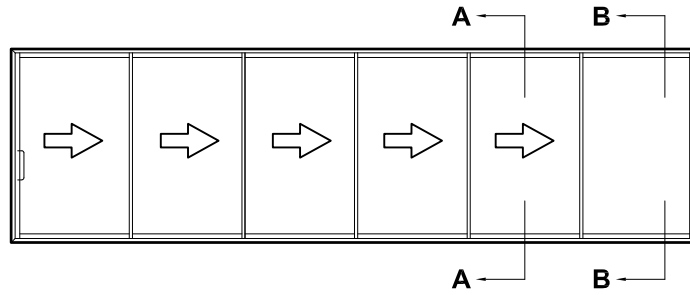
SECTION A-A



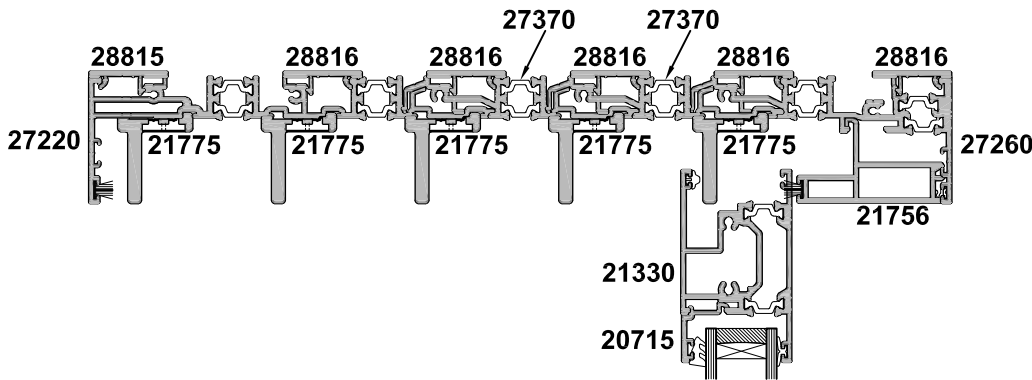
SECTION B-B



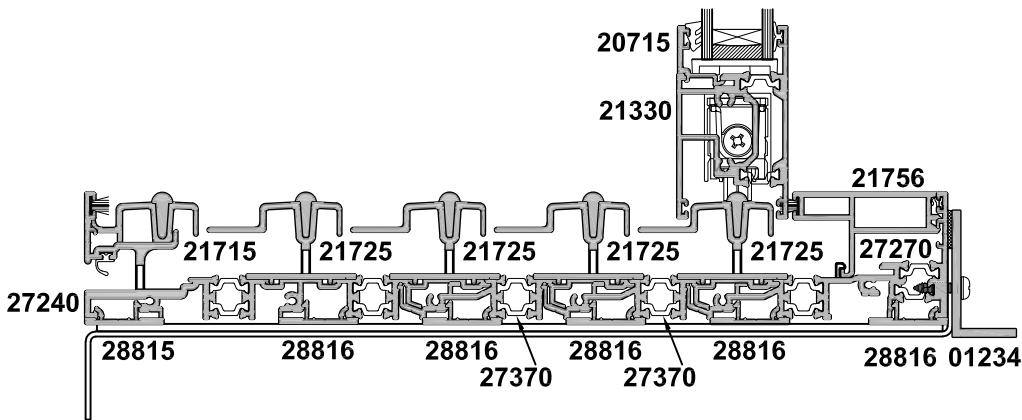
SECTION A-A



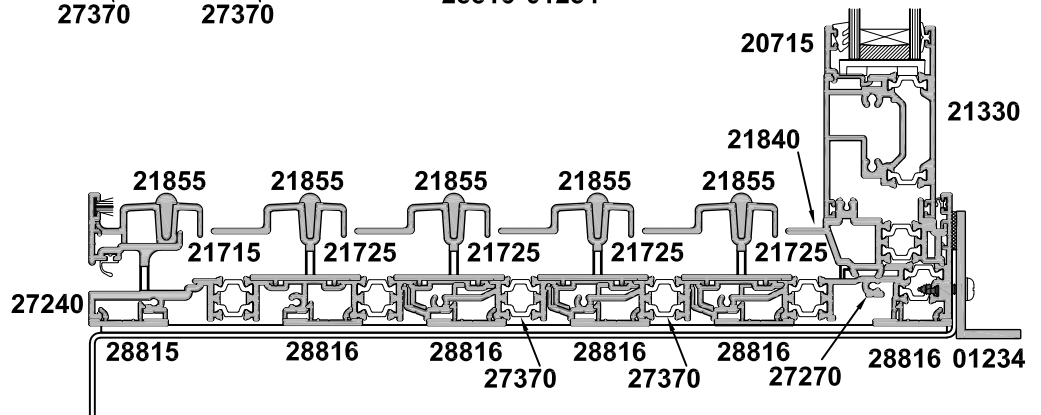
SECTION B-B

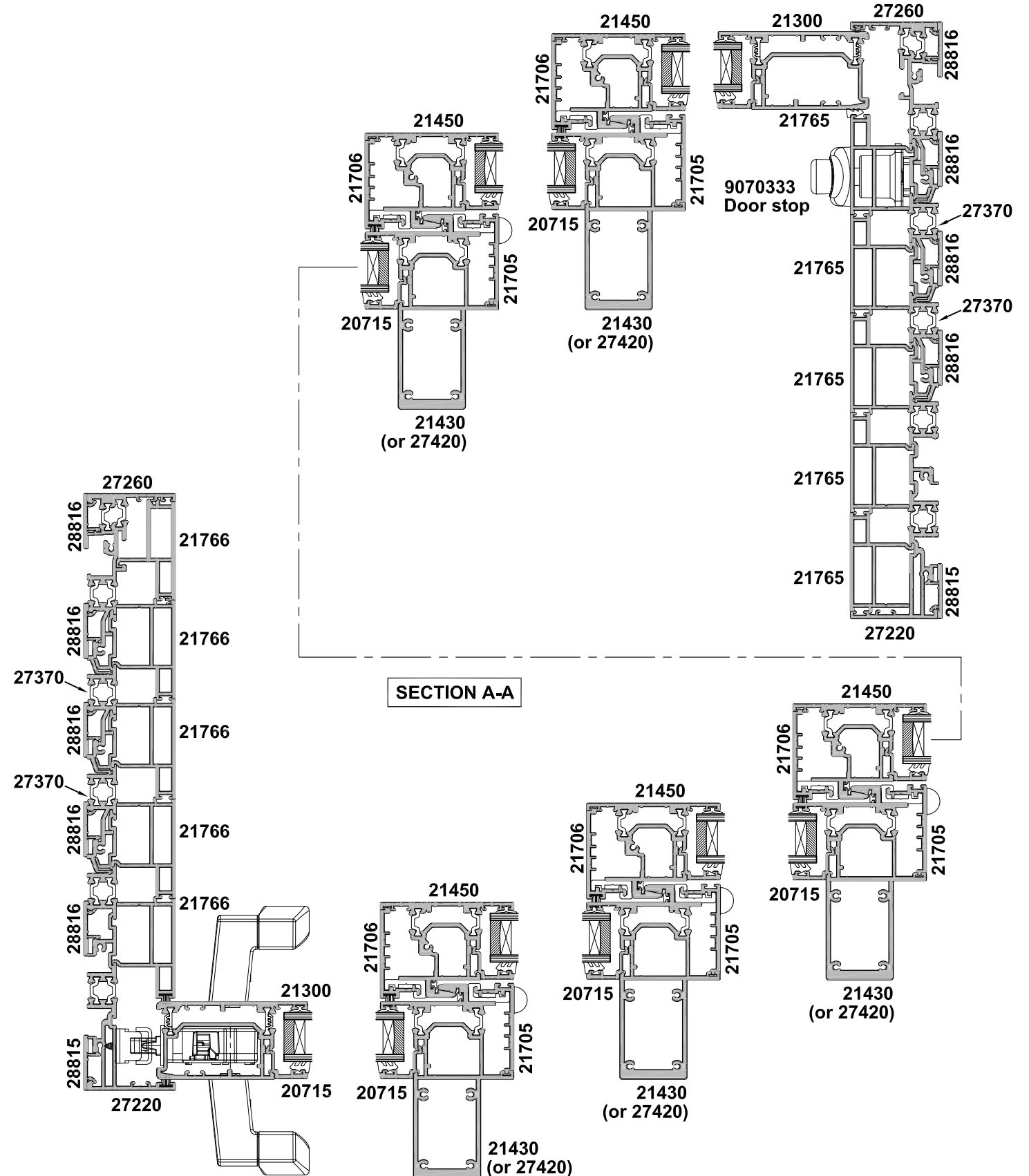
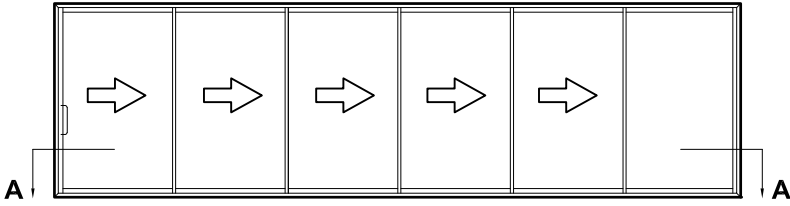


SECTION A-A

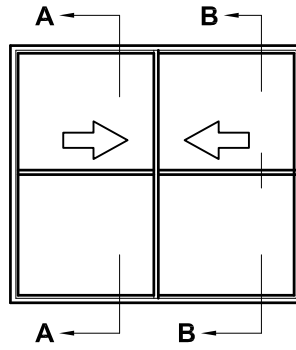


SECTION B-B

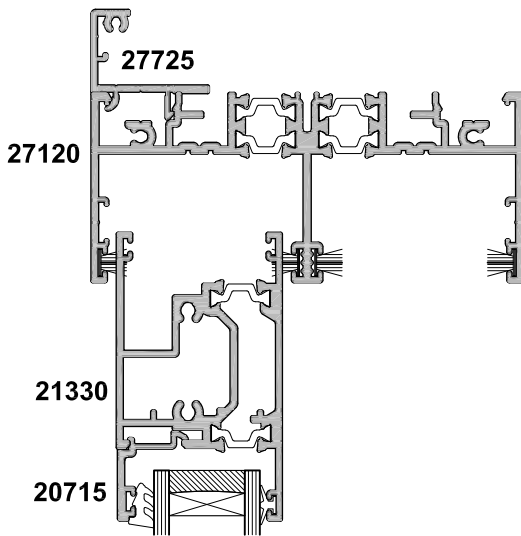




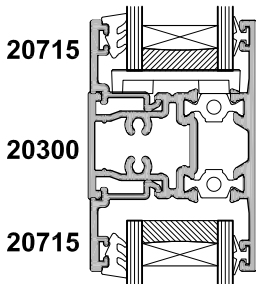
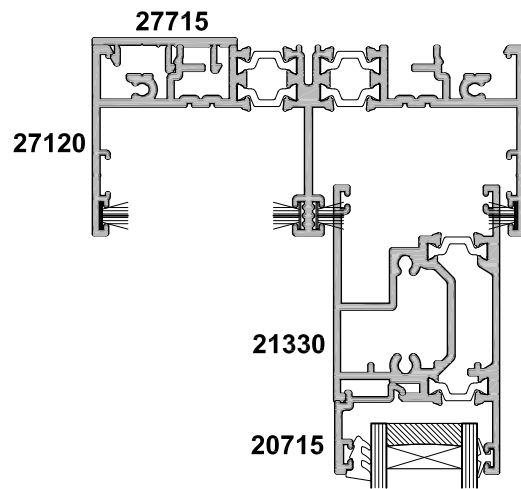
NB: Technical specification subject to change without notice



**FLANGE INFILL
OPTION**

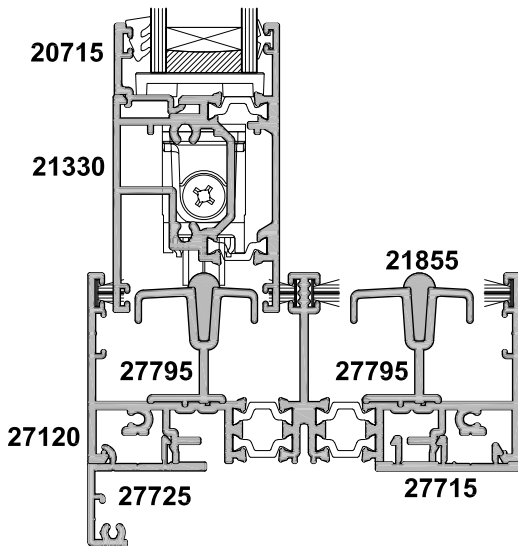
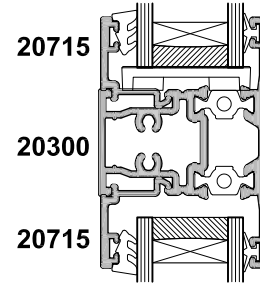


FLAT INFILL OPTION

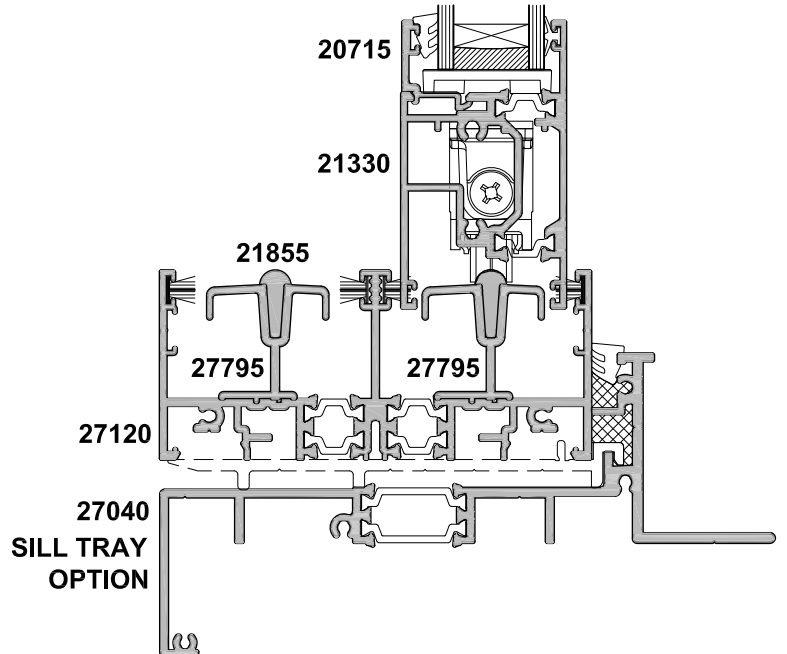


SECTION A-A

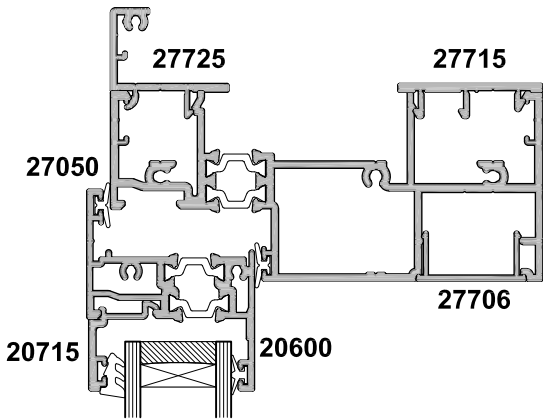
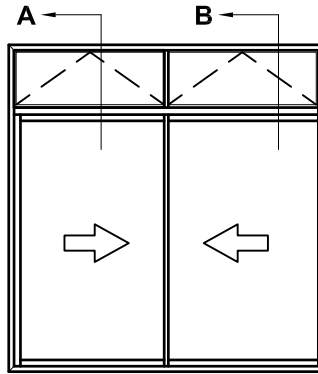
SECTION B-B



**FLANGE INFILL
OPTION**

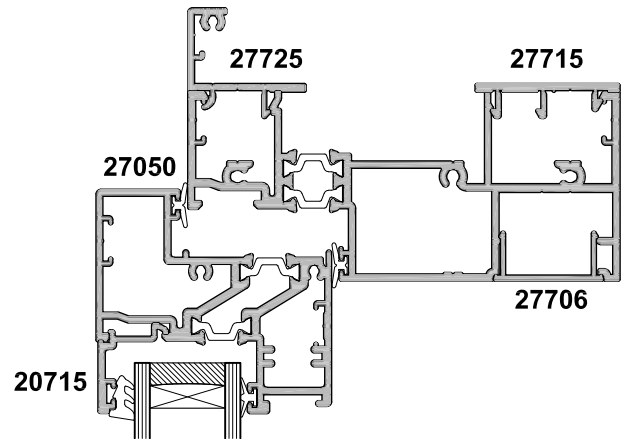


**27040
SILL TRAY
OPTION**



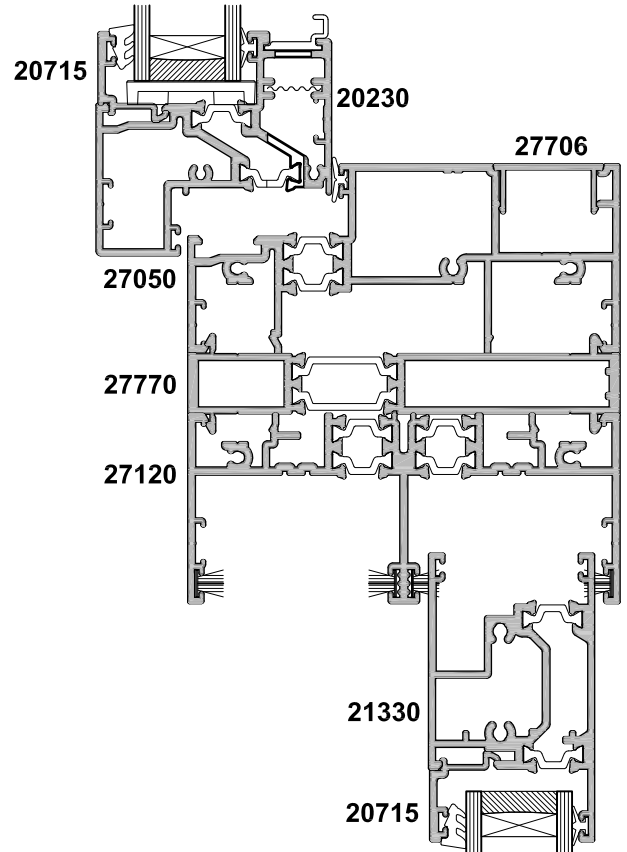
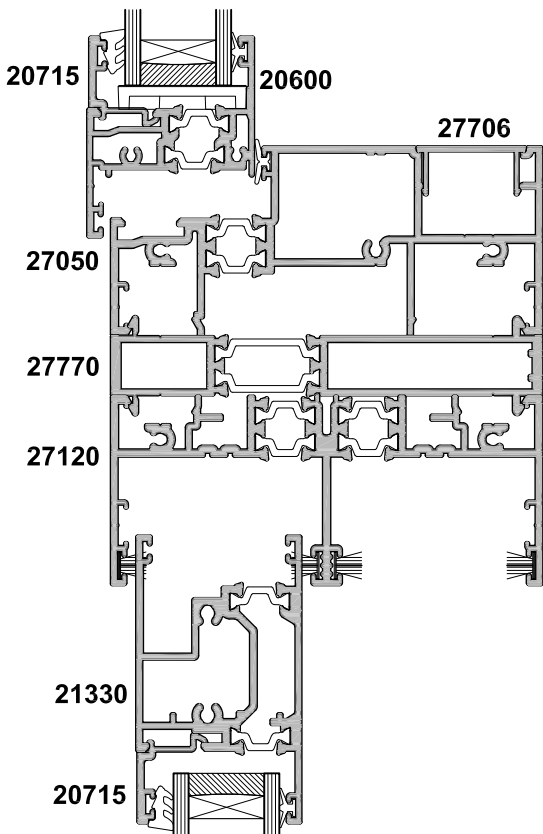
**STANDARD
SASH OPTION**

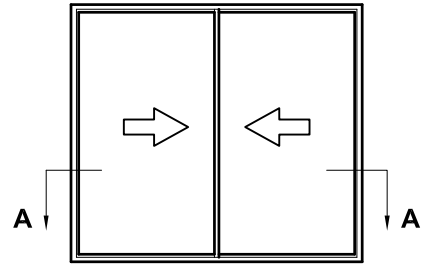
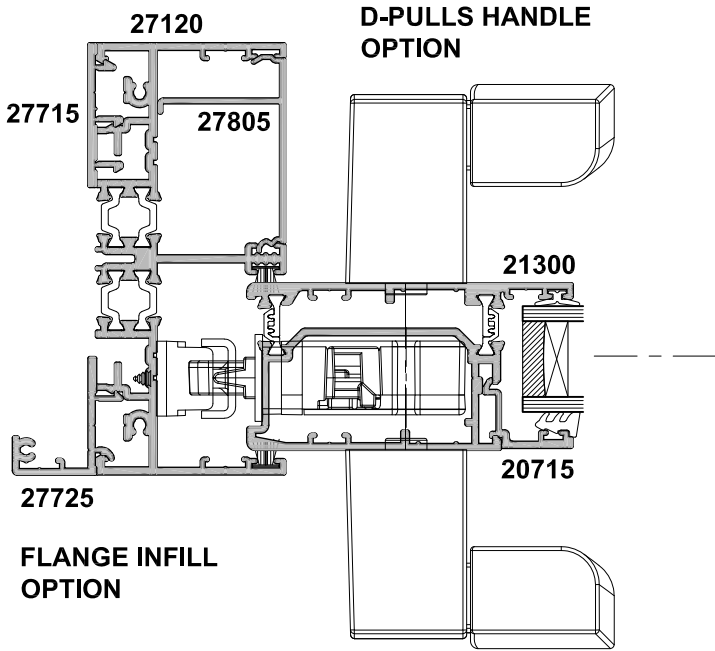
SECTION A-A



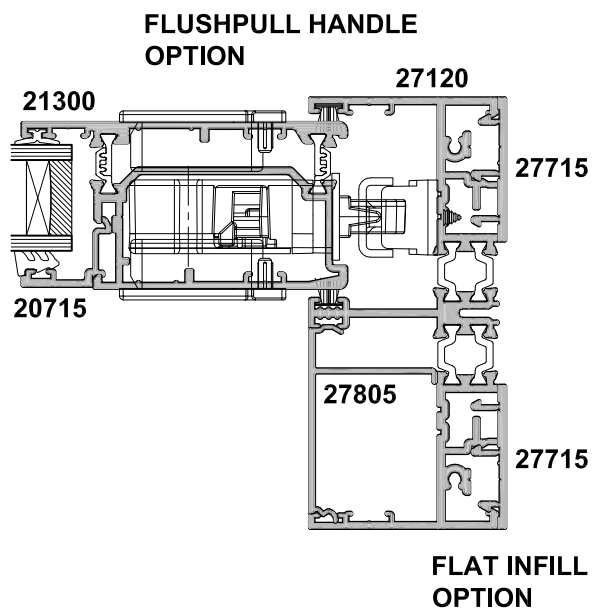
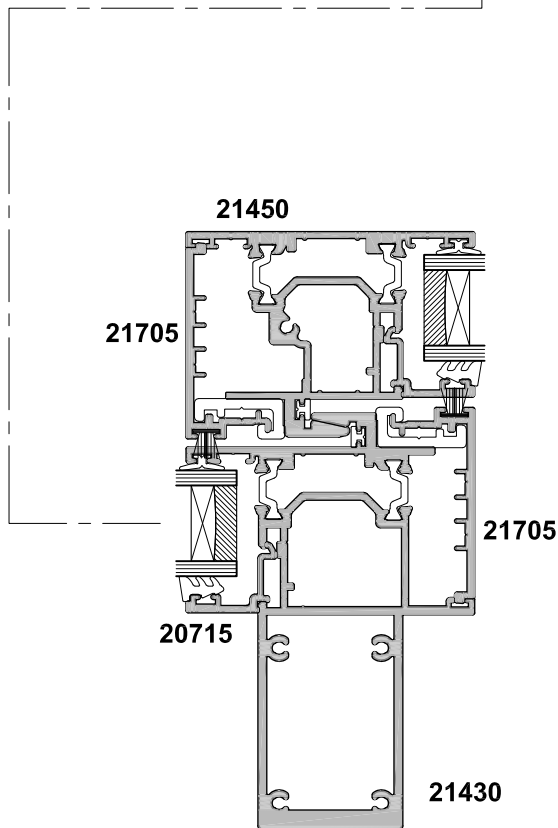
**VENTED SASH
OPTION**

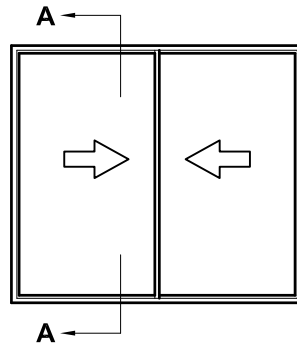
SECTION B-B



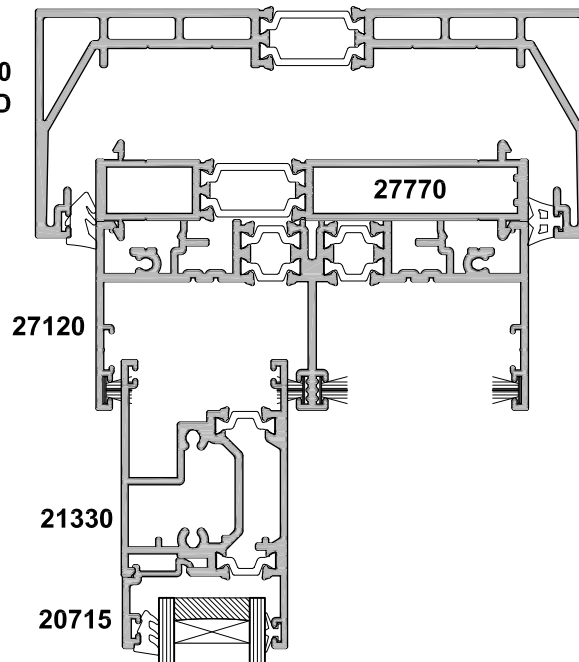


SECTION A-A



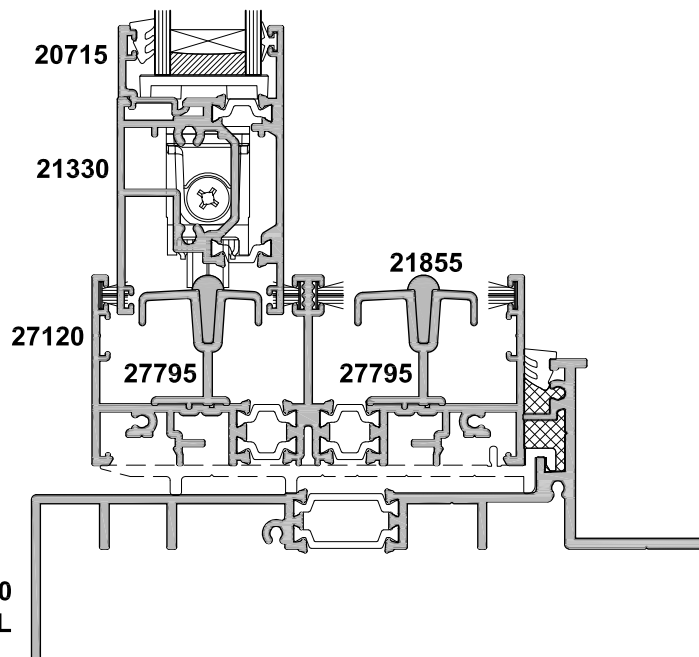


**31010
SEISMIC HEAD**

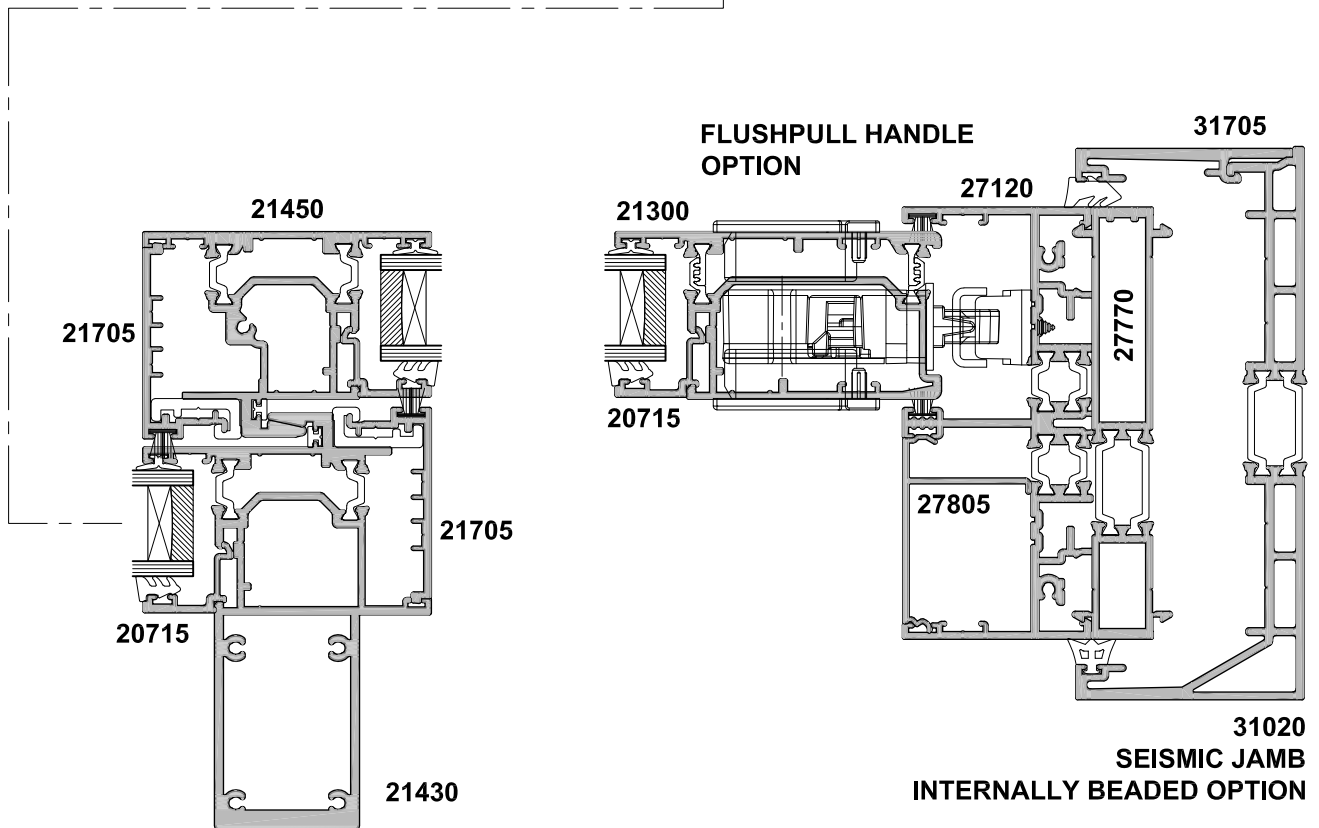
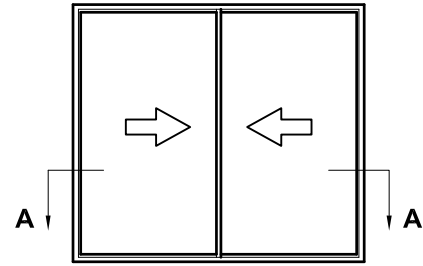
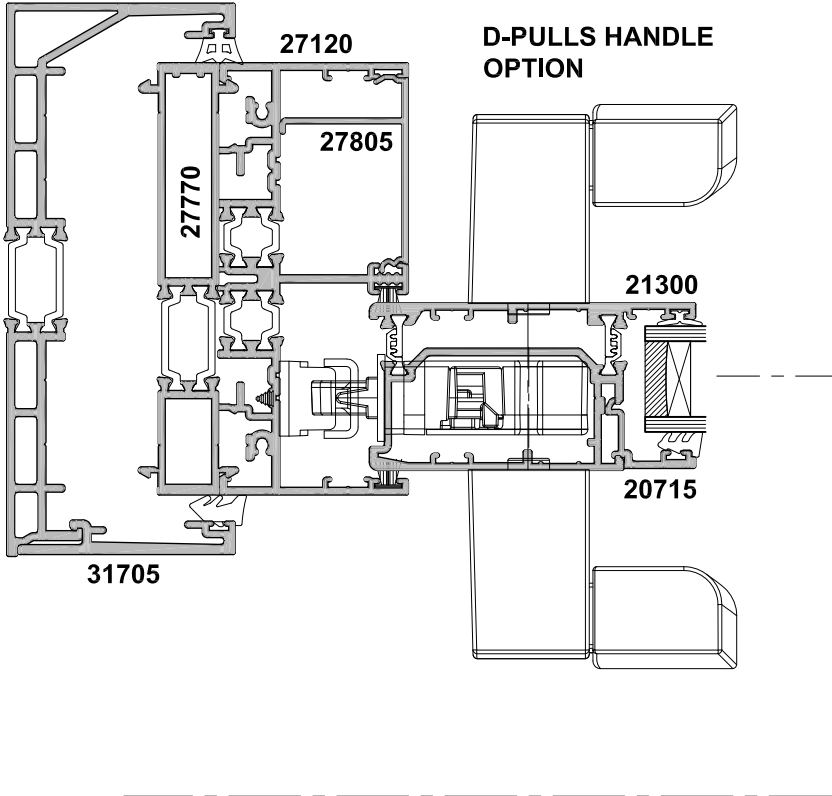


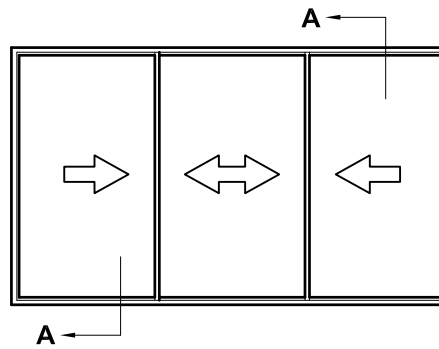
SECTION A-A

**28120
SEISMIC SILL**

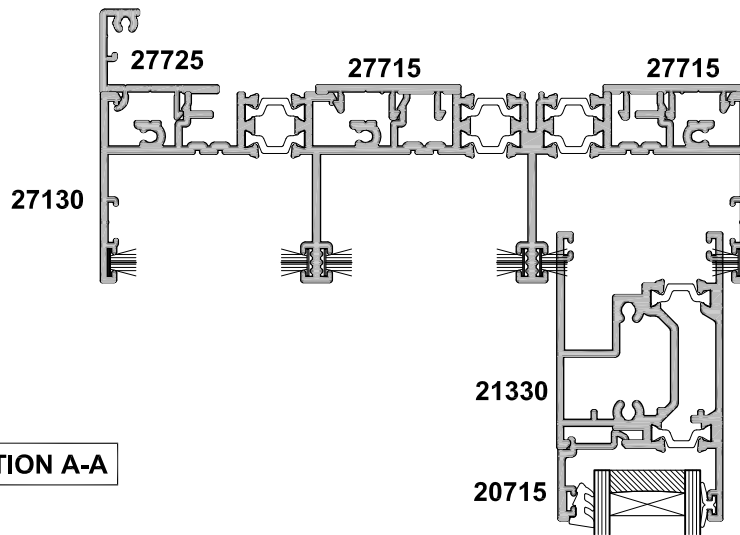


**31020
SEISMIC JAMB
EXTERNALLY BEADED OPTION**

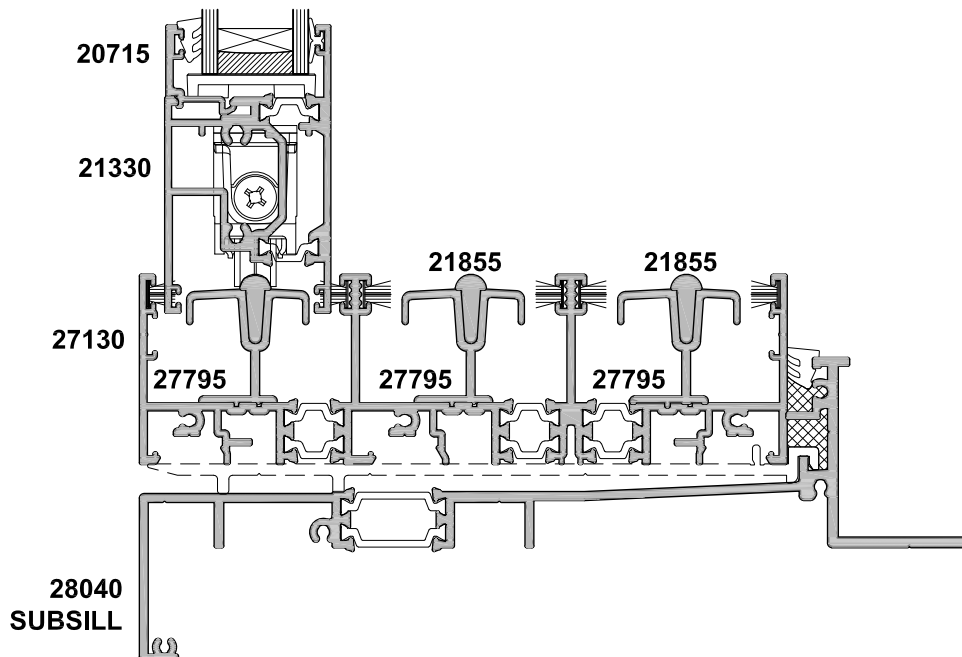


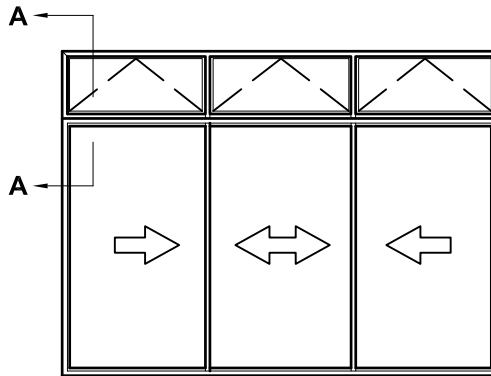


**FLANGE INFILL
OPTION**

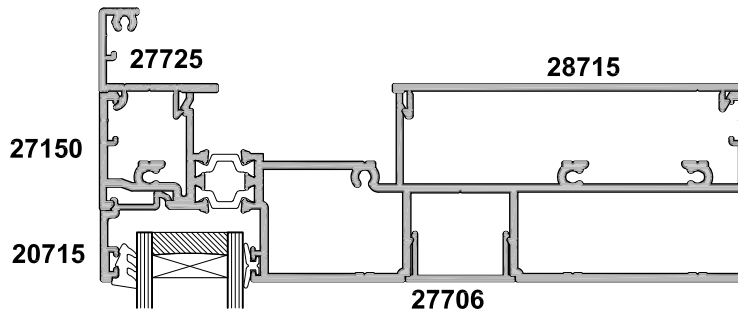


SECTION A-A

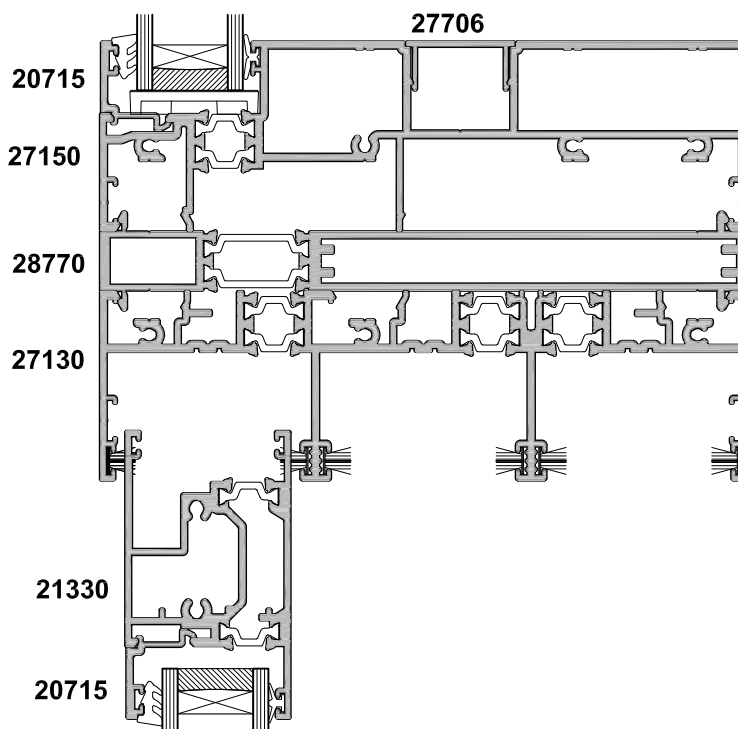


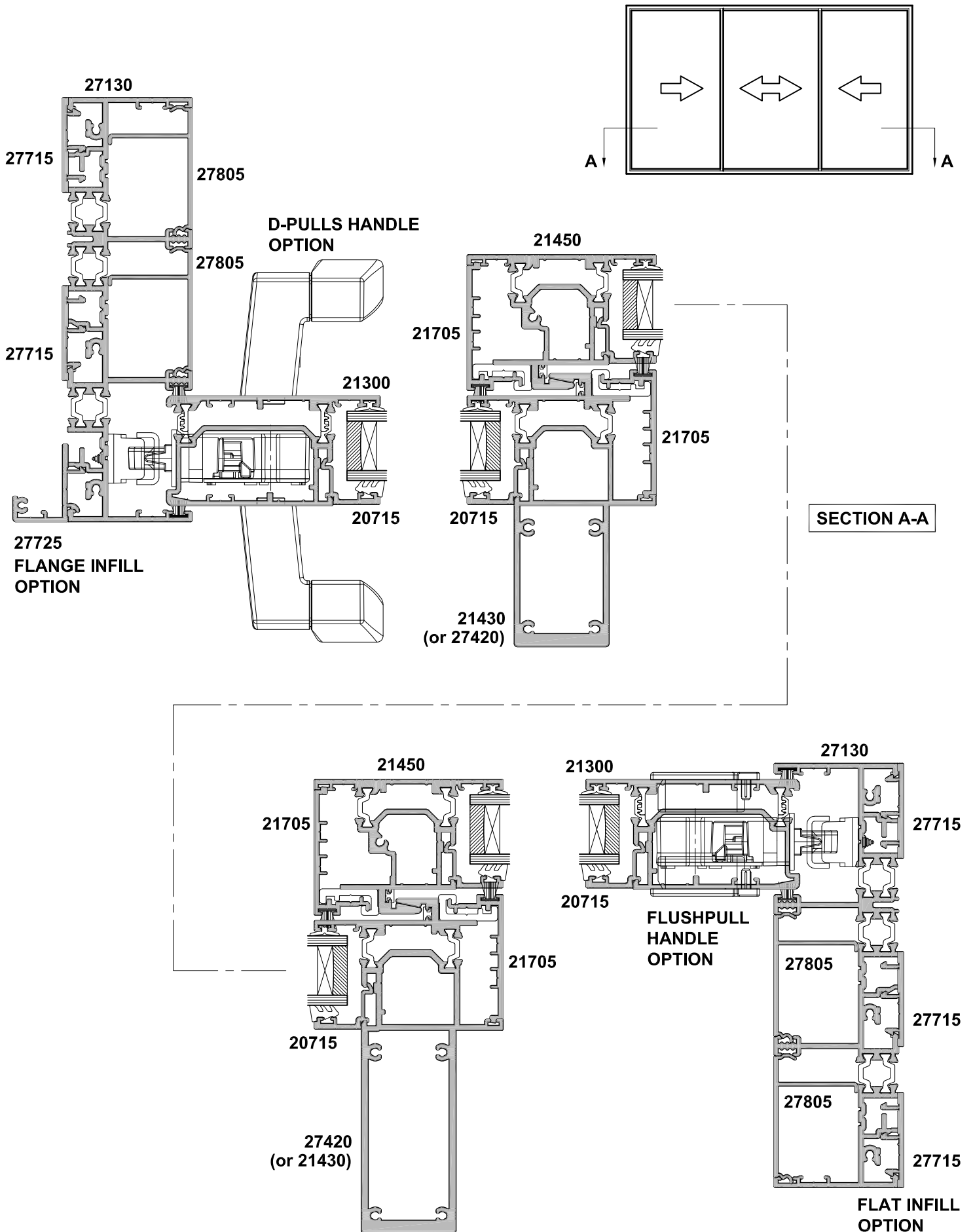


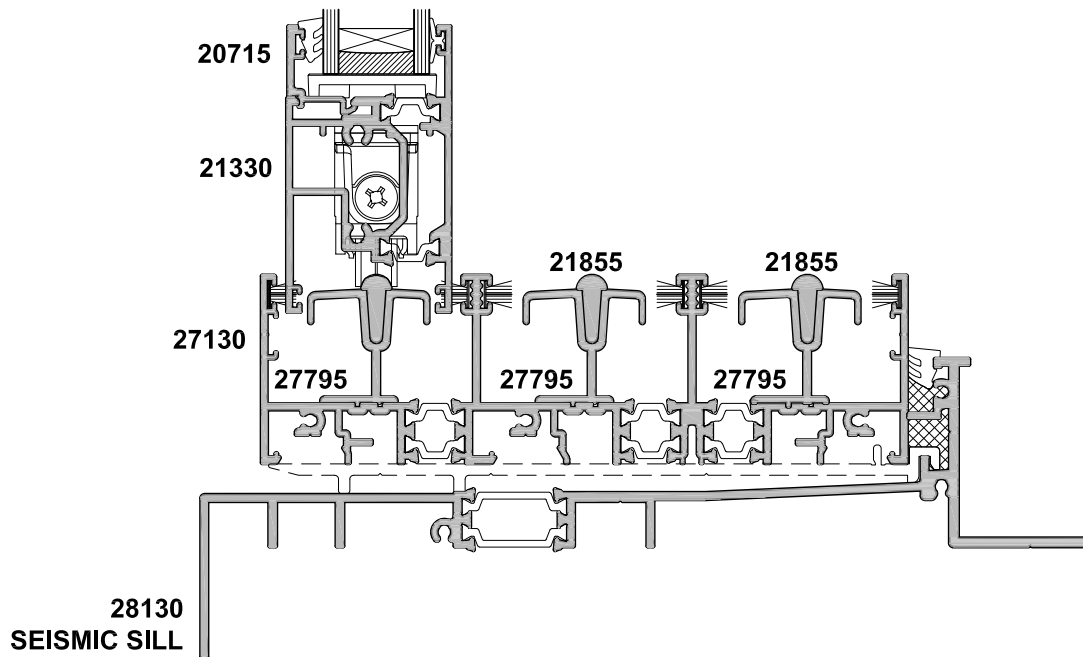
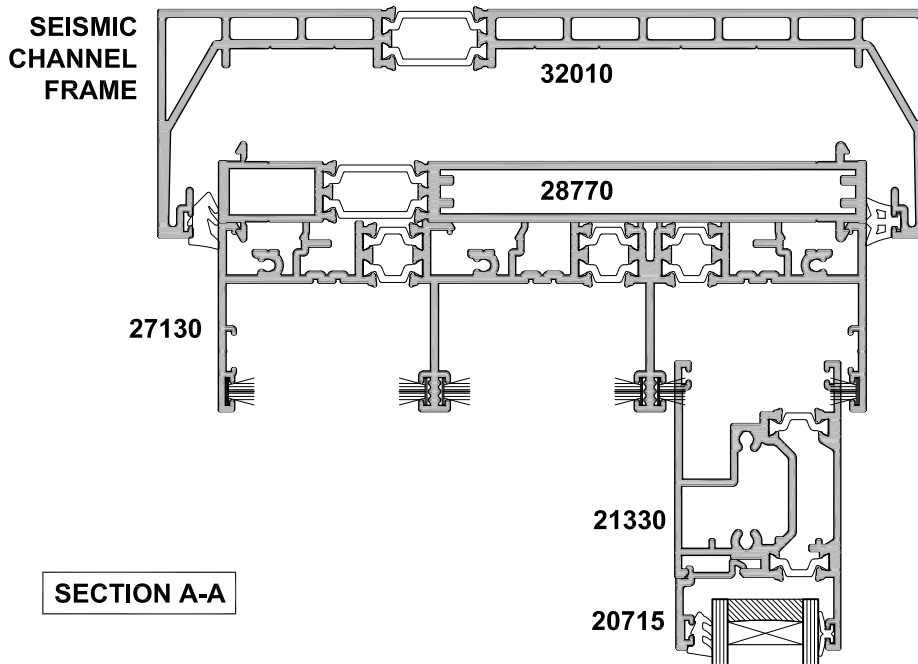
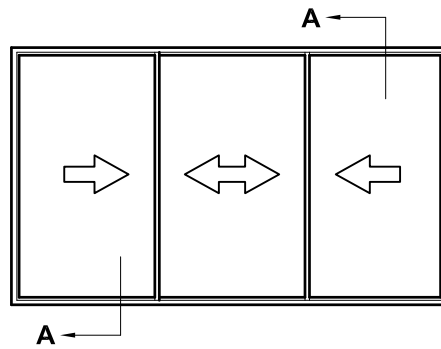
**FLANGE INFILL
OPTION**

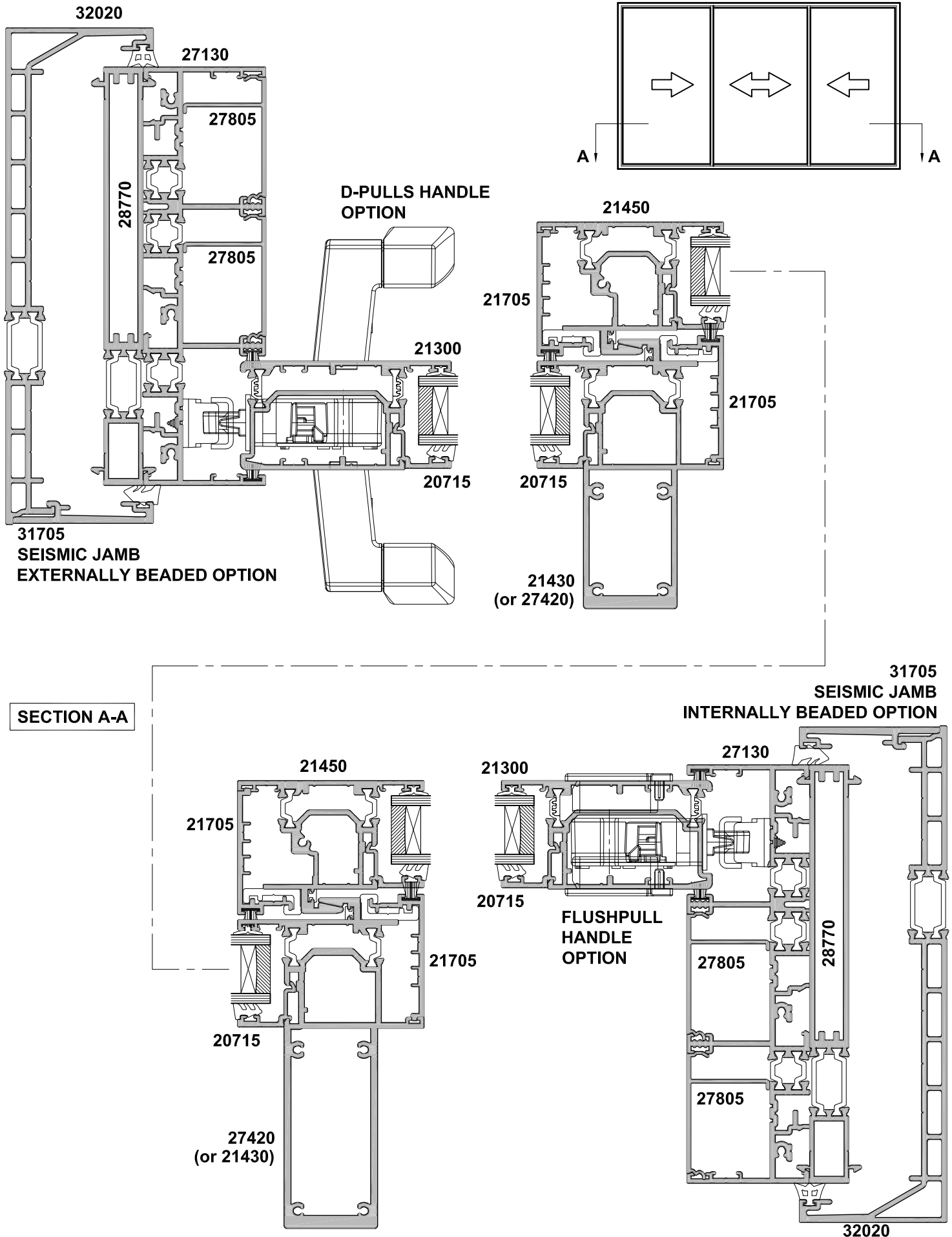


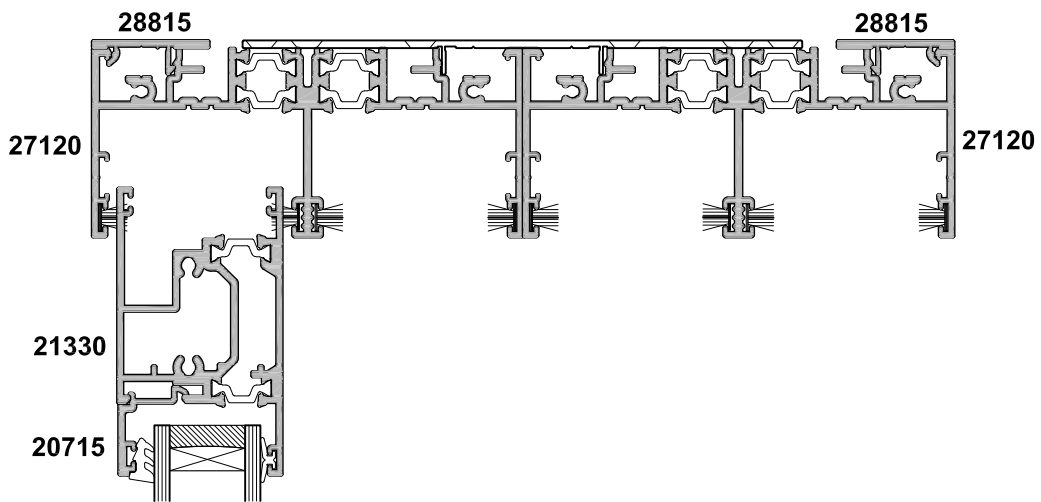
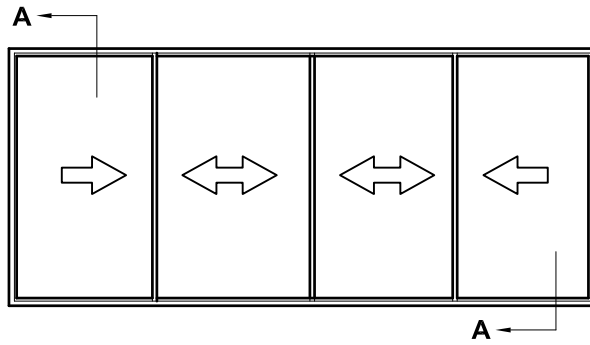
SECTION A-A











SECTION A-A

