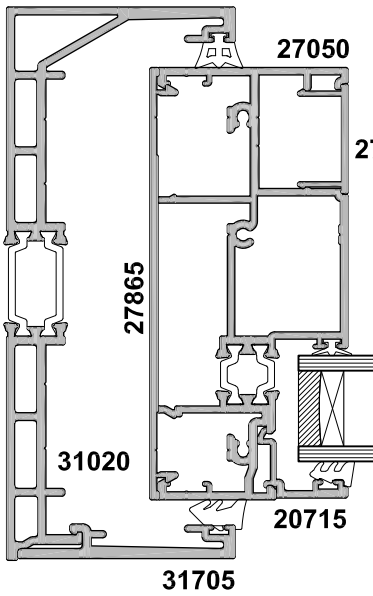
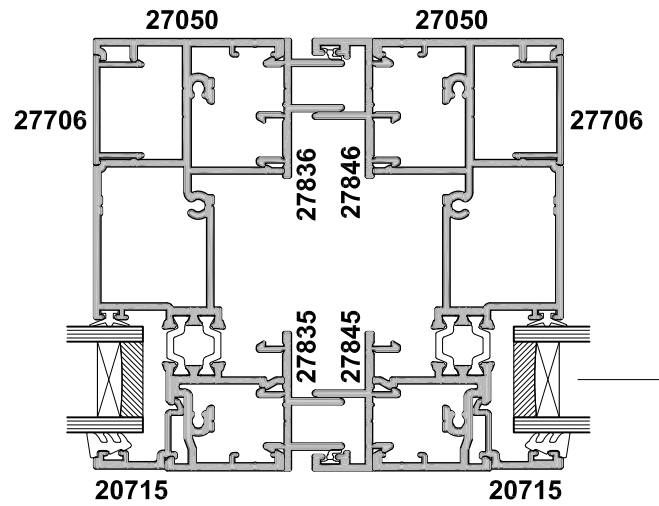


**SEISMIC JAMB
EXTERNALLY
BEADED OPTION**

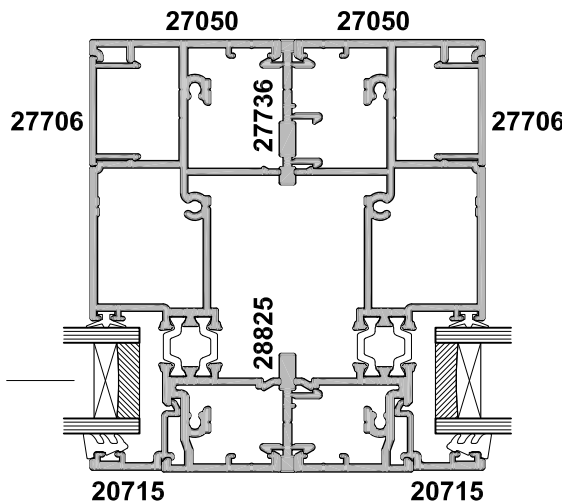


**EXPANSION COUPLER
MULLION OPTION**



SECTION A-A

**THIN COUPLER
MULLION OPTION**



**SEISMIC JAMB
INTERNALLY
BEADED OPTION**

