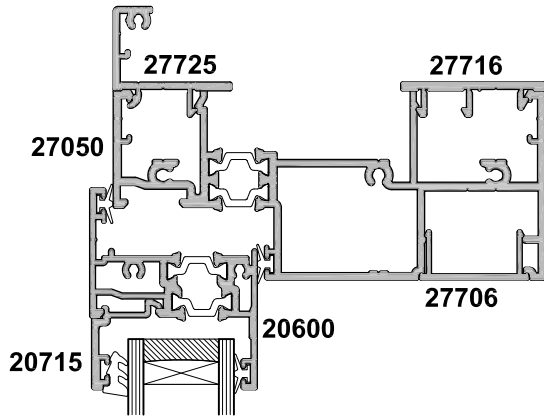
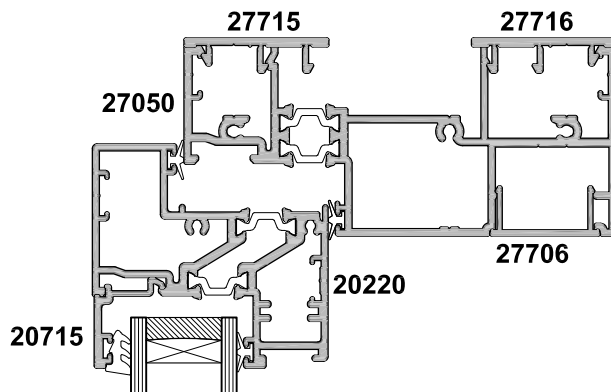


**FLANGE INFILL
OPTION**

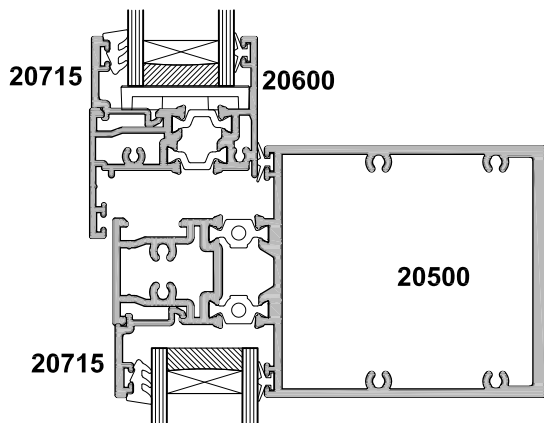


FLAT INFILL OPTION

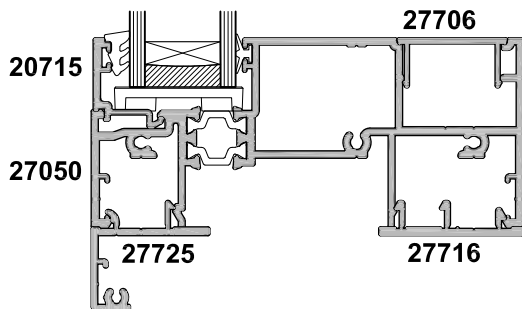
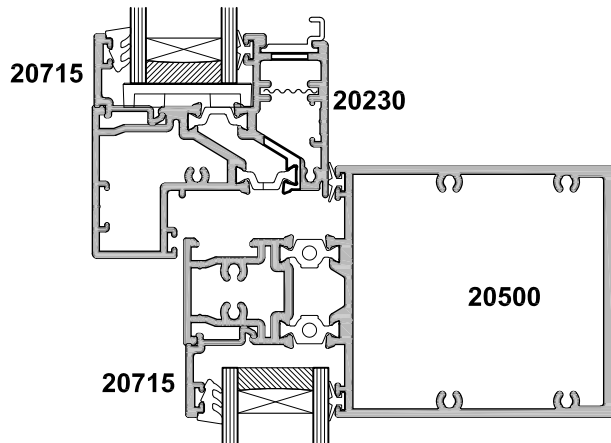


**STANDARD
SASH OPTION**

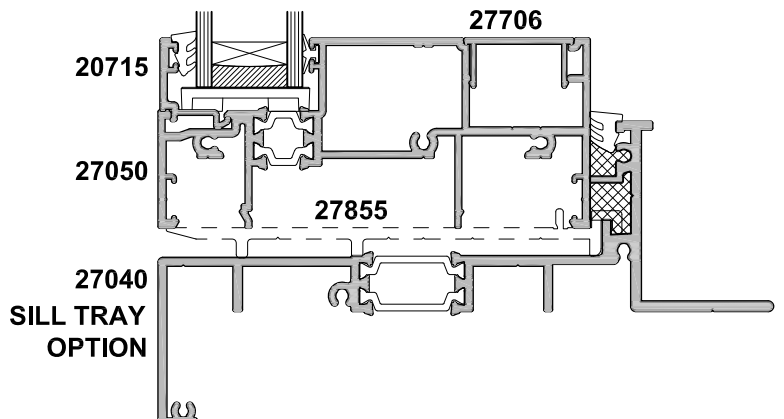
SECTION A-A



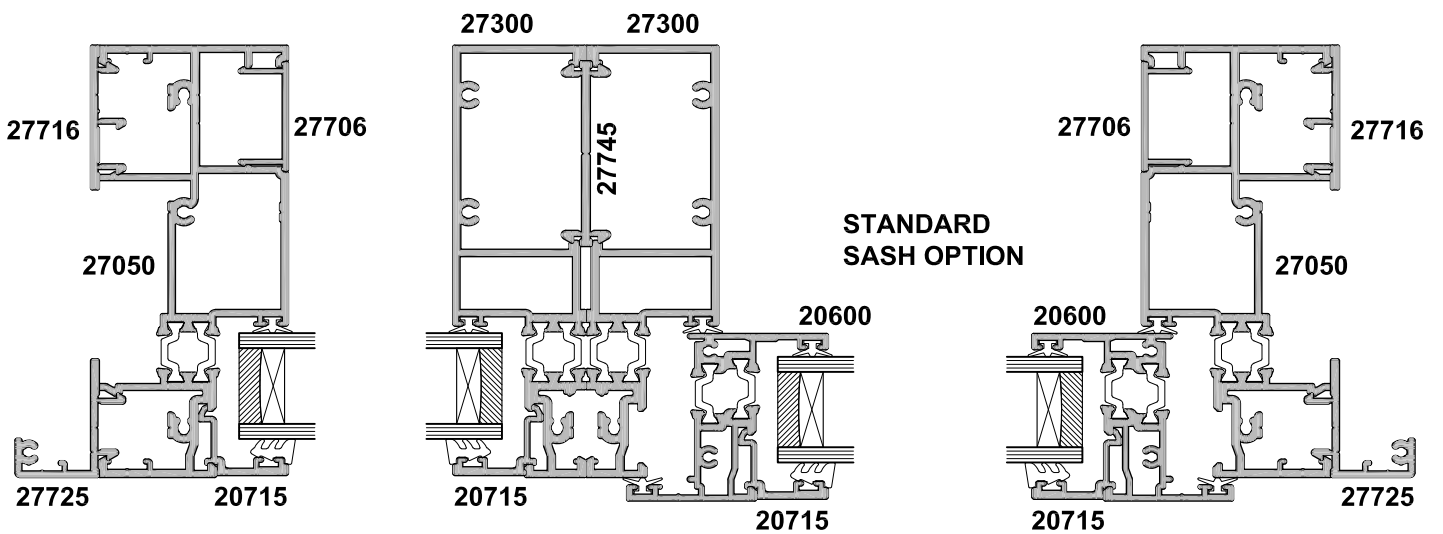
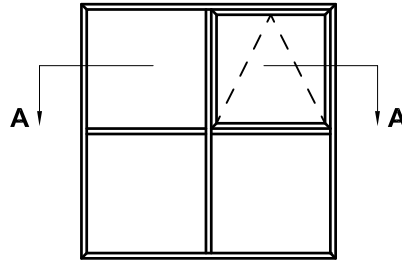
**VENTED SASH
OPTION**



**FLANGE INFILL
OPTION**



**SILL TRAY
OPTION**

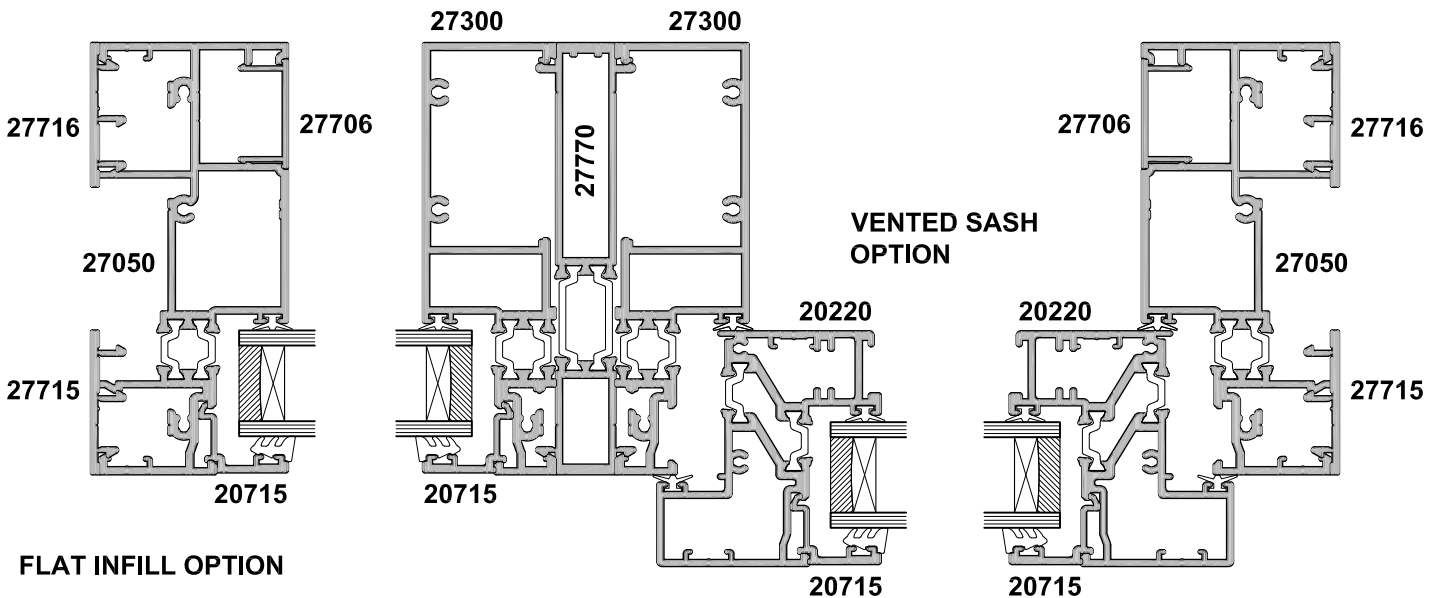


FLANGE INFILL OPTION

STANDARD
SASH OPTION

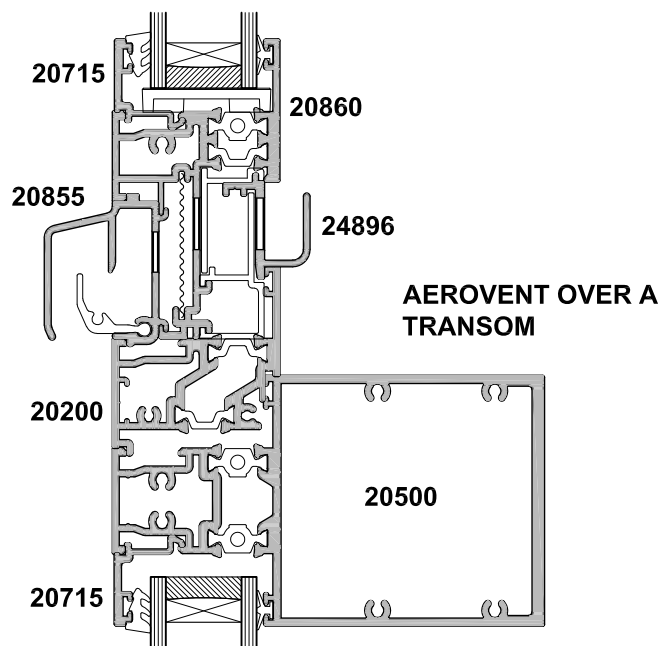
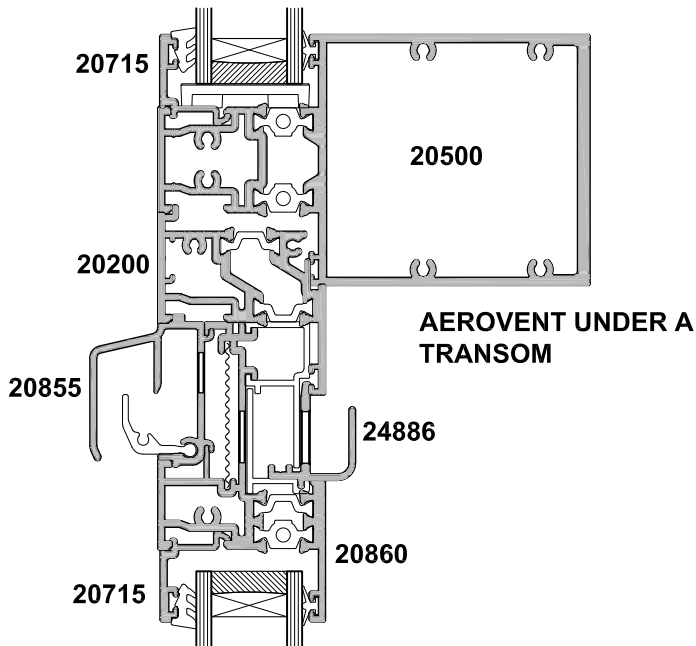
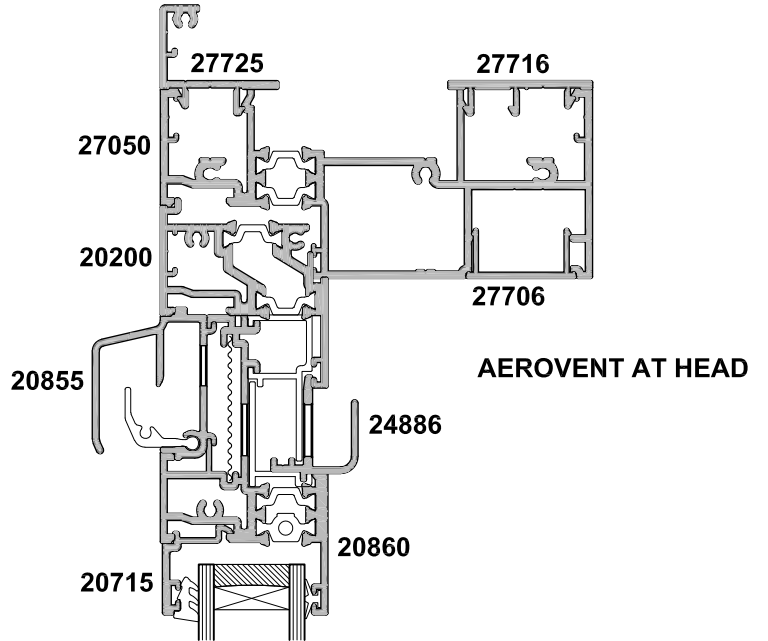
SECTION A-A

BOXED COUPLER
MULLION OPTION

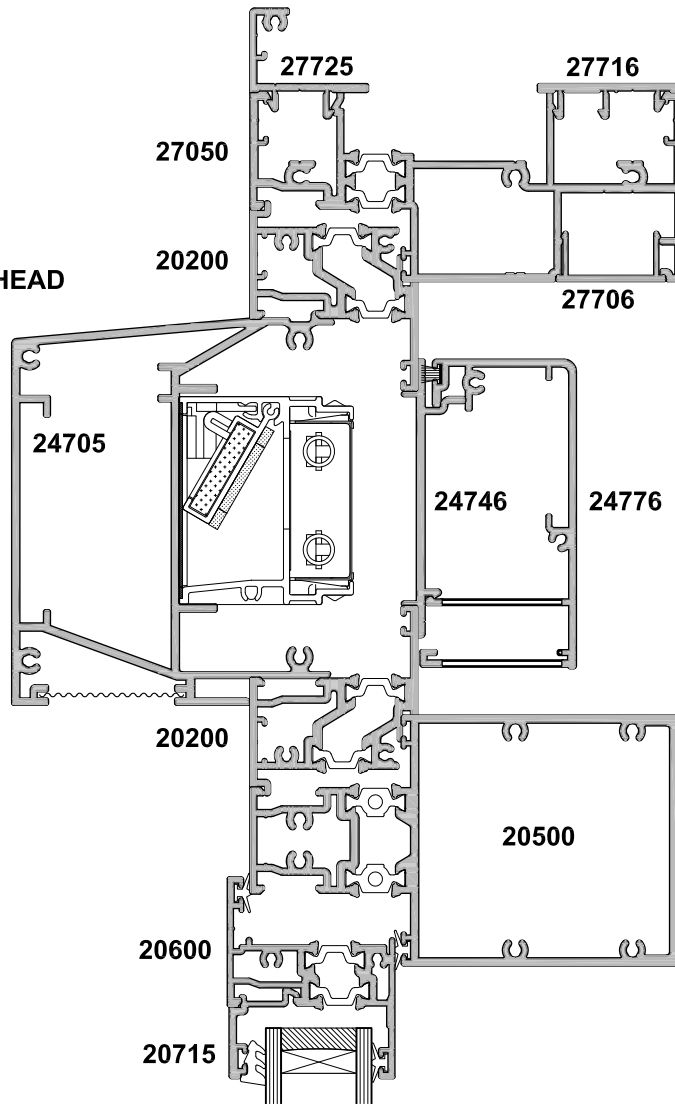


FLAT INFILL OPTION

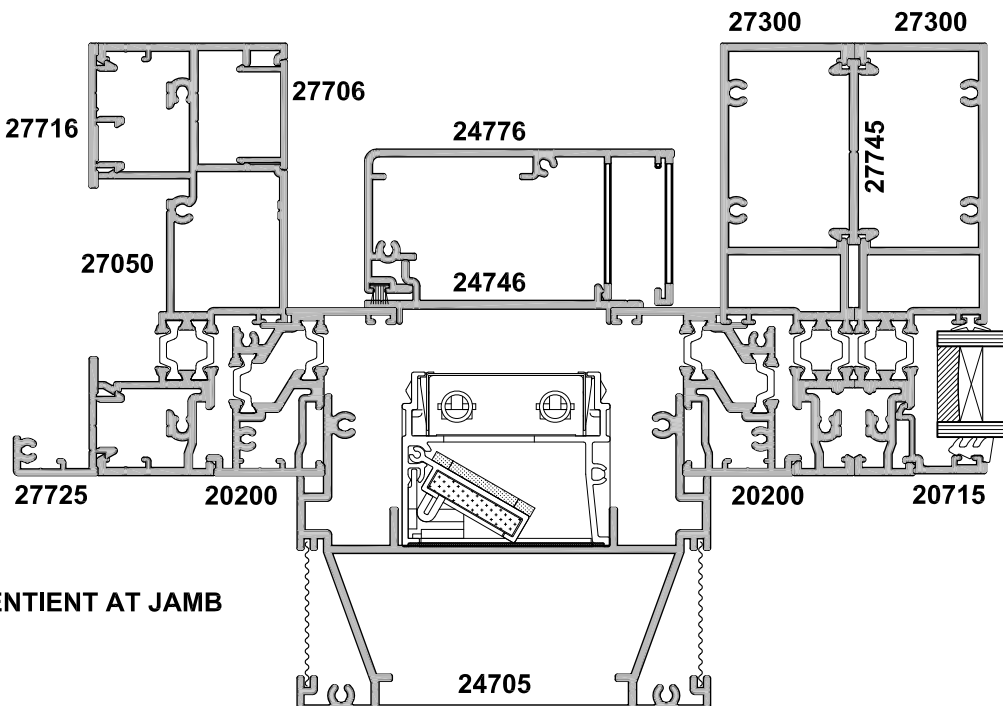
VENTED SASH
OPTION



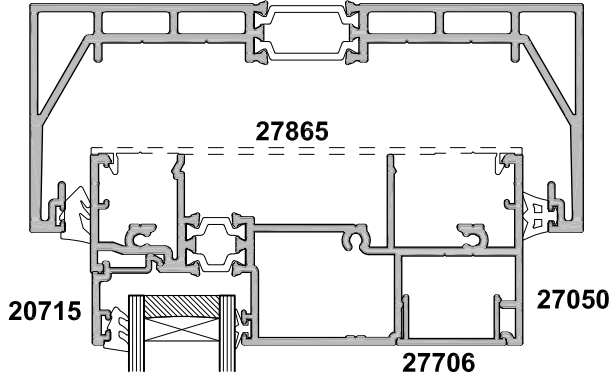
VENTIENT AT HEAD



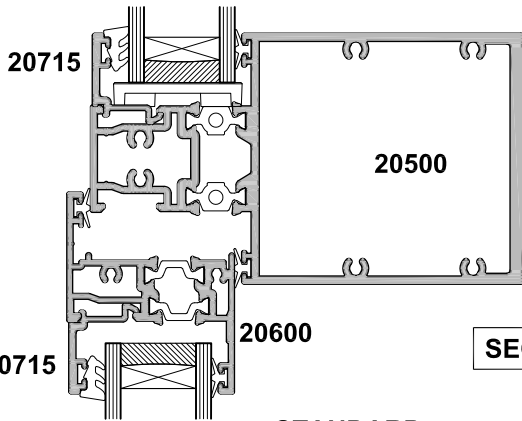
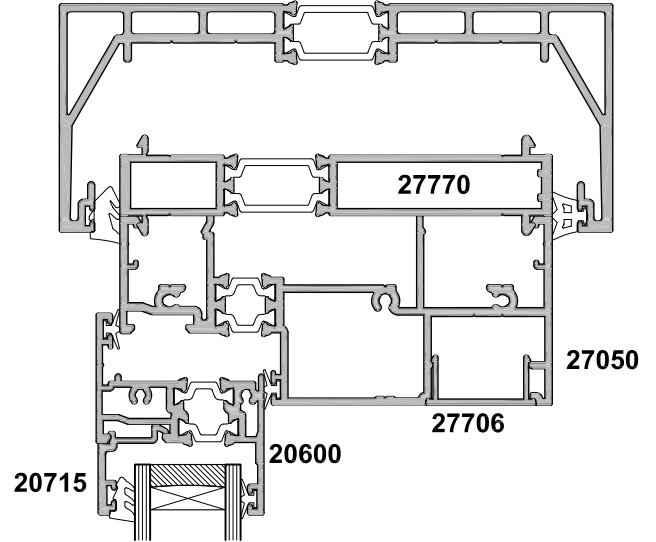
VENTIENT AT JAMB



**31010
SEISMIC HEAD**

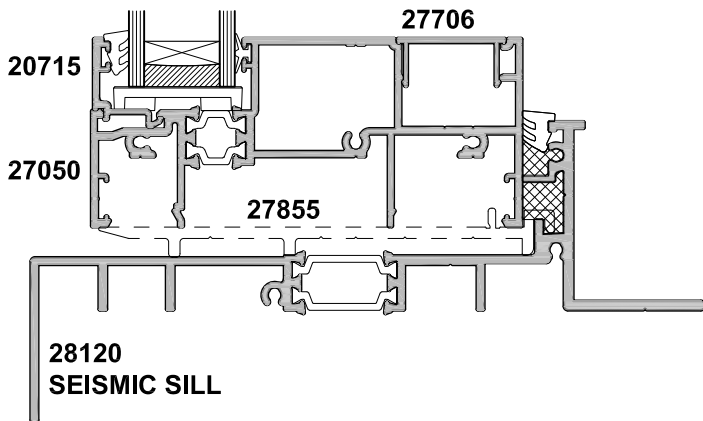
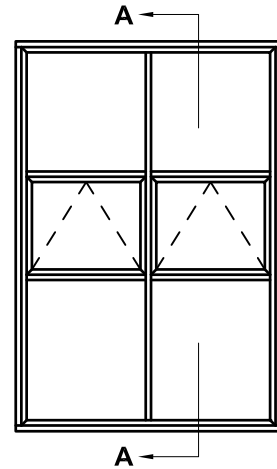
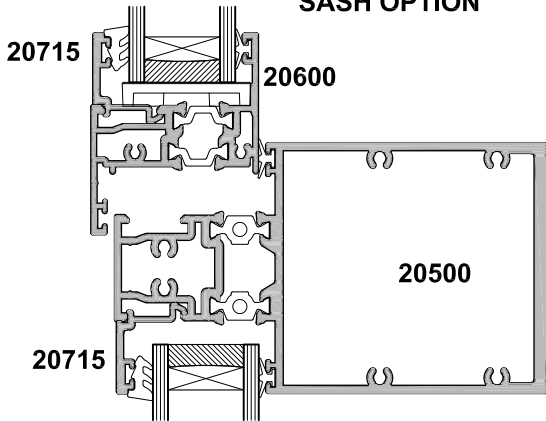


**31010
SEISMIC HEAD OPTION**

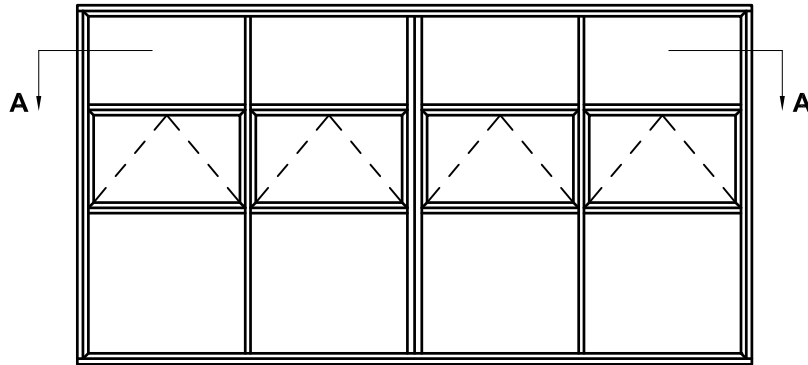


SECTION A-A

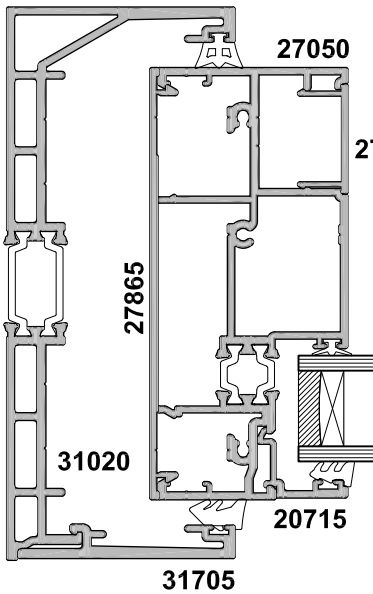
**STANDARD
SASH OPTION**



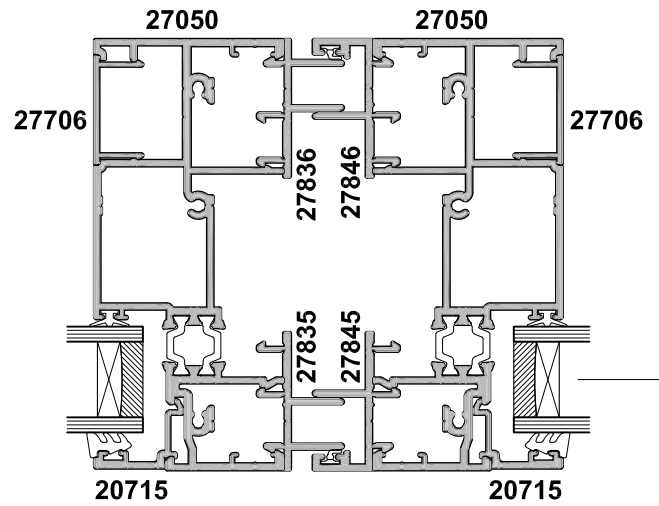
**28120
SEISMIC SILL**



**SEISMIC JAMB
EXTERNALLY
BEADED OPTION**

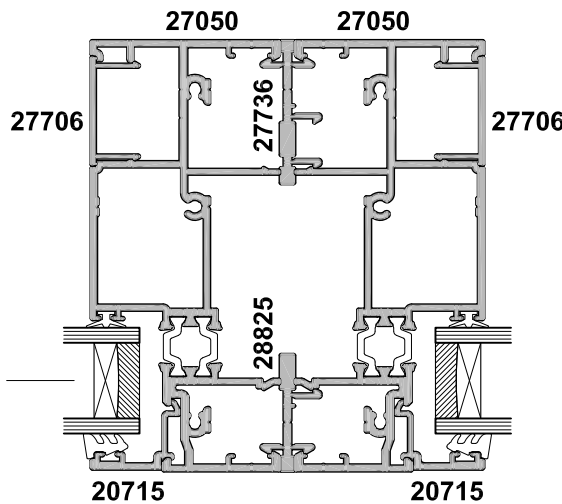


**EXPANSION COUPLER
MULLION OPTION**

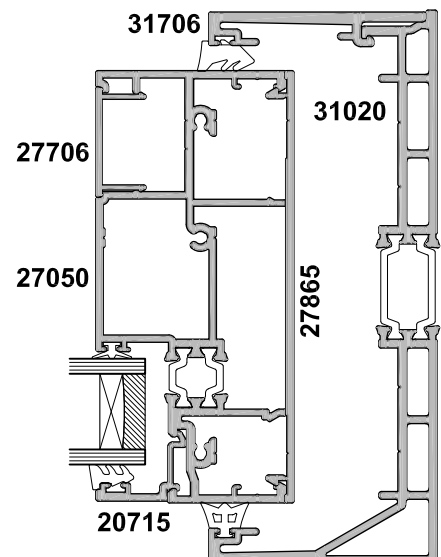


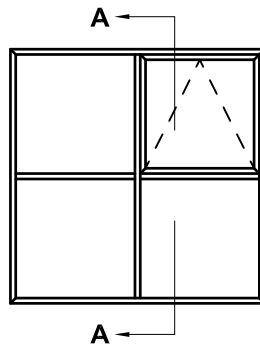
SECTION A-A

**THIN COUPLER
MULLION OPTION**

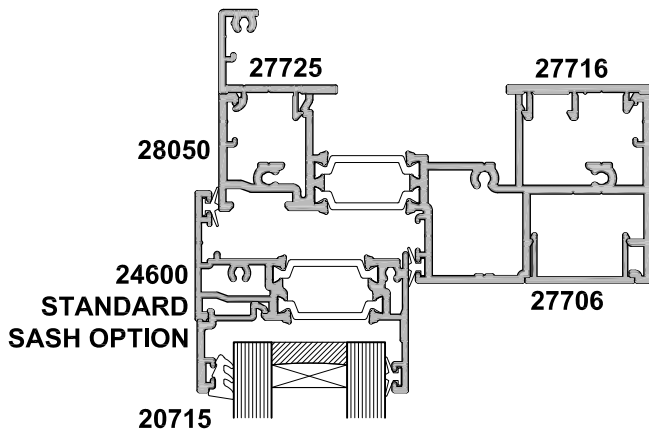


**SEISMIC JAMB
INTERNALLY
BEADED OPTION**

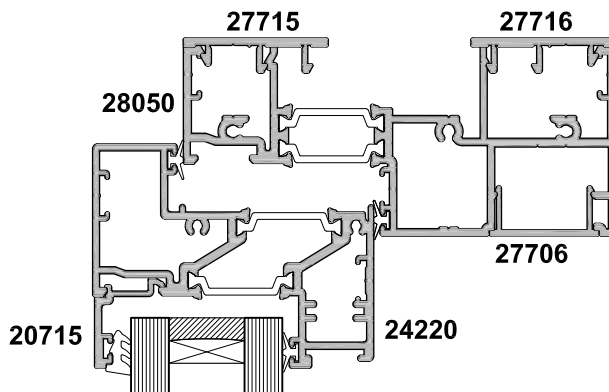




**FLANGE INFILL
OPTION**

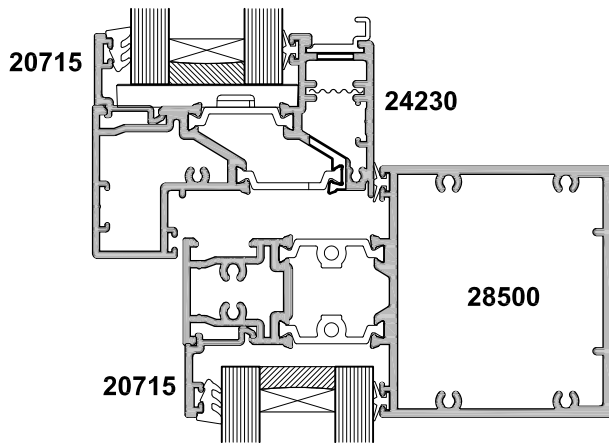


FLAT INFILL OPTION

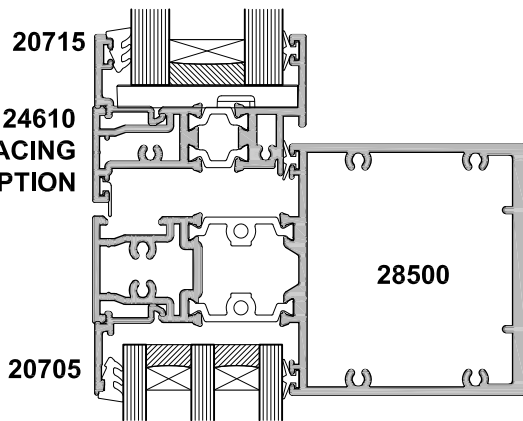


SECTION A-A

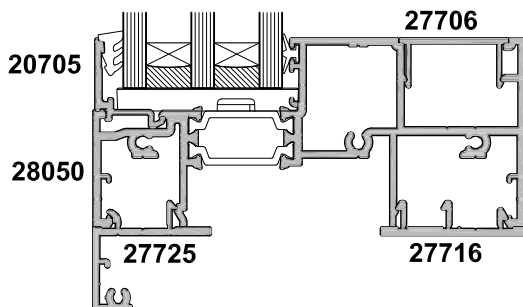
**VENTED SASH
OPTION**



**NON-FACING
SASH OPTION**

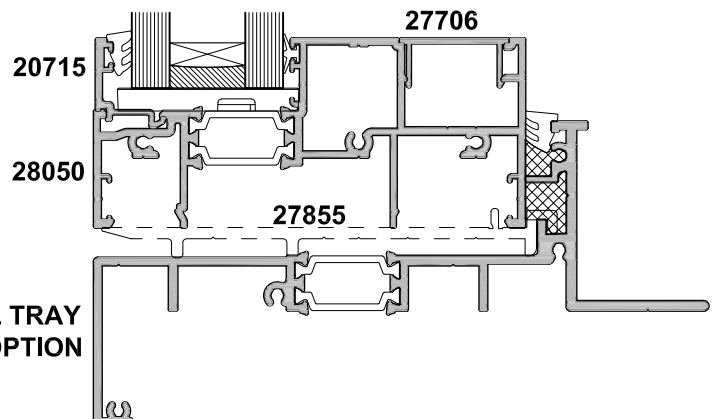


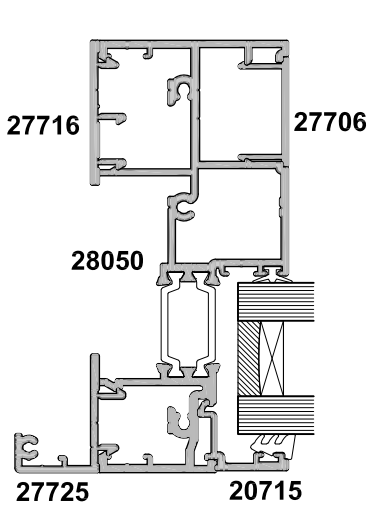
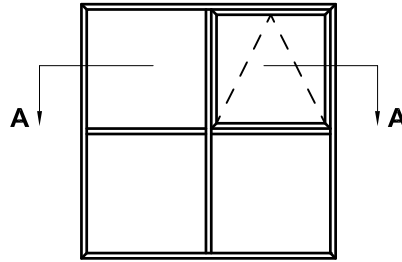
**TRIPLE GLAZE
OPTION**



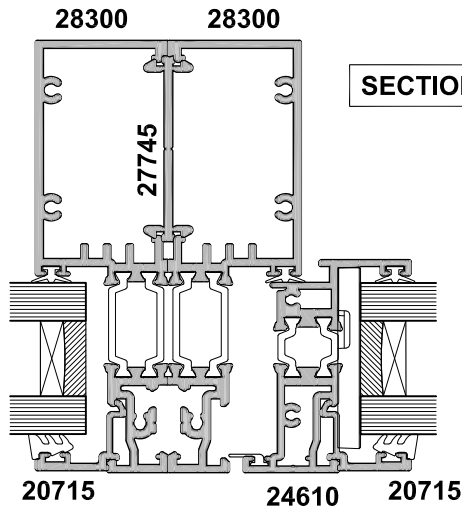
**FLANGE INFILL
OPTION**

**SILL TRAY
OPTION**

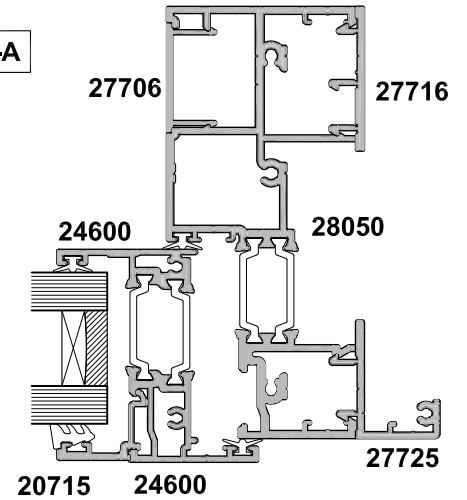




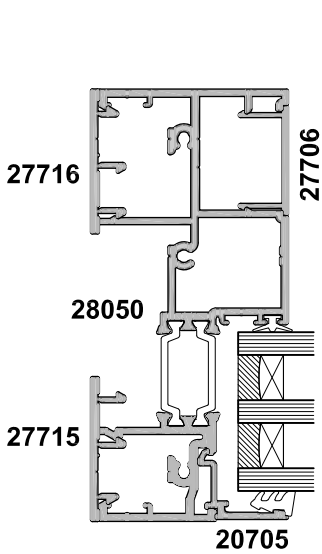
FLANGE INFILL OPTION



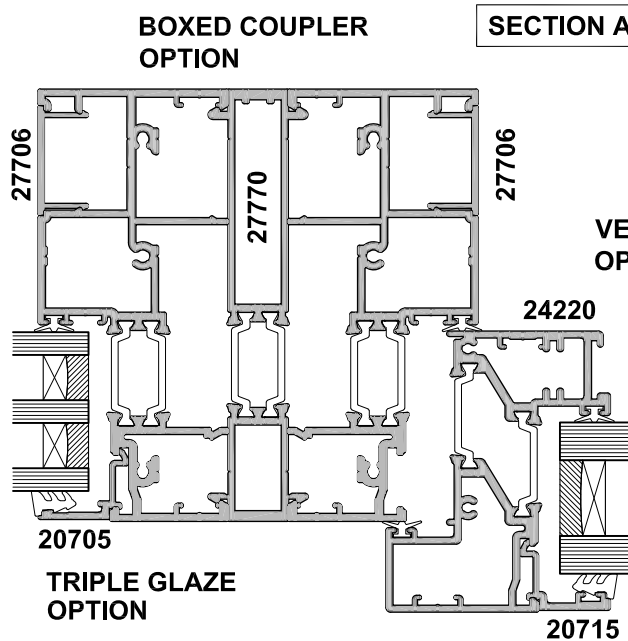
**NON-FACING
SASH OPTION**



**STANDARD
SASH OPTION**



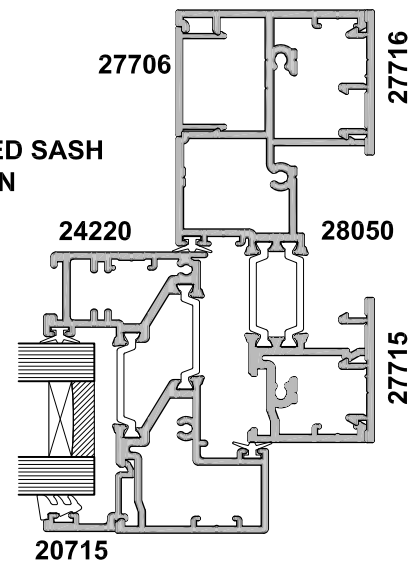
FLAT INFILL OPTION

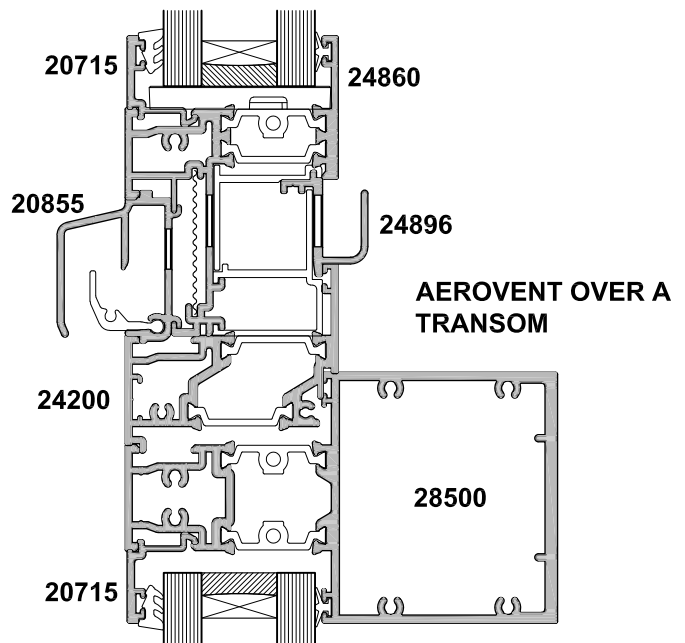
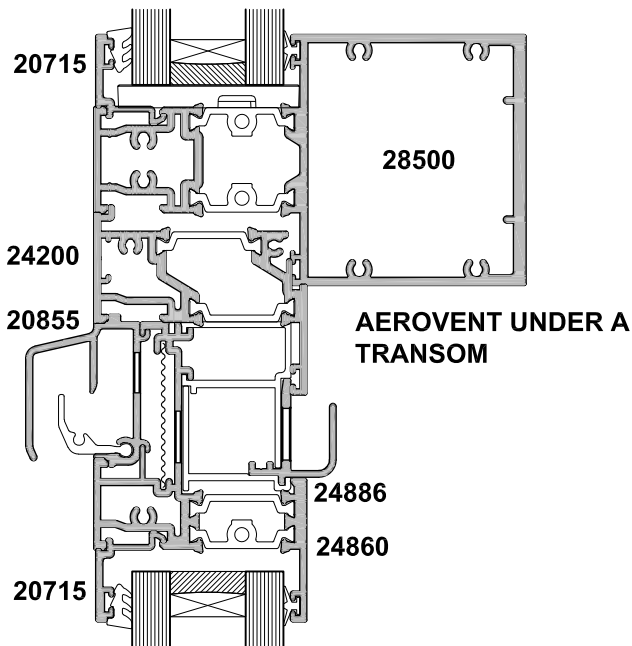
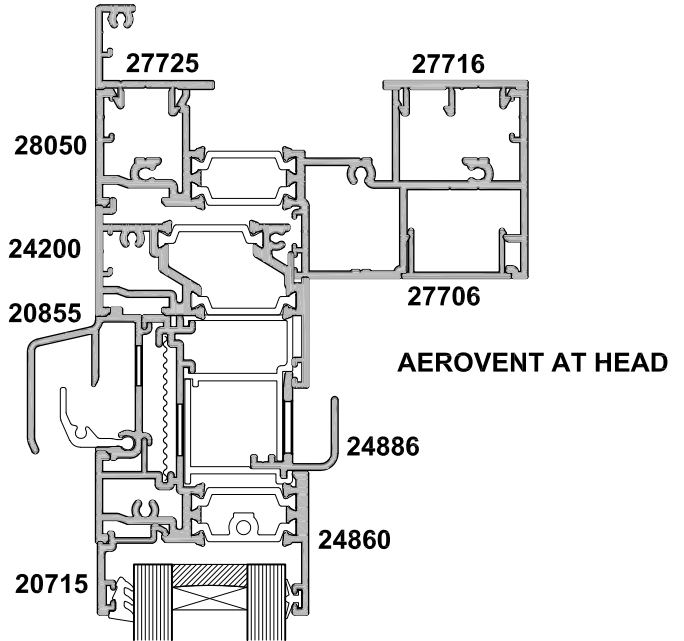


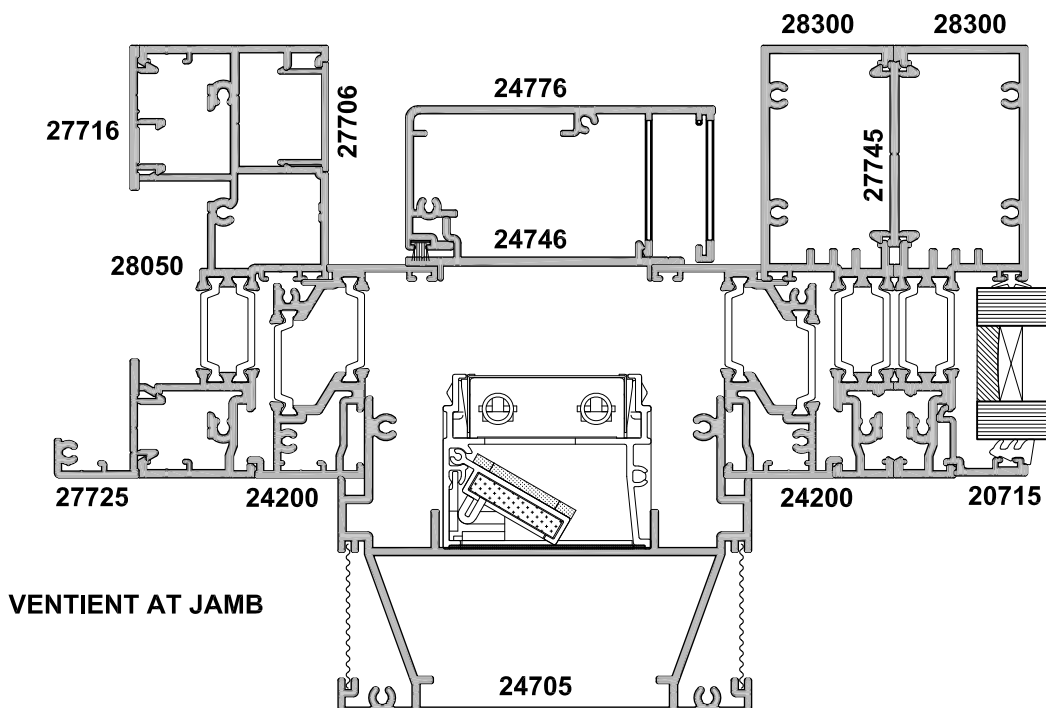
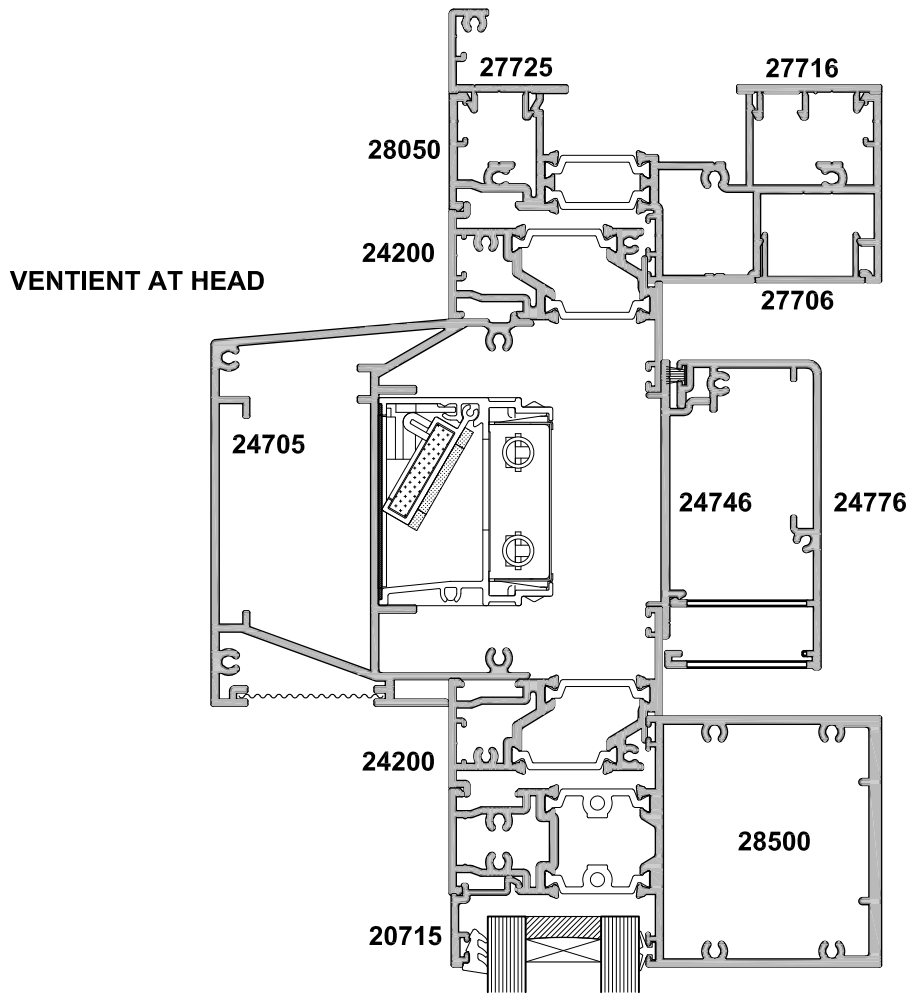
**TRIPLE GLAZE
OPTION**

SECTION A-A

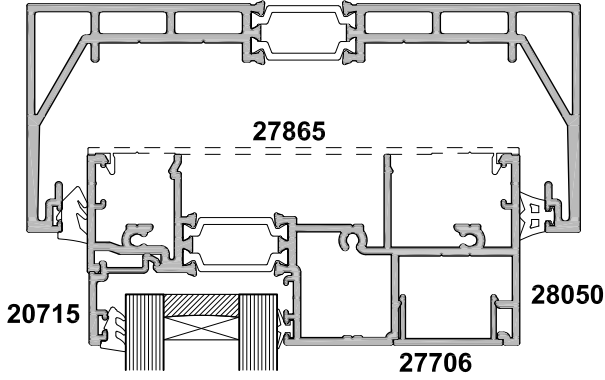
**VENTED SASH
OPTION**



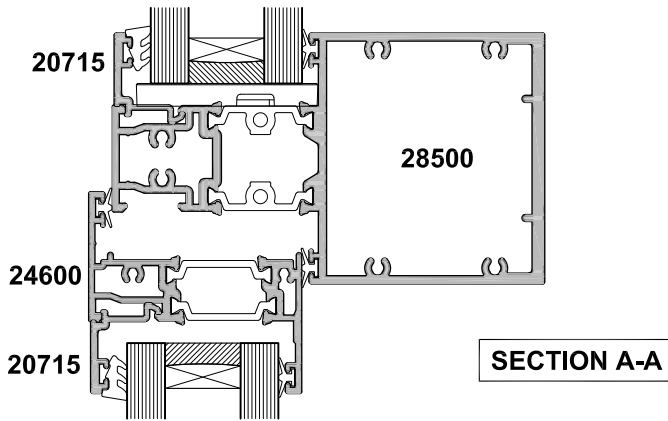
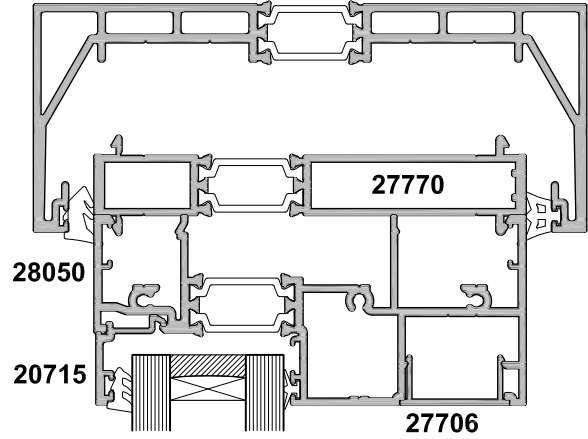




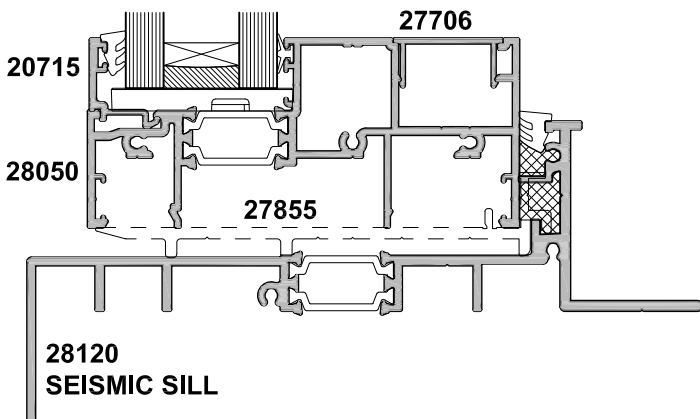
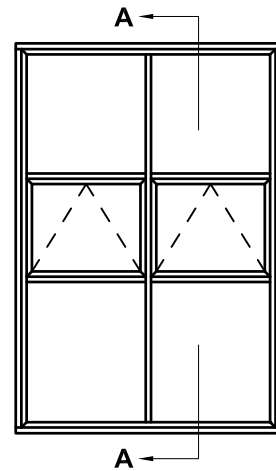
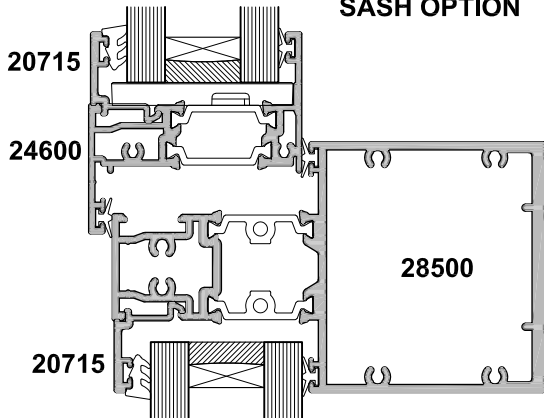
**31010
SEISMIC HEAD**



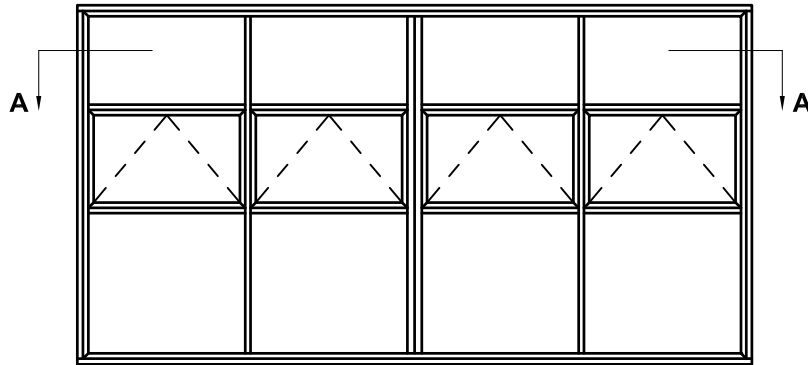
**31010
SEISMIC HEAD OPTION
WITH BOX COUPLER**



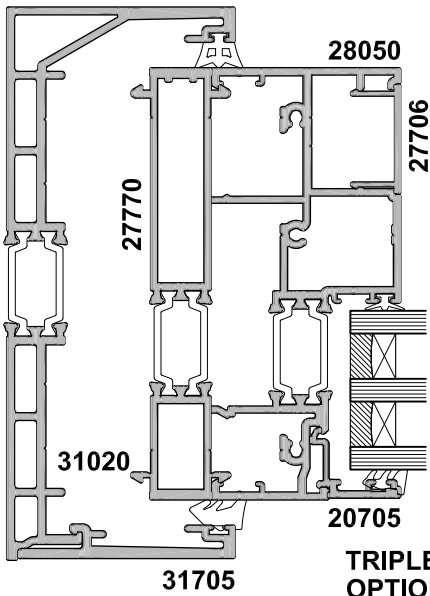
**STANDARD
SASH OPTION**



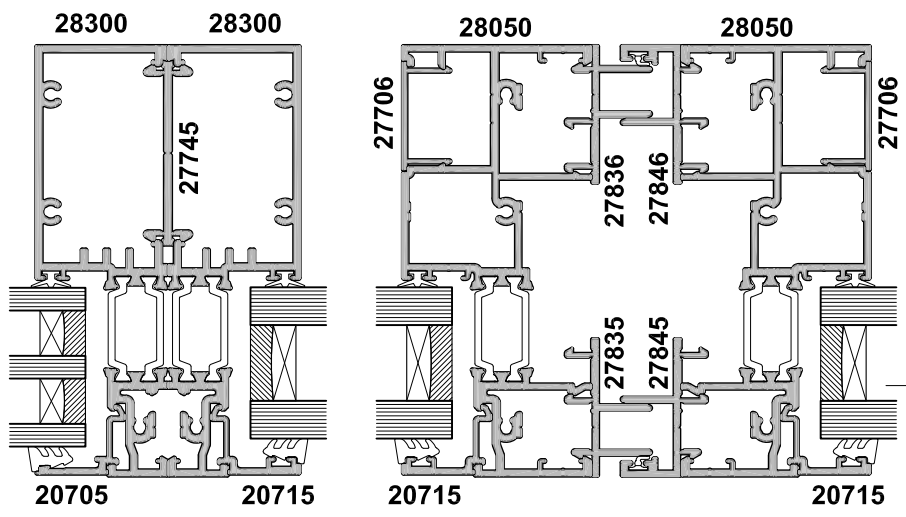
**28120
SEISMIC SILL**



**SEISMIC JAMB
EXTERNALLY
BEADED OPTION**



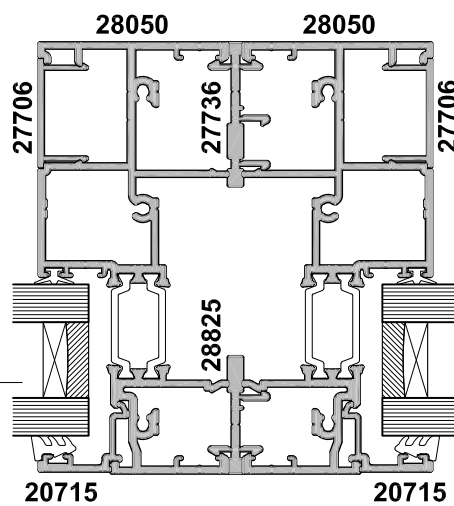
**EXPANSION COUPLER
MULLION OPTION**



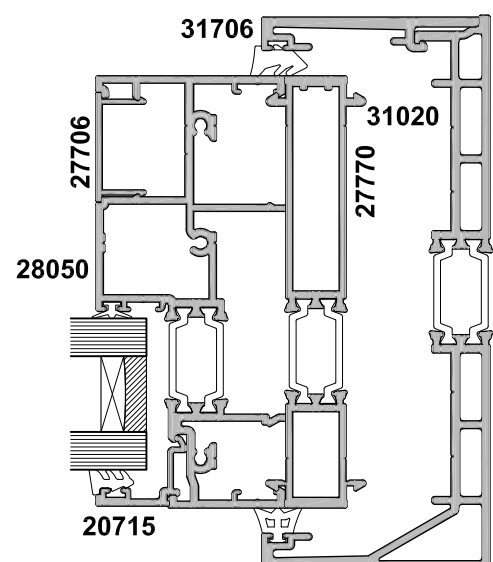
**TRIPLE GLAZE
OPTION**

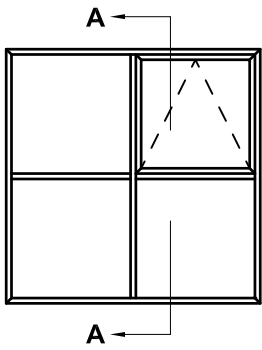
SECTION A-A

**THIN COUPLER
MULLION OPTION**

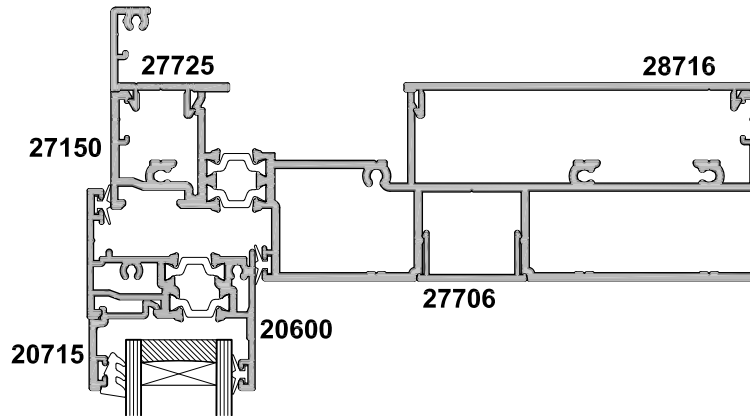


**SEISMIC JAMB
INTERNALLY
BEADED OPTION**



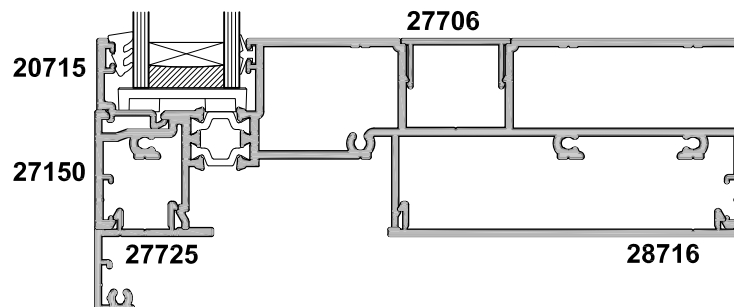
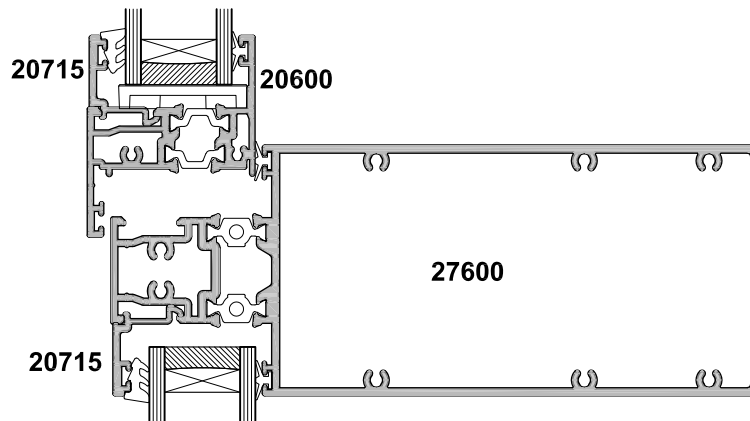


**FLANGE INFILL
OPTION**

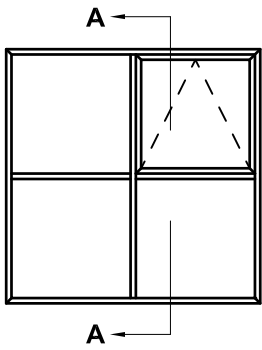


**STANDARD
SASH OPTION**

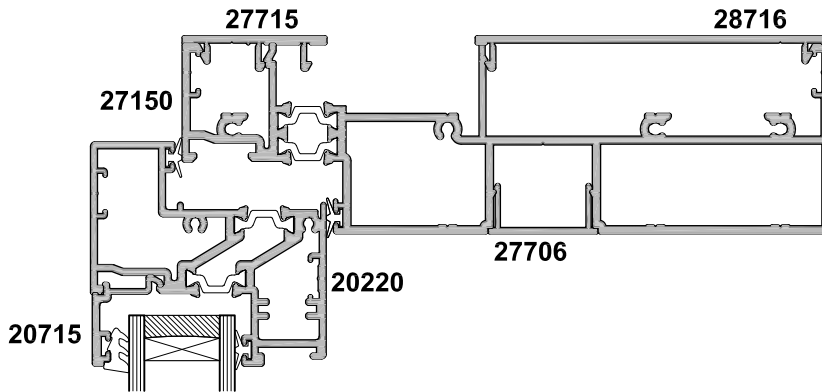
SECTION A-A



**FLANGE INFILL
OPTION**

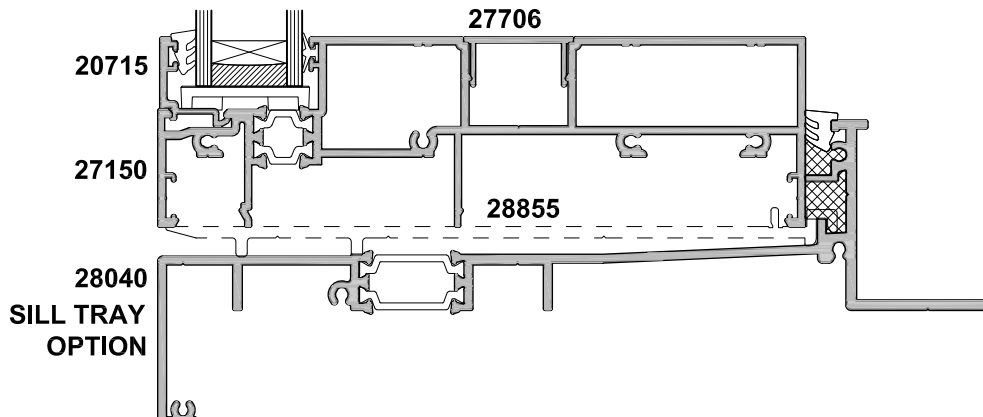
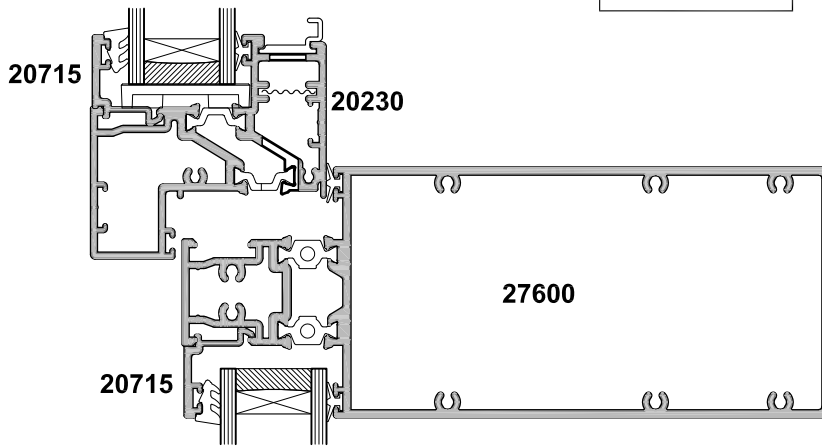


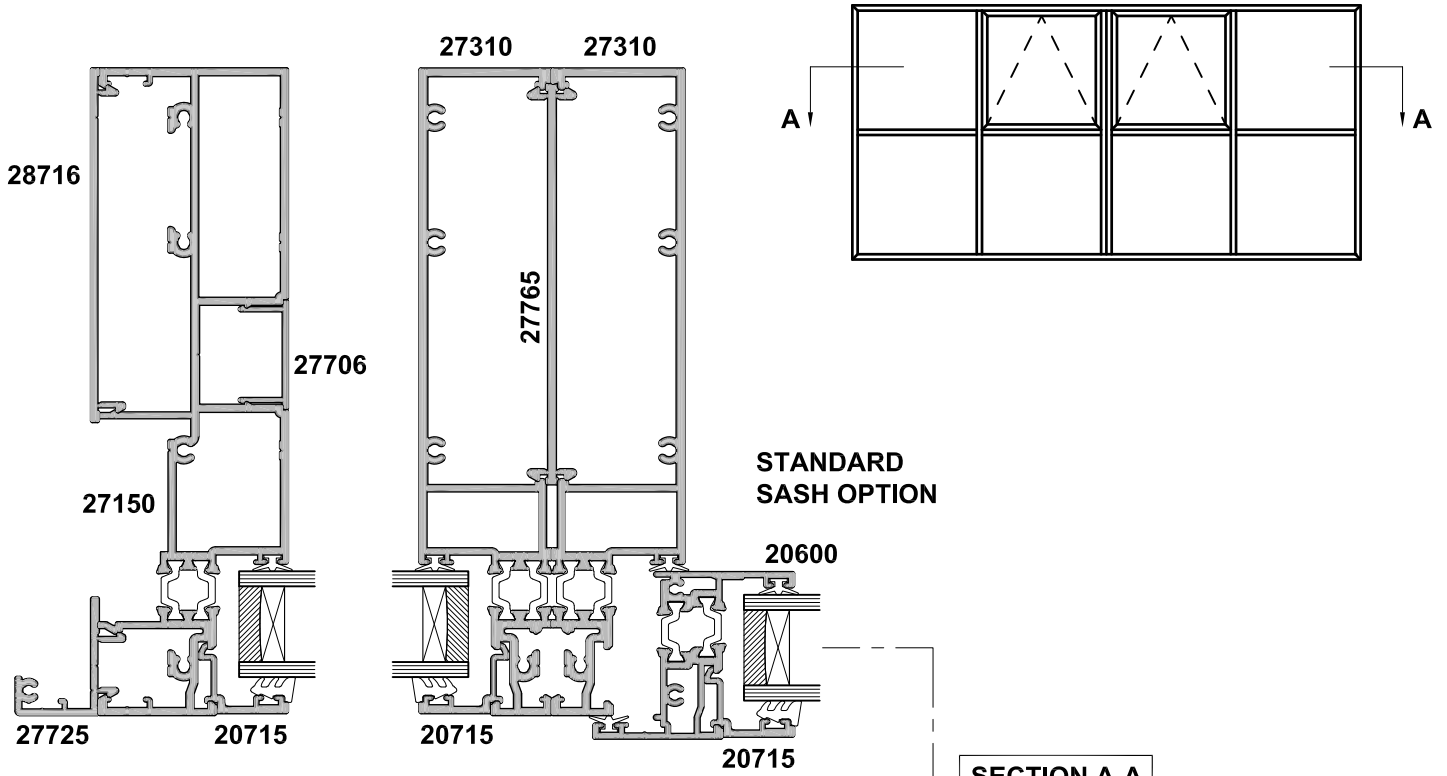
FLAT INFILL OPTION



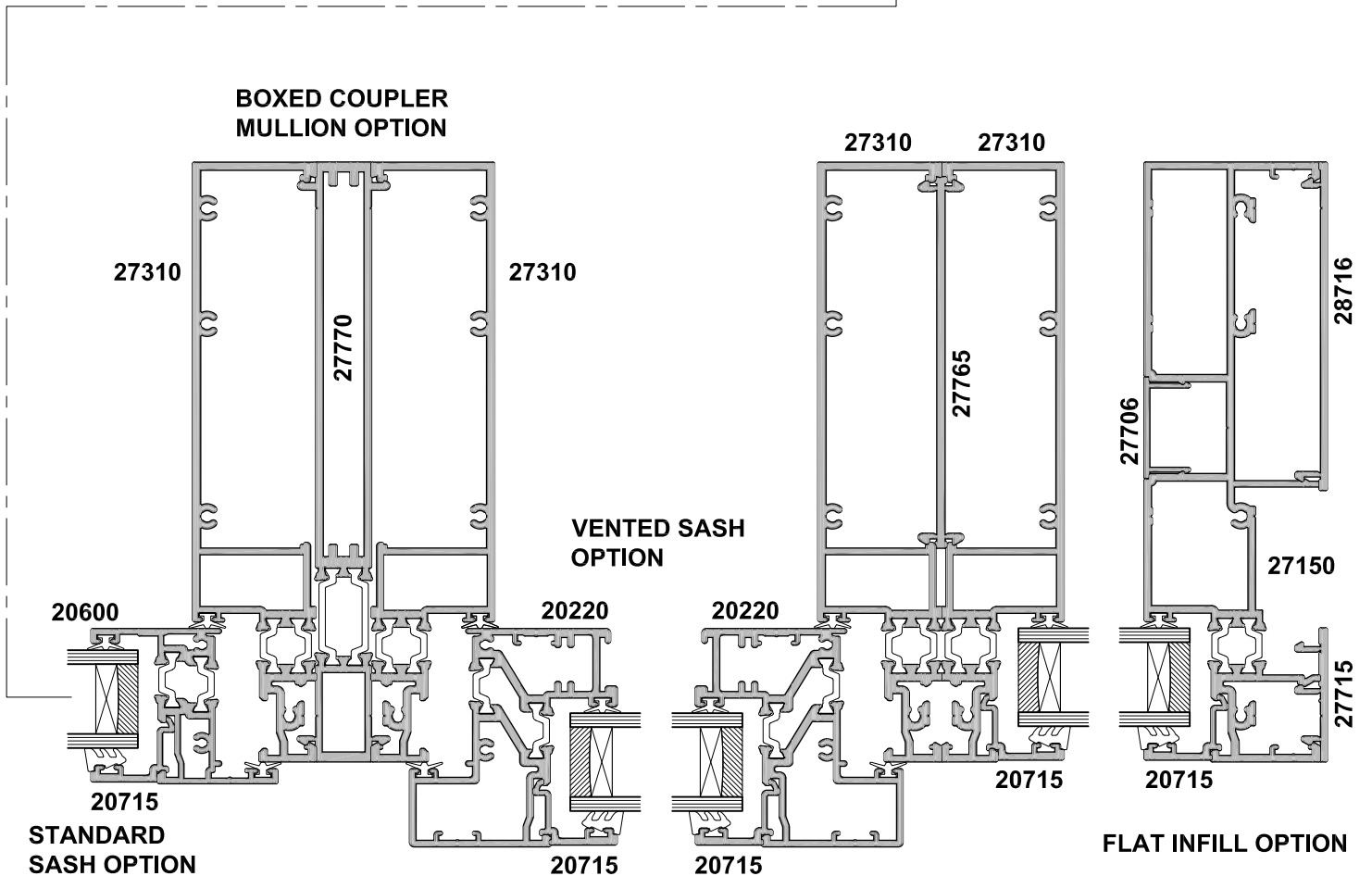
**VENTED SASH
OPTION**

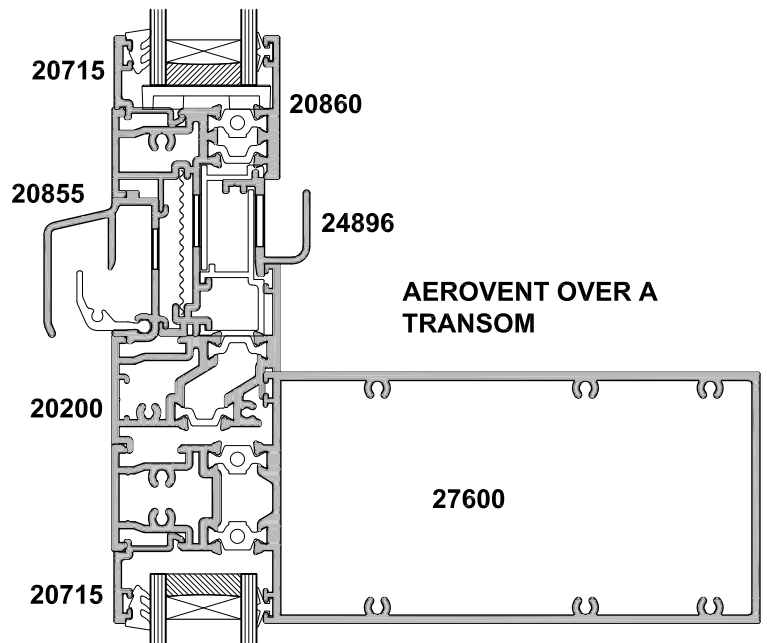
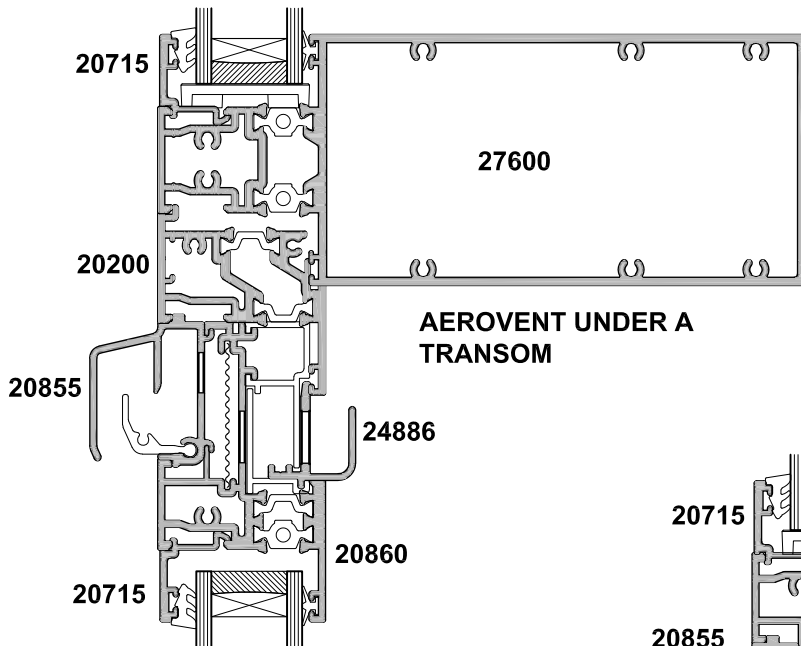
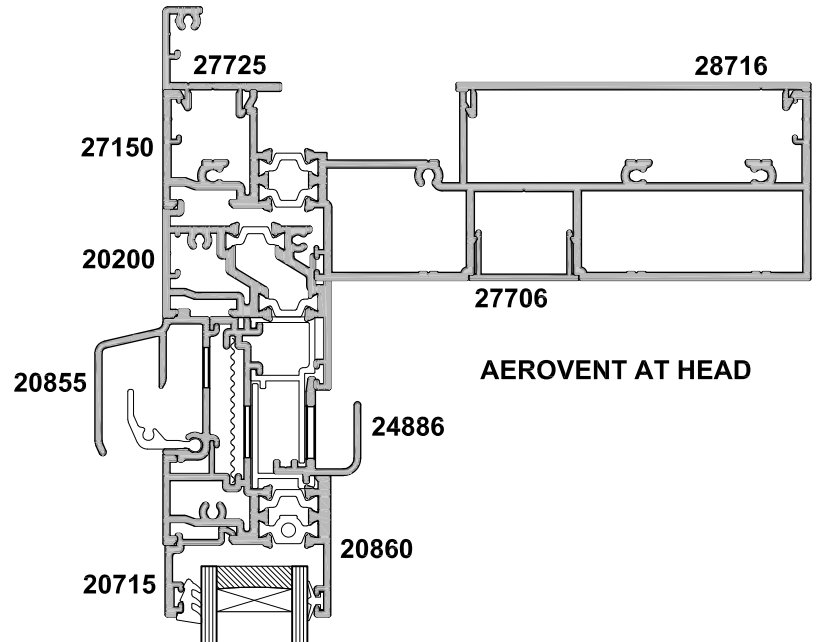
SECTION A-A

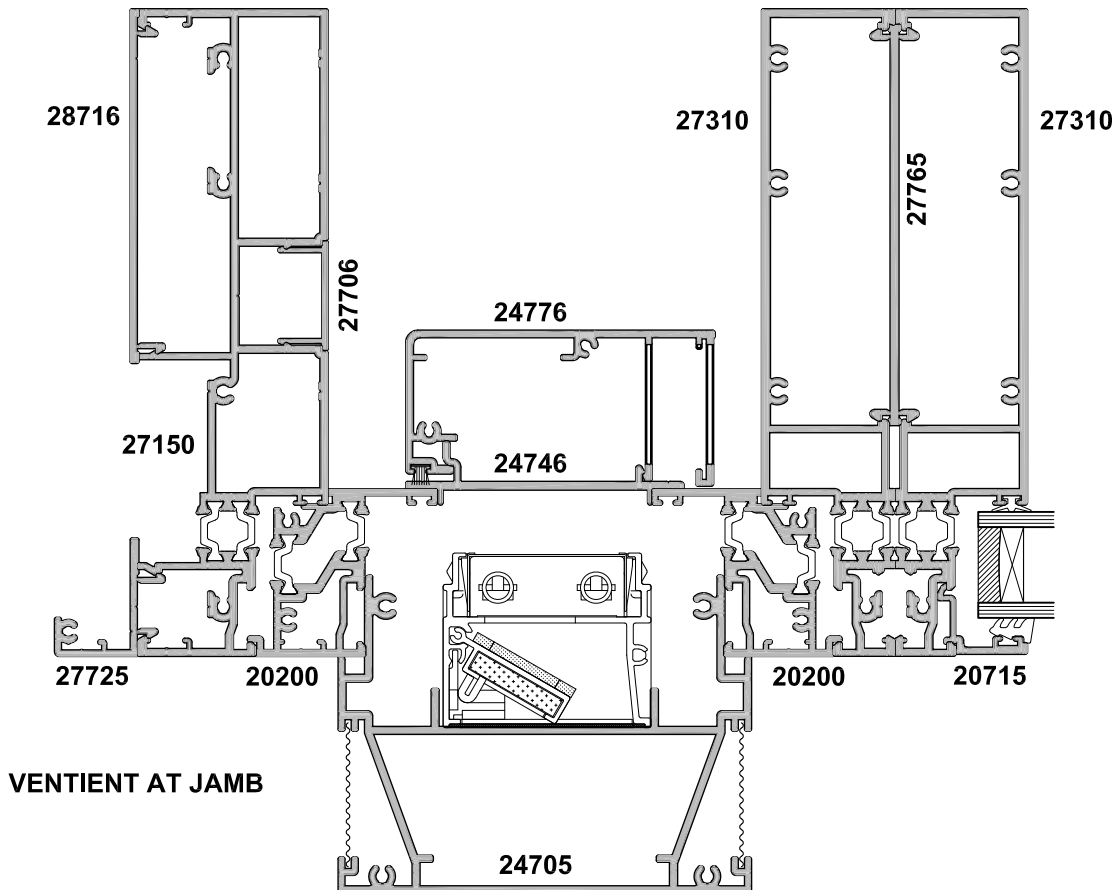
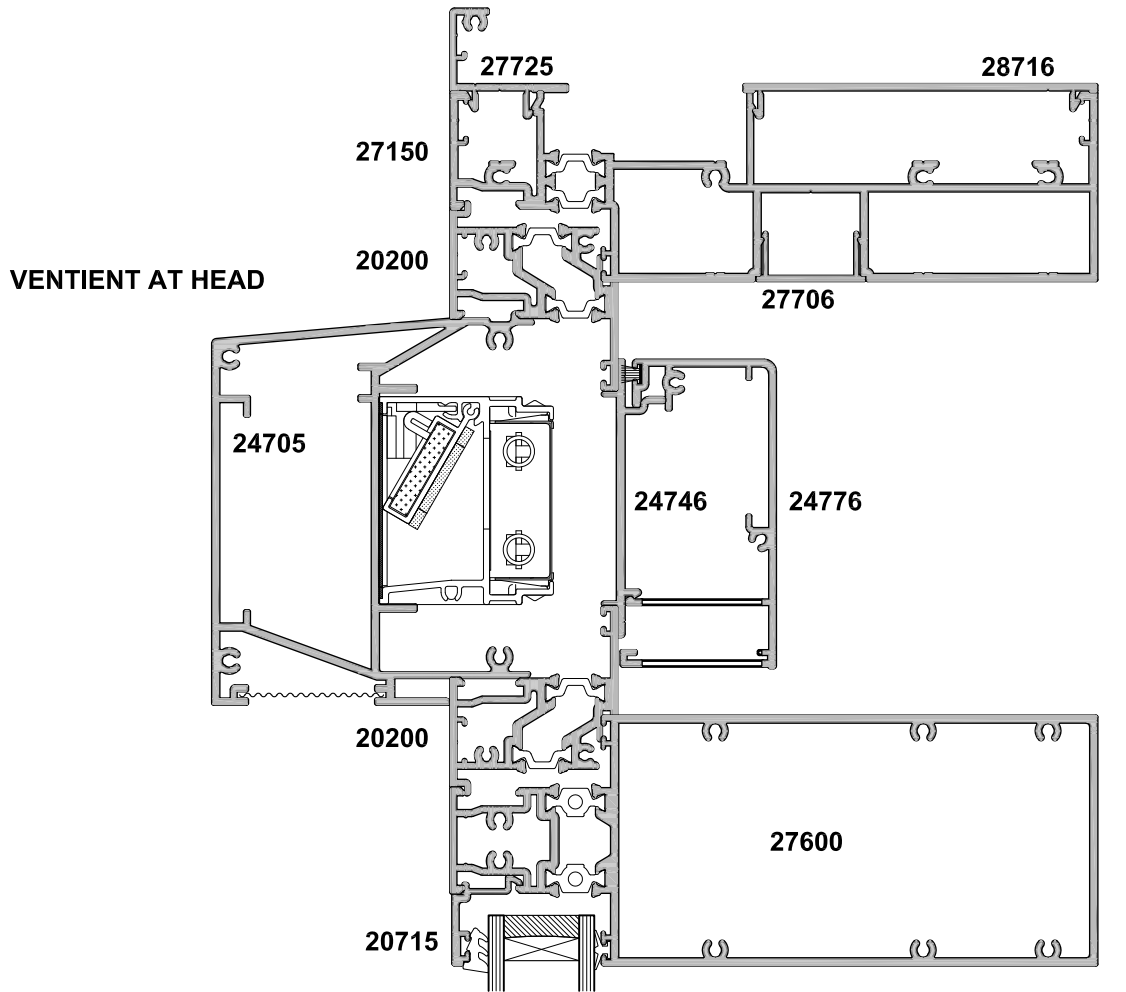




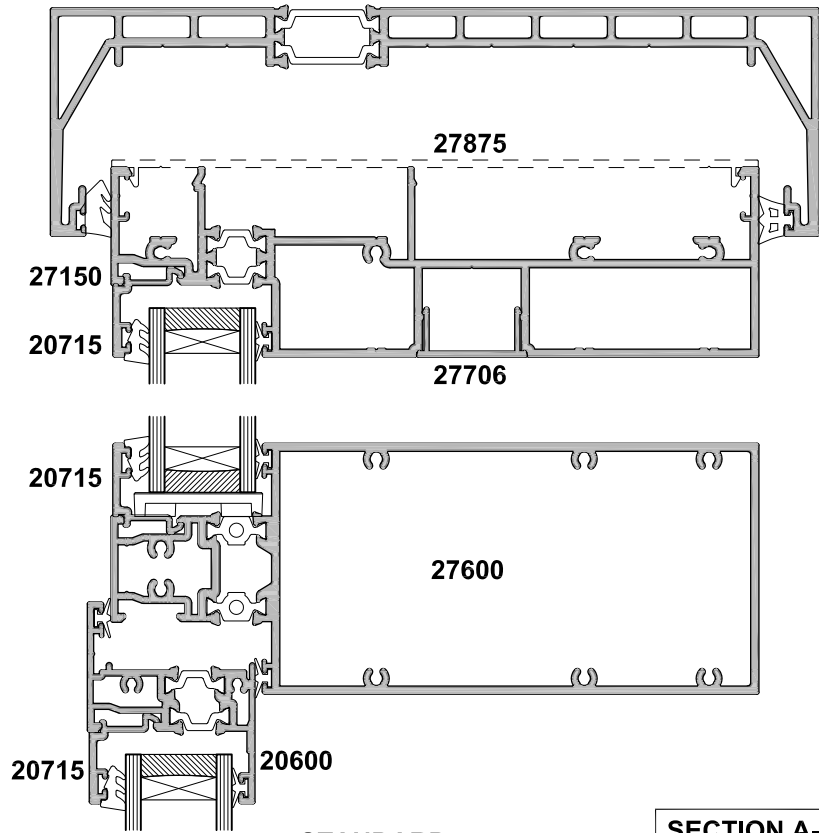
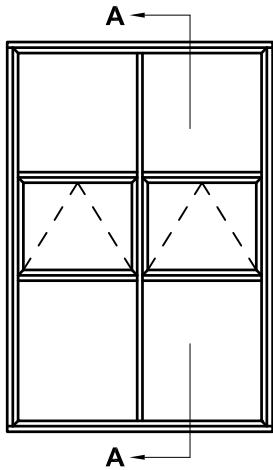
FLANGE INFILL OPTION





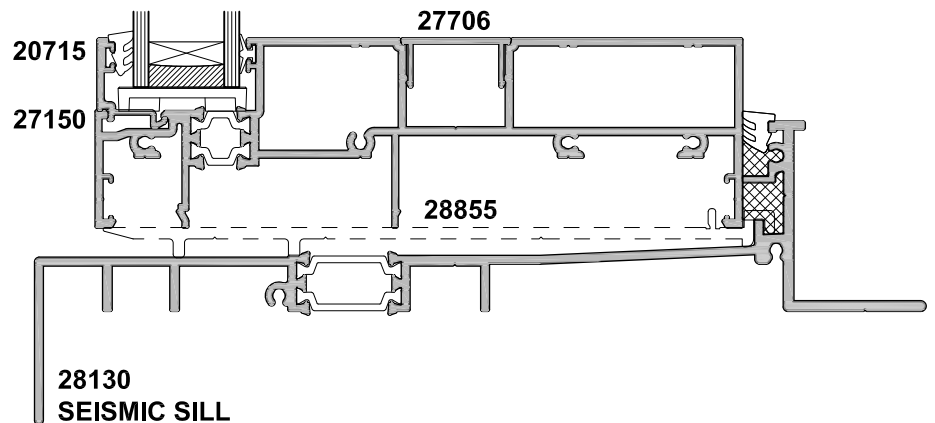
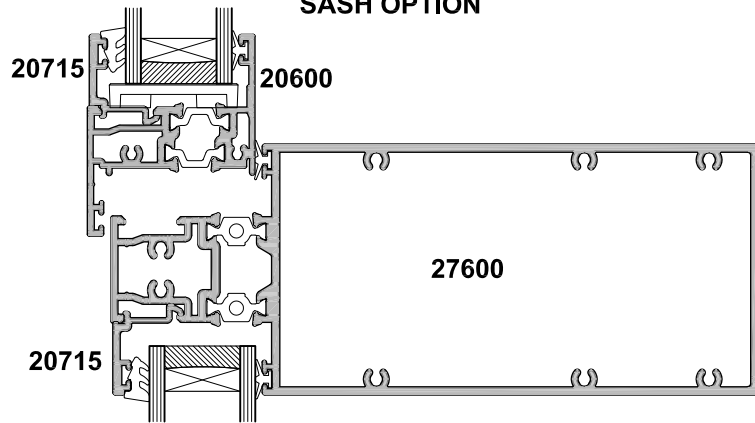


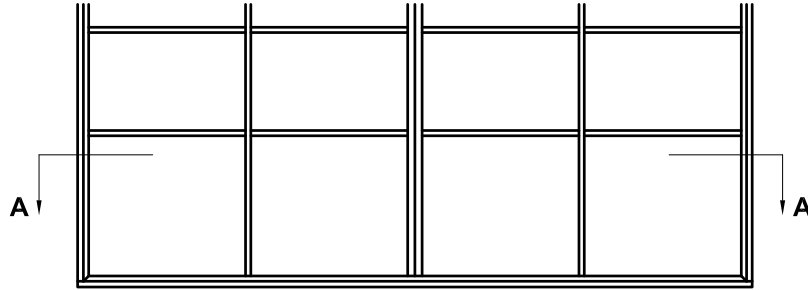
**32010
SEISMIC HEAD
EXTERNALLY BEADED OPTION**



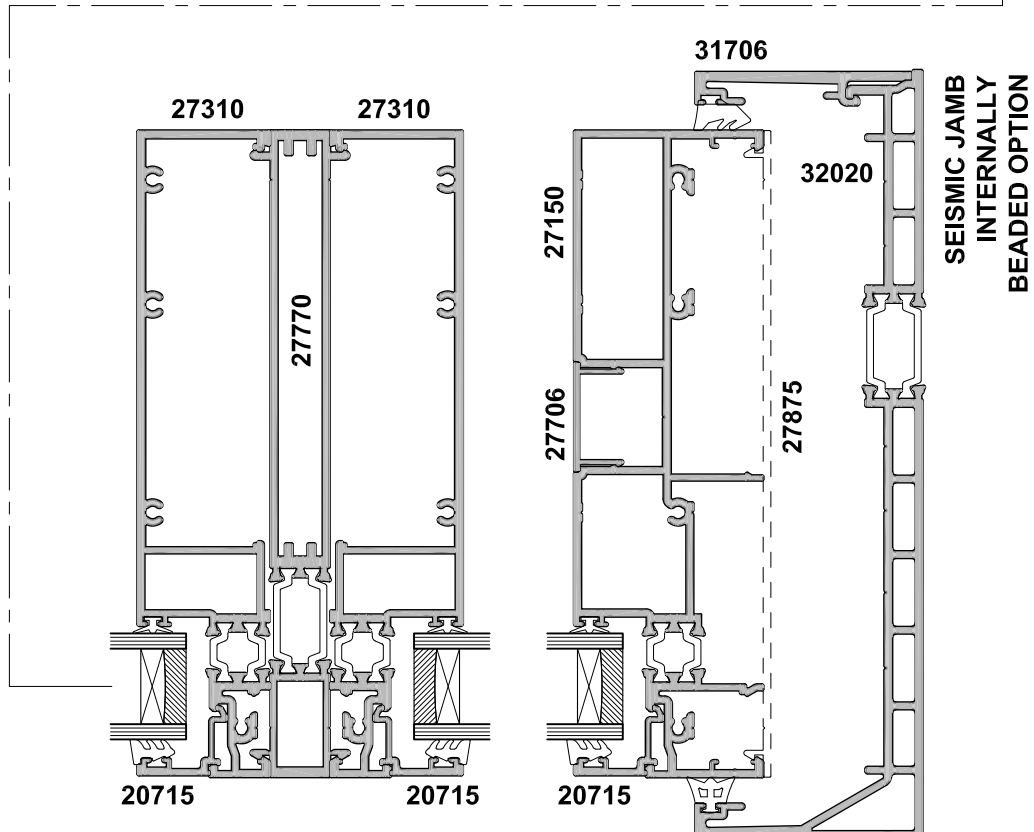
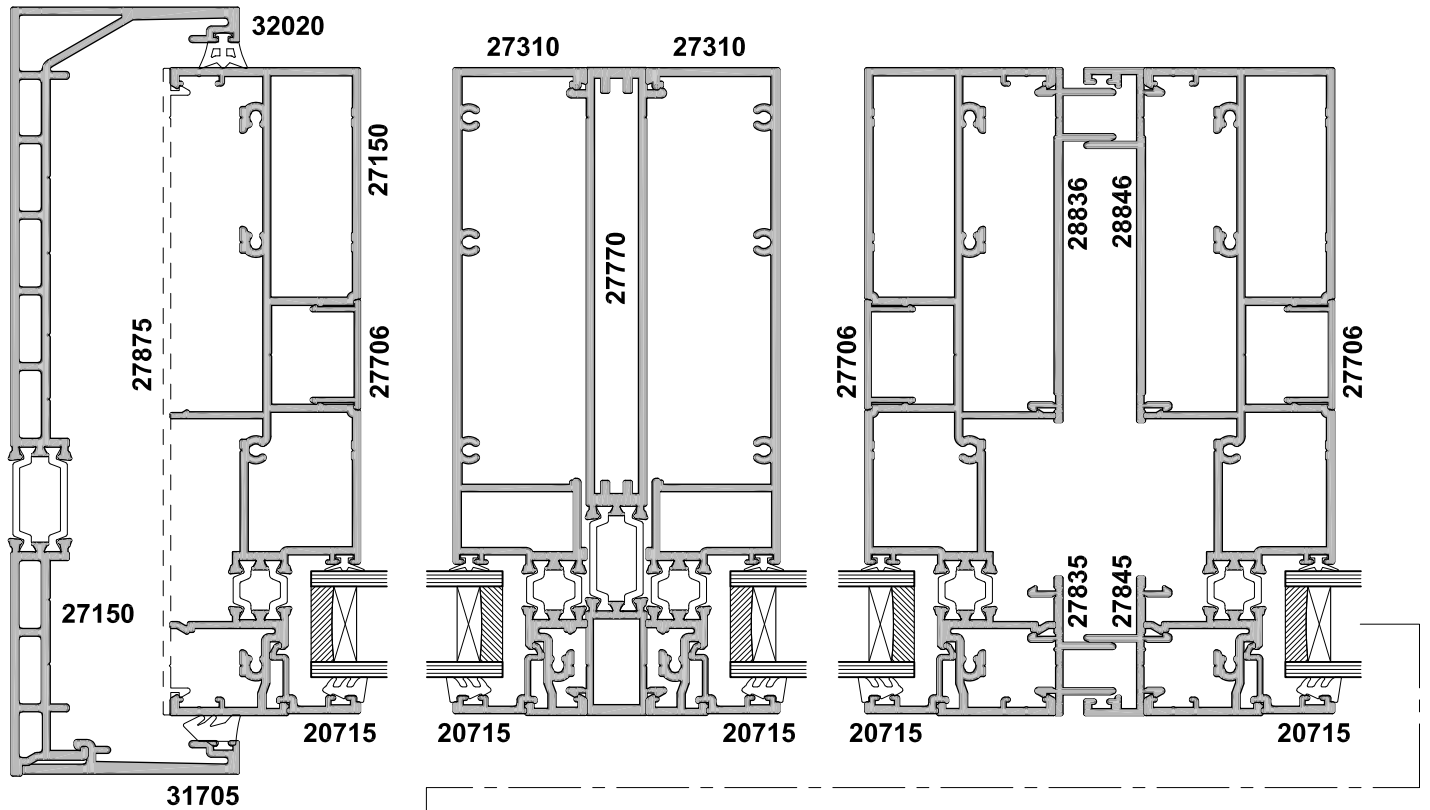
SECTION A-A

**STANDARD
SASH OPTION**

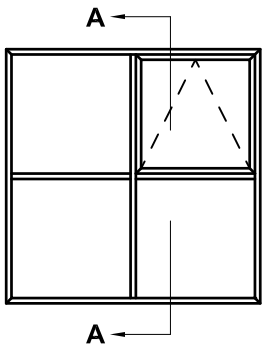




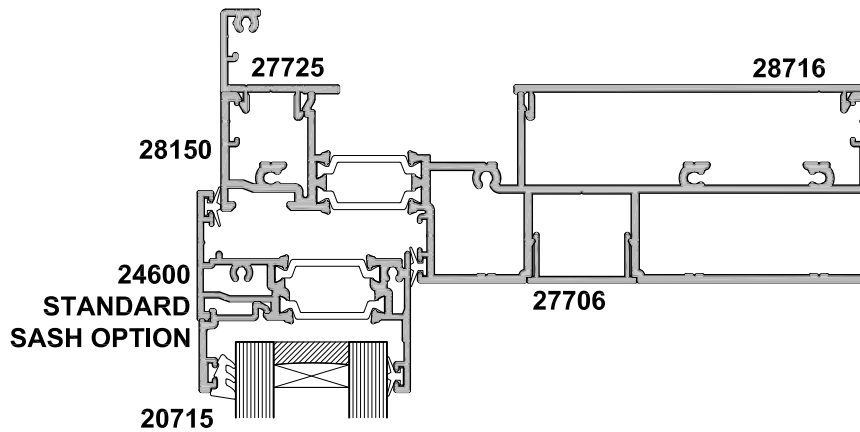
**SEISMIC JAMB
EXTERNALLY
BEADED OPTION**



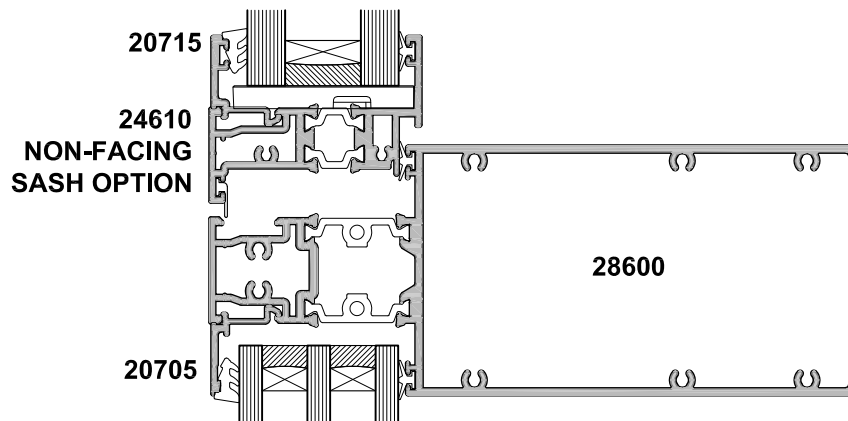
**SEISMIC JAMB
INTERNALLY
BEADED OPTION**



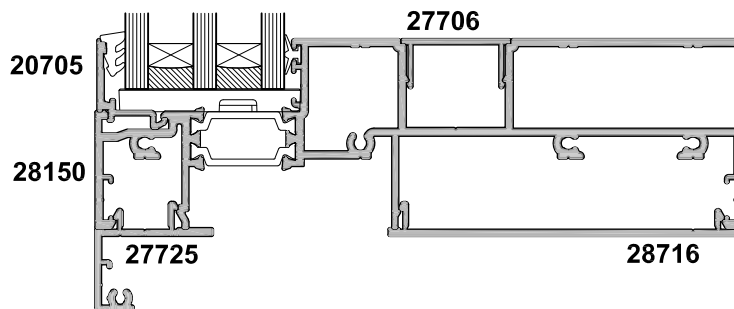
**FLANGE INFILL
OPTION**



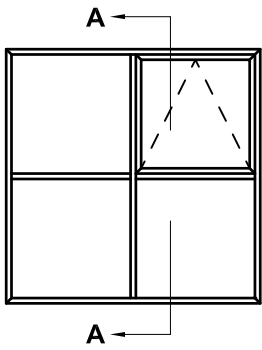
SECTION A-A



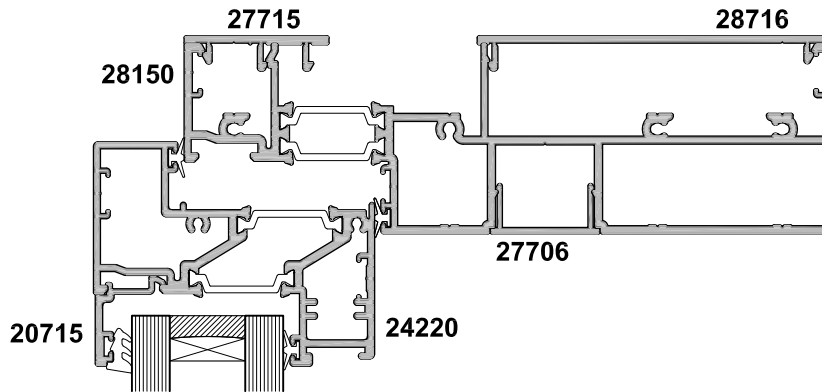
**TRIPLE GLAZE
OPTION**



**FLANGE INFILL
OPTION**

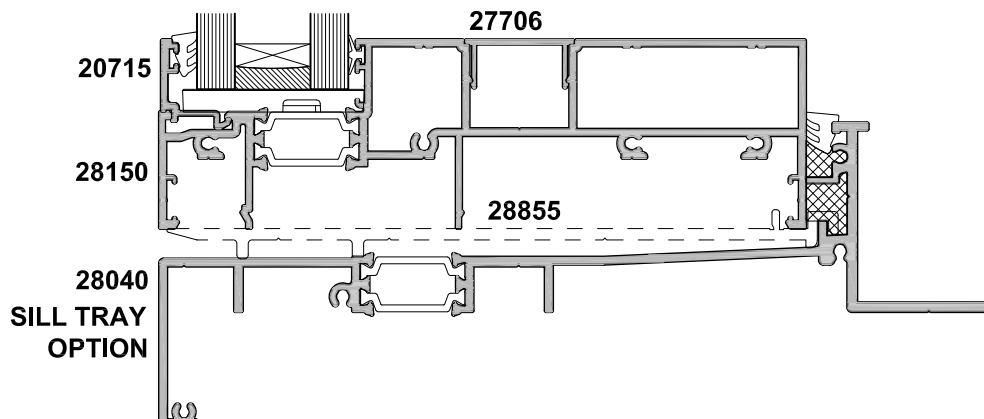
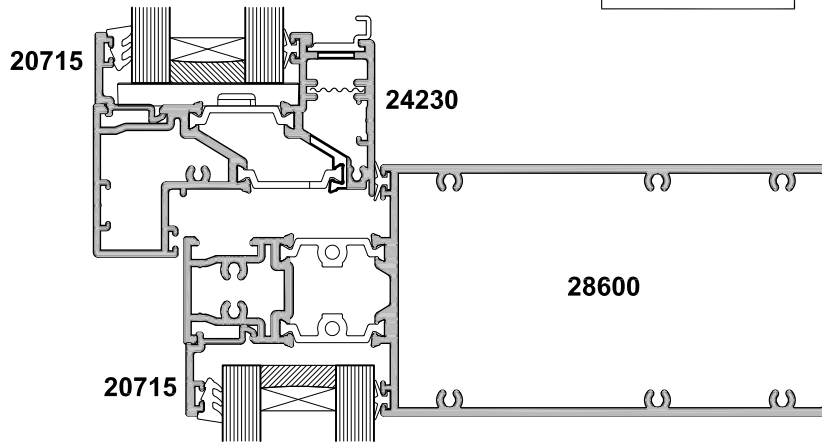


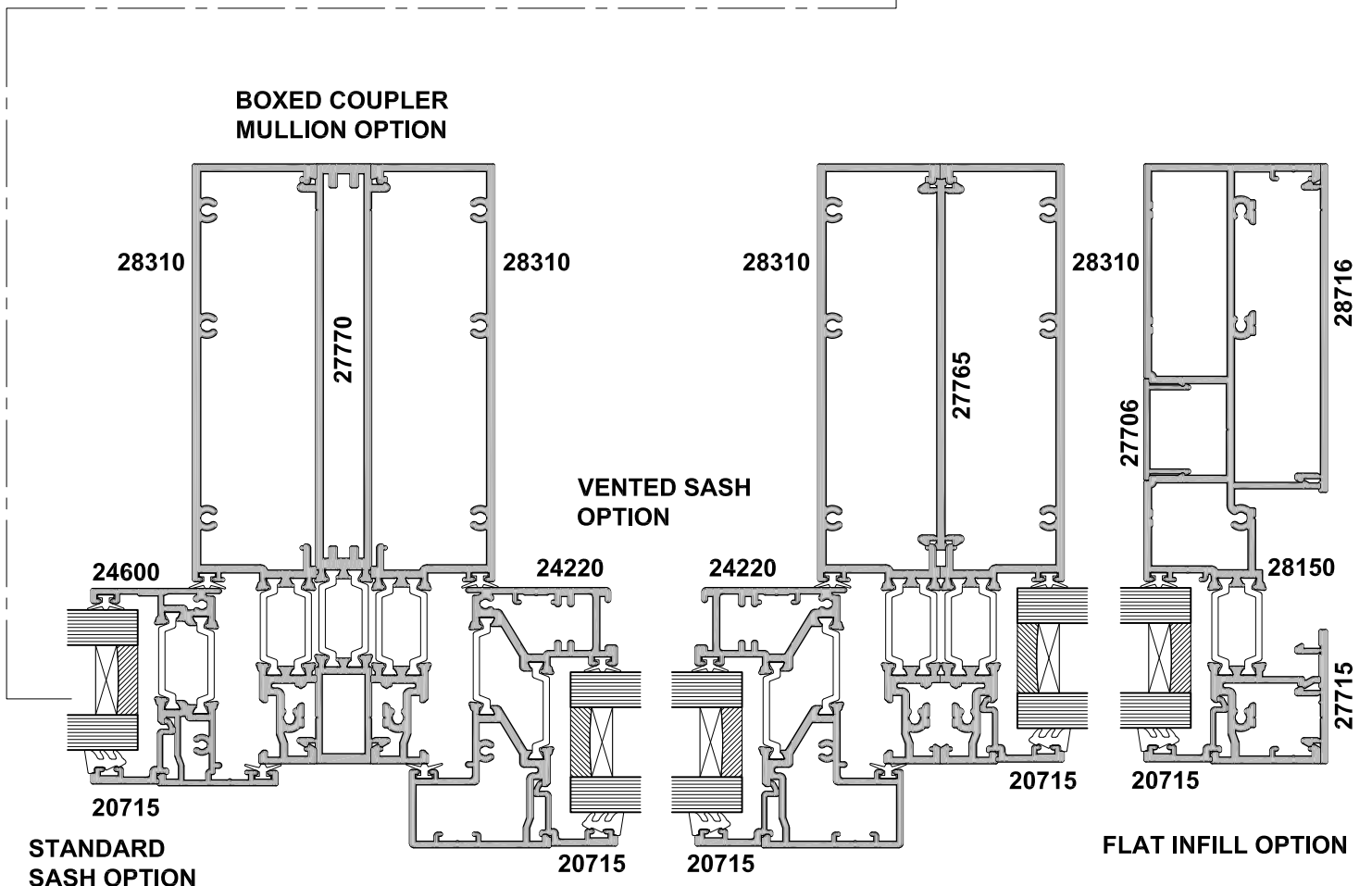
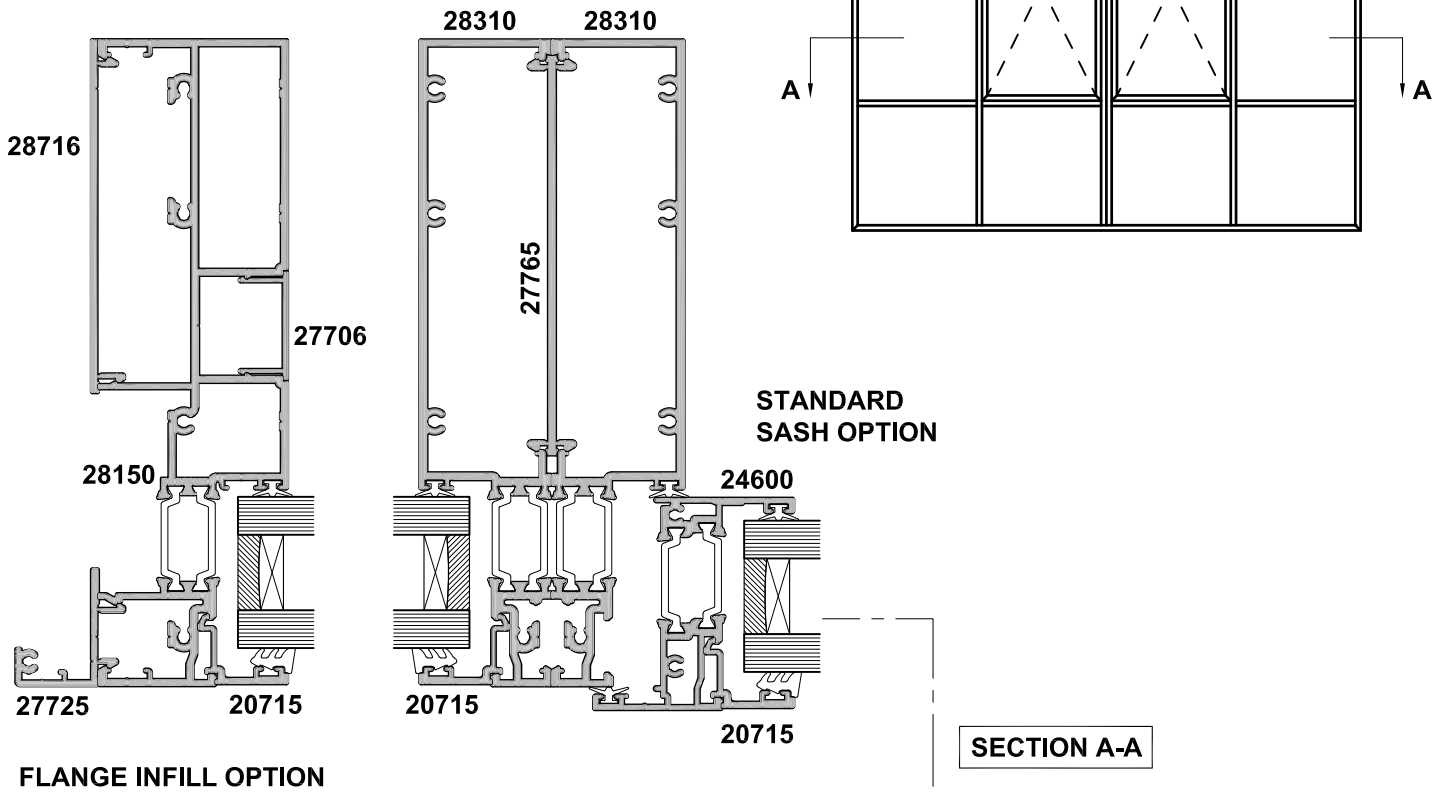
FLAT INFILL OPTION

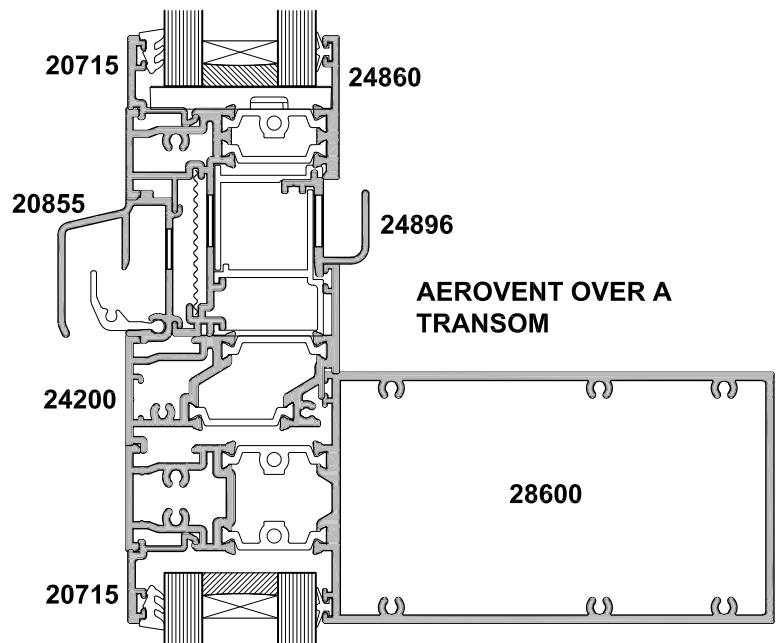
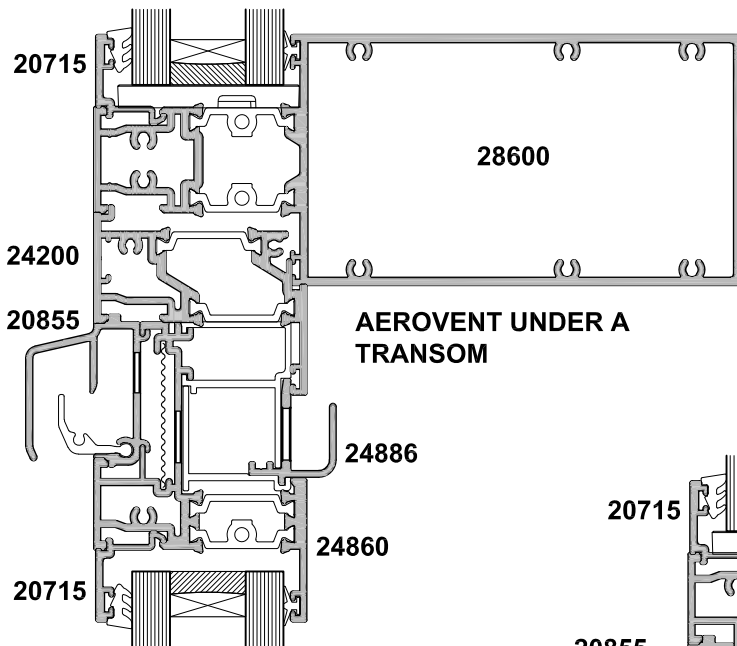
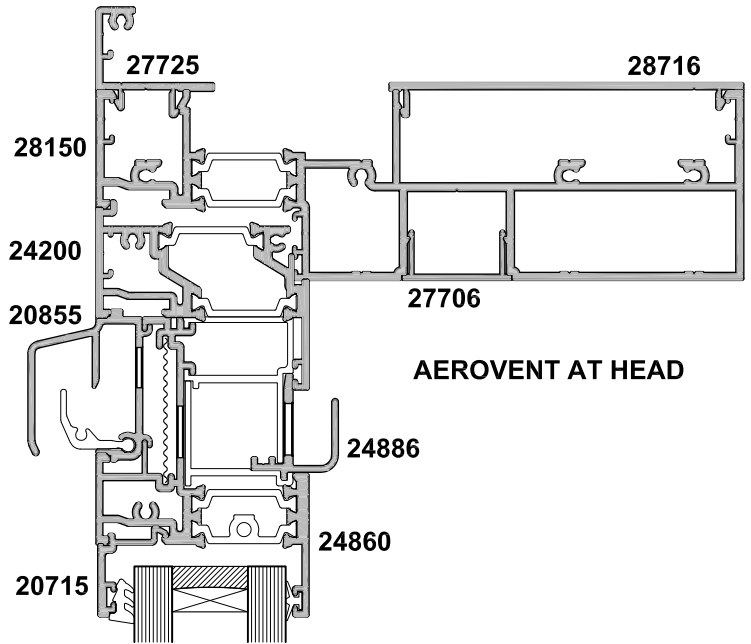


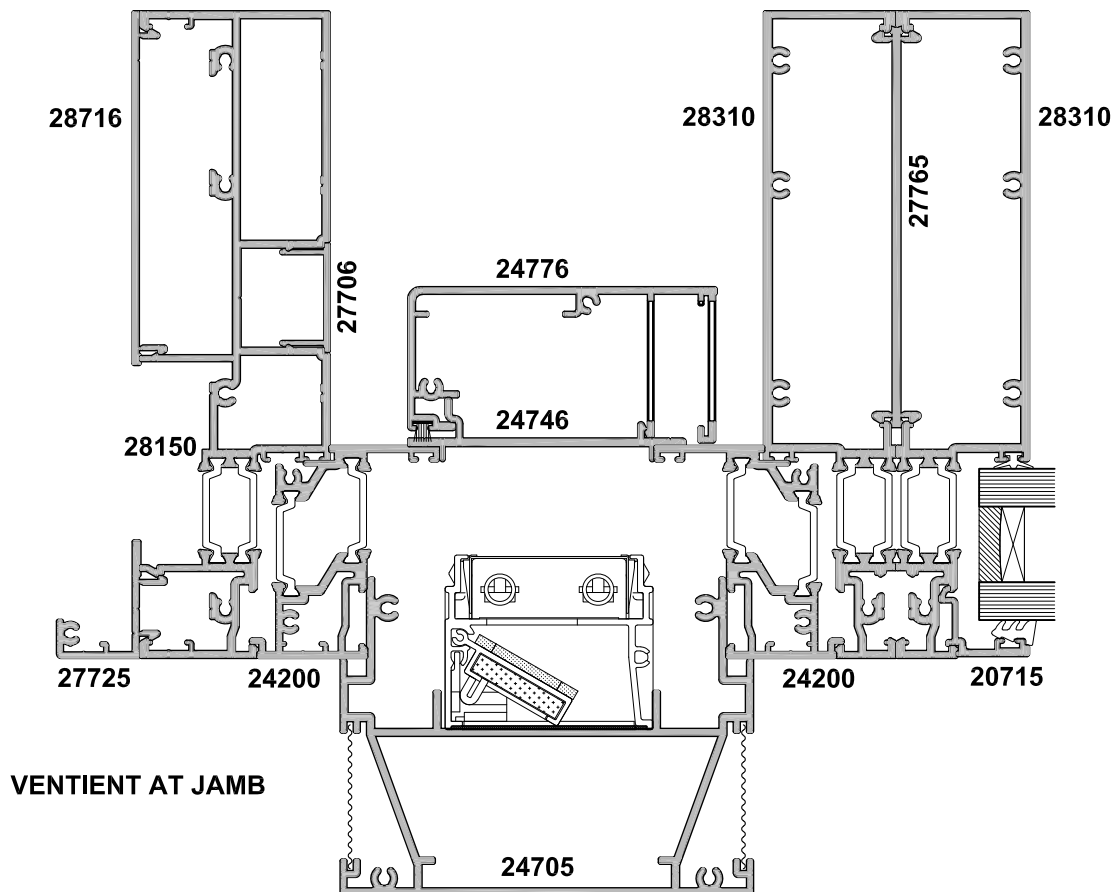
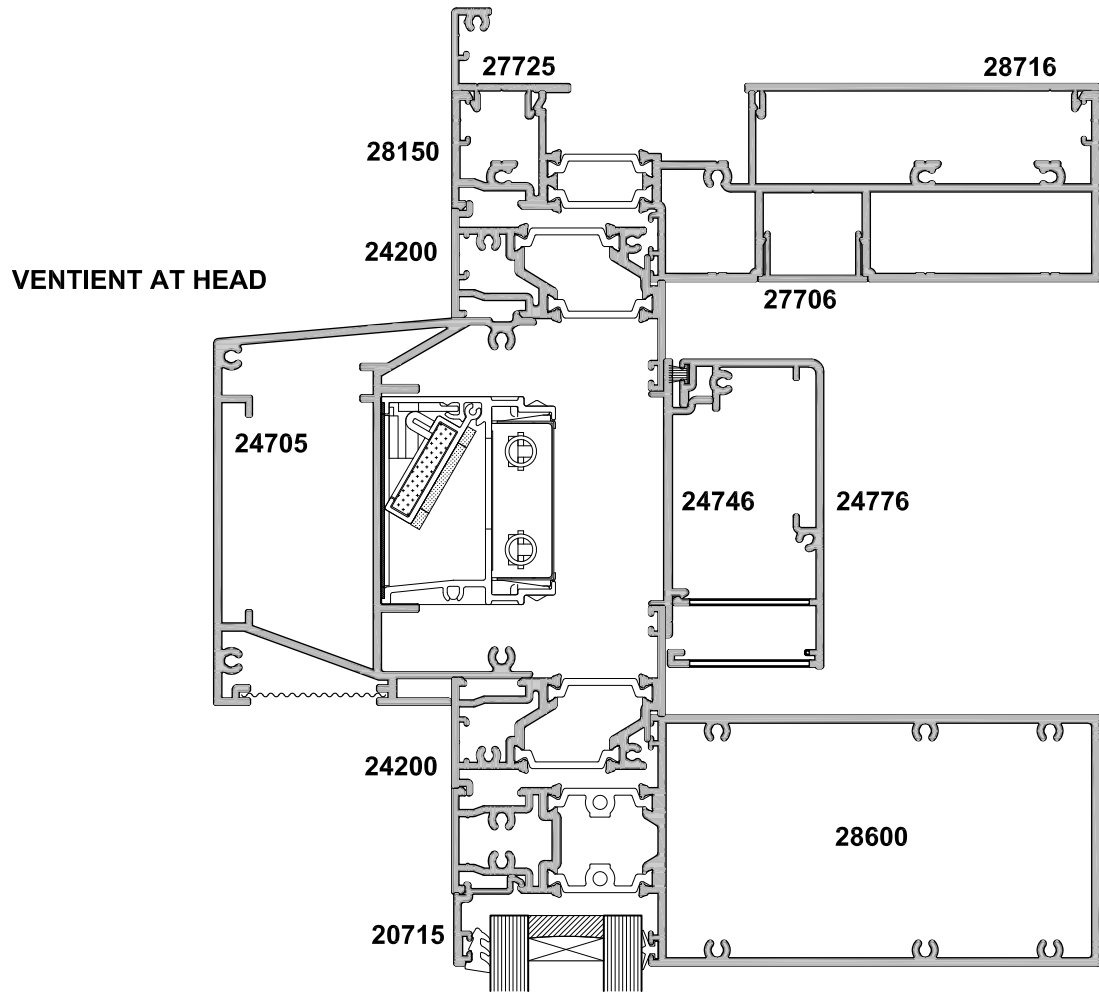
VENTED SASH OPTION

SECTION A-A

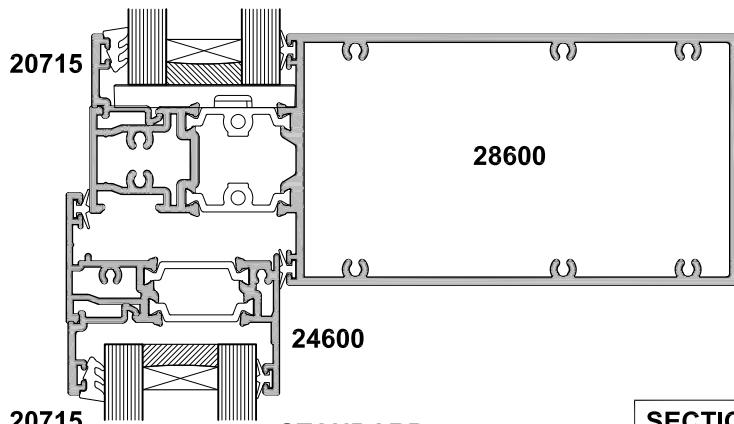
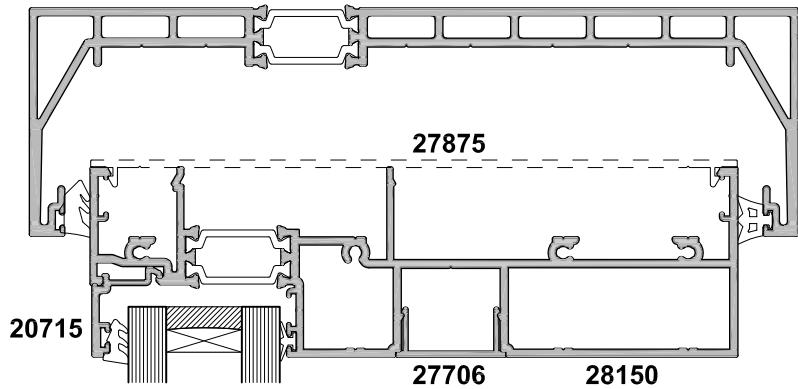
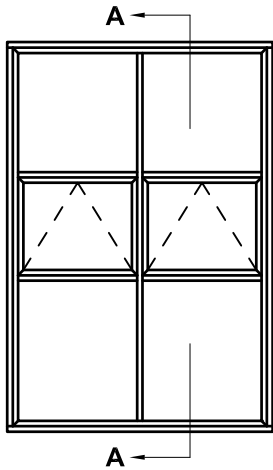






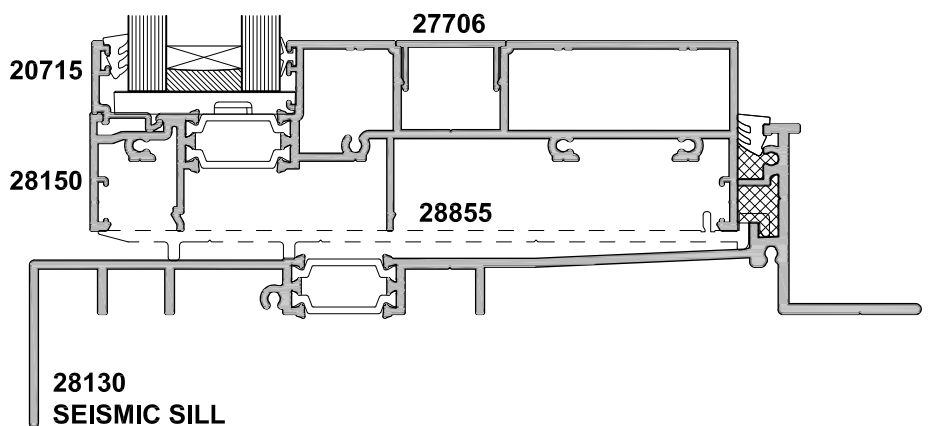
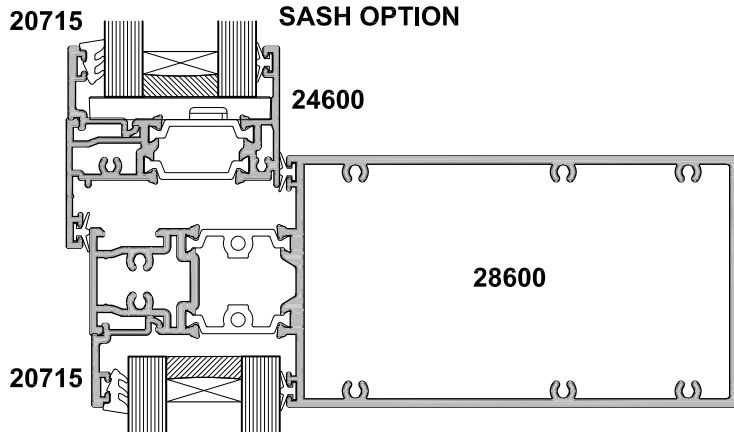


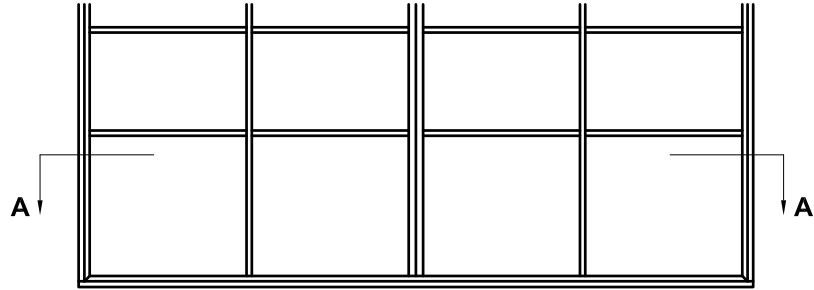
**32010
SEISMIC HEAD
EXTERNALLY BEADED OPTION**



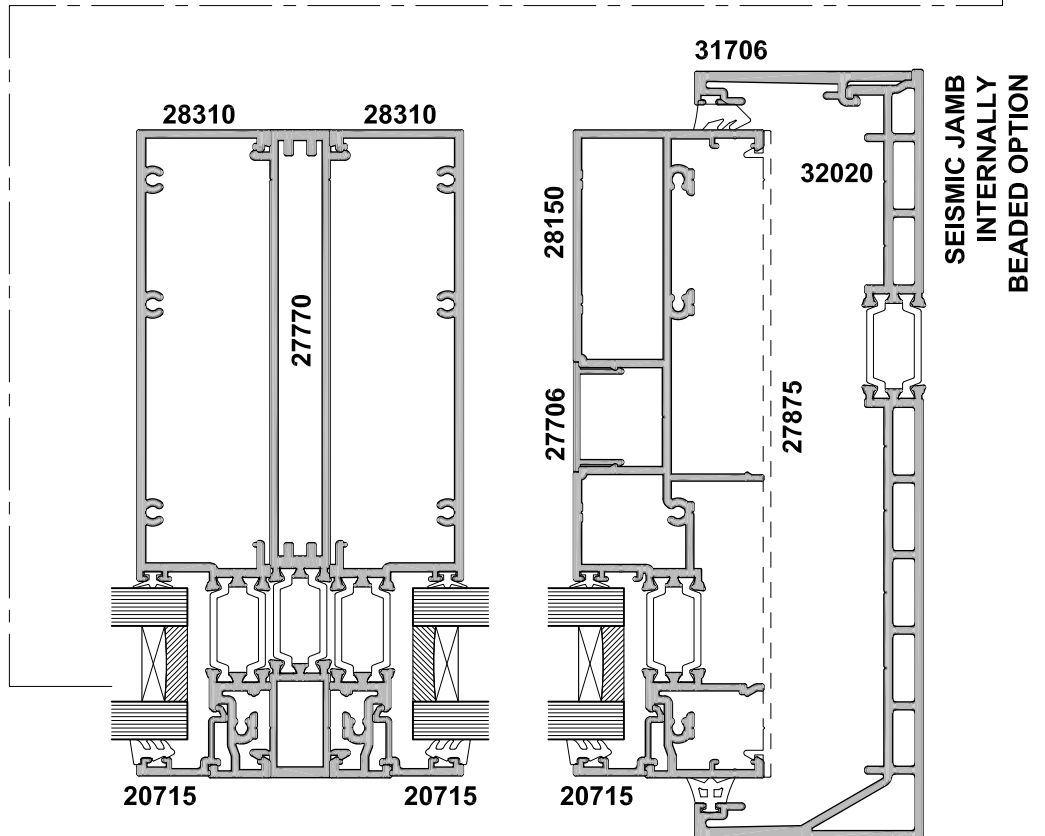
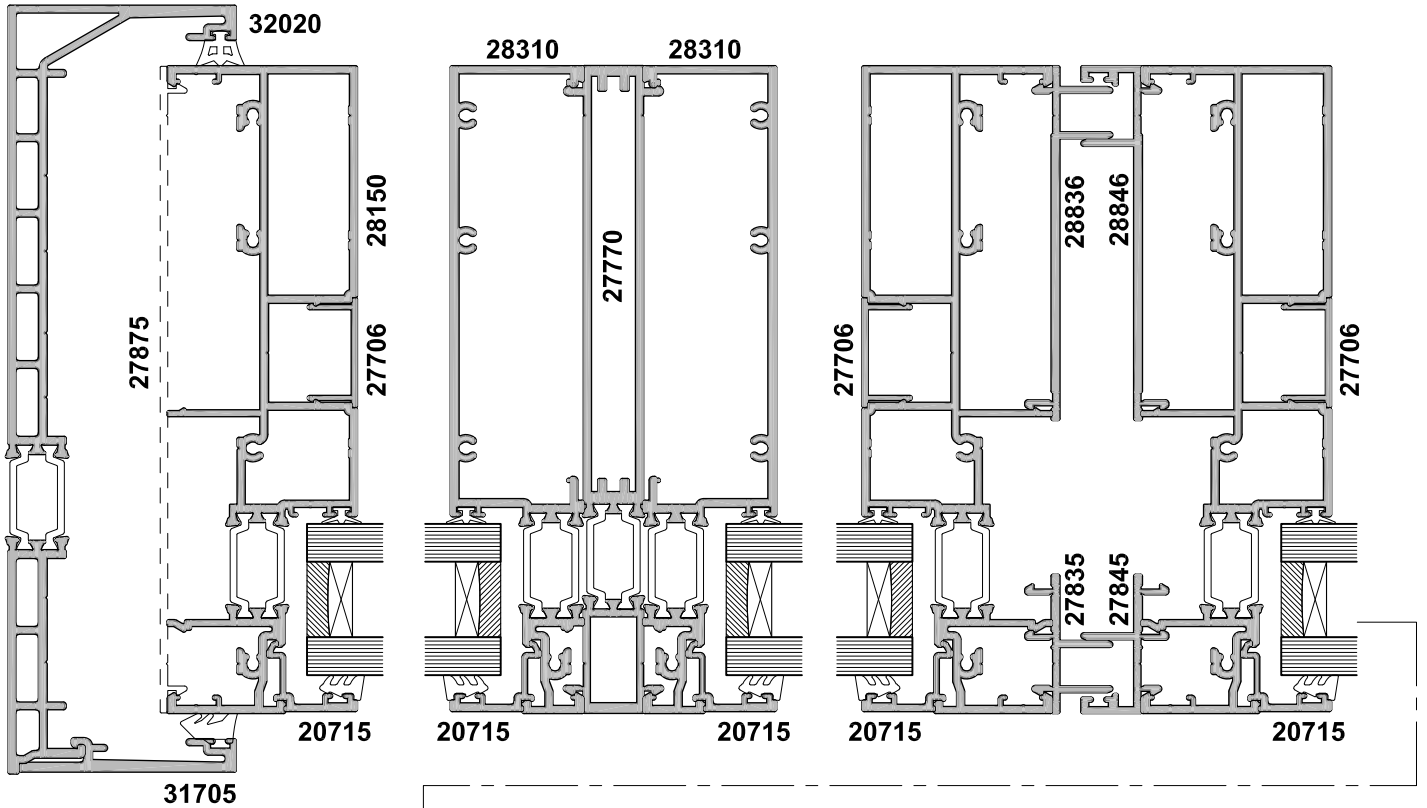
SECTION A-A

**STANDARD
SASH OPTION**





**SEISMIC JAMB
EXTERNALLY
BEADED OPTION**



**SEISMIC JAMB
INTERNALLY
BEADED OPTION**