

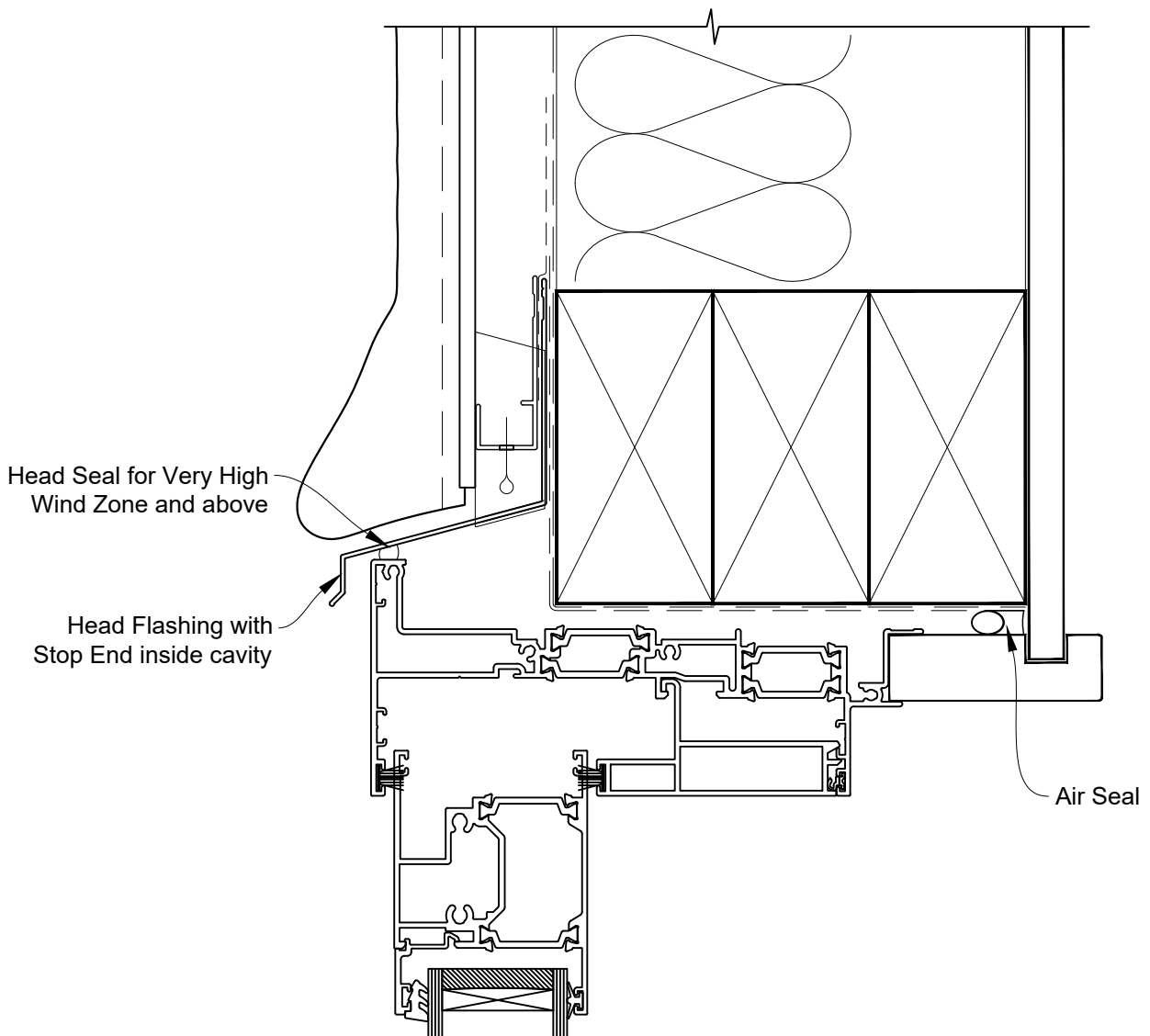


# INSTALLATION DETAIL - 56mm METRO THERMAL HEART SLIDING WINDOW OUT ON STUCCO CAVITY CONSTRUCTION

Date: 01.03.23

Scale: 1:2

CAD Ref.: TM56SWST-CH



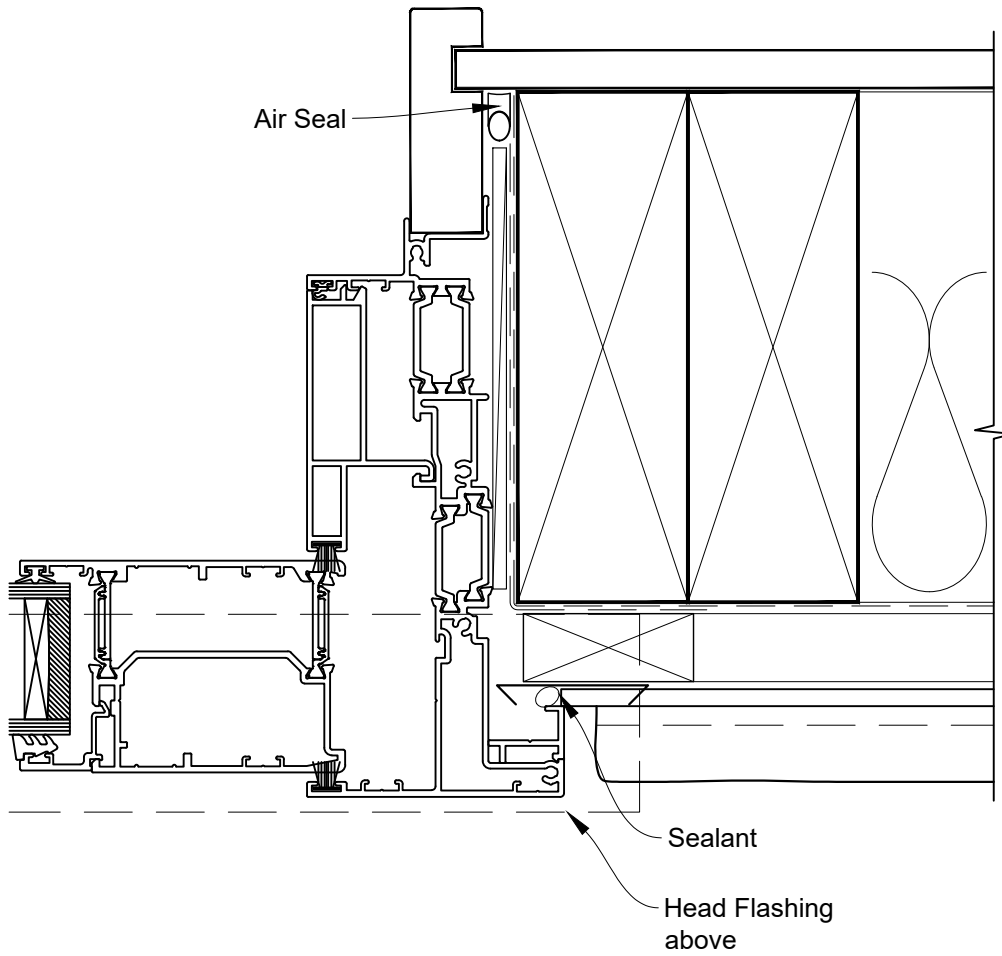


# INSTALLATION DETAIL - 56mm METRO THERMAL HEART SLIDING WINDOW OUT ON STUCCO CAVITY CONSTRUCTION

Date: 01.03.23

Scale: 1:2

CAD Ref.: TM56SWST-CJ





# INSTALLATION DETAIL - 56mm METRO THERMAL HEART SLIDING WINDOW OUT ON STUCCO CAVITY CONSTRUCTION

Date: 01.03.23

Scale: 1:2

CAD Ref.: TM56SWST-CS

