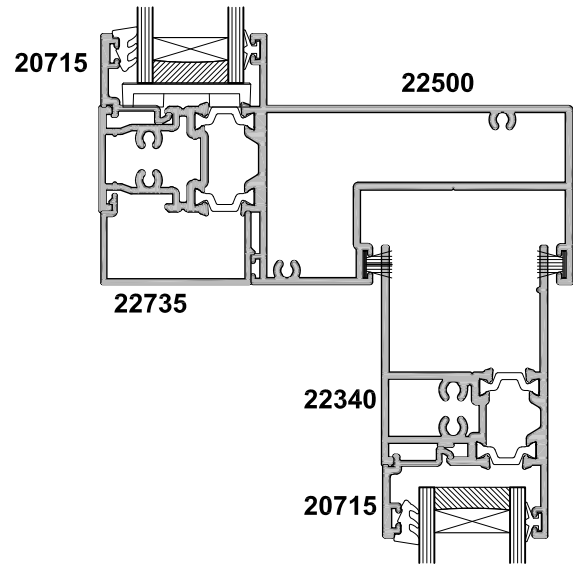


**LARGE RAIL OPTION**



**SMALL RAIL OPTION**

SECTION A-A

