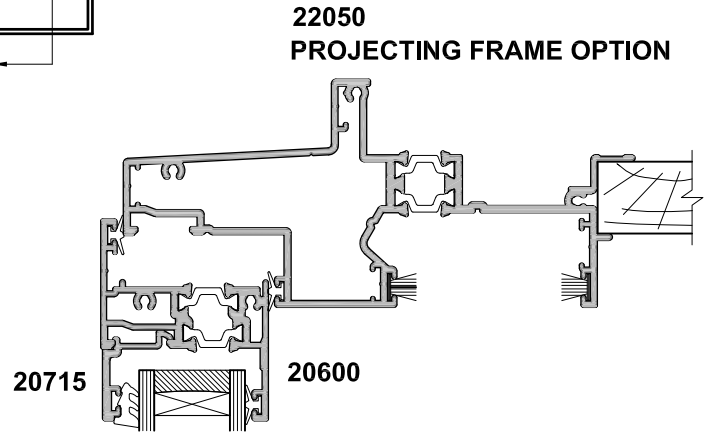
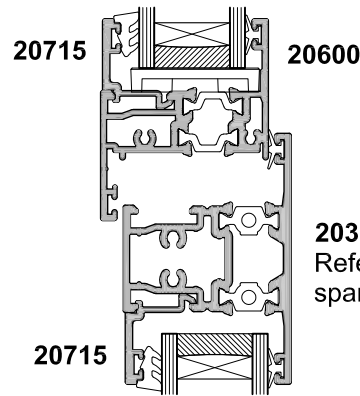


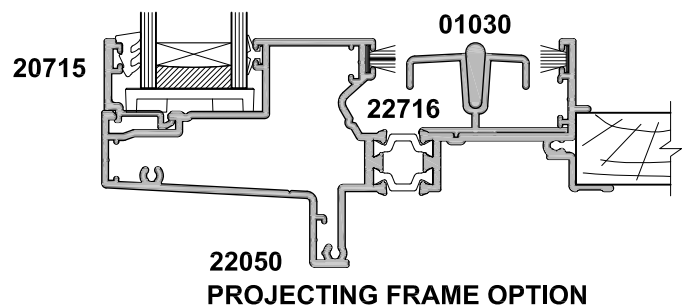
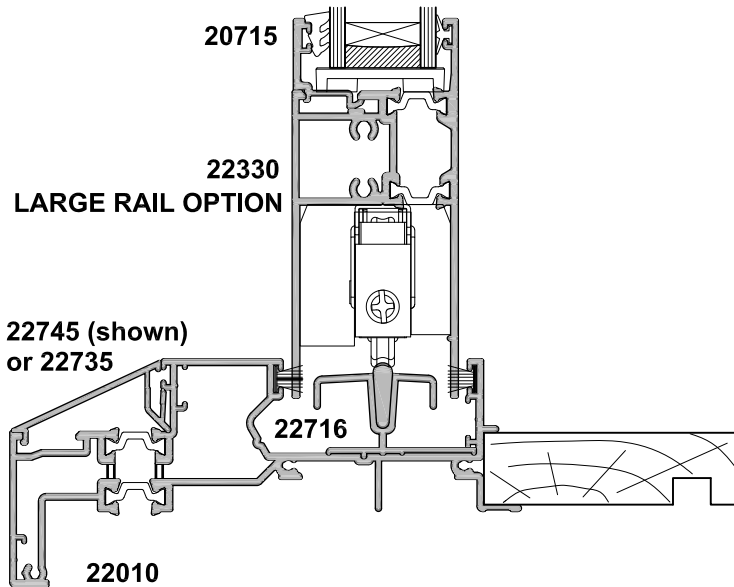
**SECTION A-A**

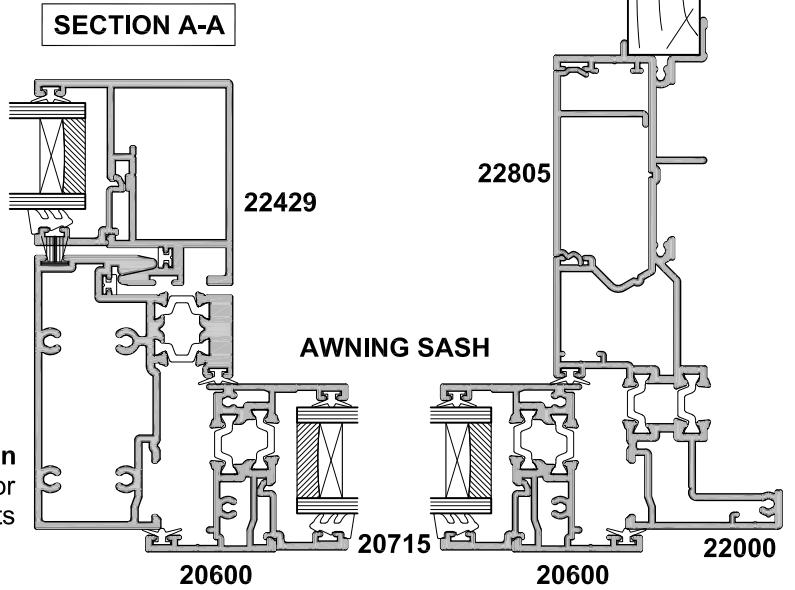
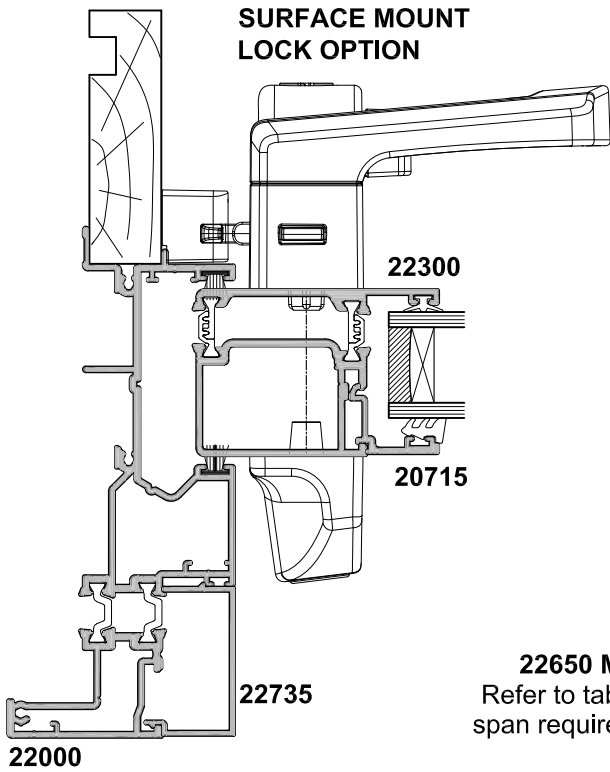
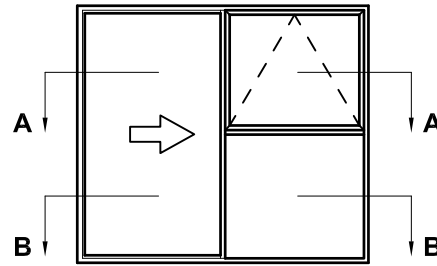


**SECTION B-B**

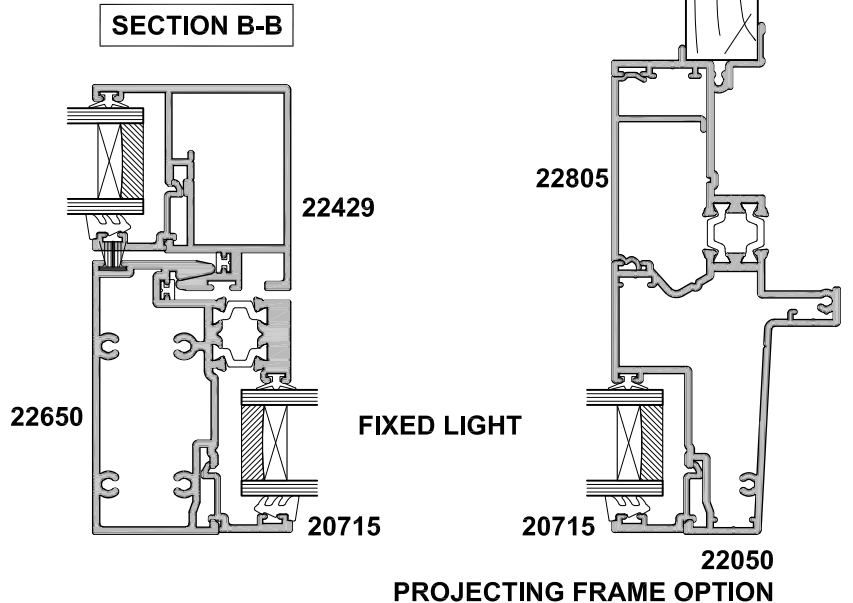
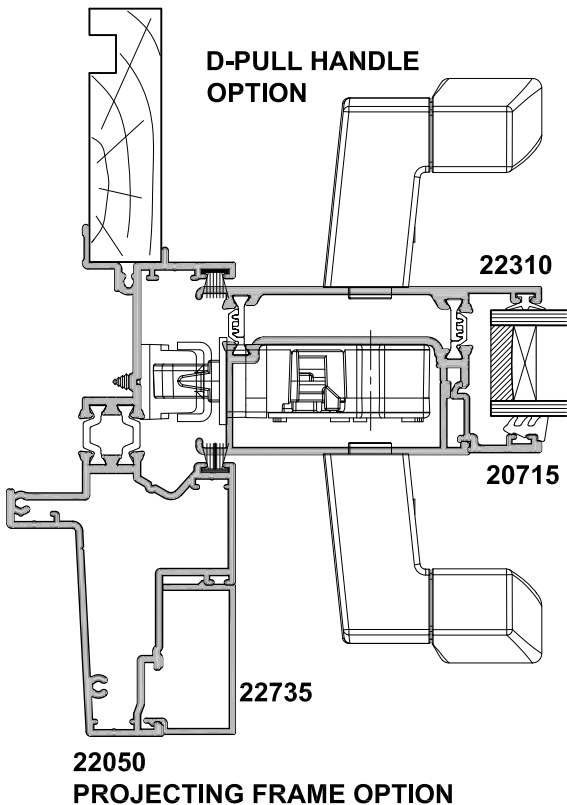


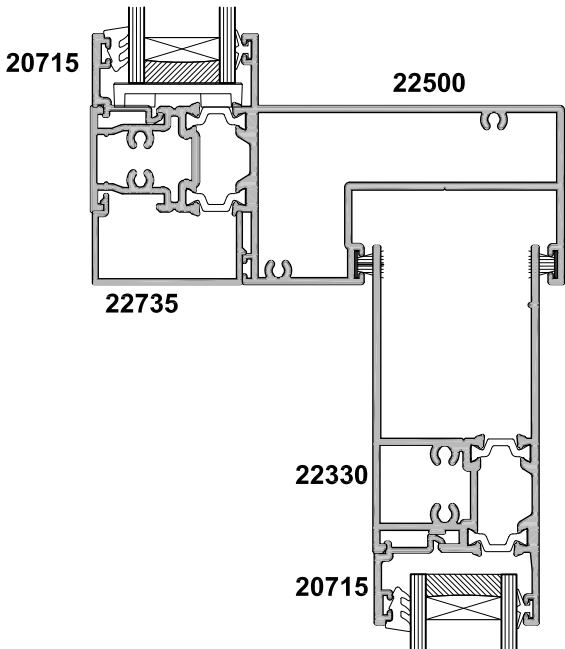
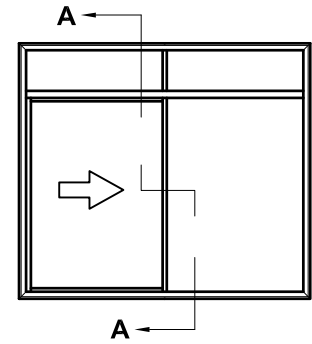
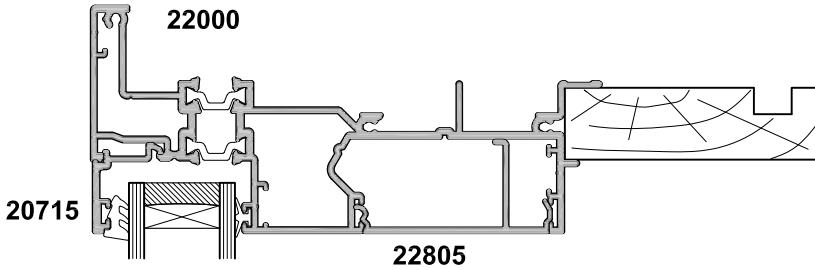
**20300 Transom**  
Refer to tables for span requirements.



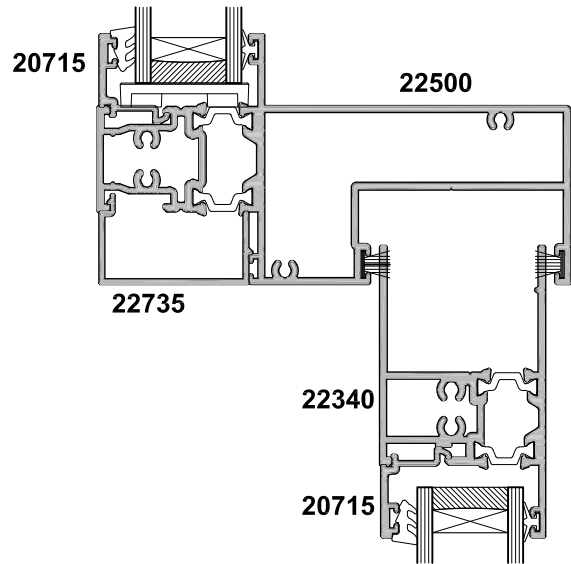


**22650 Mullion**  
Refer to tables for  
span requirements



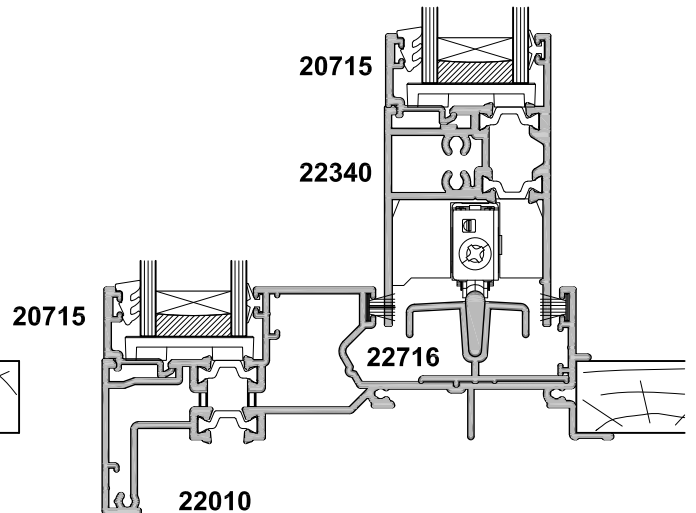
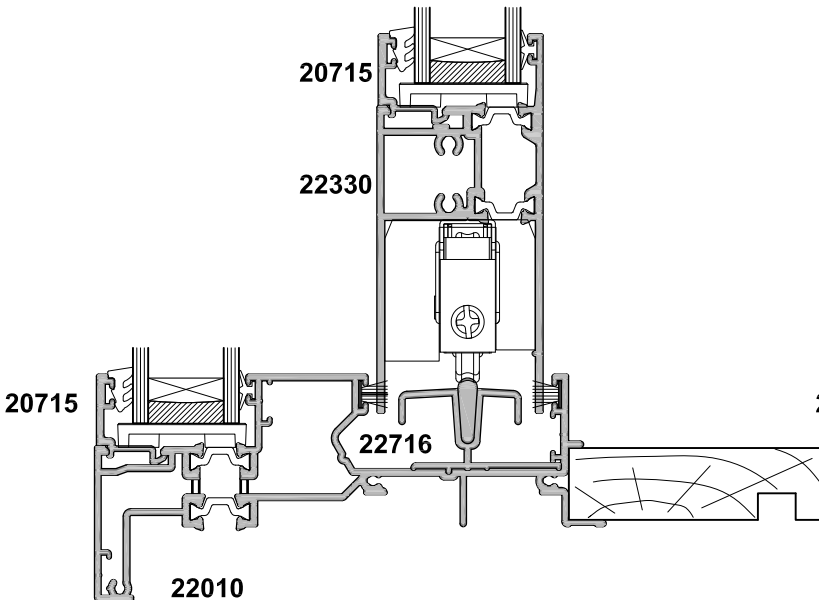


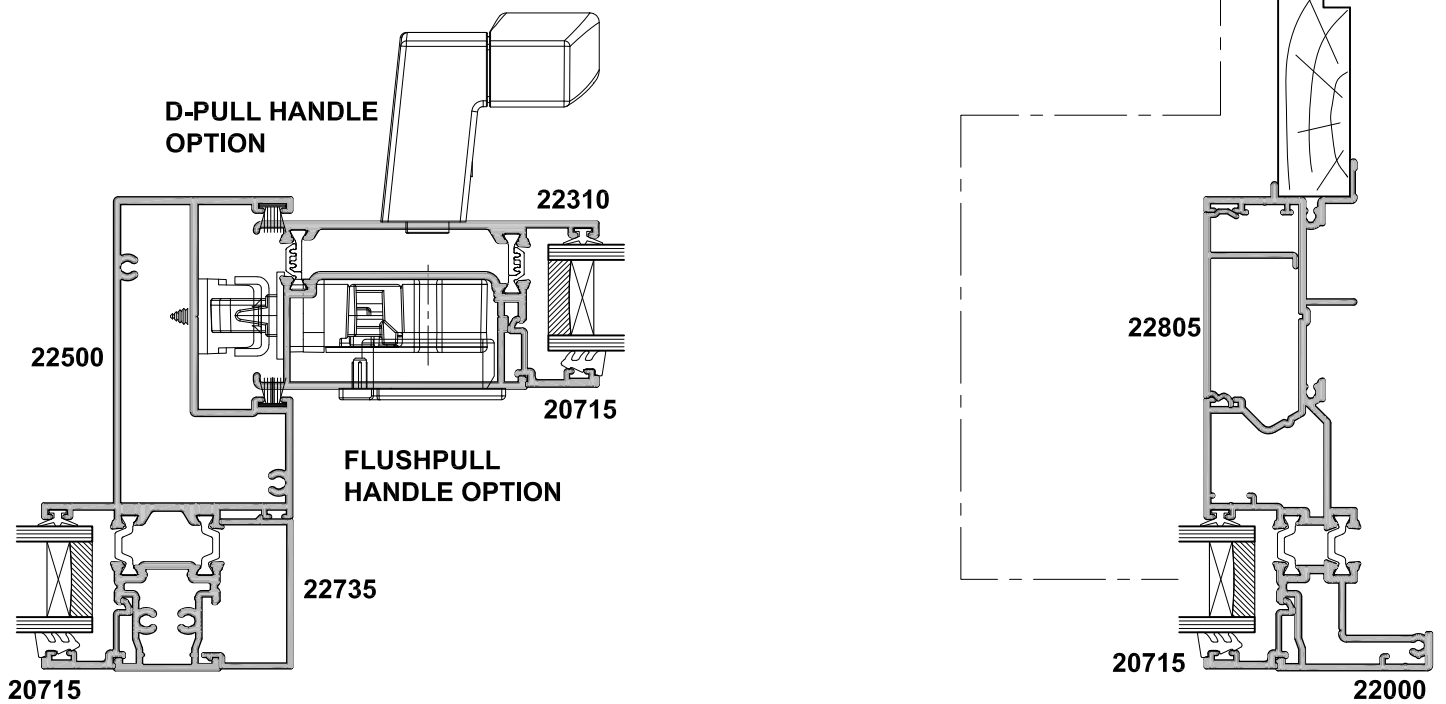
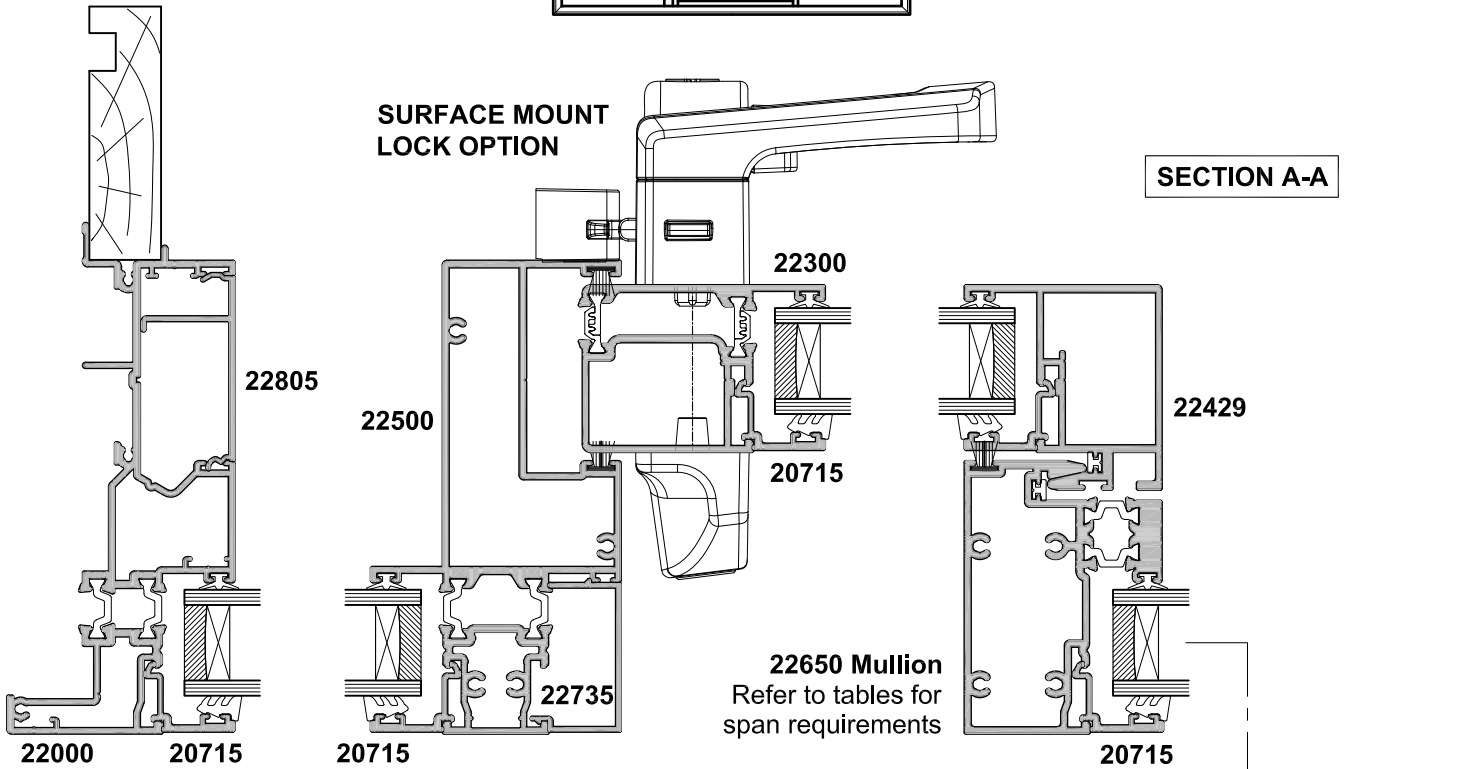
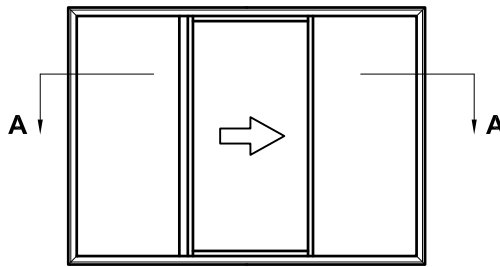
**LARGE RAIL OPTION**

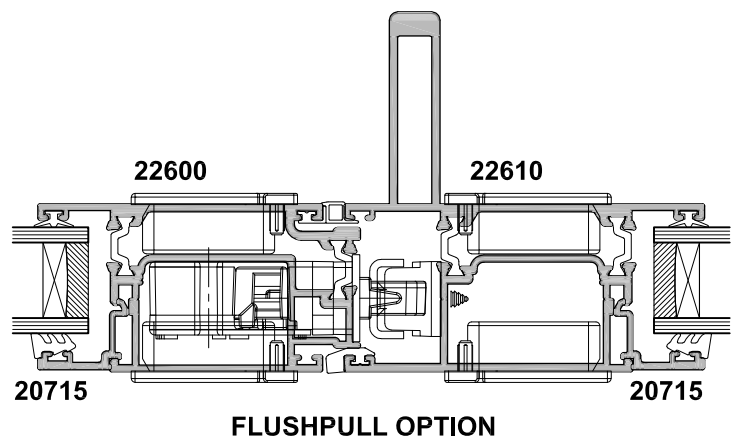
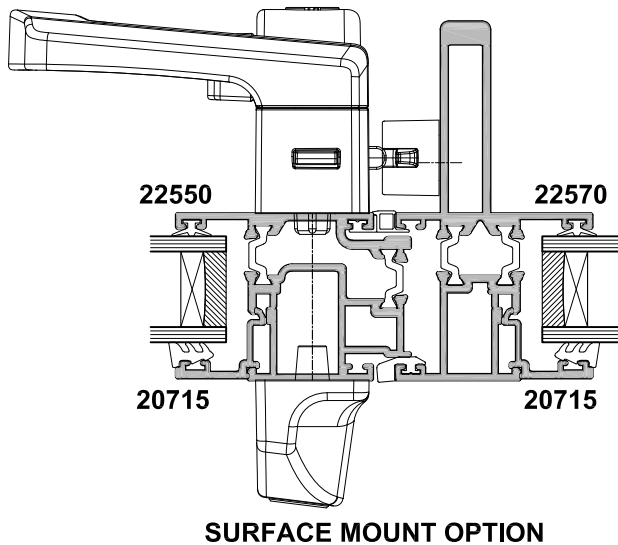
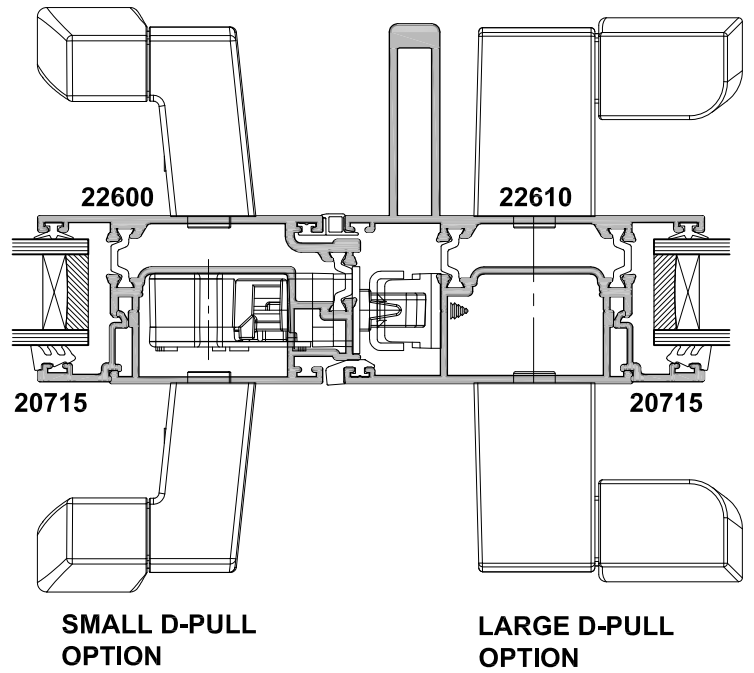
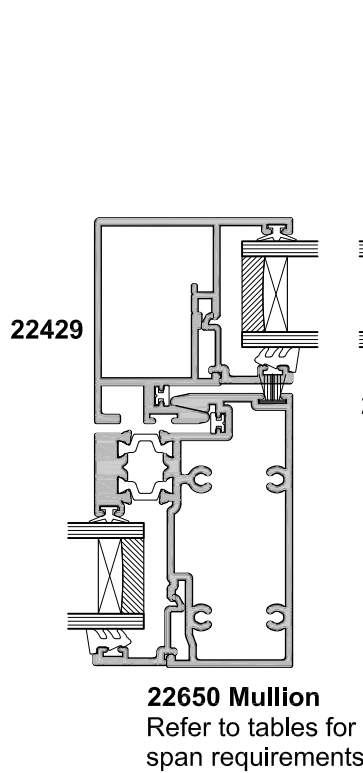
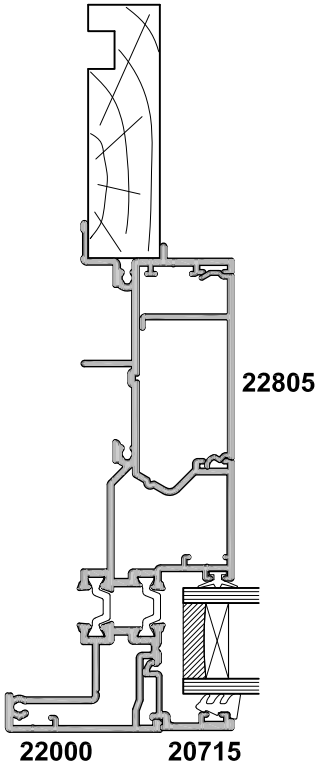
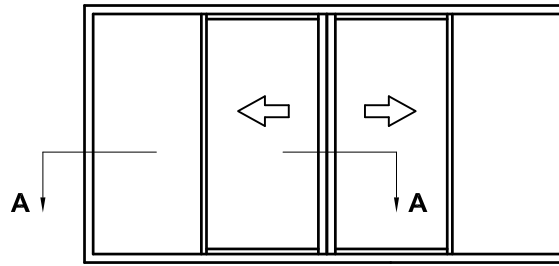


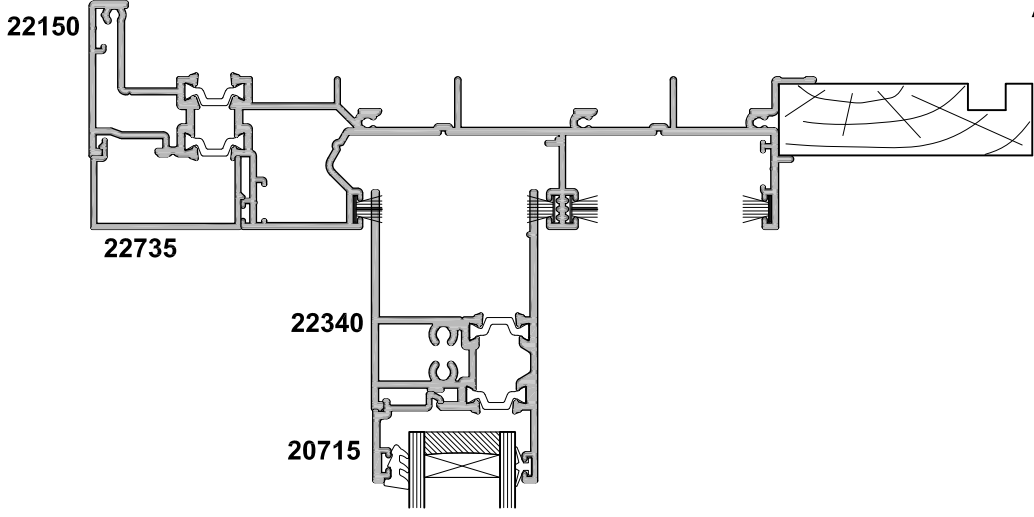
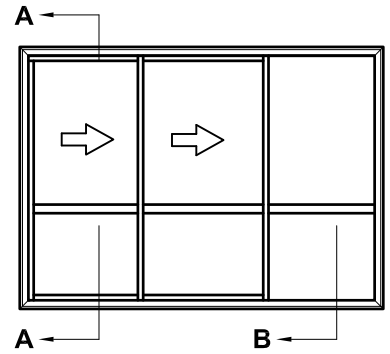
**SMALL RAIL OPTION**

**SECTION A-A**

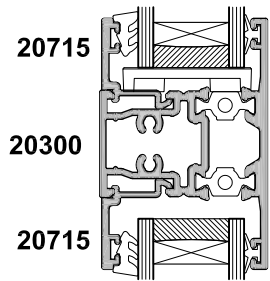




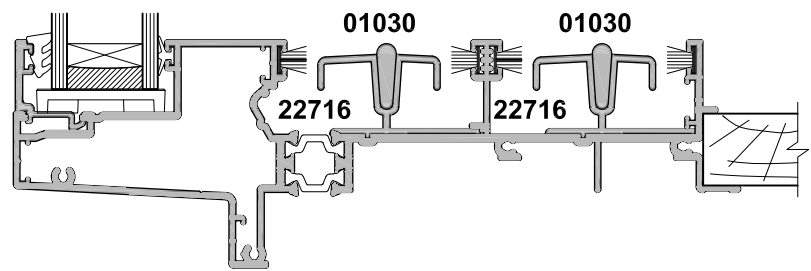




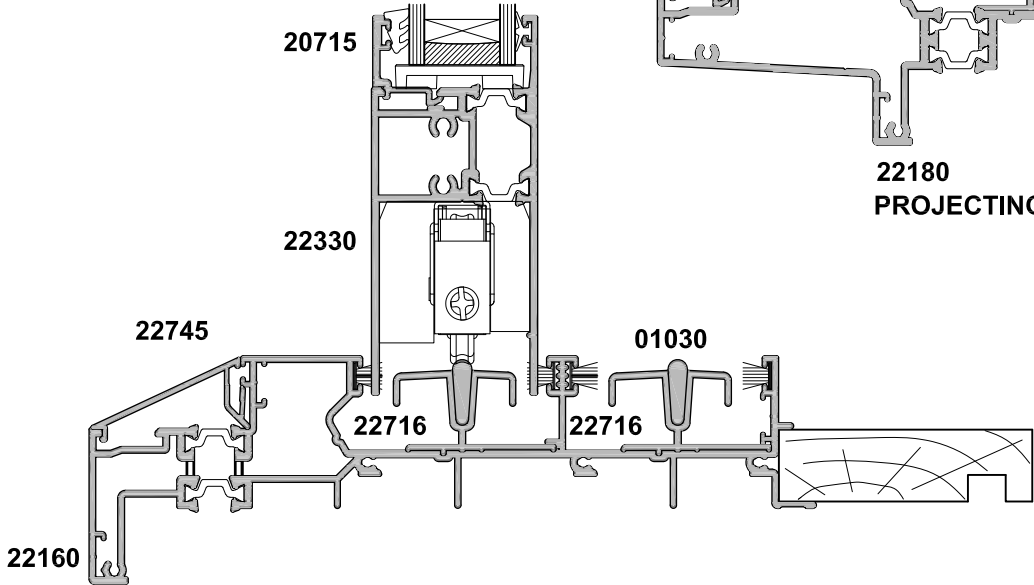
**SECTION A-A**

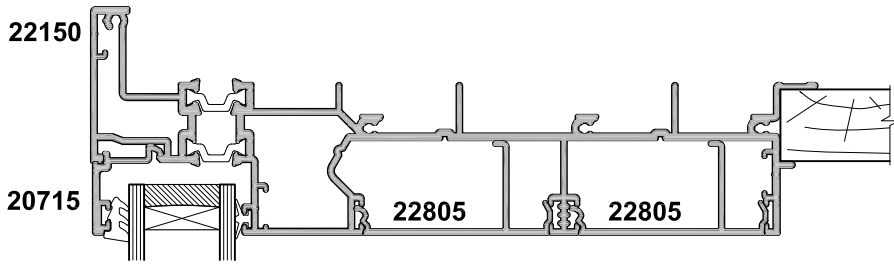


**SECTION B-B**

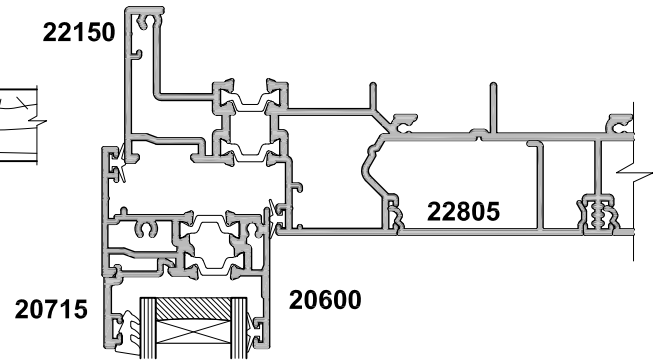


**22180  
PROJECTING FRAME OPTION**

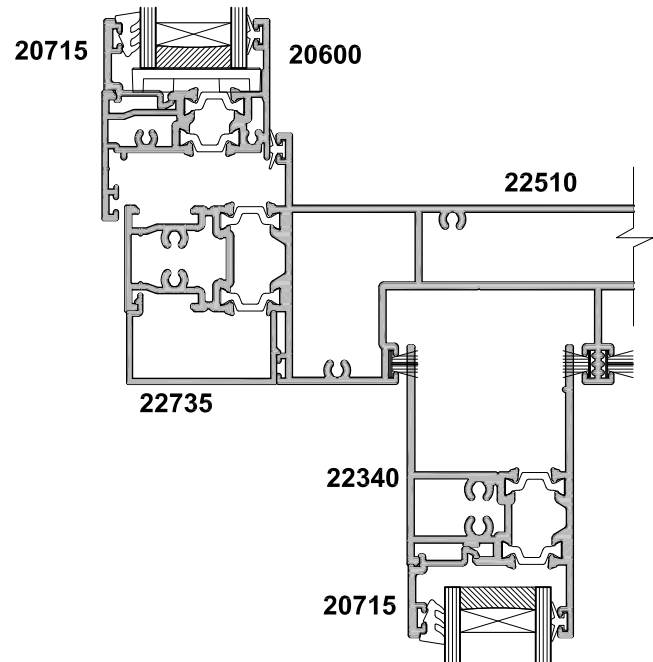
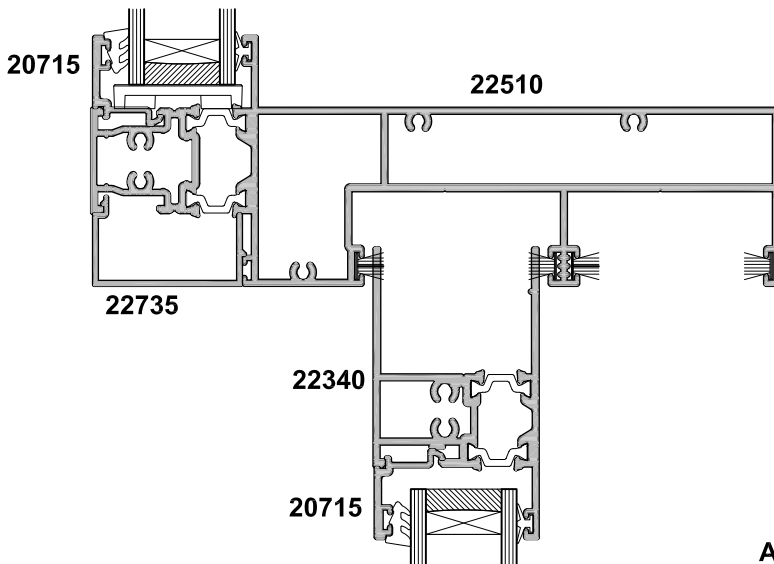




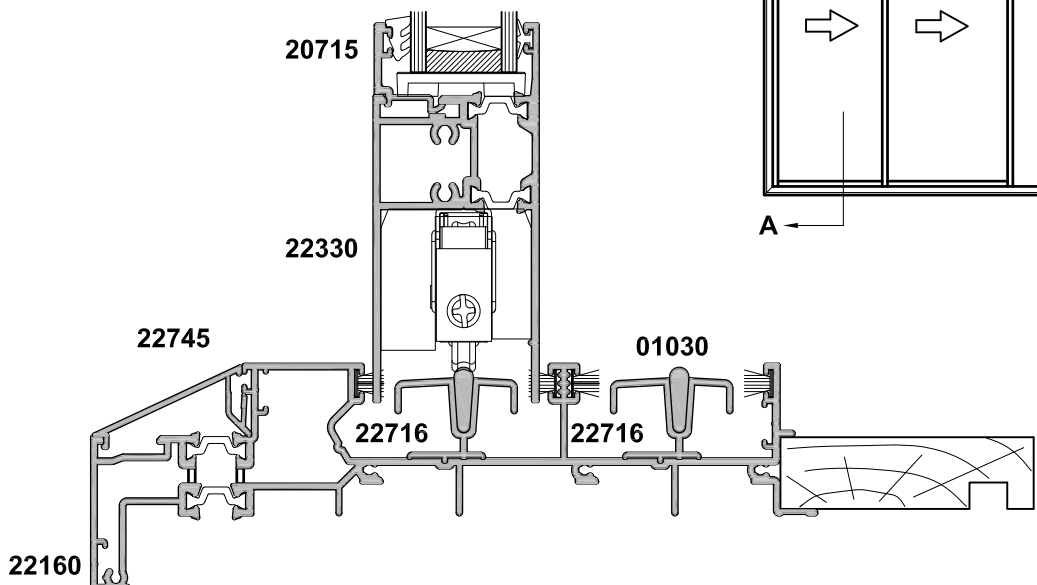
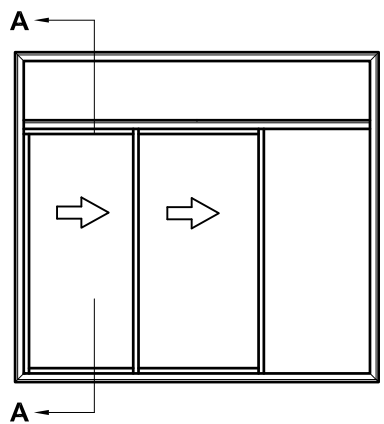
**FIXED GLAZED  
OPTION**

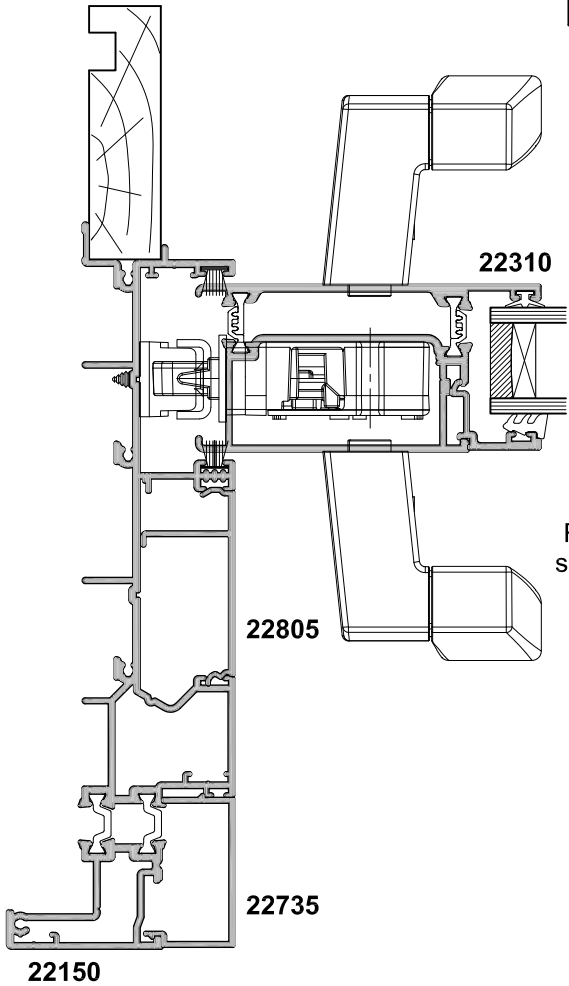
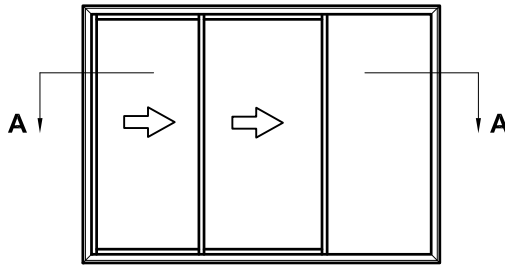


**AWNING SASH  
OPTION**

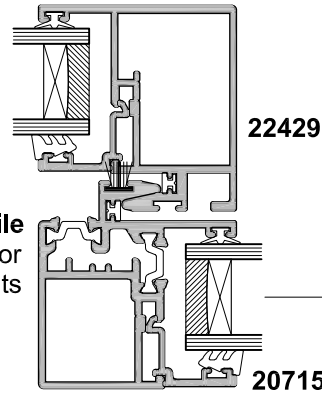


**SECTION A-A**



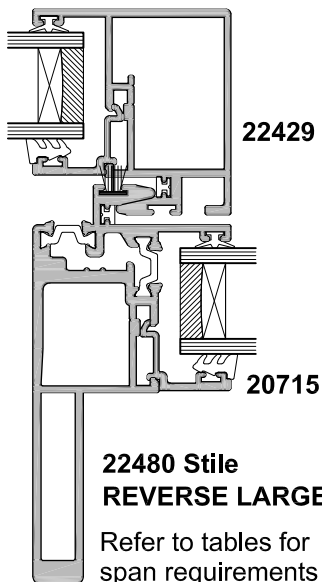


**22470 Stile**  
Refer to tables for span requirements

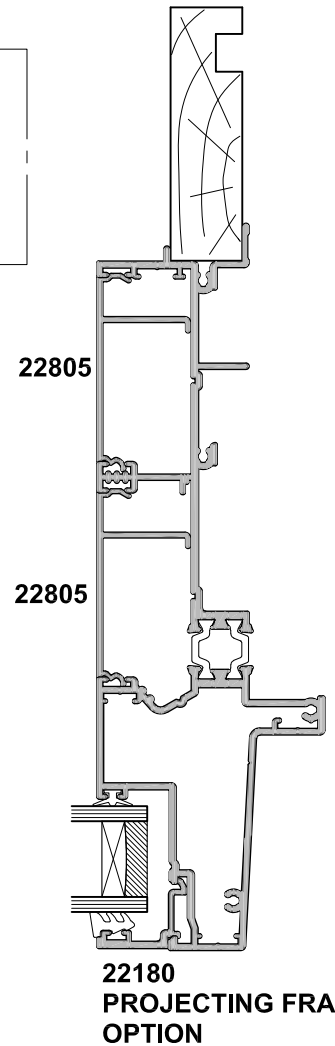
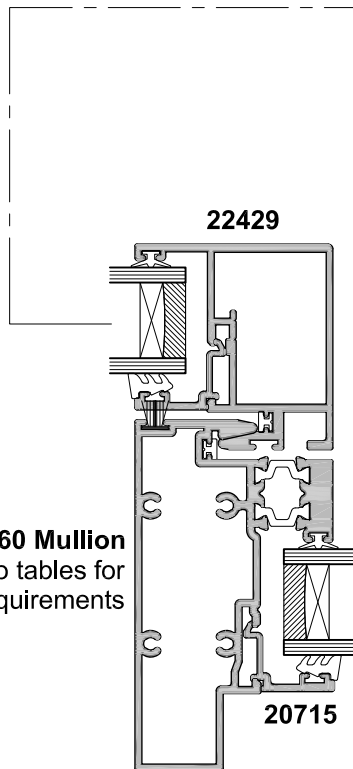


**REVERSE SMALL STILE**

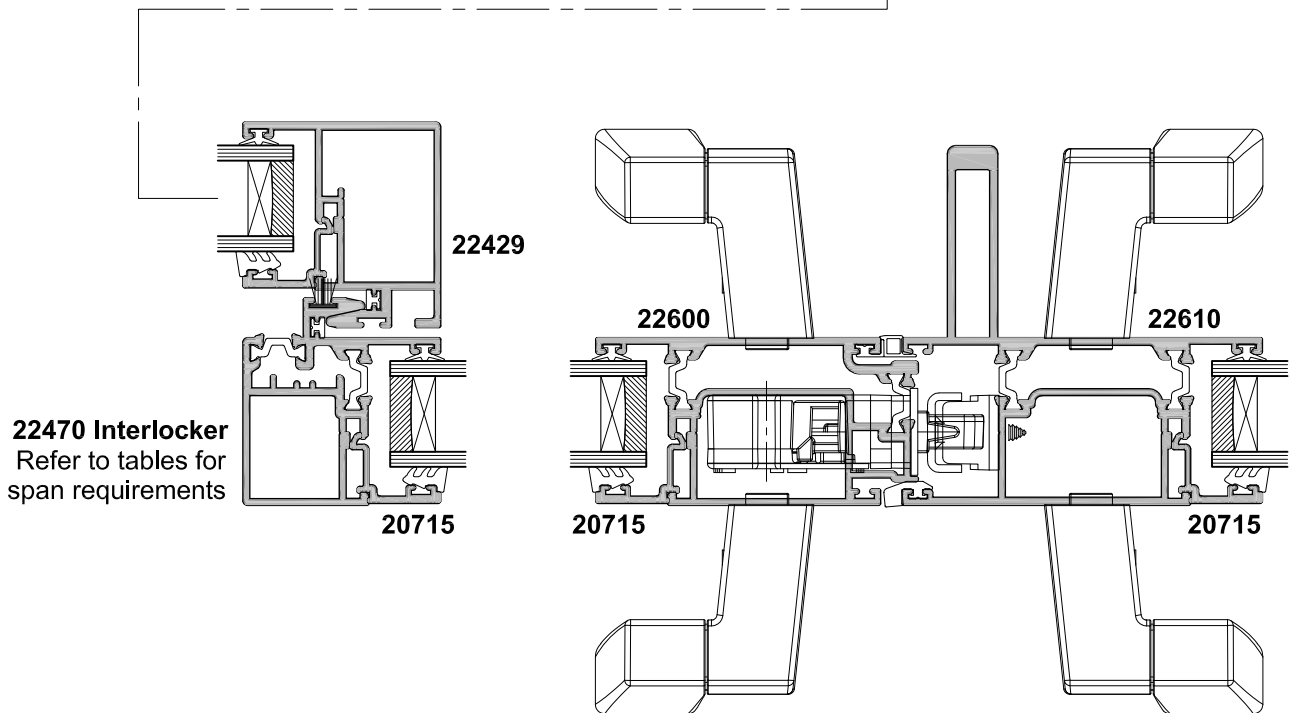
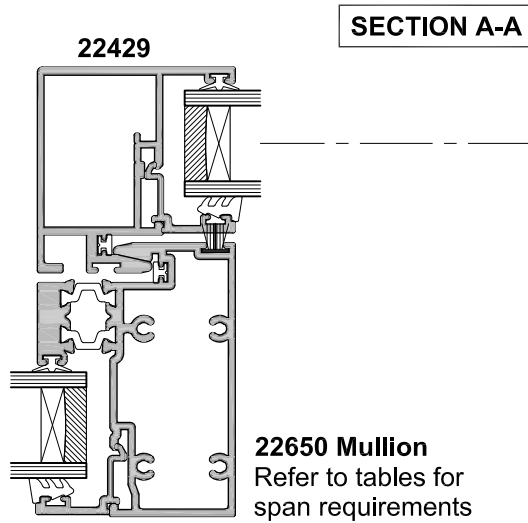
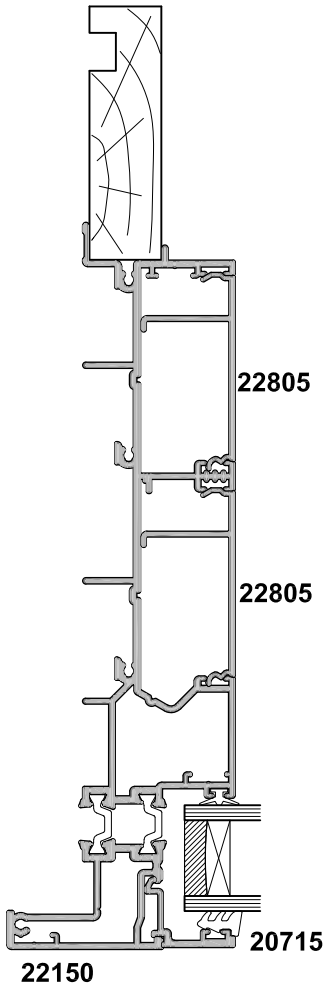
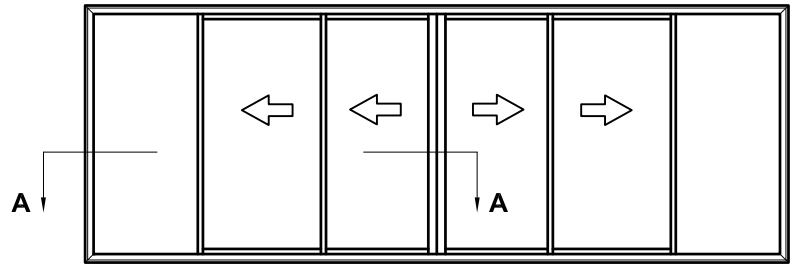
**SECTION A-A**

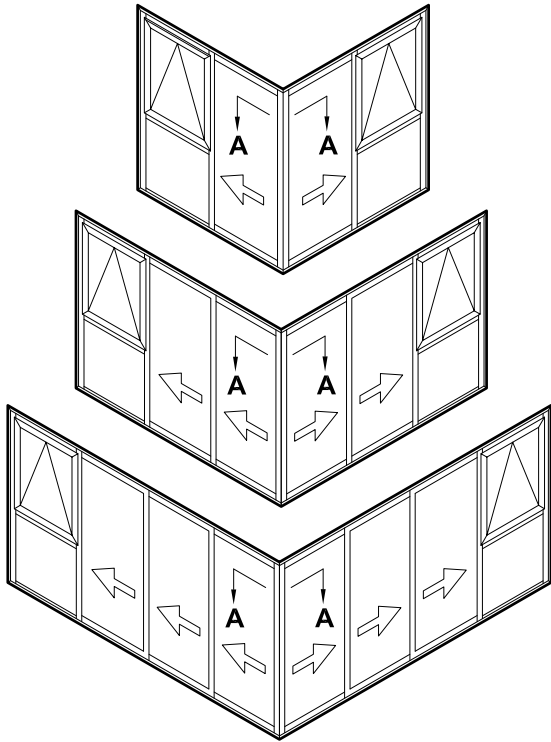


**22660 Mullion**  
Refer to tables for span requirements



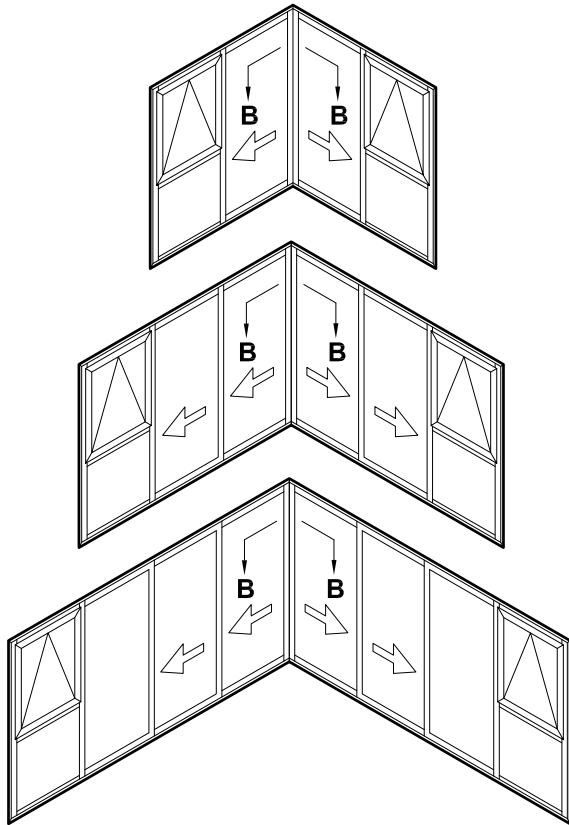
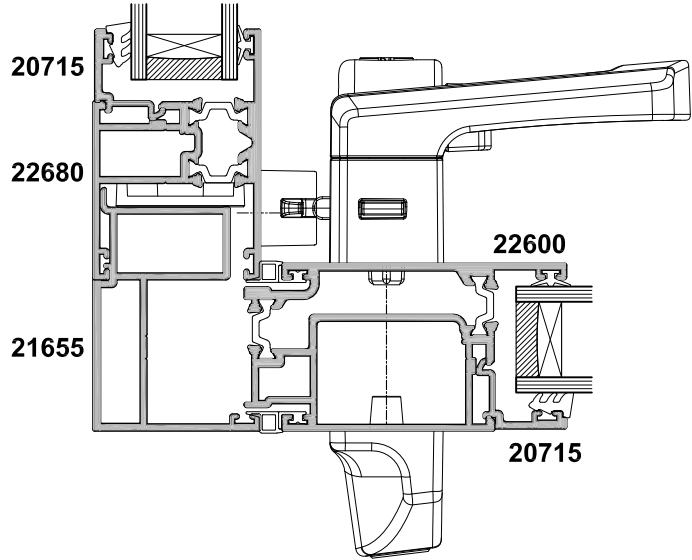






**SECTION A-A**

**EXTERNAL CORNER**



**SECTION B-B**

**INTERNAL CORNER**

