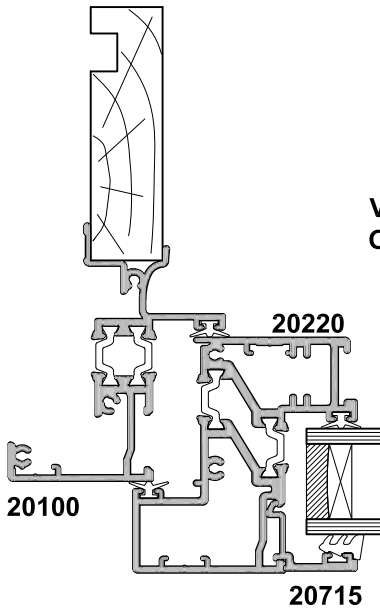
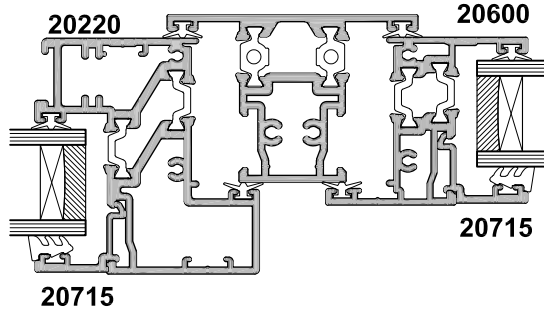


SECTION A-A

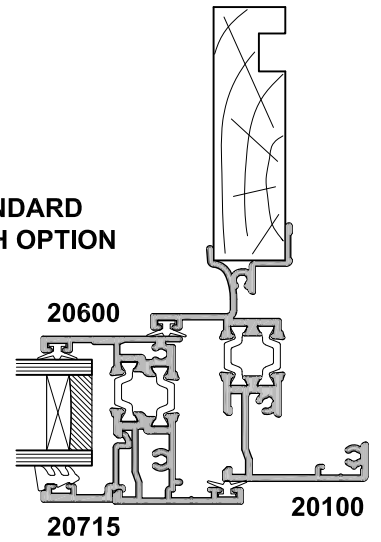
VENTED SASH OPTION



20300 Mullion
Refer to tables for span requirements



STANDARD SASH OPTION



MULLION / TRANSOM OPTIONS

Refer to tables for span requirements

