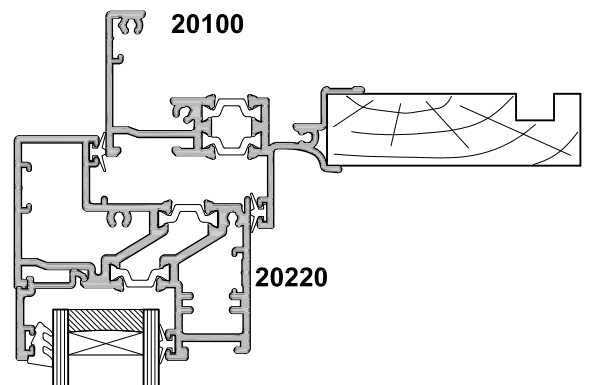
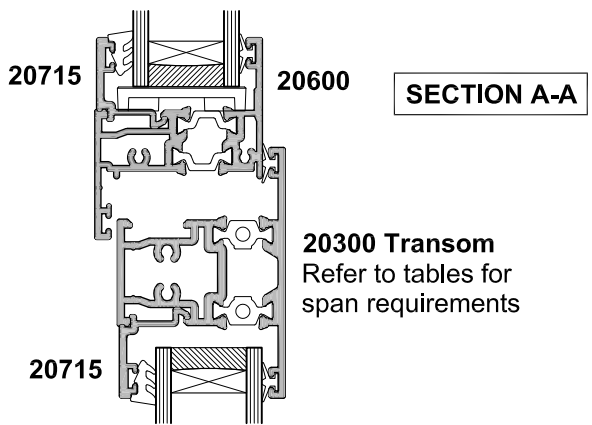


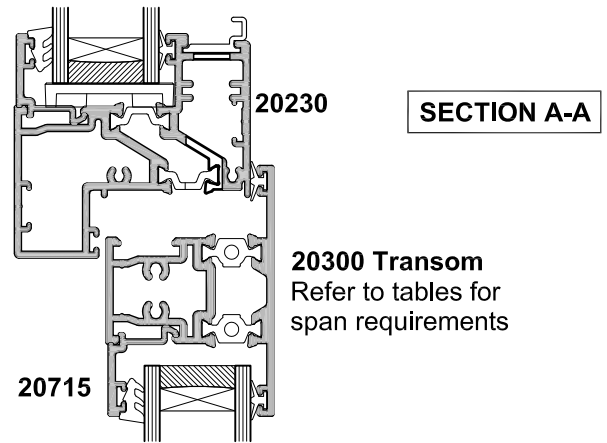
**STANDARD
SASH OPTION**



**VENTED SASH
OPTION**



20300 Transom
Refer to tables for
span requirements



20300 Transom
Refer to tables for
span requirements

