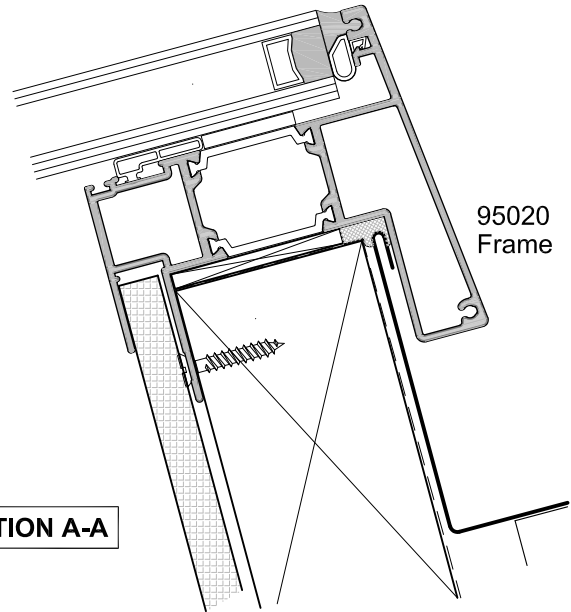
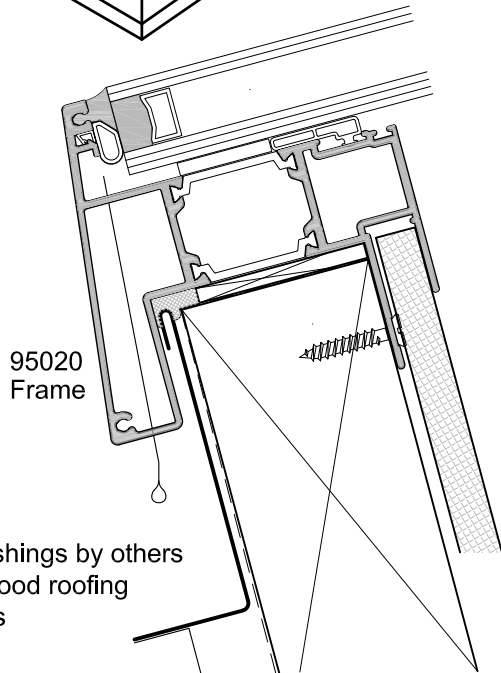
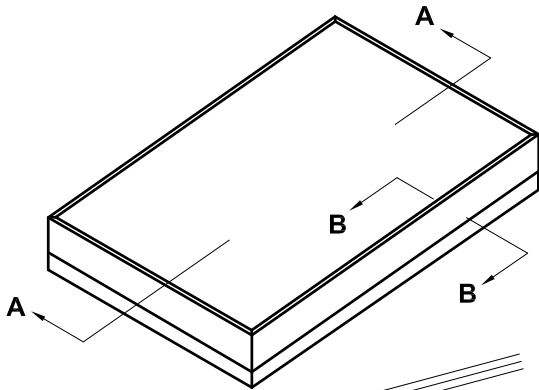


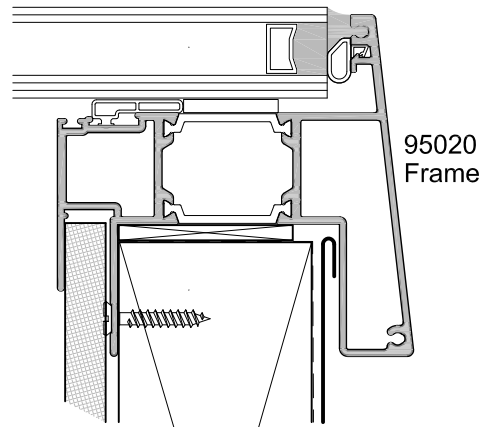
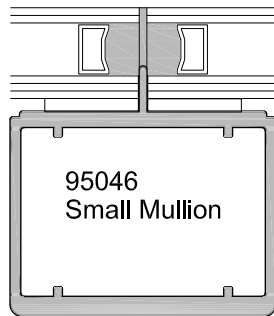
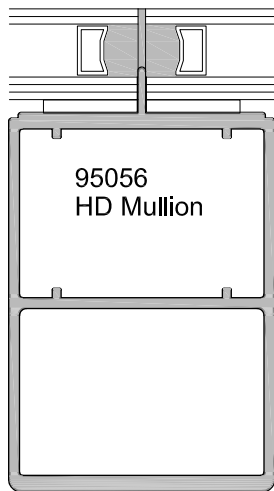
FIXED SKYLIGHT WITH THERMAL HEART

CROSS SECTION

Date 08.06.20 Scale 1:2



SECTION A-A



SECTION B-B

Note:

A Minimum Pitch of 5° is required to allow water to run off the glass.
Contact APL Technical Advisory Services for available sizes.