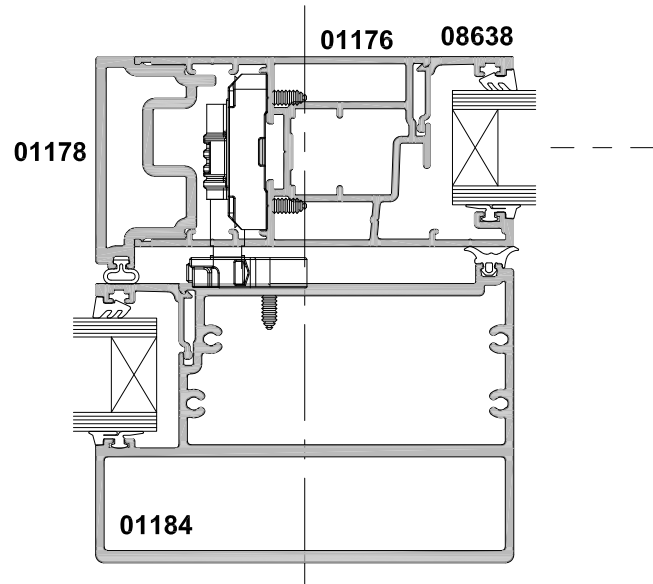
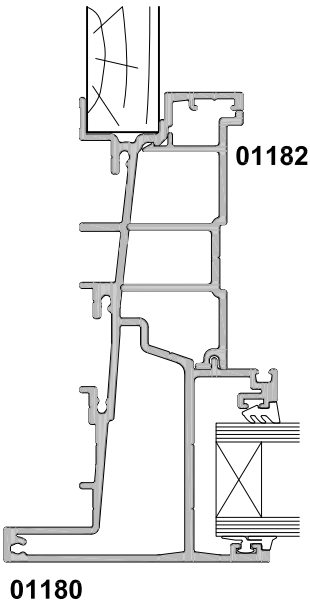
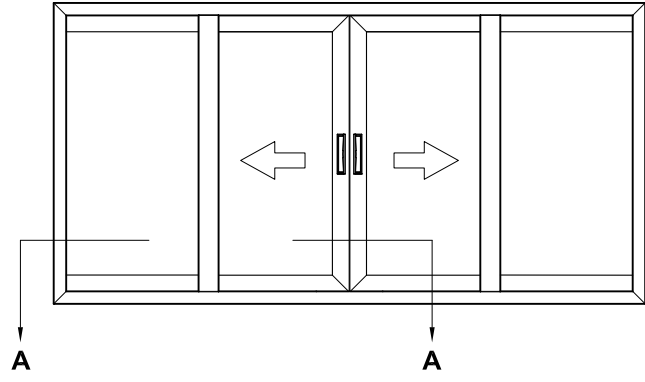


**METRO SERIES
COMPRESSION SLIDING DOOR
BI-PARTING FSSF
CROSS SECTION**

Date 01.09.20 Scale 1:2



SECTION A-A

