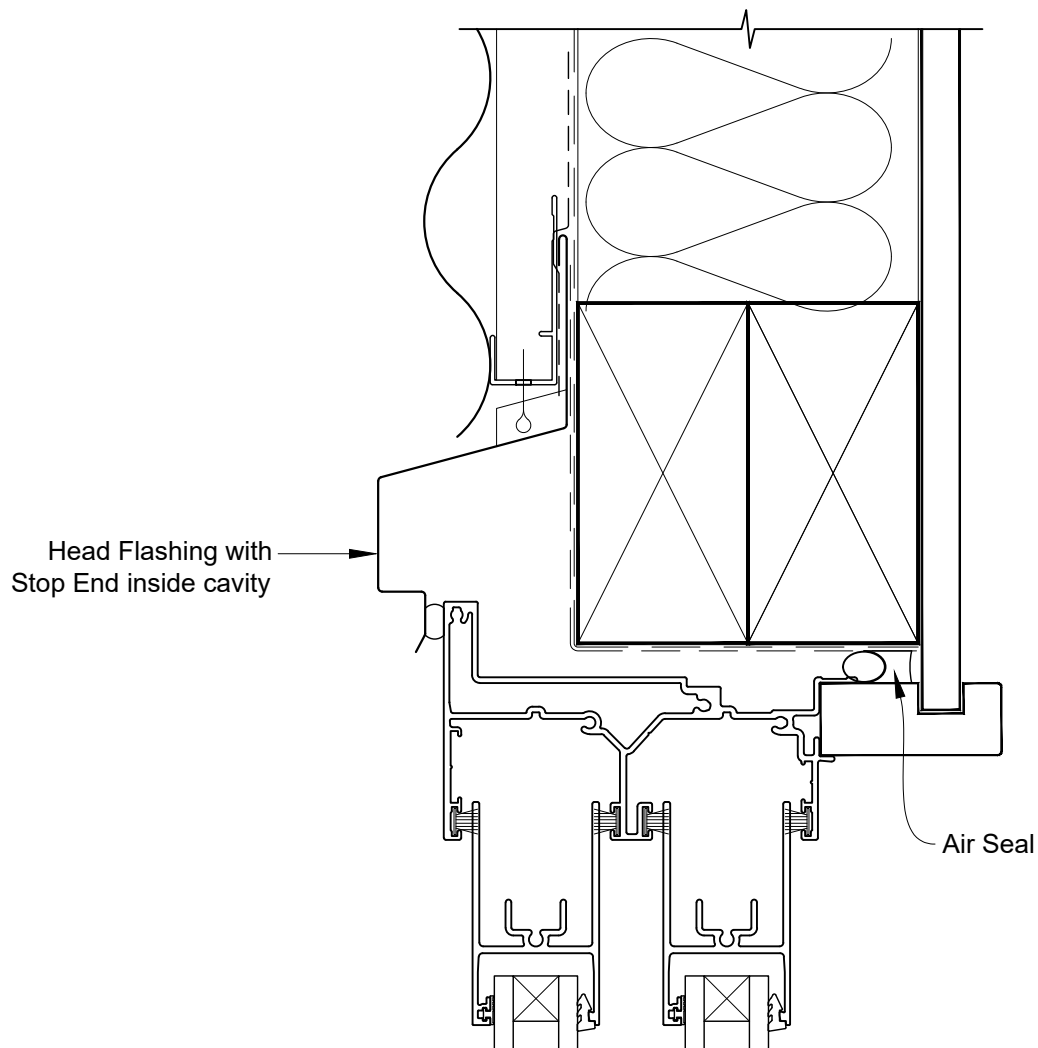


**INSTALLATION DETAIL - FIRST RESIDENTIAL
TWIN SLIDER WINDOW ON PROFILE METAL
CAVITY CONSTRUCTION**

Date: 01.04.19

Scale: 1:2

CAD Ref.: FRTWPM-CSH

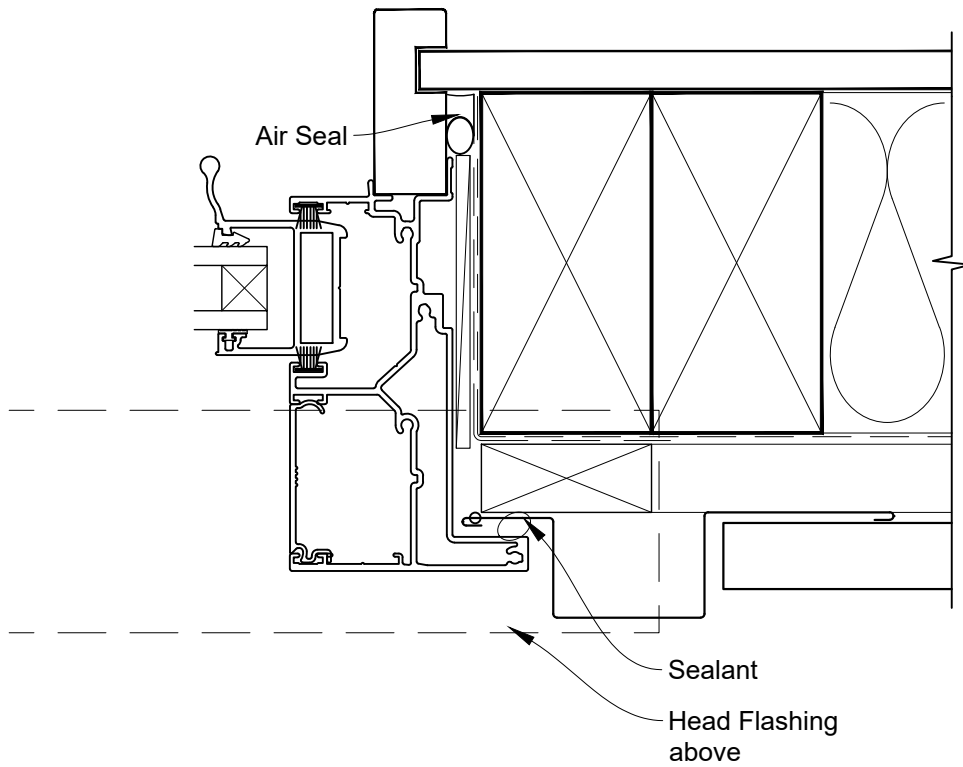


**INSTALLATION DETAIL - FIRST RESIDENTIAL
TWIN SLIDER WINDOW ON PROFILE METAL
CAVITY CONSTRUCTION**

Date: 01.04.19

Scale: 1:2

CAD Ref.: FRTWPM-CSJ

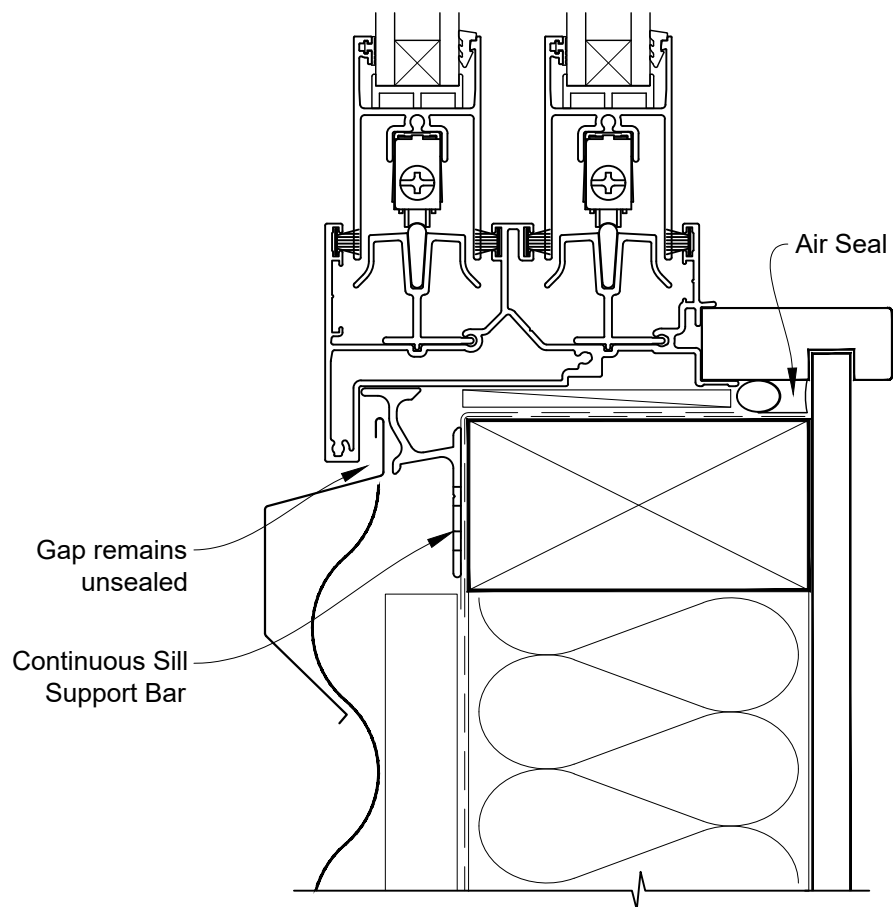


**INSTALLATION DETAIL - FIRST RESIDENTIAL
TWIN SLIDER WINDOW ON PROFILE METAL
CAVITY CONSTRUCTION**

Date: 01.04.19

Scale: 1:2

CAD Ref.: FRTWPM-CSS

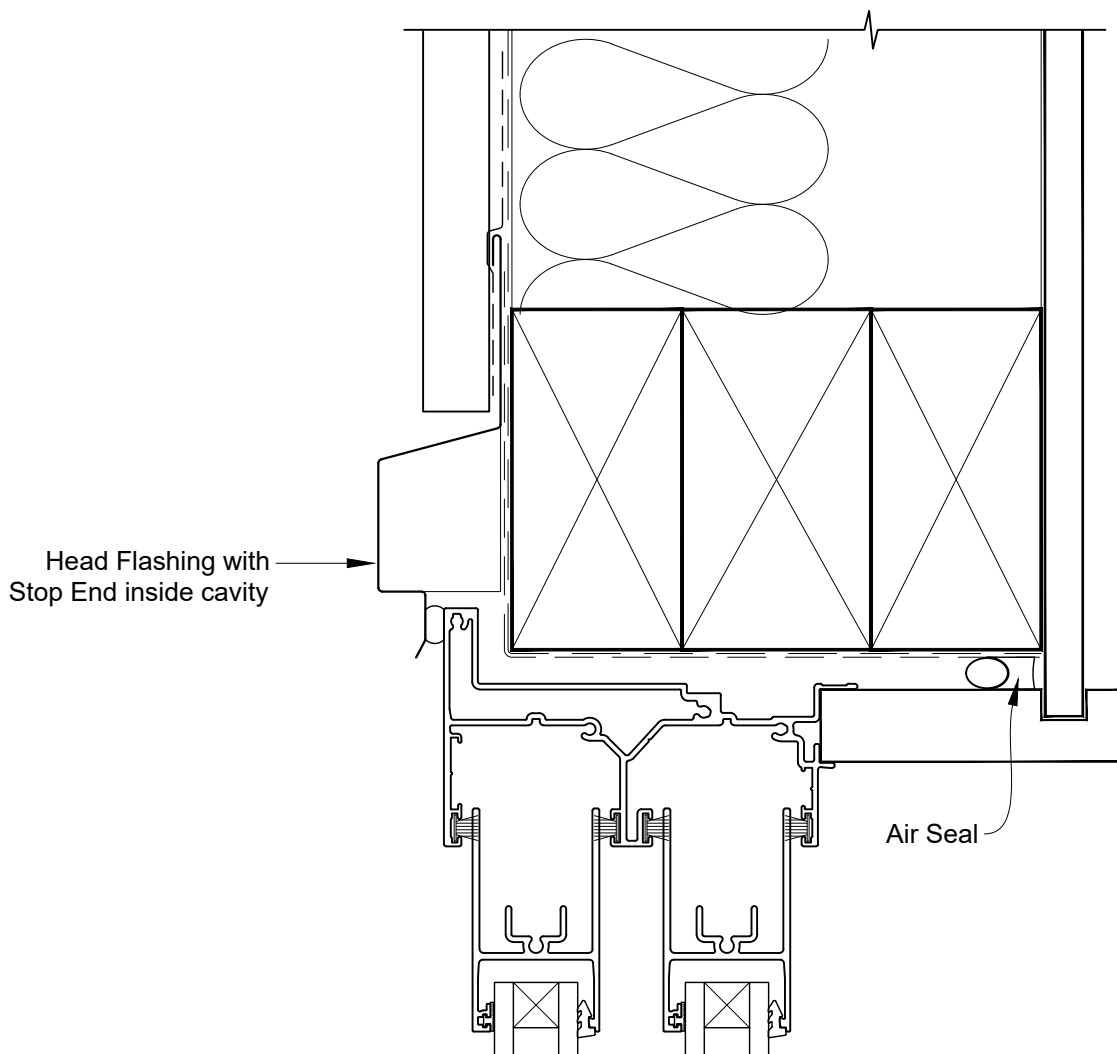


**INSTALLATION DETAIL - FIRST RESIDENTIAL
TWIN SLIDER WINDOW ON PROFILE METAL
DIRECT FIXED CONSTRUCTION**

Date: 01.04.19

Scale: 1:2

CAD Ref.: FRTWPM-DSH

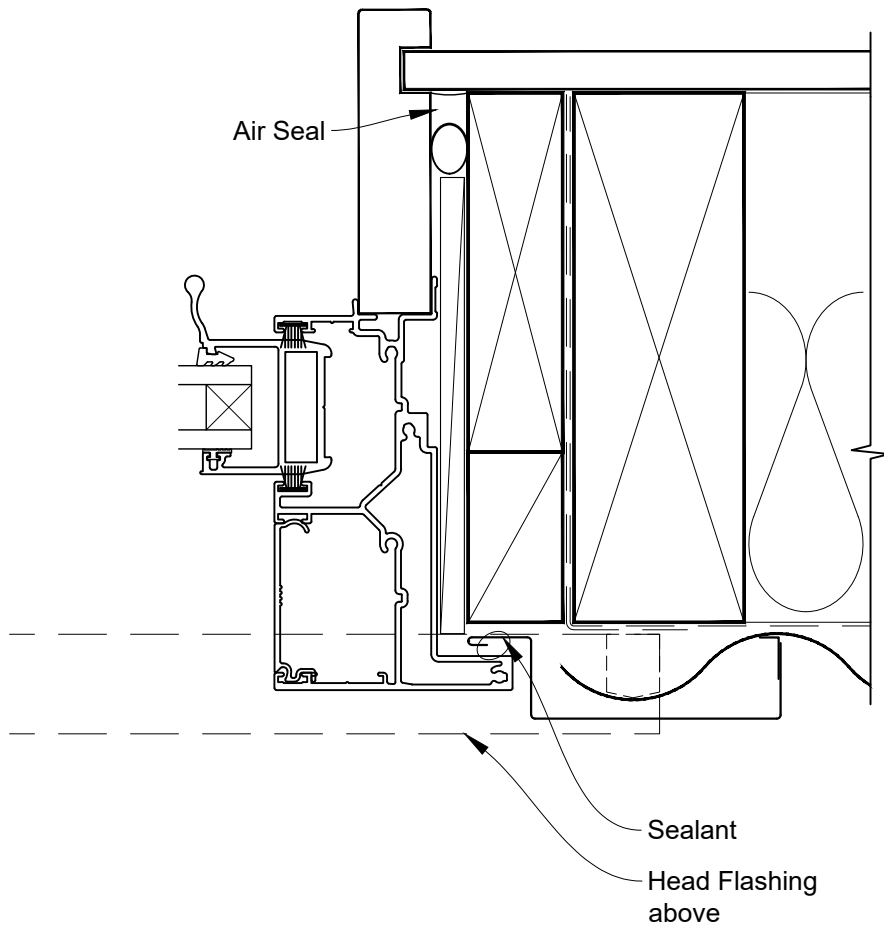


**INSTALLATION DETAIL - FIRST RESIDENTIAL
TWIN SLIDER WINDOW ON PROFILE METAL
DIRECT FIXED CONSTRUCTION**

Date: 01.04.19

Scale: 1:2

CAD Ref.: FRTWPM-DSJ



**INSTALLATION DETAIL - FIRST RESIDENTIAL
TWIN SLIDER WINDOW ON PROFILE METAL
DIRECT FIXED CONSTRUCTION**

Date: 01.04.19

Scale: 1:2

CAD Ref.: FRTWPM-DSS

