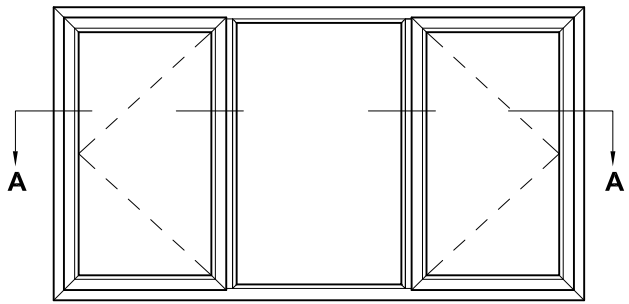
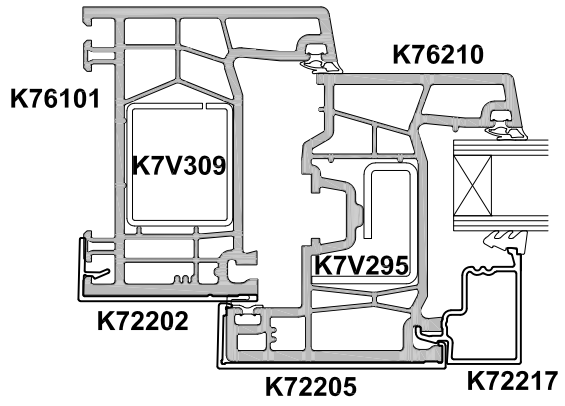


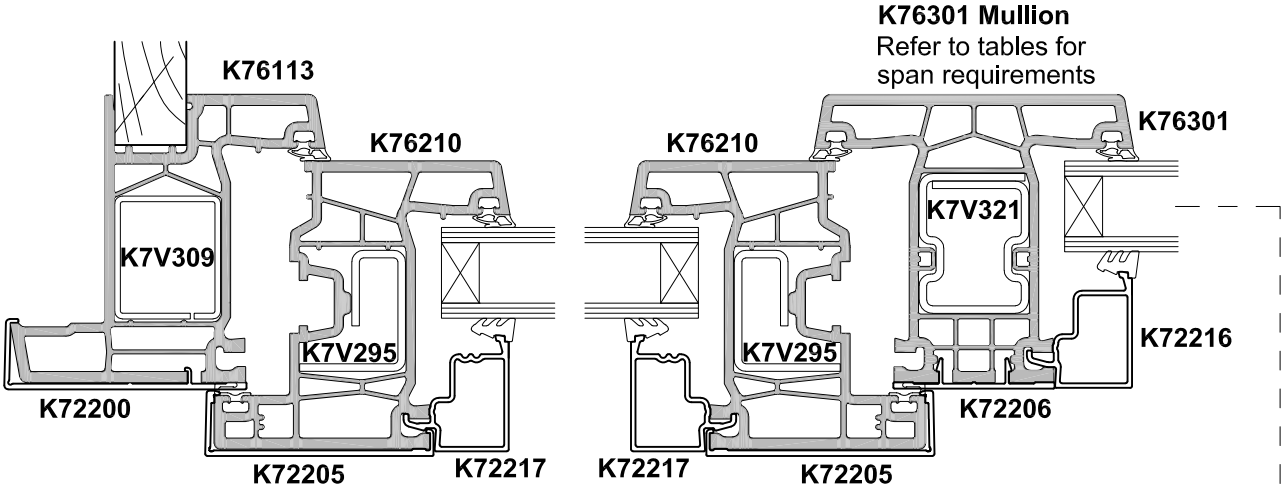
**KLIMA SERIES ALUCLIP, CASEMENT WINDOW  
HORIZONTAL DETAILS, SASH OPEN OUT**

**CROSS SECTION**

Date 01.06.20 Scale 1:2



**CHAIR FRAME OPTION**



**SECTION A-A**

