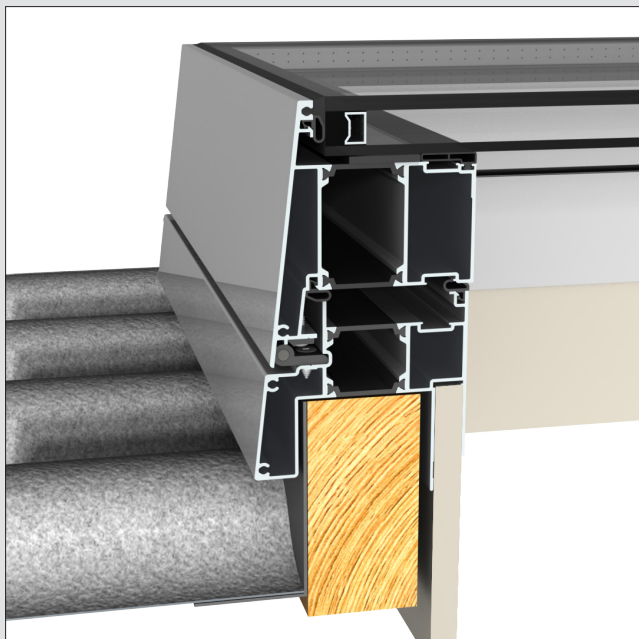


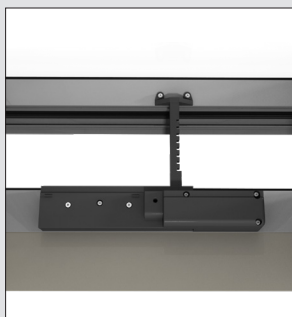
# Roof Window



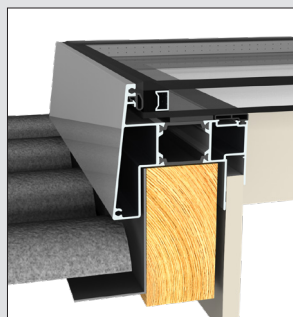
Roof window in closed position – frame and sash above.

## Key Features

- Reduces condensation and retains interior heat and comfort
- Hinged on the upper side to allow opening when required
- Fixed window option available
- Available in a wide range of sizes – can be custom-made to required dimensions
- Polyamide thermal breaks in frame and sash minimise condensation in cold temperatures
- Structural glazed design means flush edges - no ponding of water allows windows to be installed to low pitches (minimum 5°)
- Manual or electric opening options
- Available in dual colour – one colour to match interior schemes and one to match the roof colour
- Fixed windows are capable of being made in large sizes through the inclusion of a mullion.



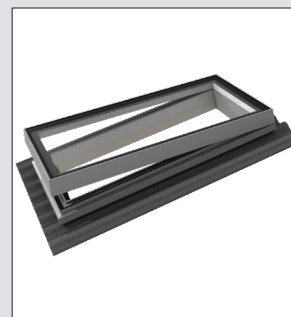
Interior view of window opening gear (electronic version).



ThermalHEART fixed roof window.



Fixed roof window exterior view.



Opening roof window exterior view.

## Specifications

### Dimensions

Opening roof window sizes dependent on roof pitch and operating gear capacity but will generally be less than 2.3m<sup>2</sup>. Fixed roof windows will be capable of bigger sizes and especially through the addition of a mullion

### Maximum Glass Thickness

30mm IGU with Argon gas fill and low-e glass

### Thermal Values

U-value 4.368 R-value 0.229

### Performance

Tested to Very High wind zone

## Design Considerations

- Opening sash has a deep frame overlap, allowing partial opening with some rain protection
- Window operator can be manual or electronic
- A minimum pitch of 5° is required to allow water to run off the glass
- Available in dual colour – one colour to match interior schemes and one to match the roof colour.