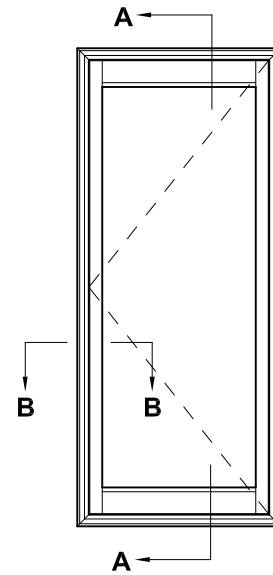
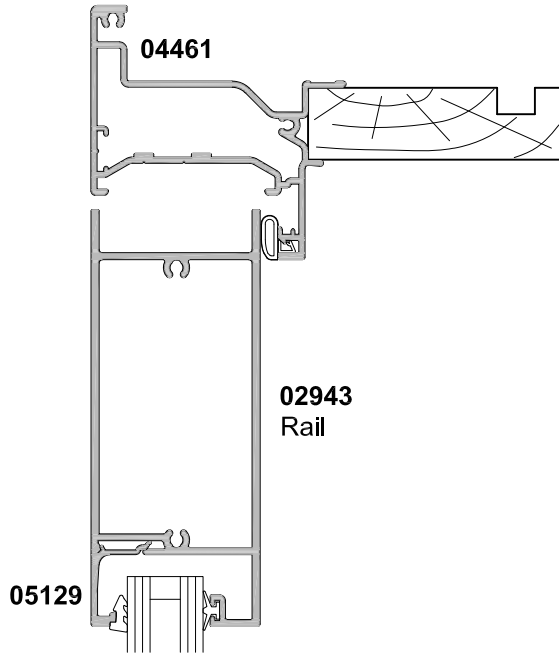
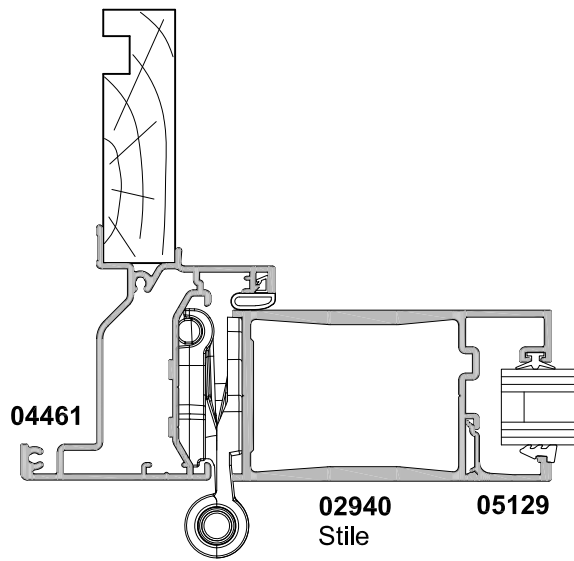
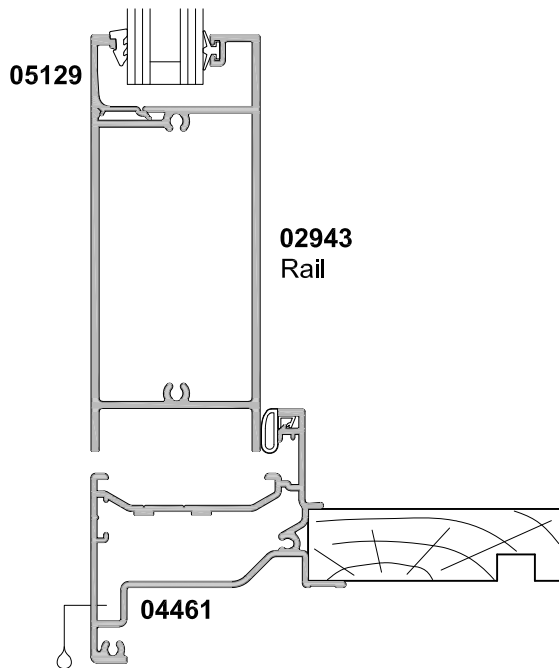


# METRO SERIES, HINGED DOOR OPEN OUT CROSS SECTION

Cad Ref. AMHD02-0    Scale 1:2    Date 01.06.11



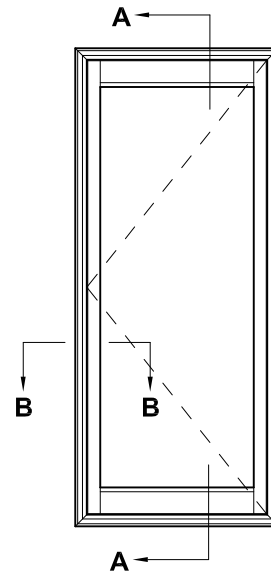
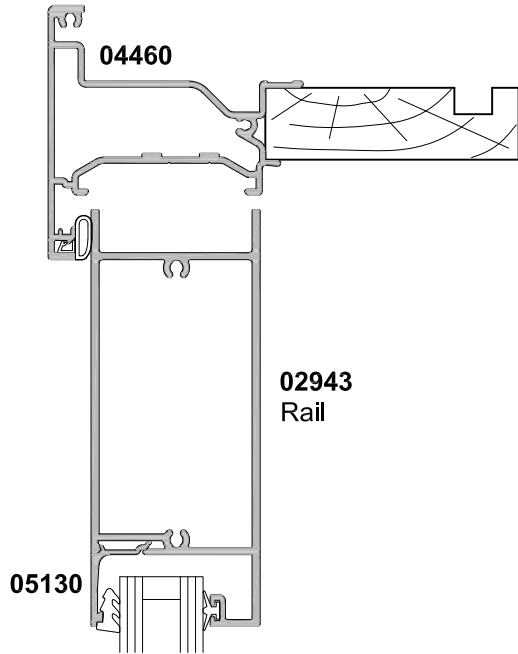
**SECTION A-A**



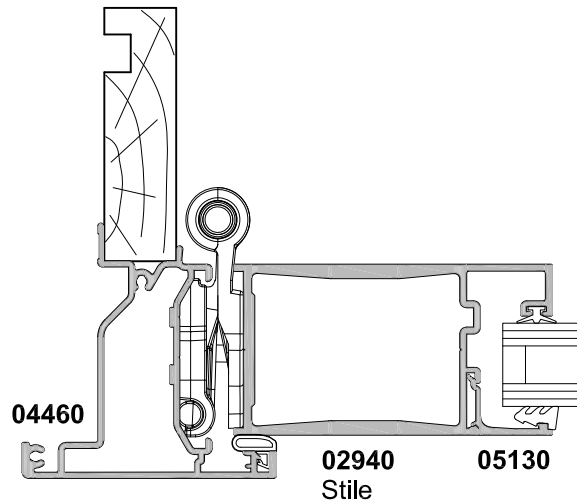
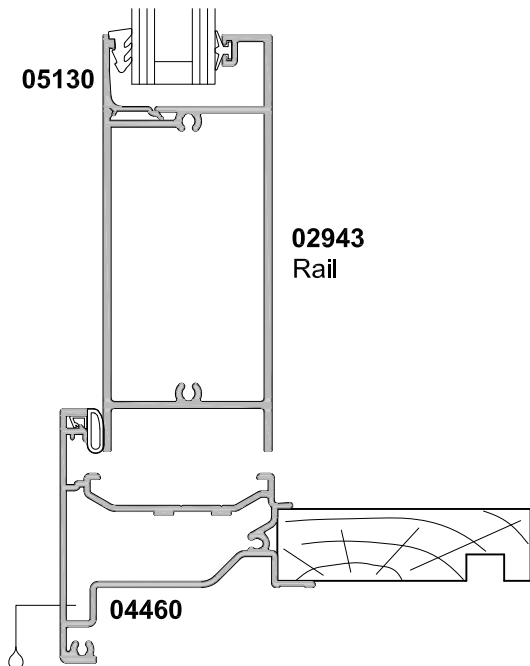
**SECTION B-B**

# METRO SERIES, HINGED DOOR OPEN IN CROSS SECTION

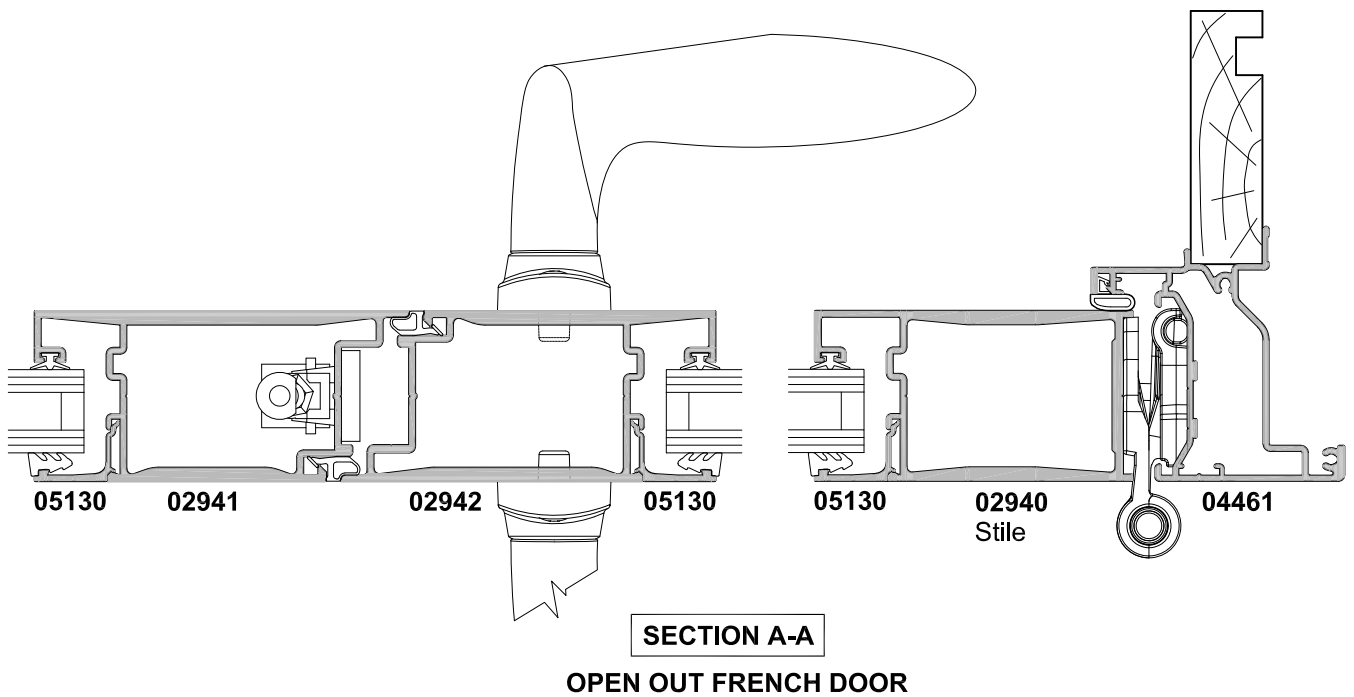
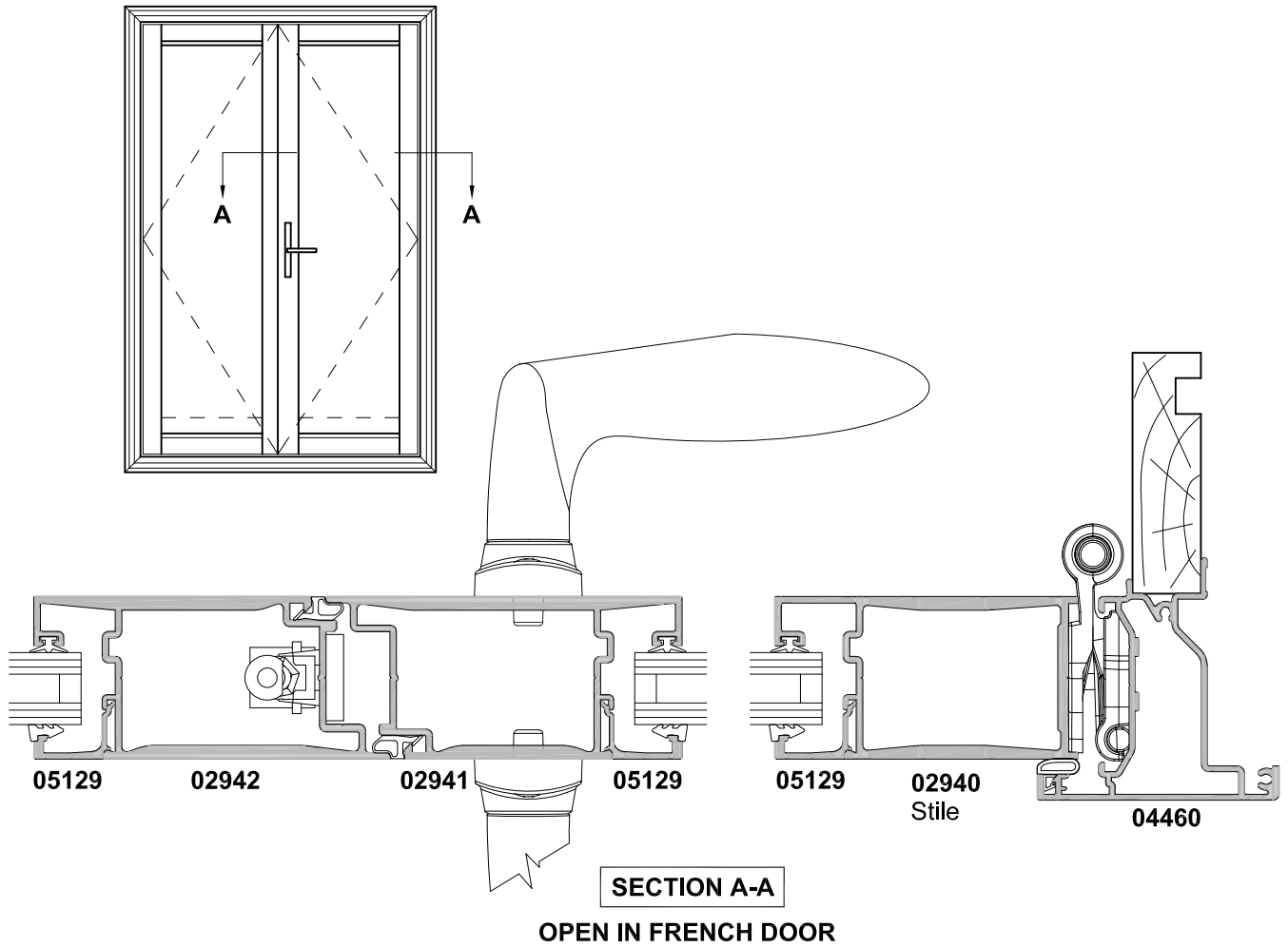
Cad Ref. AMHD03-0 Scale 1:2 Date 01.06.11

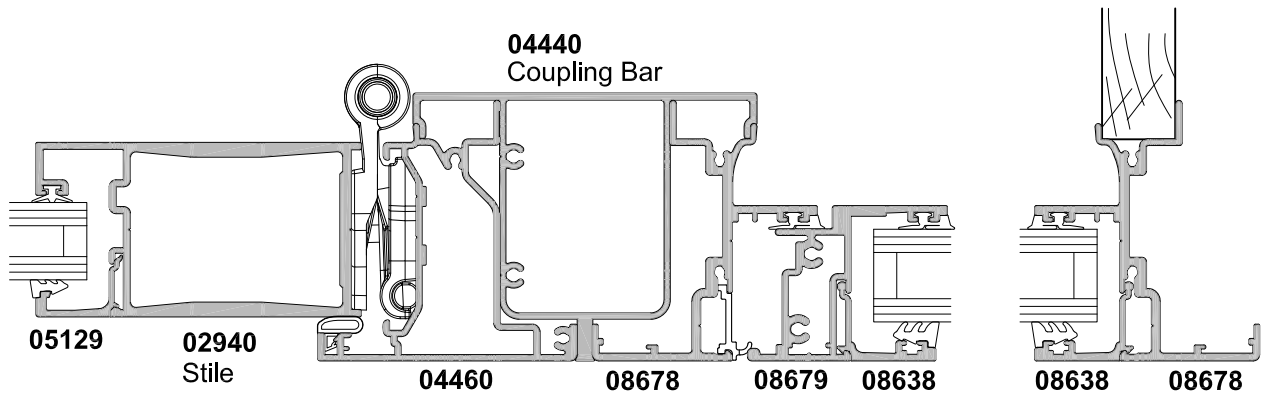
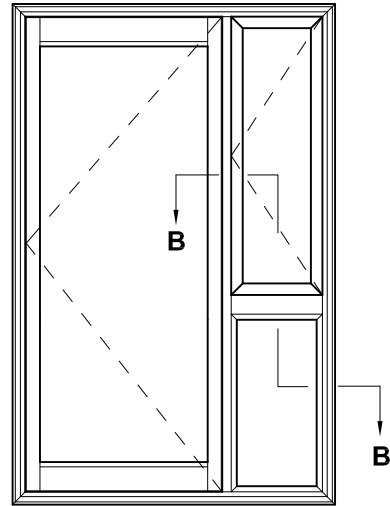
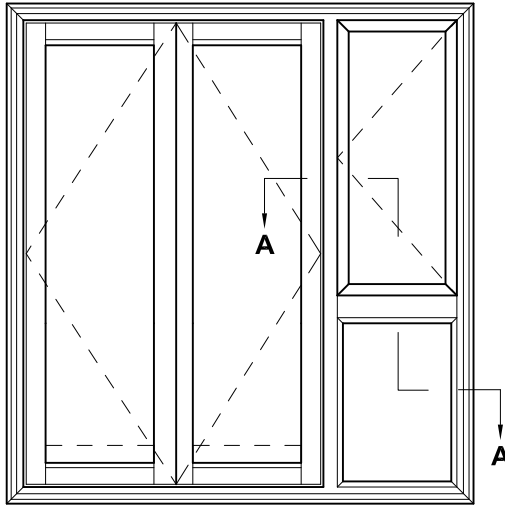


SECTION A-A



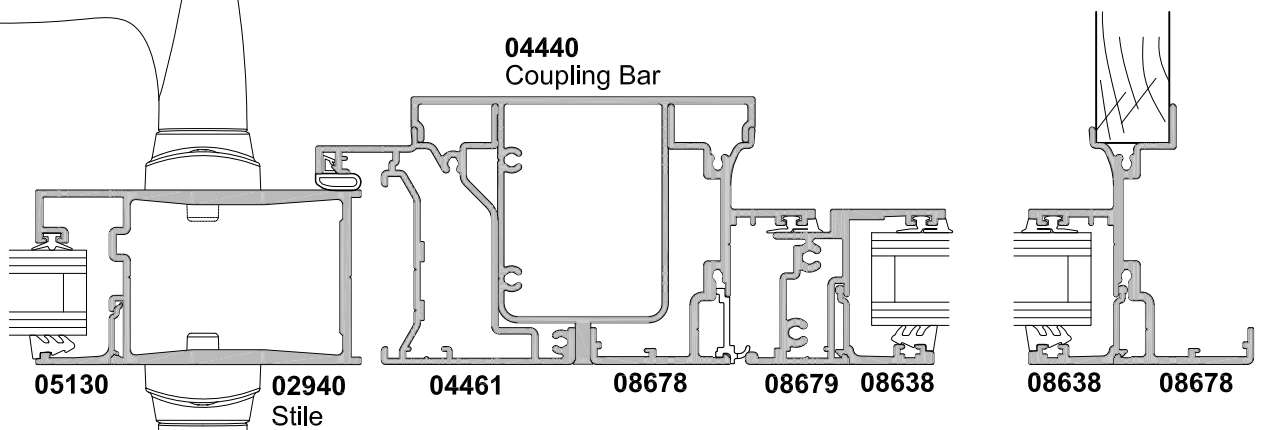
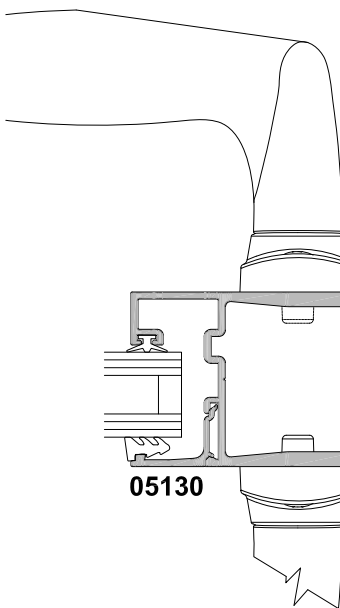
SECTION B-B





**SECTION A-A**

**OPEN IN DOOR**



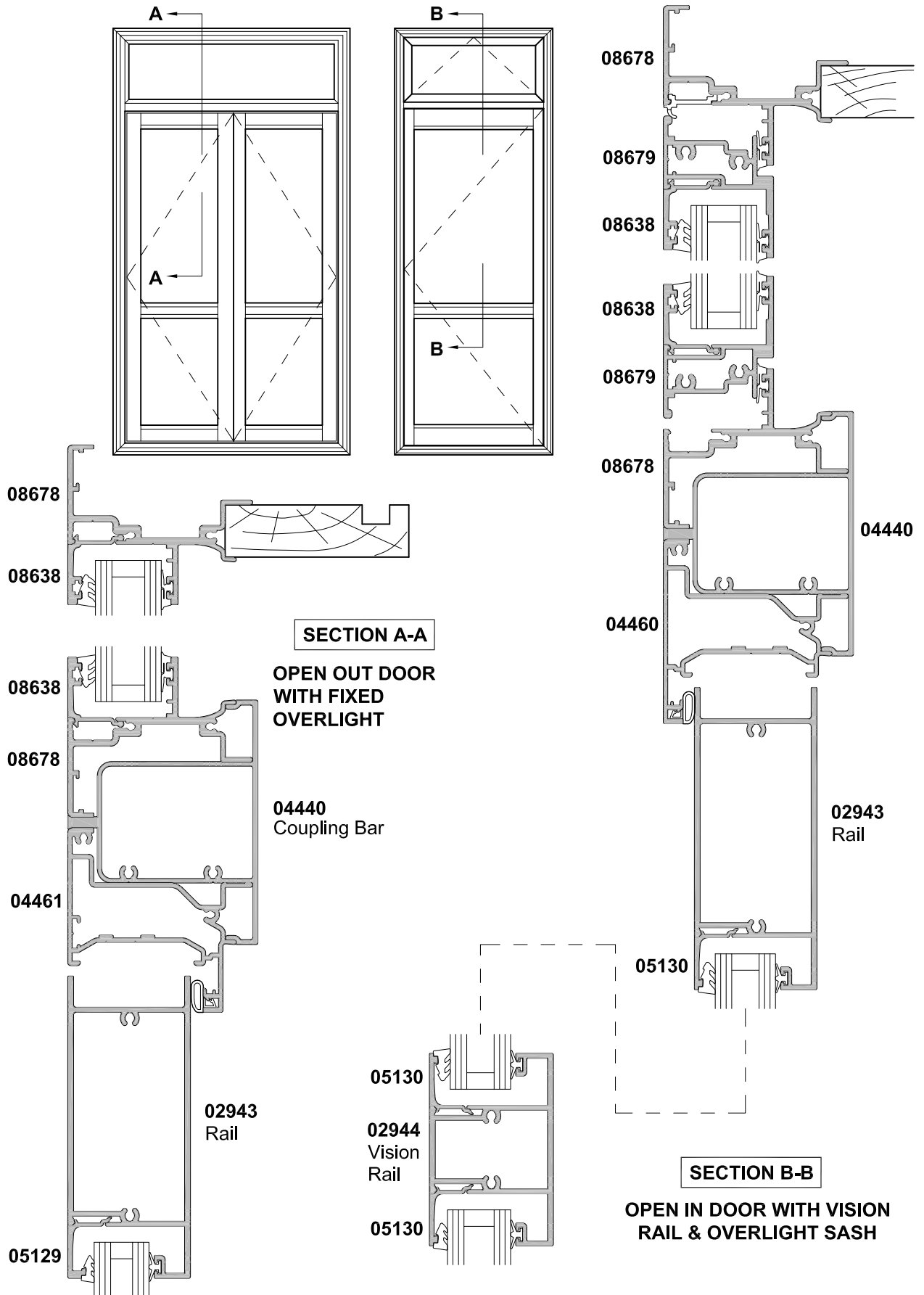
**SECTION B-B**

**OPEN OUT DOOR**

# METRO SERIES, A520MS OPEN IN & A500MS OPEN OUT HINGED DOOR COUPLED OVERLIGHT

## CROSS SECTION

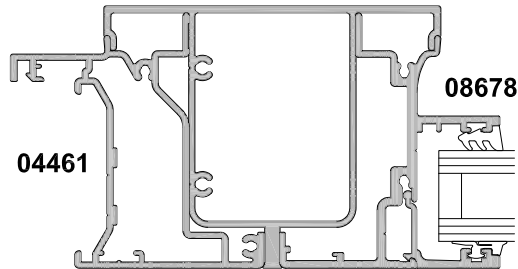
Cad Ref. AMHD06-0 Scale 1:2 Date 01.06.11



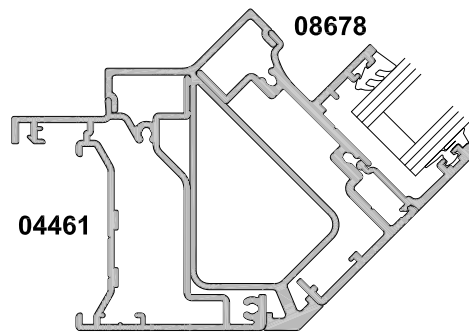
# METRO SERIES, HINGED DOOR COUPLING OPTIONS

## CROSS SECTION

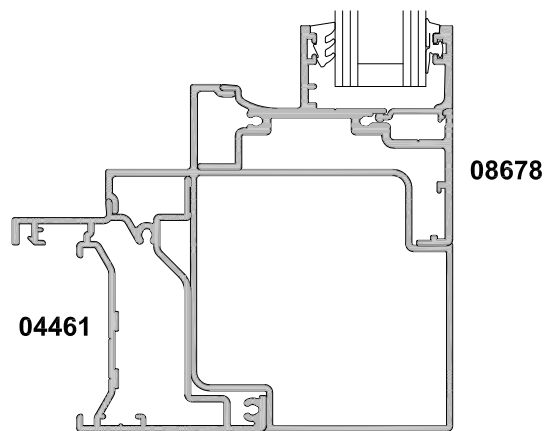
Cad Ref. AMHD07-0    Scale 1:2    Date 01.06.11



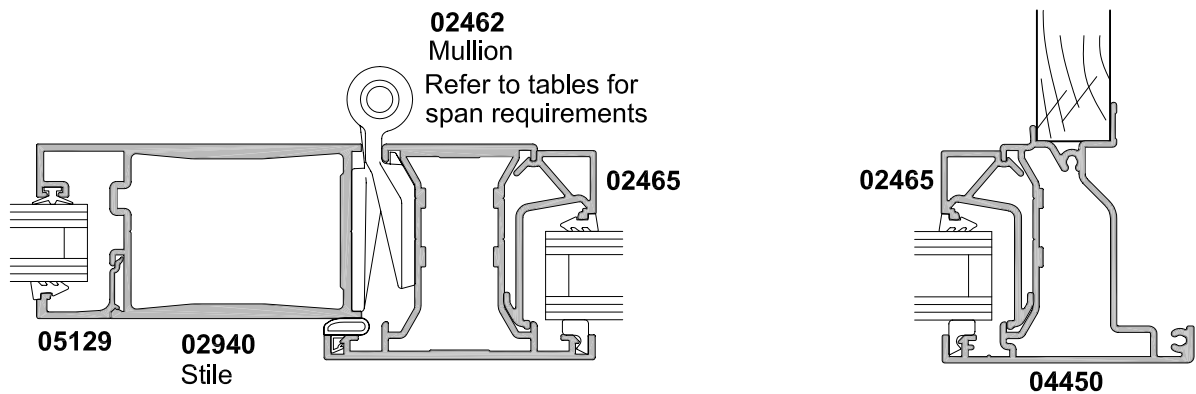
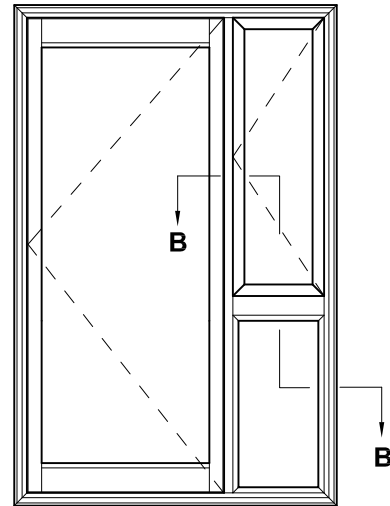
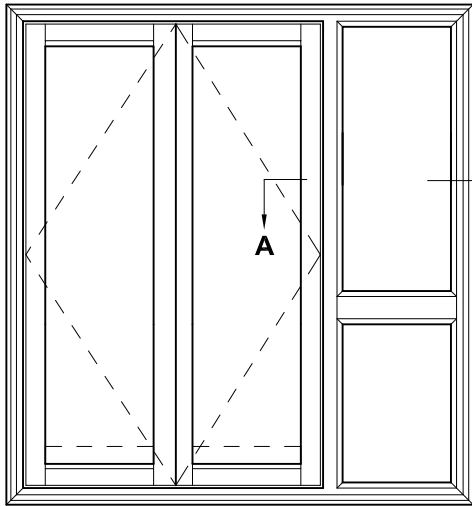
**04440**  
180° COUPLING BAR



**04443**  
135° COUPLING BAR

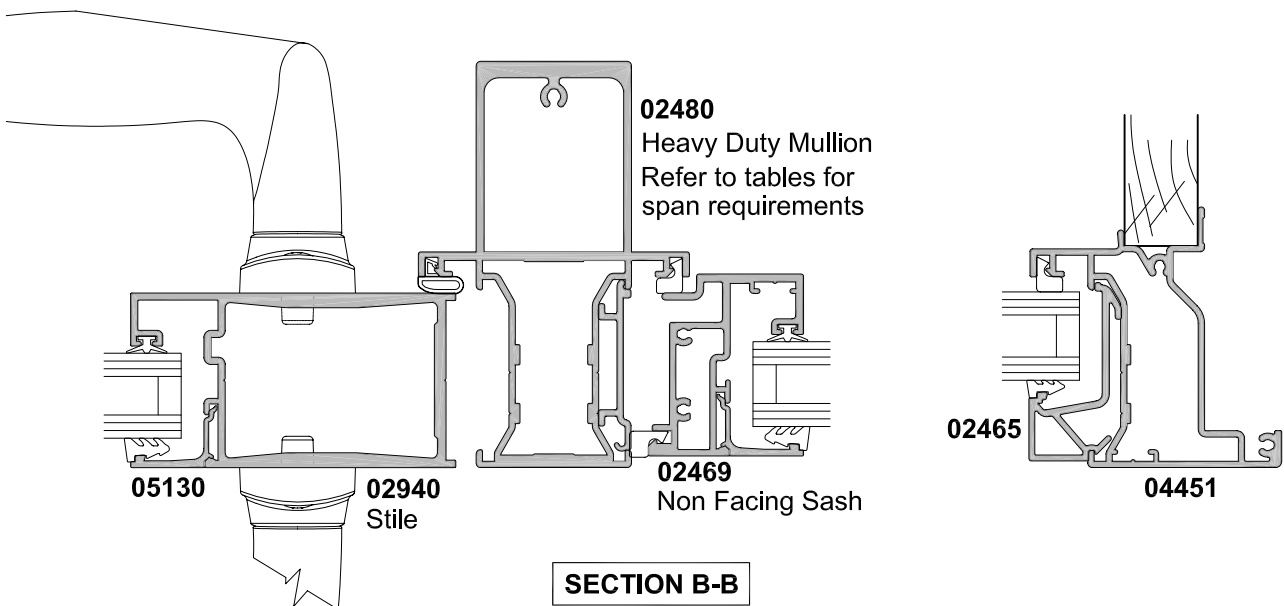


**04444**  
90° COUPLING BAR



**SECTION A-A**

**OPEN IN DOOR**



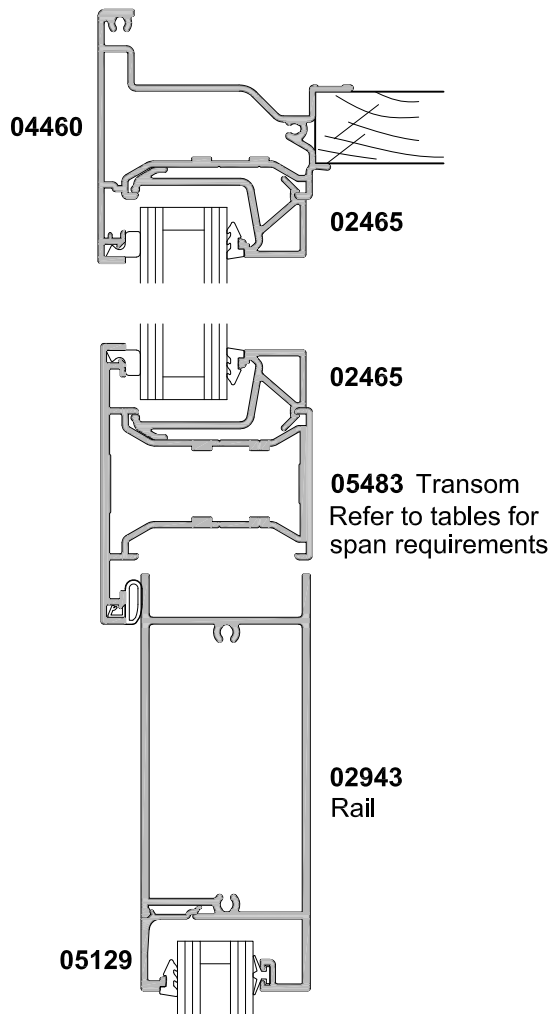
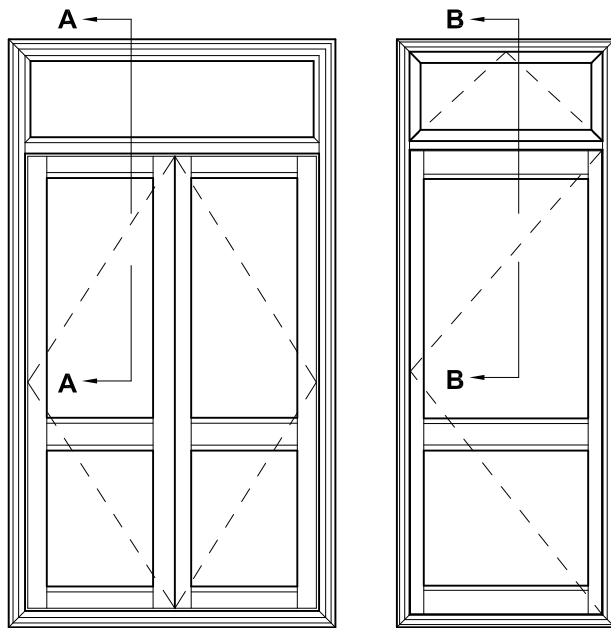
**SECTION B-B**

**OPEN OUT DOOR**

# METRO SERIES, OPEN IN & OPEN OUT HINGED DOOR TRANSOM OVERLIGHT

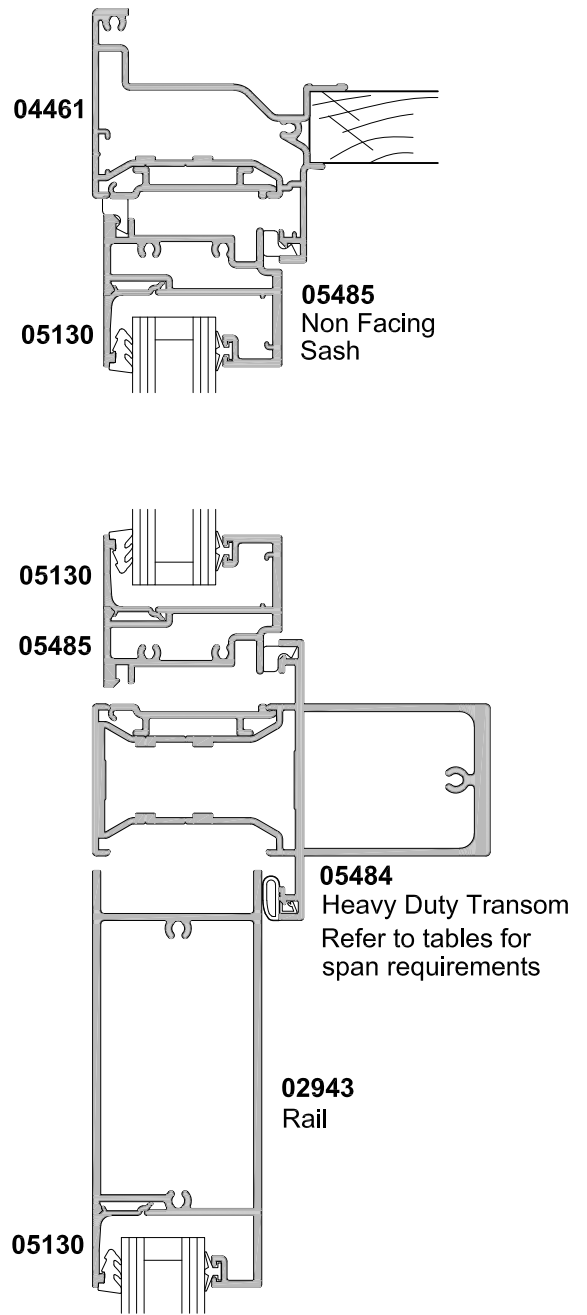
## CROSS SECTION

Cad Ref. AMHD09-0 Scale 1:2 Date 01.11.09



**SECTION A-A**

**DOUBLE GLAZED OPEN IN DOOR**



**SECTION B-B**

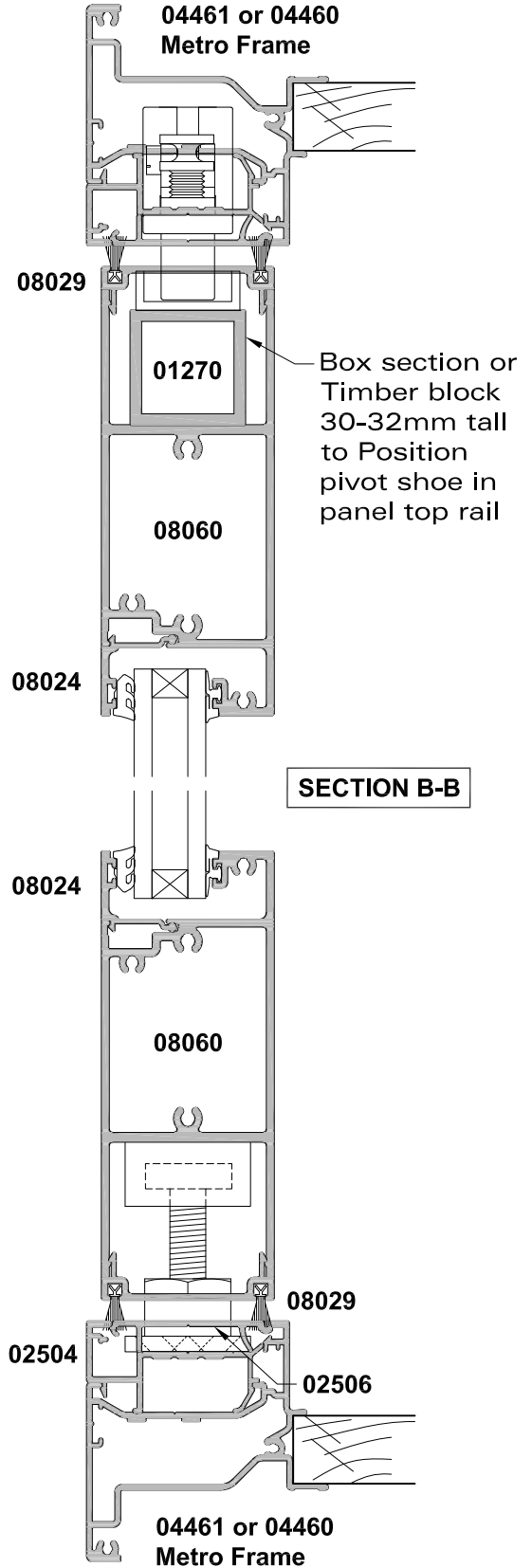
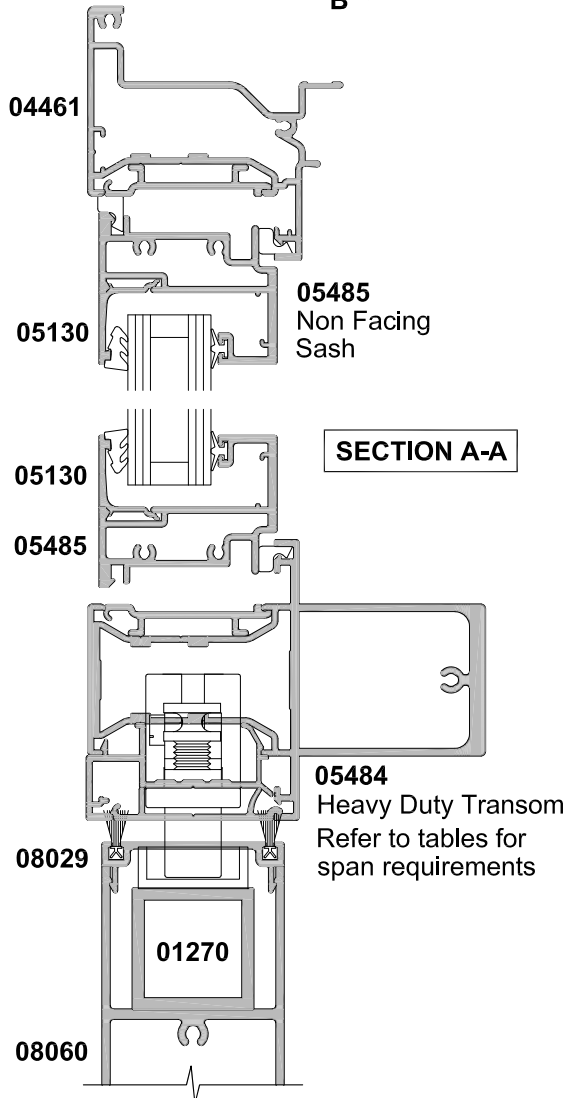
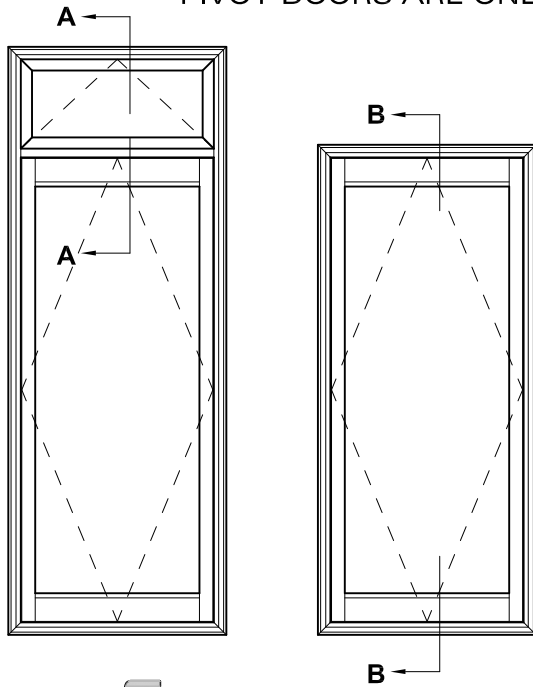
**DOUBLE GLAZED OPEN OUT DOOR**



# METRO SERIES PIVOT DOOR MAGNUM PANEL CROSS SECTION

Cad Ref. AMHD10-0 Scale 1:2 Date 01.11.19

PIVOT DOORS ARE ONLY SUITABLE FOR SHELTERED LOCATIONS



**METRO SERIES**  
**PIVOT DOOR MAGNUM PANEL**  
CROSS SECTION

Cad Ref. AMHD11-0    Scale 1:2    Date 01.11.19

PIVOT DOORS ARE ONLY SUITABLE FOR SHELTERED LOCATIONS

