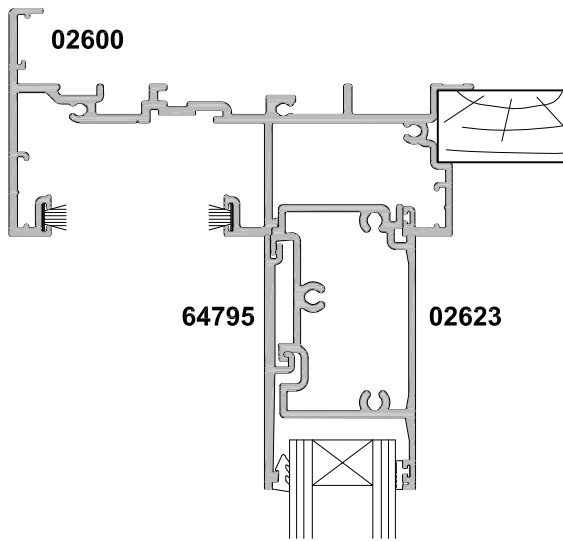
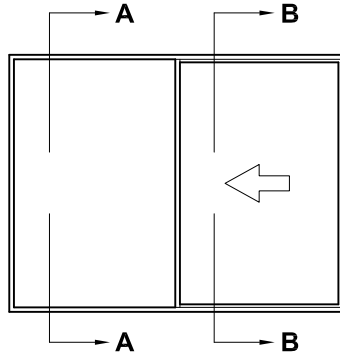
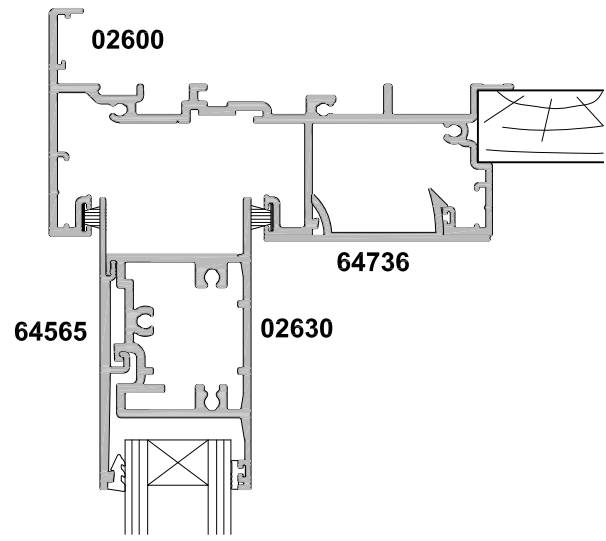


METRO SERIES, SLIDING WINDOW TWO PANEL FS CROSS SECTION

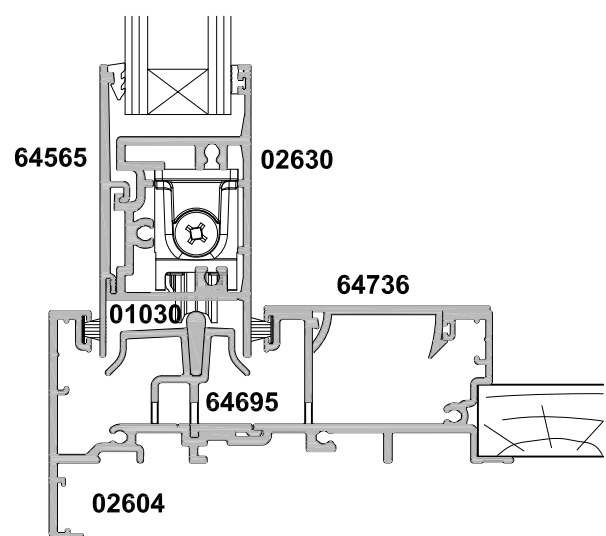
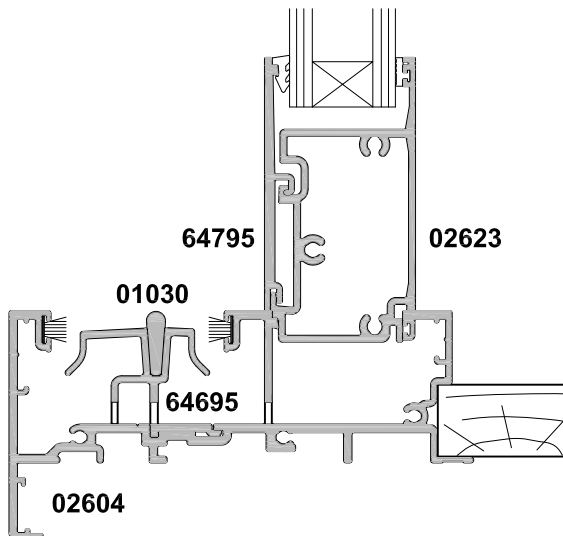
Cad Ref. AMSW02-0 Scale 1:2 Date 15.05.18



SECTION A-A

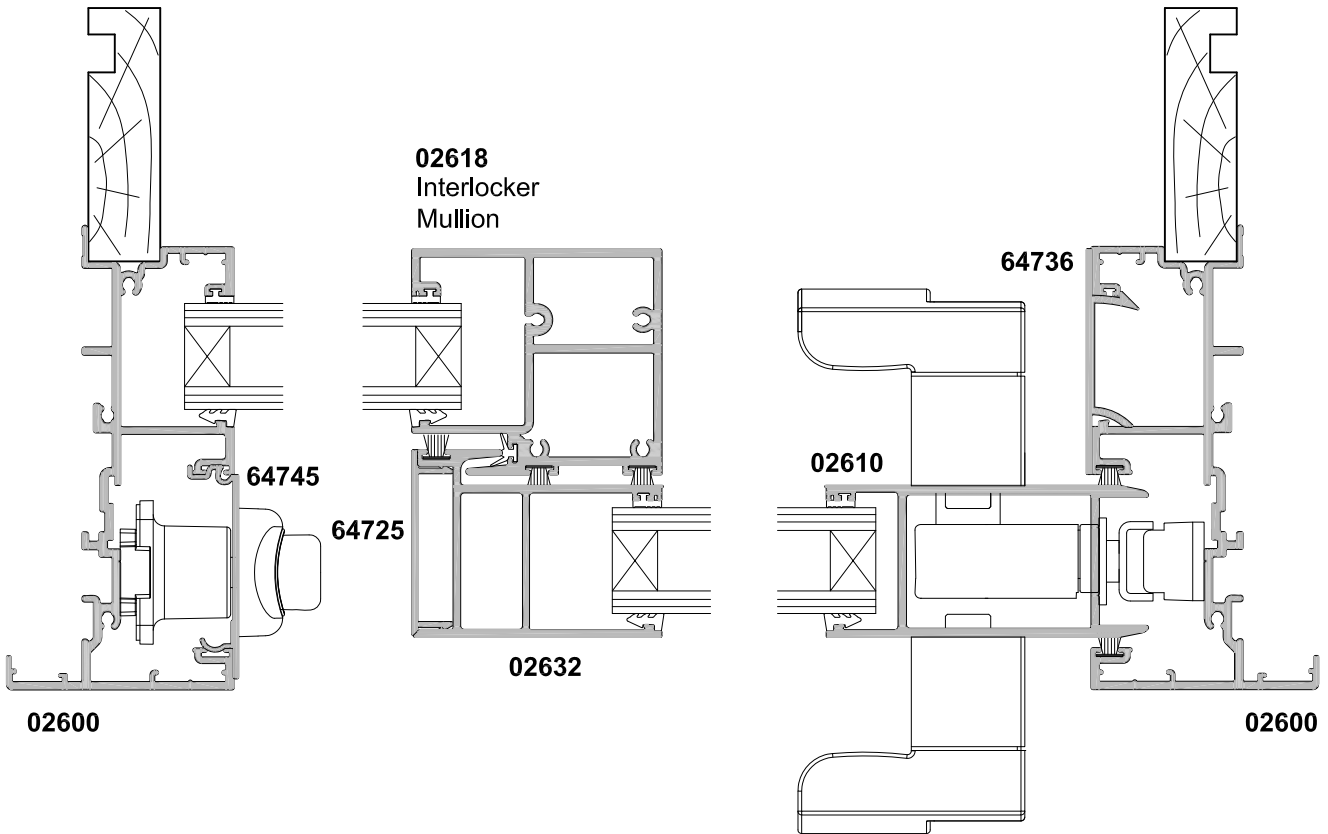
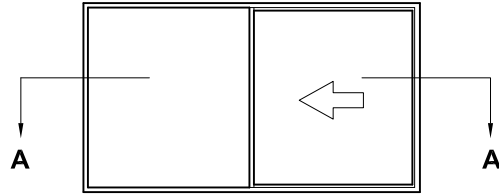


SECTION B-B



METRO SERIES, SLIDING WINDOW
TWO PANEL FS
CROSS SECTION

Cad Ref. AMSW03-0 Scale 1:2 Date 01.07.16

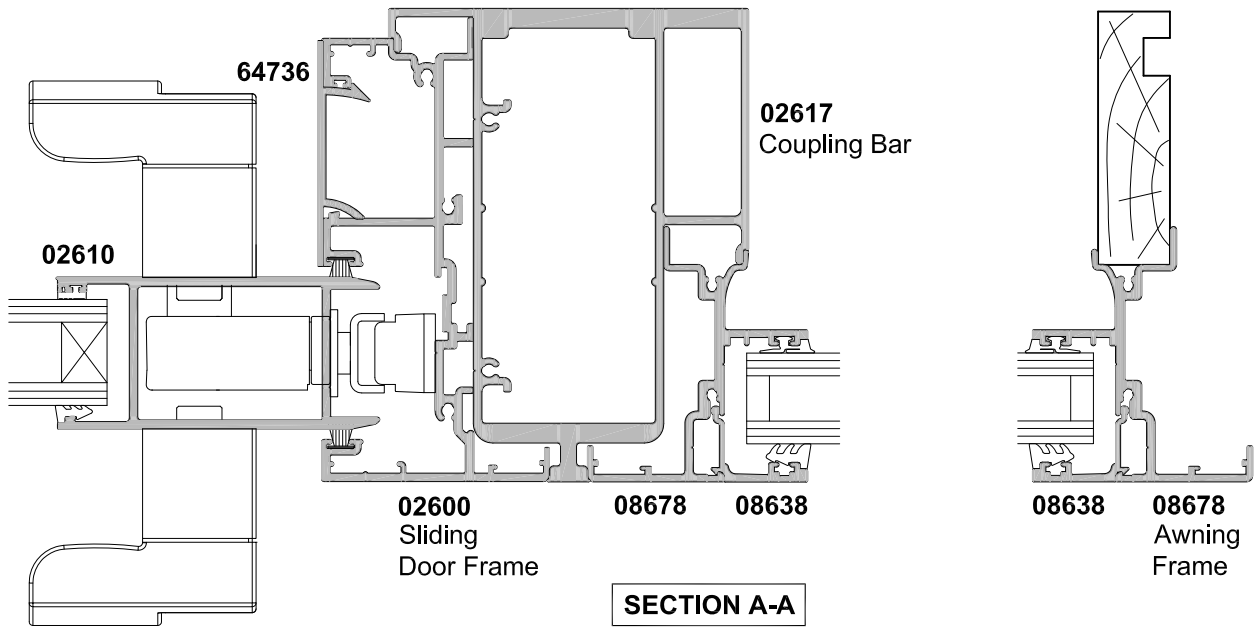
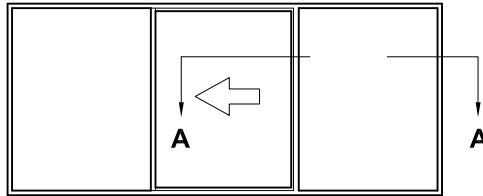


SECTION A-A

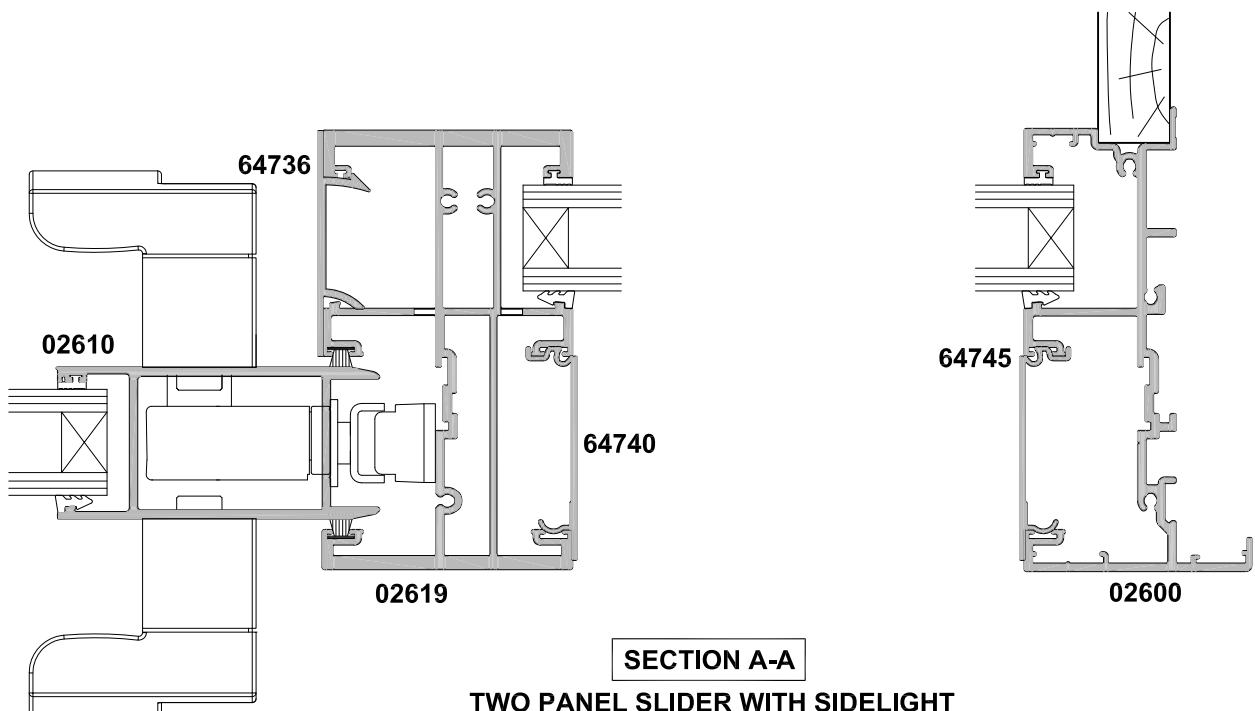
METRO SERIES, SLIDING WINDOW SIDELIGHT OPTIONS

CROSS SECTION

Cad Ref. AMSW04-0 Scale 1:2 Date 15.05.18



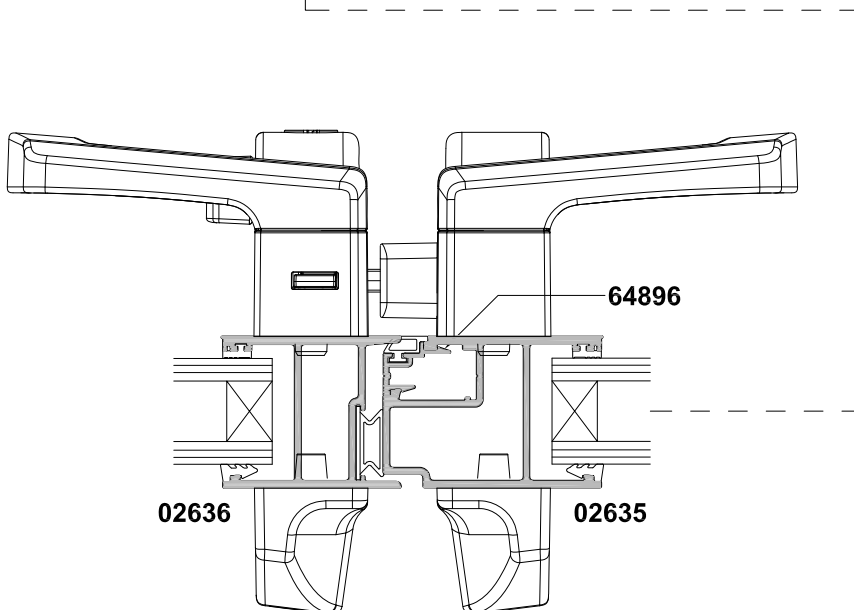
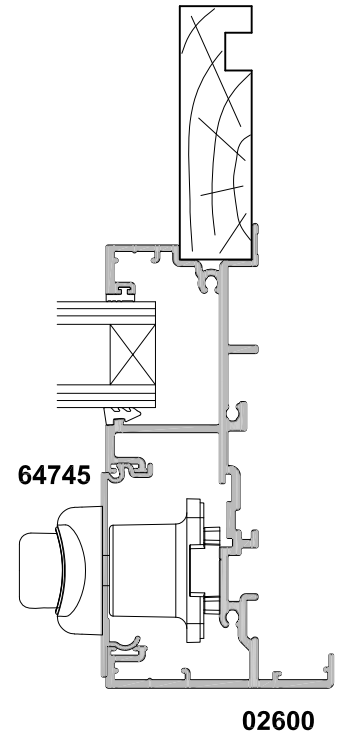
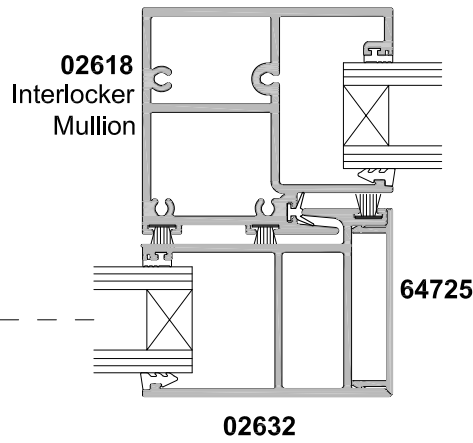
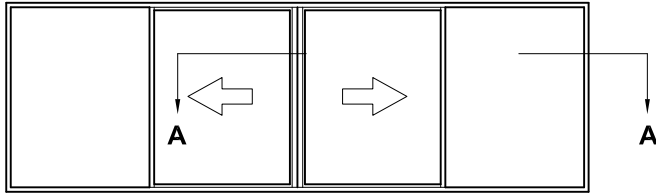
TWO PANEL SLIDER COUPLED TO METRO AWNING



TWO PANEL SLIDER WITH SIDELIGHT

**METRO SERIES, SLIDING WINDOW
FOUR PANEL FSSF
CROSS SECTION**

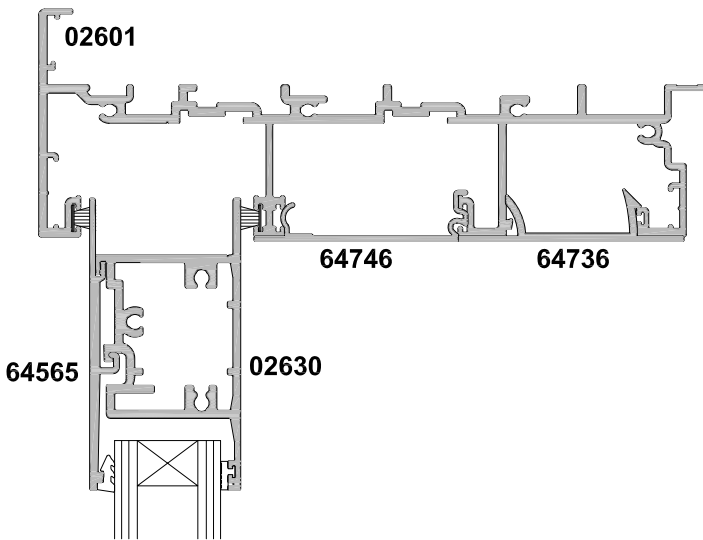
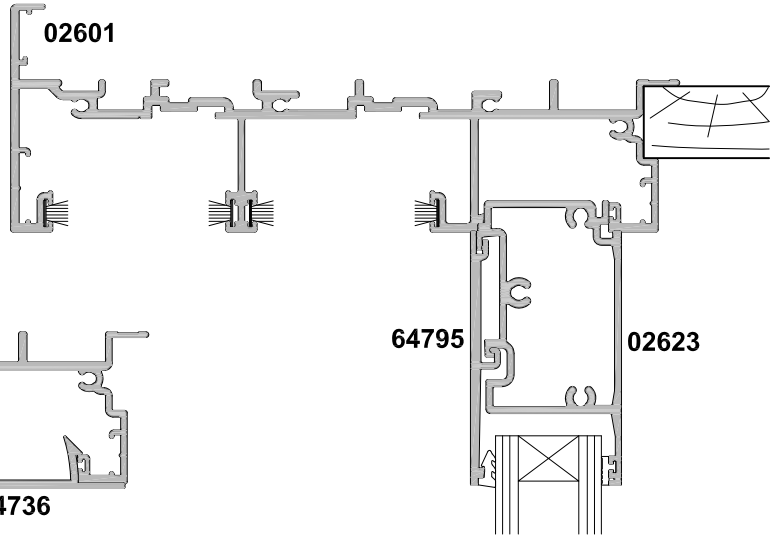
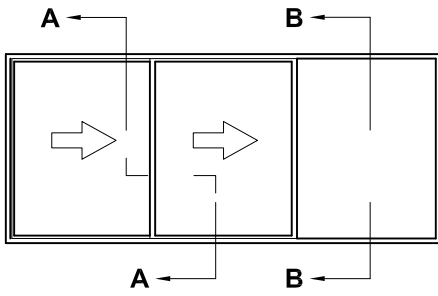
Cad Ref. AMSW05-0 Scale 1:2 Date 01.07.16



SECTION A-A

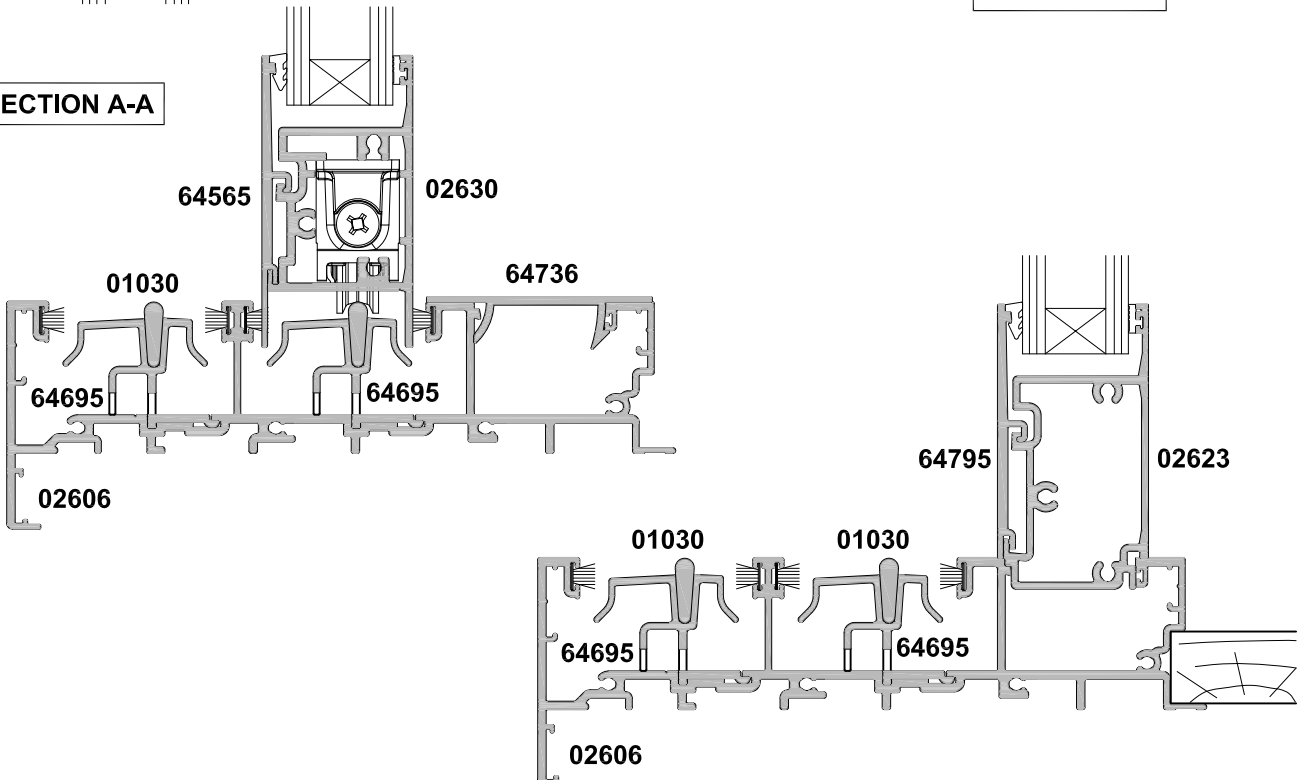
METRO SERIES, SLIDING WINDOW THREE PANEL SSF CROSS SECTION

Cad Ref. AMSW06-0 Scale 1:2 Date 15.05.18



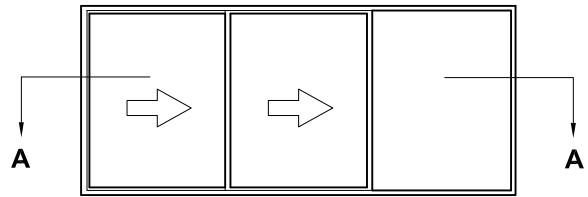
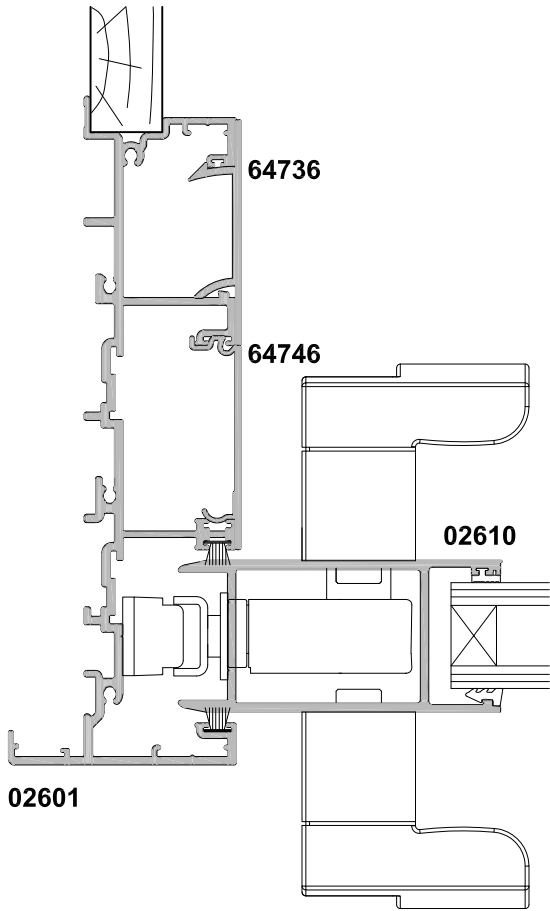
SECTION B-B

SECTION A-A



METRO SERIES, SLIDING WINDOW THREE PANEL SSF CROSS SECTION

Cad Ref. AMSW07-0 Scale 1:2 Date 01.07.16



SECTION A-A

