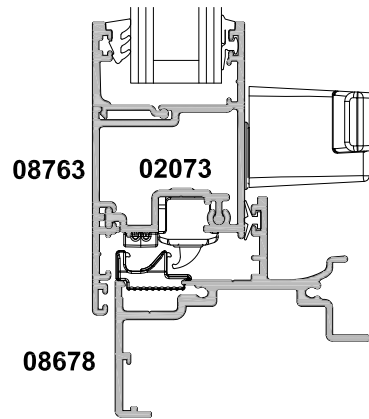
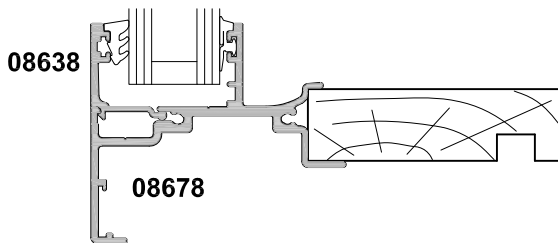
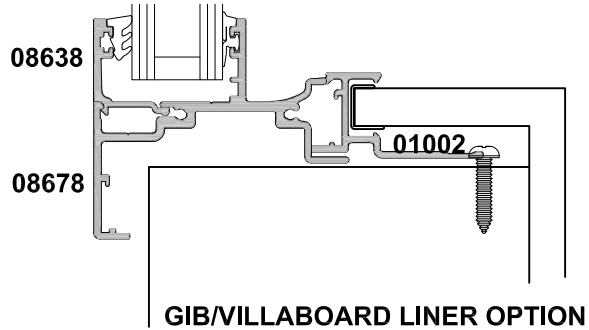
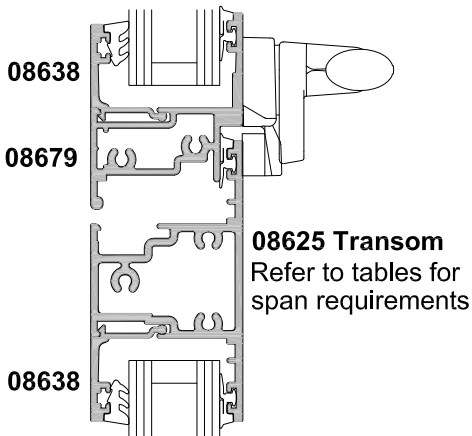
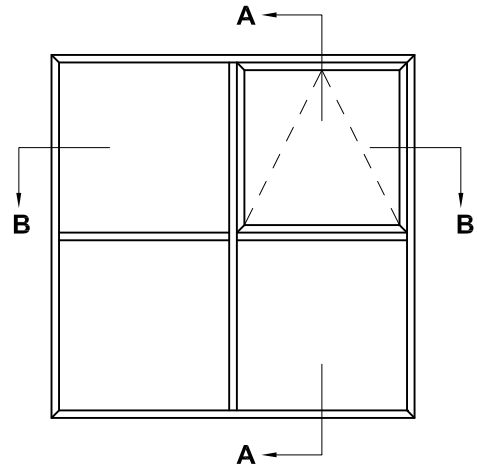
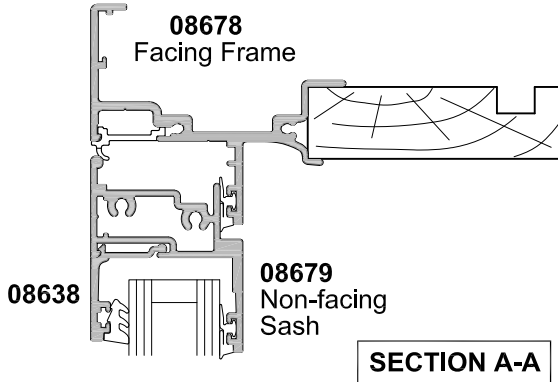


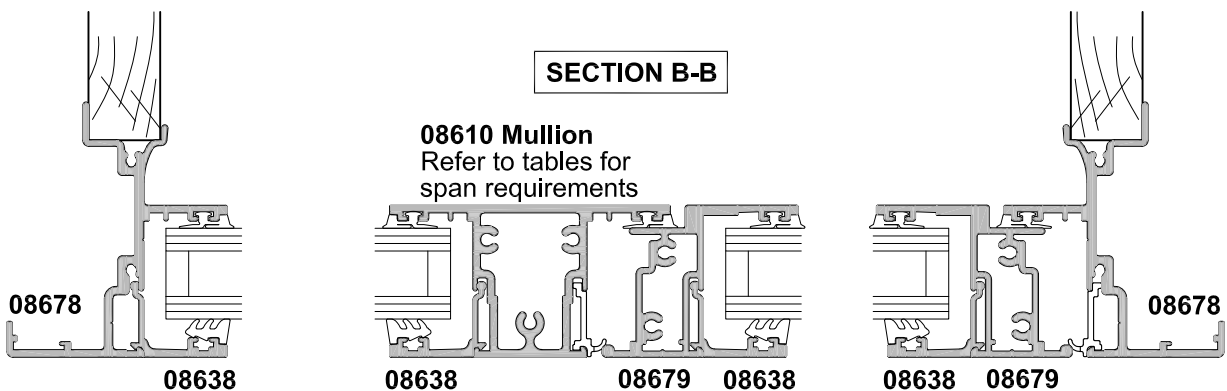
METRO SERIES, AWNING WINDOW ESPAGNOLETTE SASH OPTION

CROSS SECTION

Cad Ref. AMAW01-0 Scale 1:2 Date 01.06.18



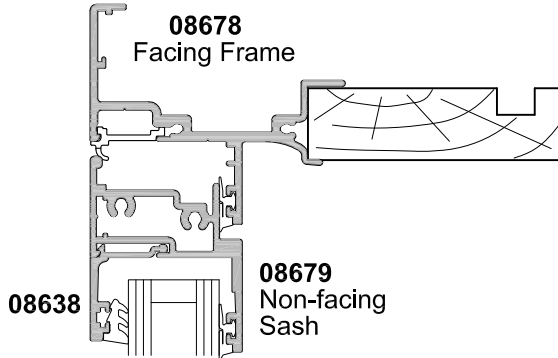
ESPAGNOLETTE SASH OPTION



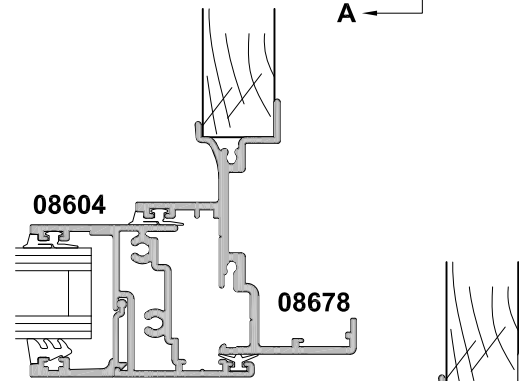
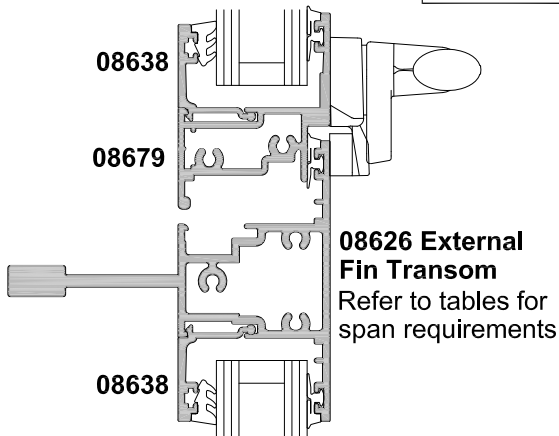
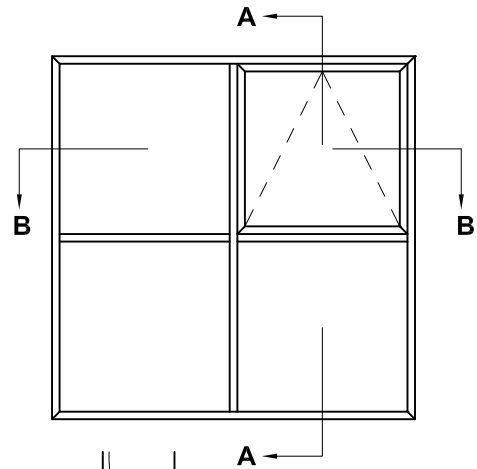
METRO SERIES, A100MS AWNING WINDOW EXTERNAL FIN MULLION / TRANSOM

CROSS SECTION

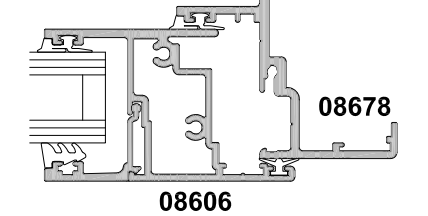
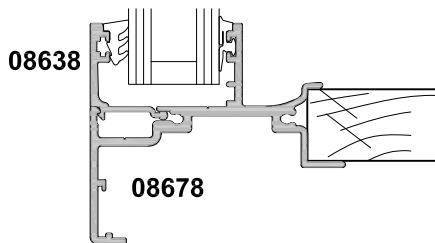
Cad Ref. AMAW02-0 Scale 1:2 Date 01.06.11



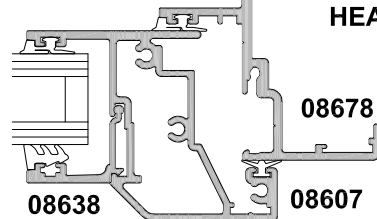
SECTION A-A



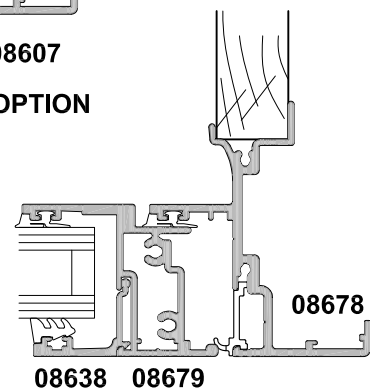
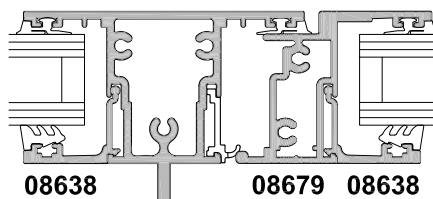
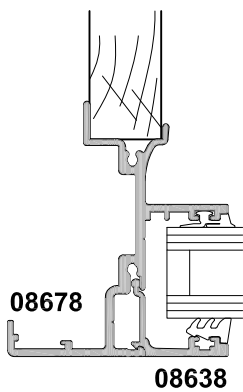
STANDARD BEADED SASH OPTION



HEAVY BEADED SASH OPTION



STEPPED BEADED SASH OPTION



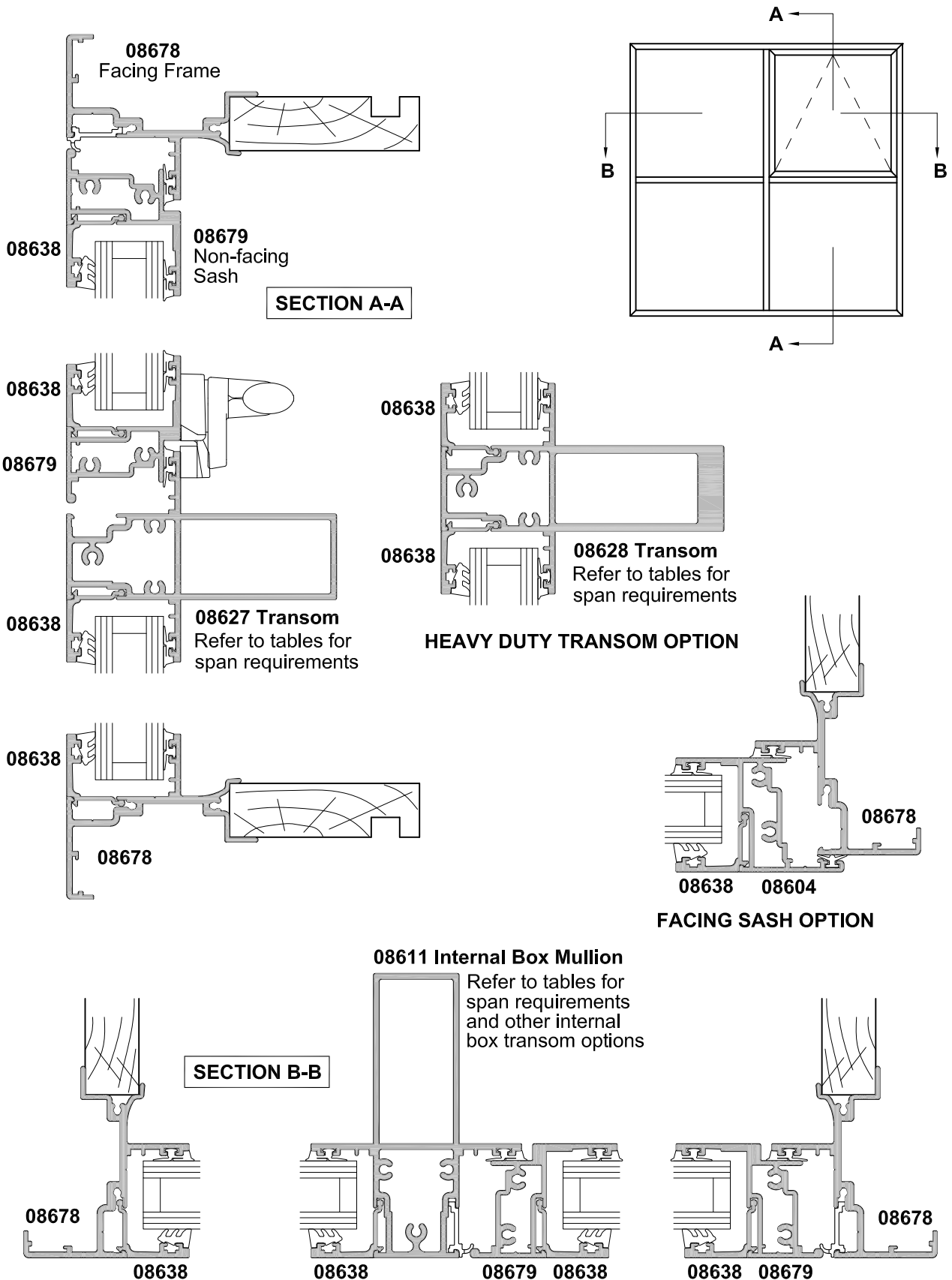
SECTION B-B

08614 External Fin Mullion
Refer to tables for span requirements

METRO SERIES, A100MS AWNING WINDOW INTERNAL BOX MULLION / TRANSOM

CROSS SECTION

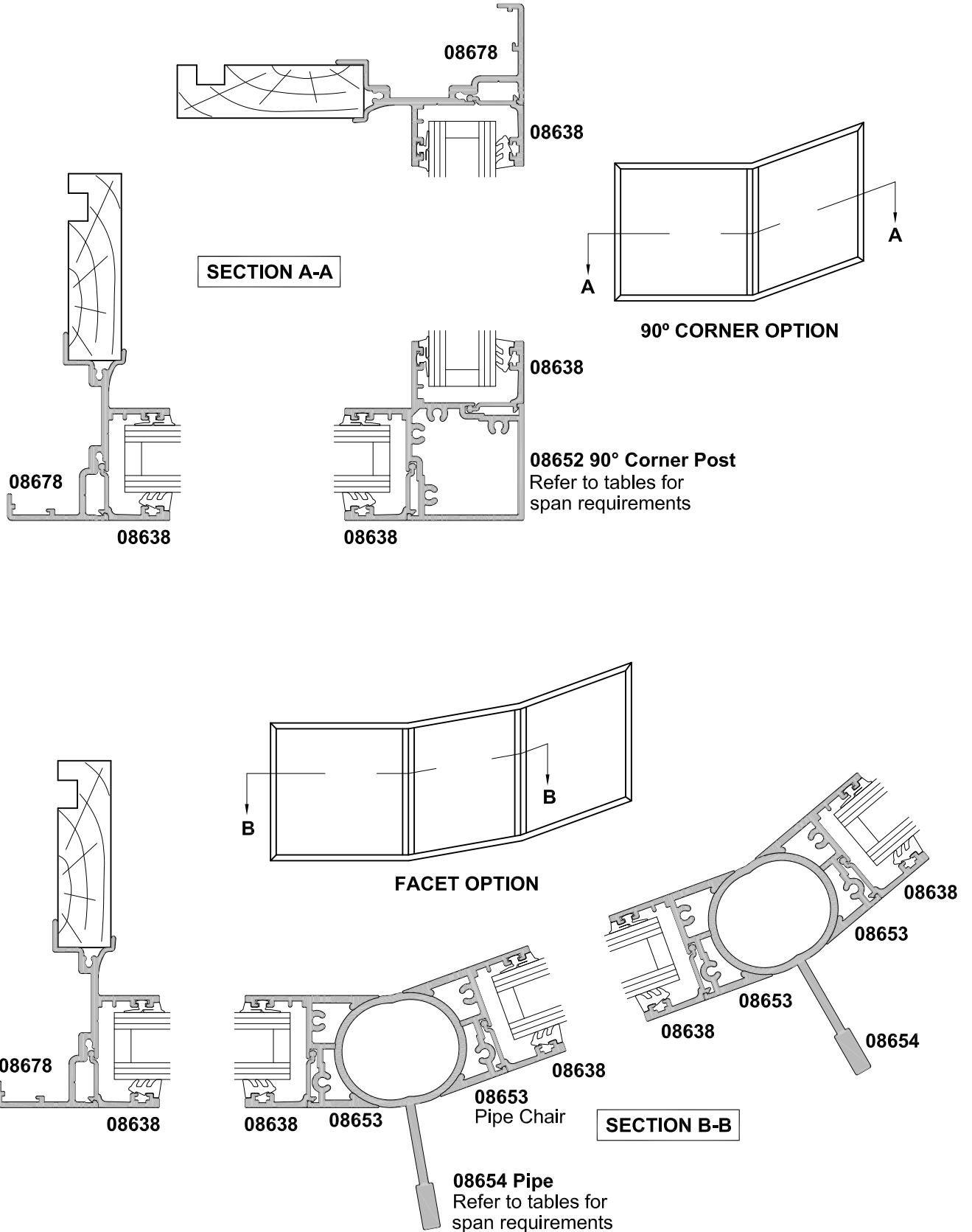
Cad Ref. AMAW03-0 Scale 1:2 Date 01.06.11



METRO SERIES, A100MS AWNING WINDOW 90° CORNER WINDOW, FACET WINDOW

CROSS SECTION

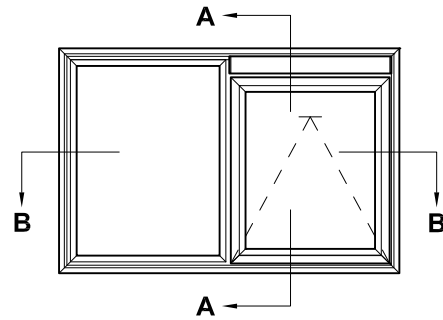
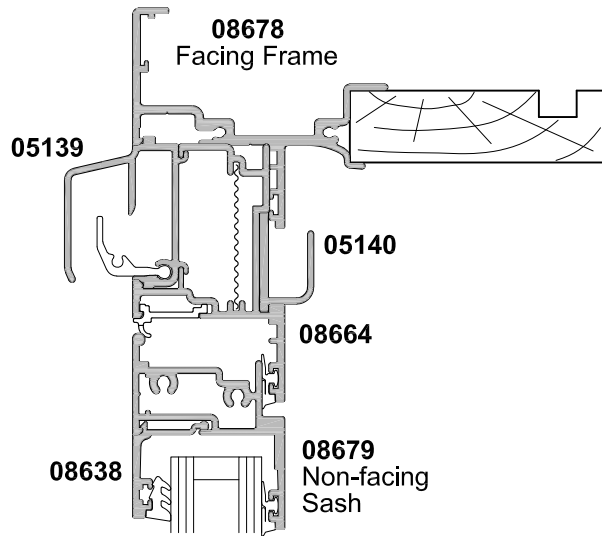
Cad Ref. AMAW04-0 Scale 1:2 Date 01.06.11



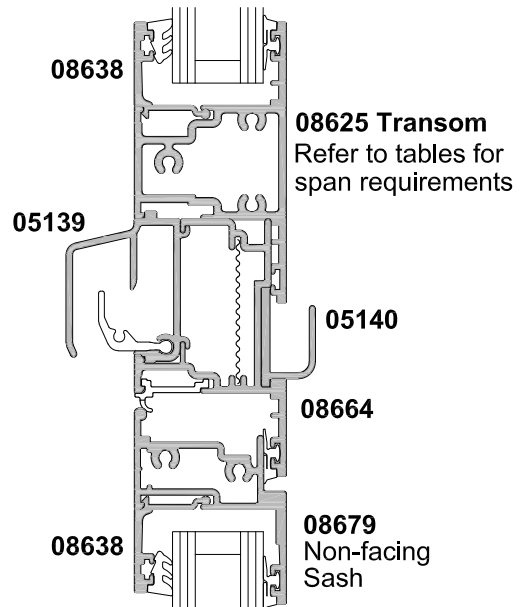
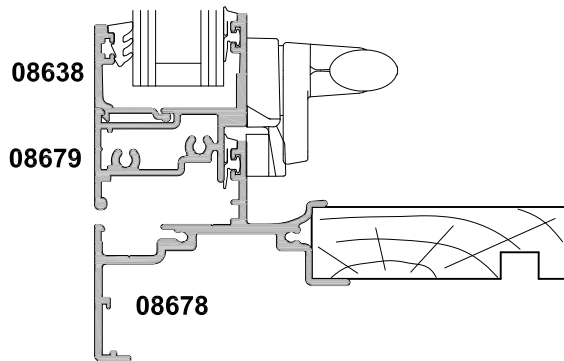
METRO SERIES, AWNING WINDOW VENTED SASH AND AEROVENT

CROSS SECTION

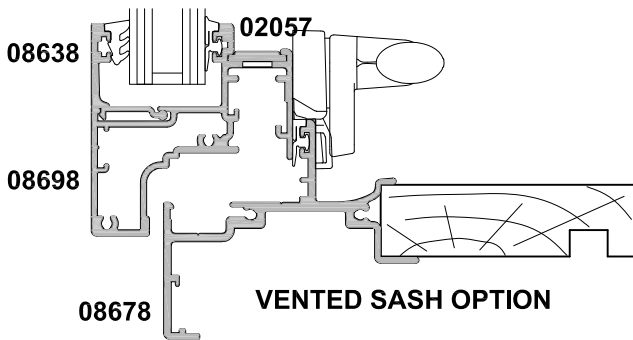
Cad Ref. AMAW05-0 Scale 1:2 Date 01.06.18



SECTION A-A



AEROVENT AT TRANSOM OPTION



SECTION B-B

