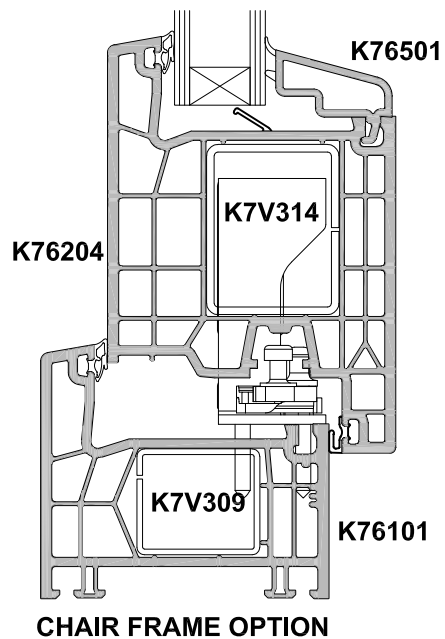
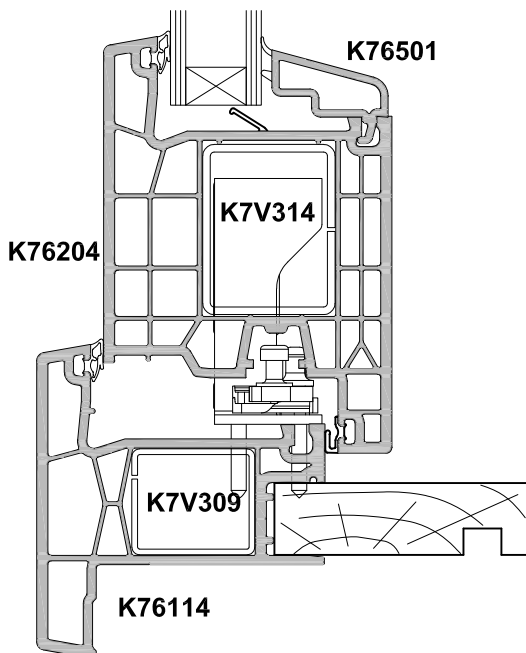
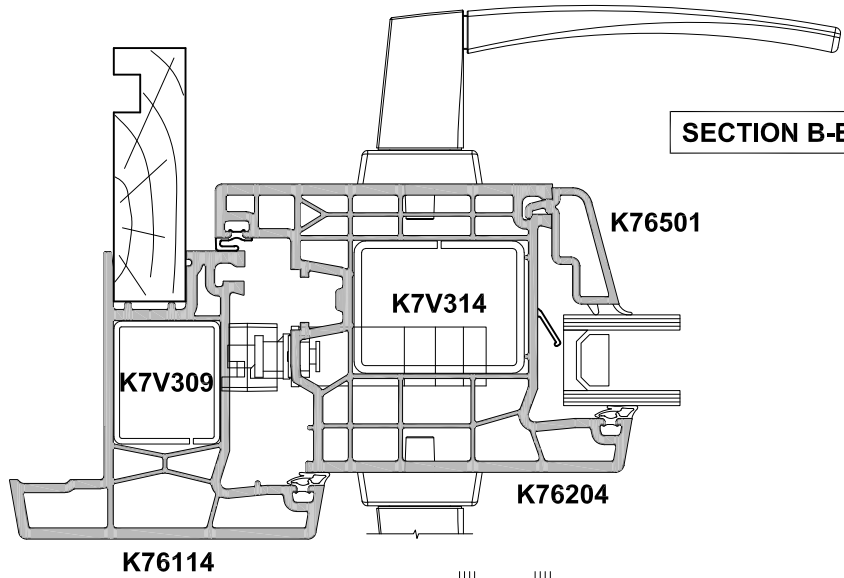
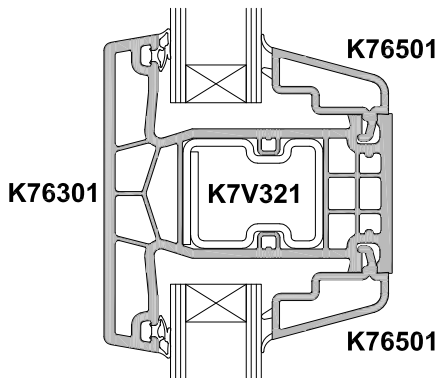


SECTION A-A

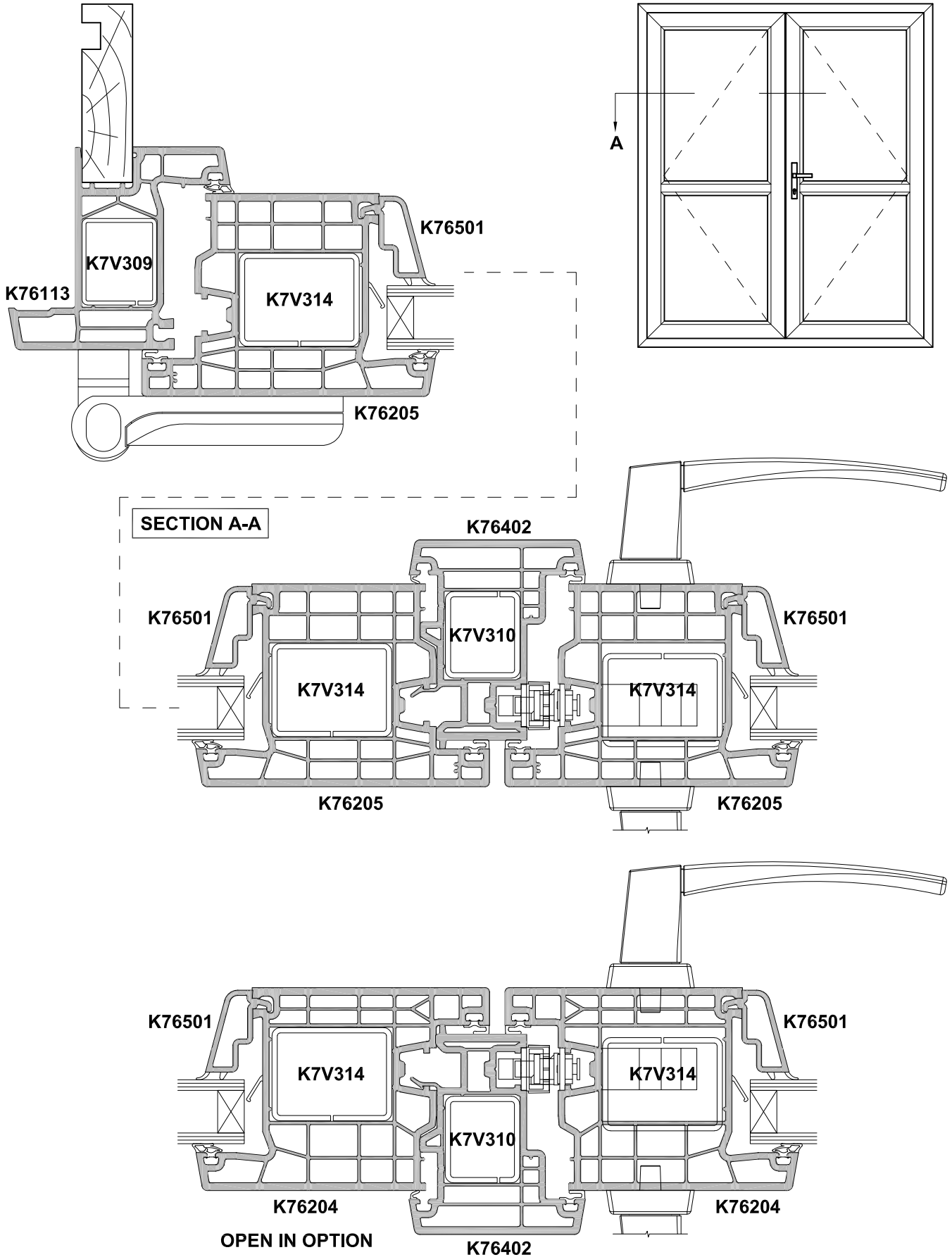
SECTION B-B

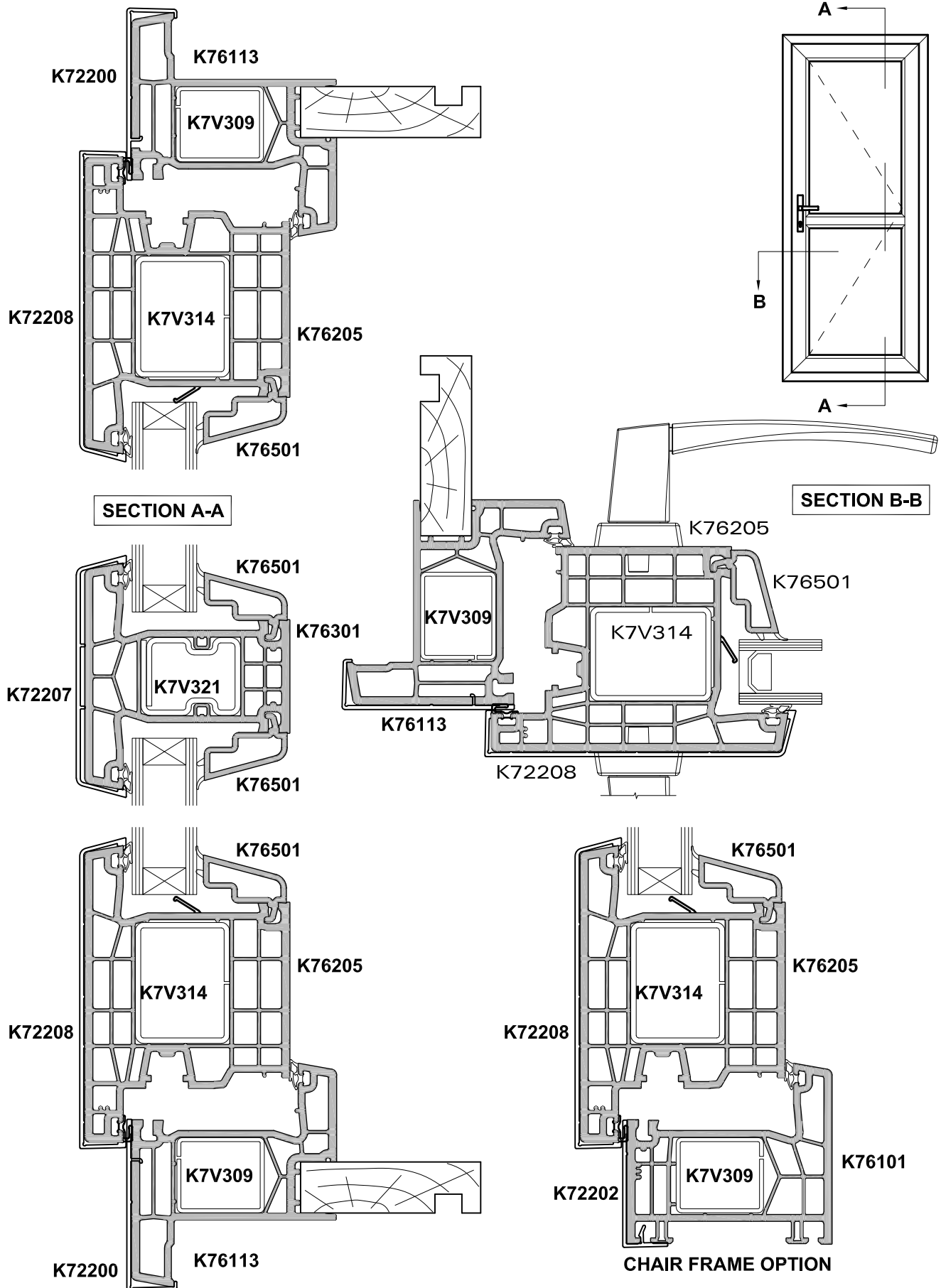


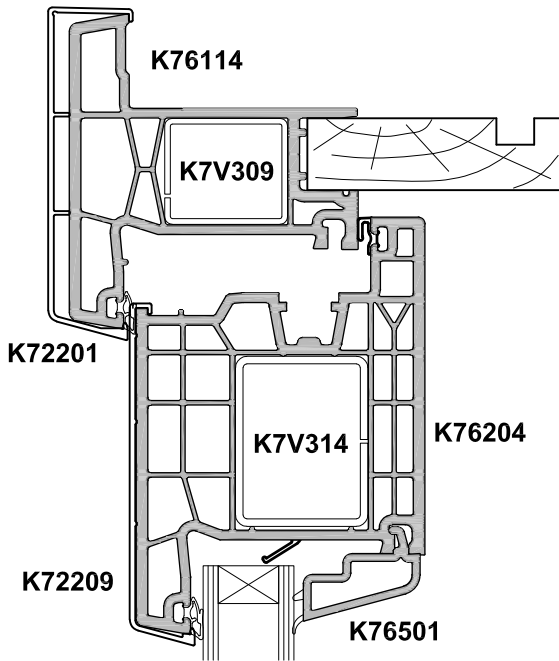
CHAIR FRAME OPTION

# KLIMA SERIES FRENCH DOOR, OPEN OUT AND OPEN IN CROSS SECTION

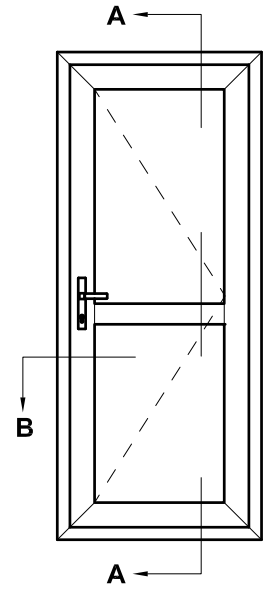
Cad Ref. AKHD04-0    Scale 1:2    Date 29.07.19



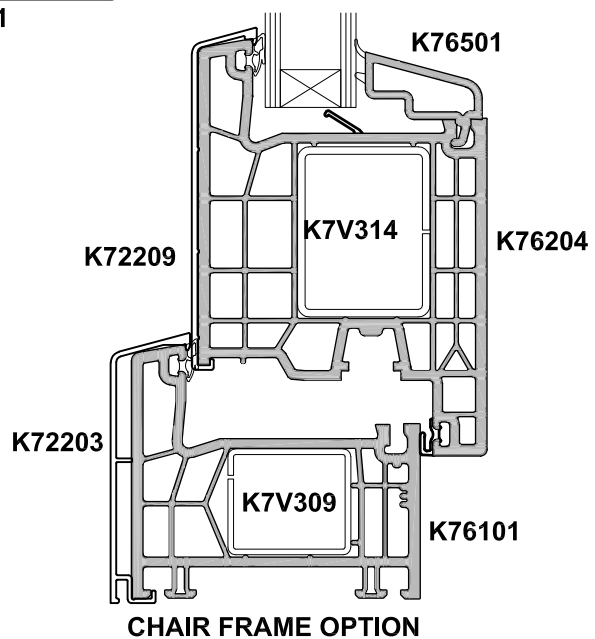
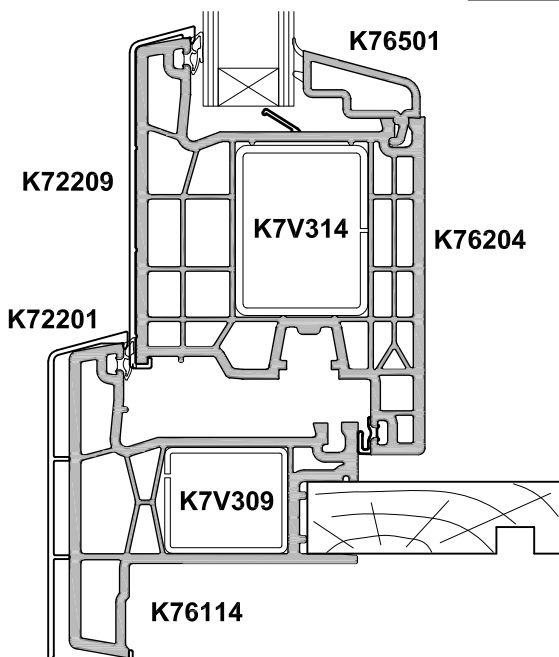
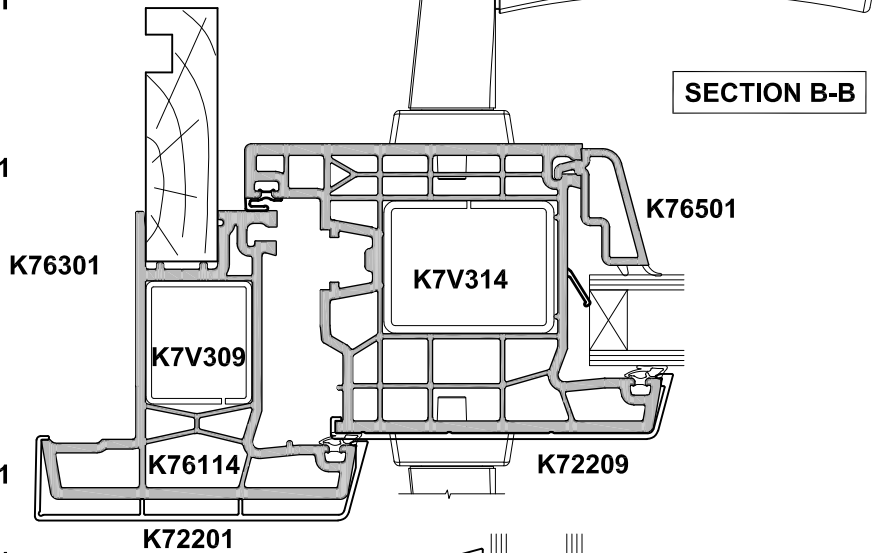
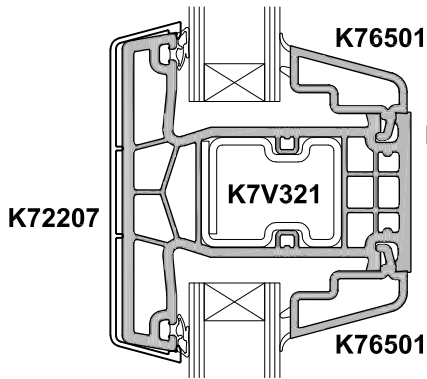




**SECTION A-A**

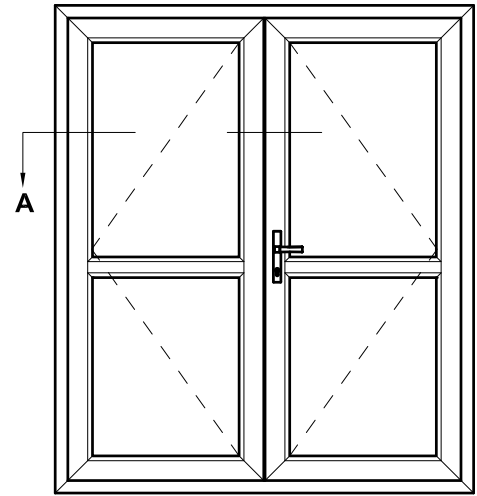
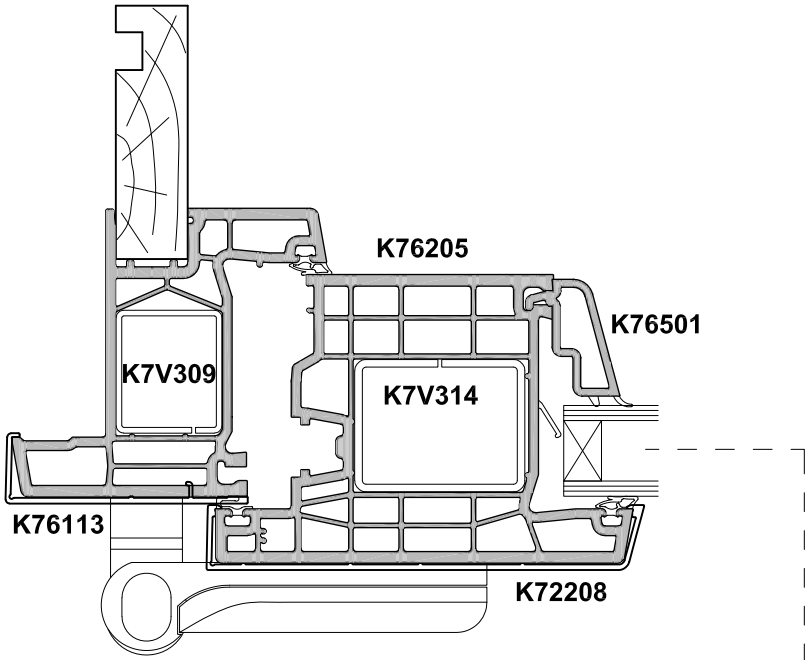


**SECTION B-B**



# KLIMA SERIES ALUCLIP FRENCH DOOR, OPEN OUT AND OPEN IN CROSS SECTION

Cad Ref. AKHD07-0    Scale 1:2    Date 28.09.21



**SECTION A-A**

