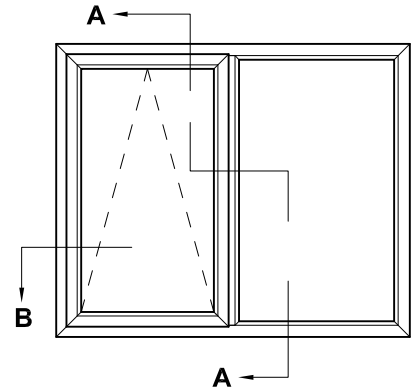
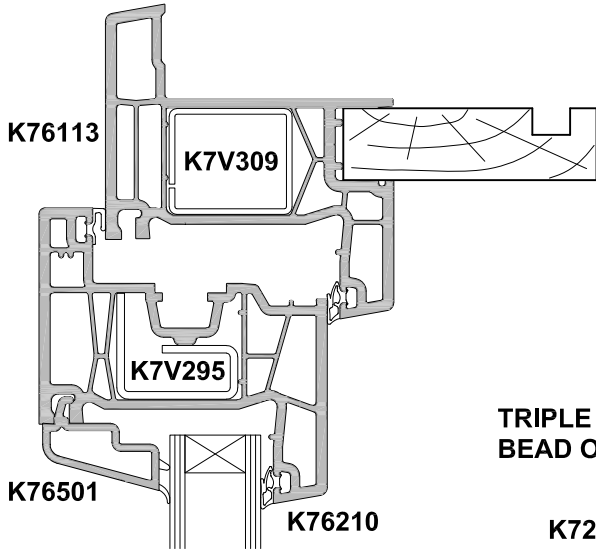


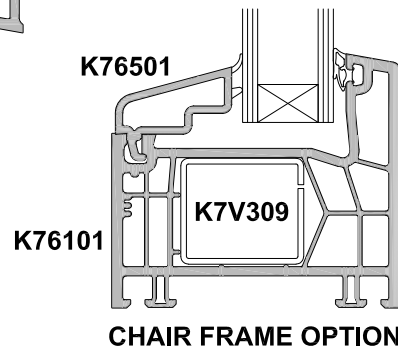
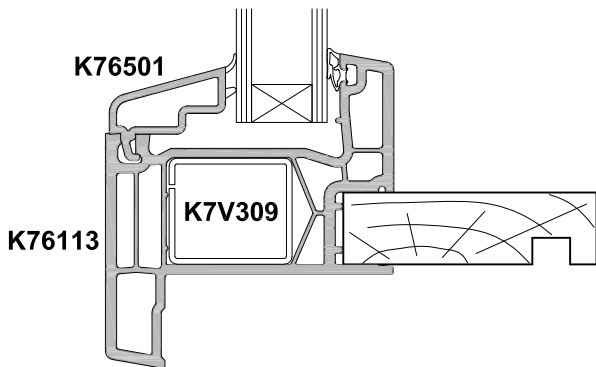
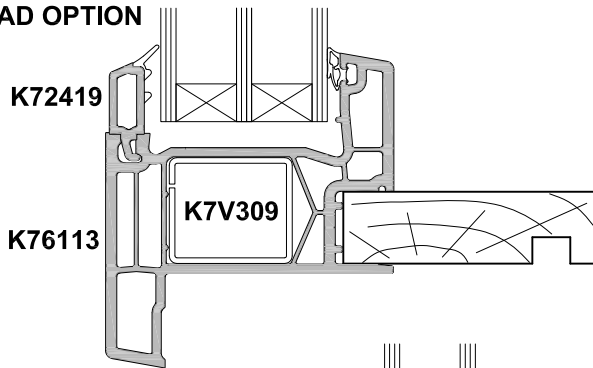
KLIMA SERIES AWNING WINDOW, SASH OPEN OUT CROSS SECTION

Cad Ref. AKAW02-0 Scale 1:2 Date 01.06.20



SECTION A-A

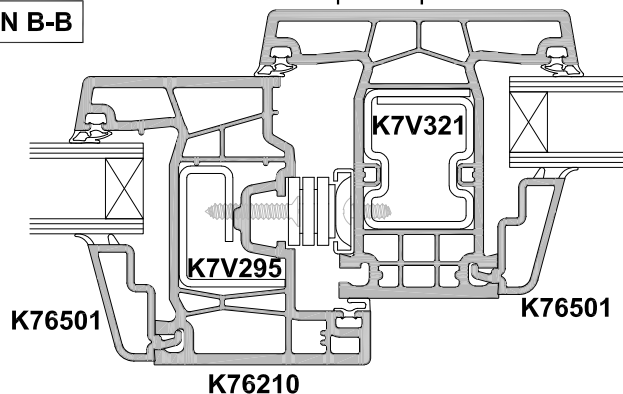
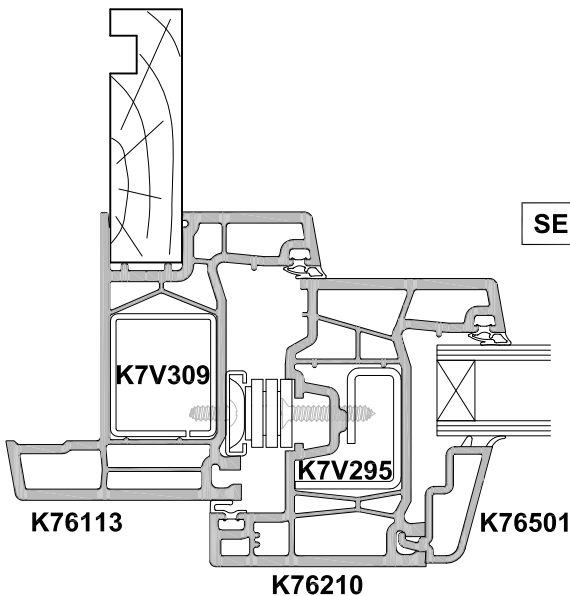
TRIPLE GLAZING BEAD OPTION

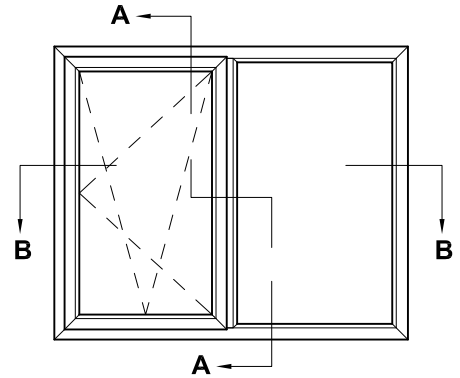
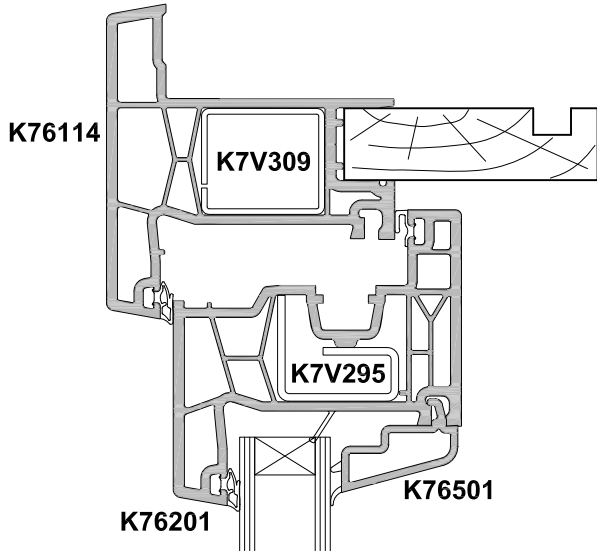


CHAIR FRAME OPTION

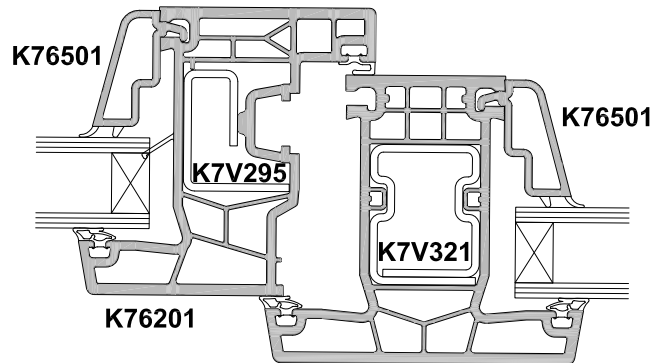
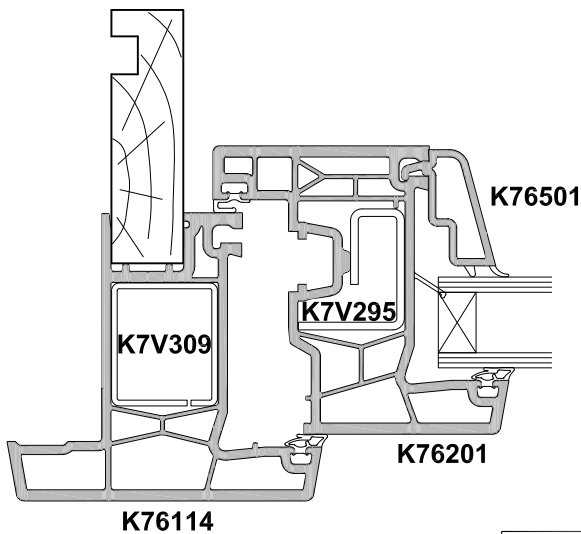
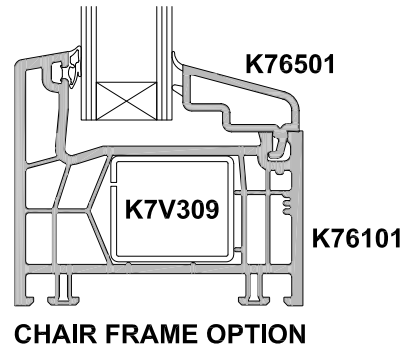
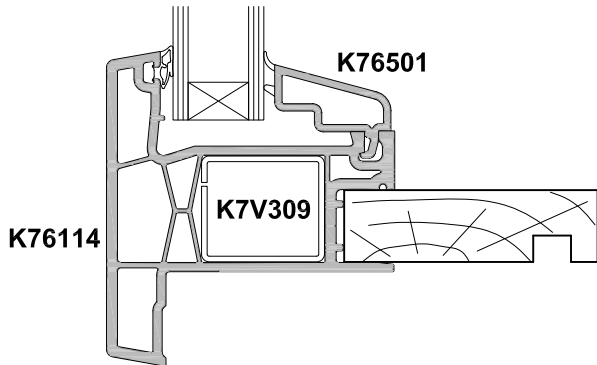
SECTION B-B

K76301 Mullion
Refer to tables for span requirements





SECTION A-A

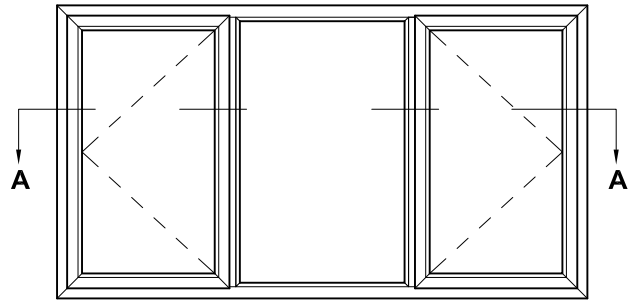
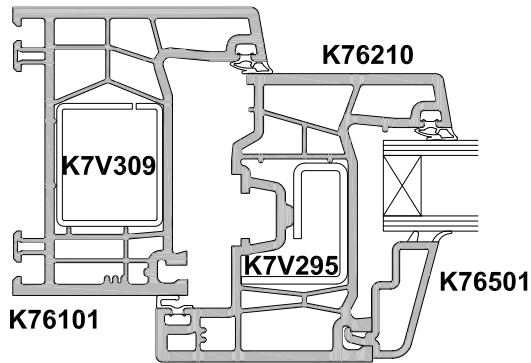


SECTION B-B

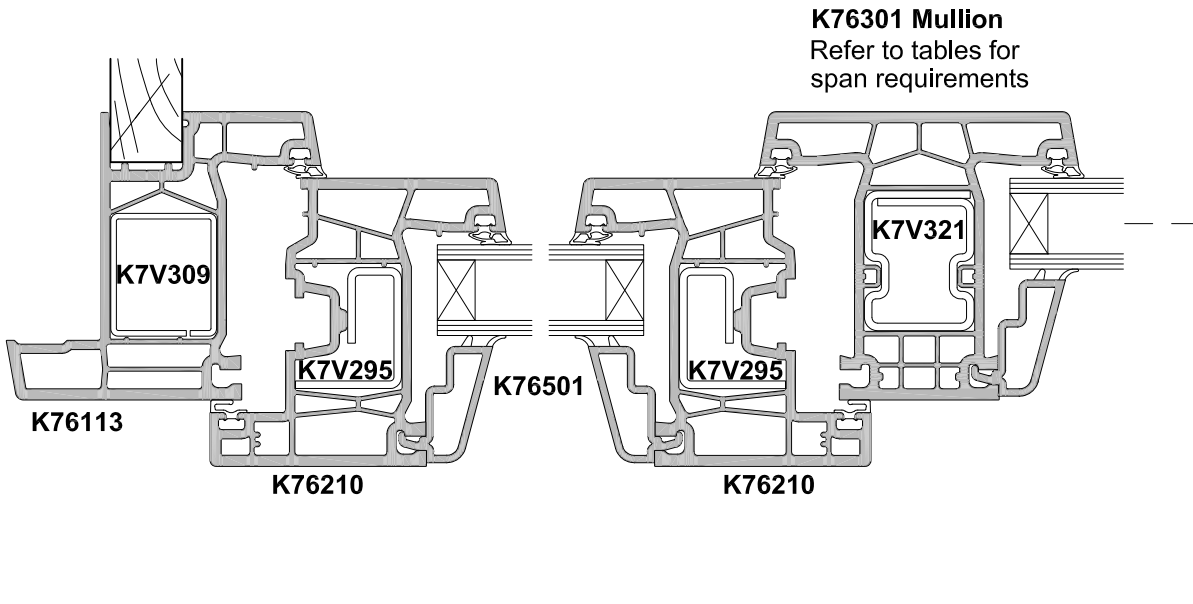
K76301 Mullion
Refer to tables for span requirements

KLIMA SERIES, CASEMENT WINDOW HORIZONTAL DETAILS, SASH OPEN OUT CROSS SECTION

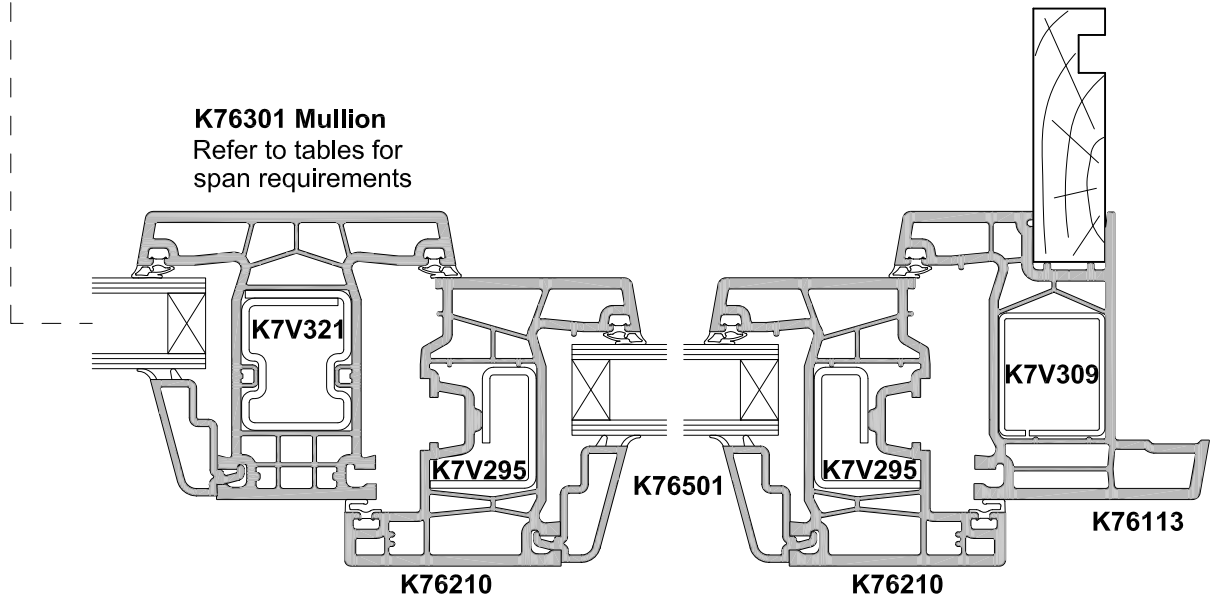
Cad Ref. AKAW04-0 Scale 1:2 Date 01.01.17



CHAIR FRAME OPTION

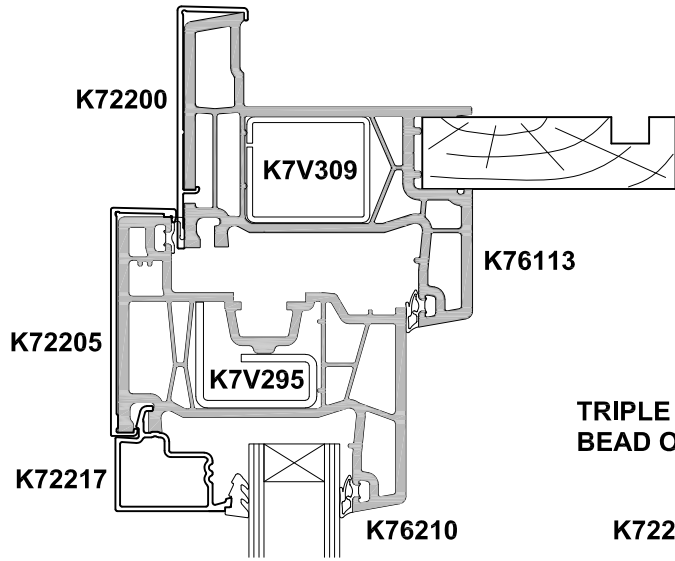


SECTION A-A

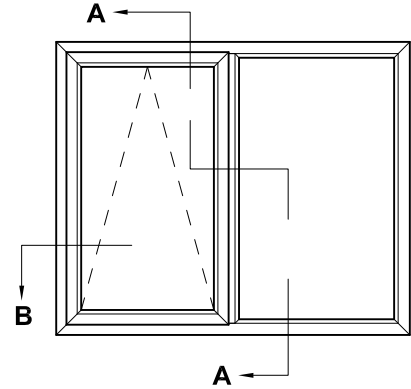


KLIMA SERIES ALUCLIP AWNING WINDOW, SASH OPEN OUT CROSS SECTION

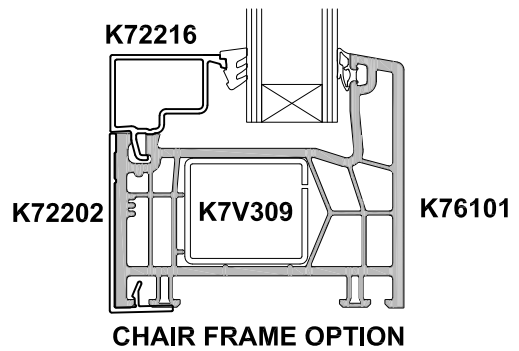
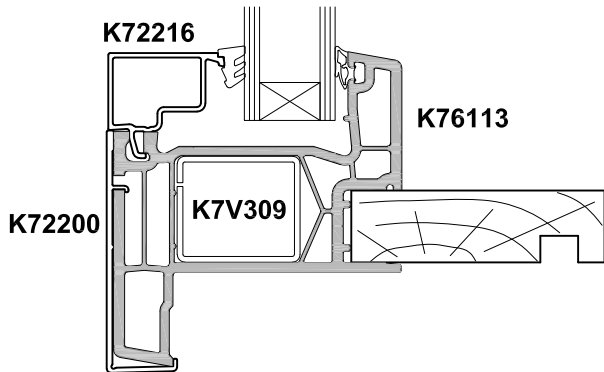
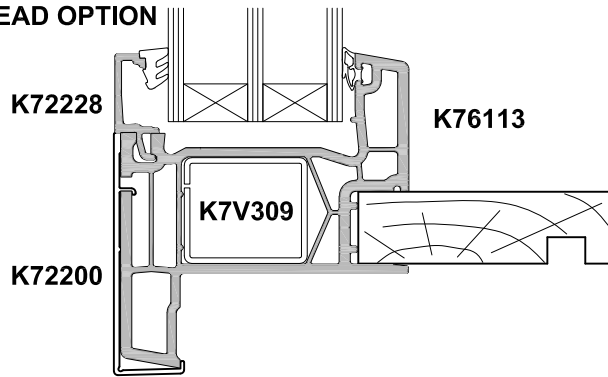
Cad Ref. AKAW05-0 Scale 1:2 Date 01.06.20



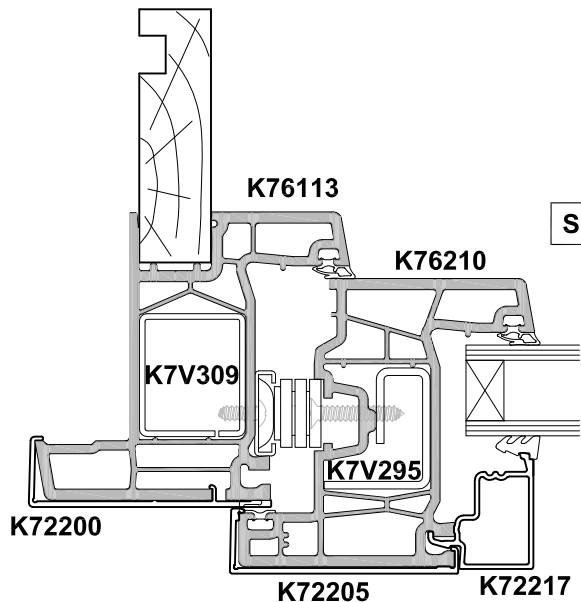
SECTION A-A



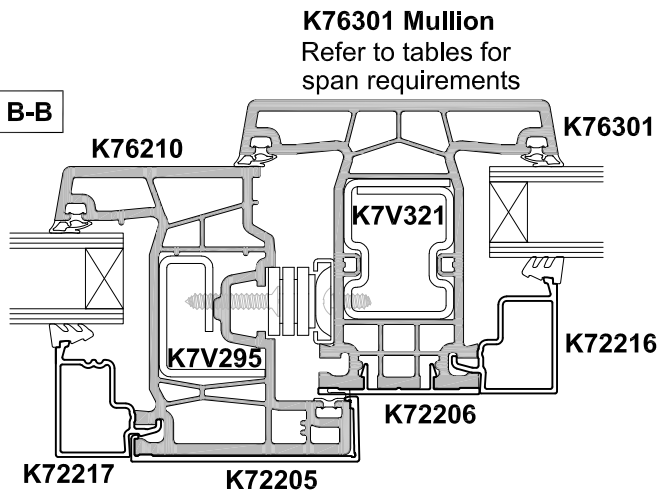
**TRIPLE GLAZING
BEAD OPTION**



CHAIR FRAME OPTION

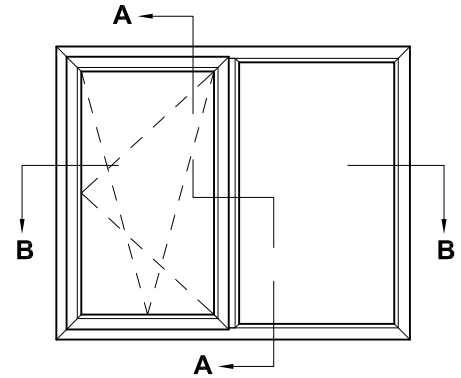
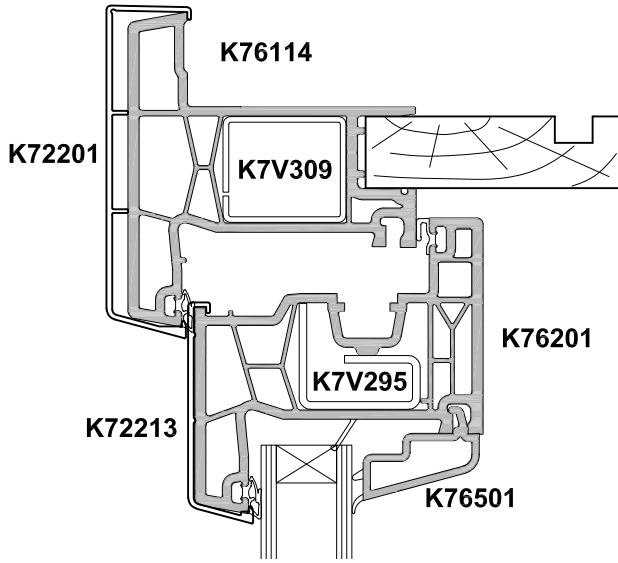


SECTION B-B

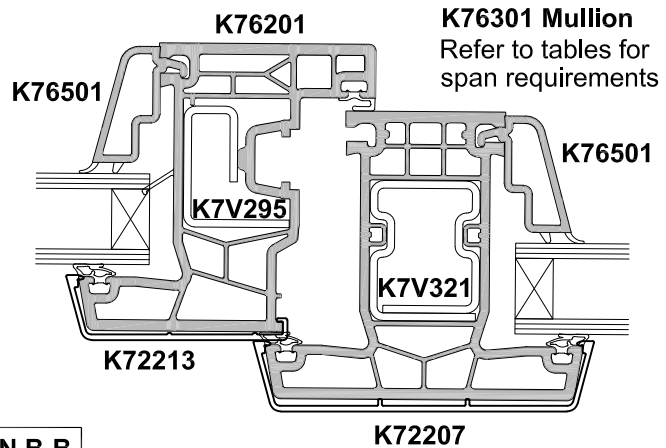
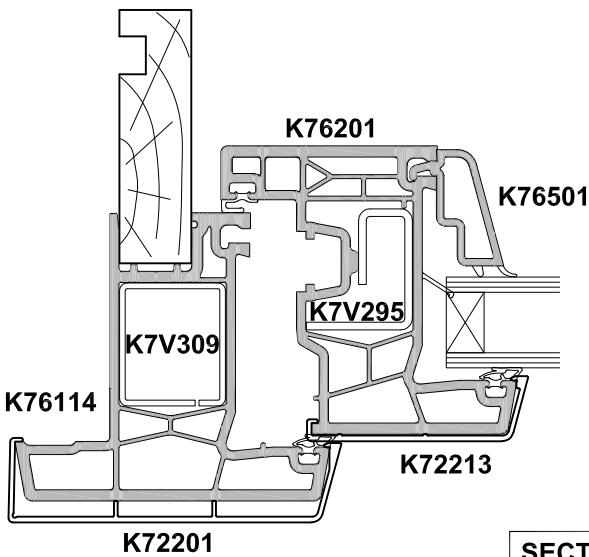
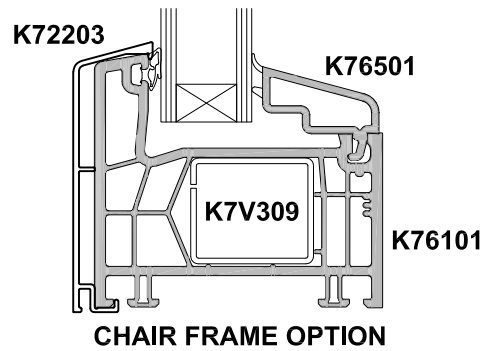
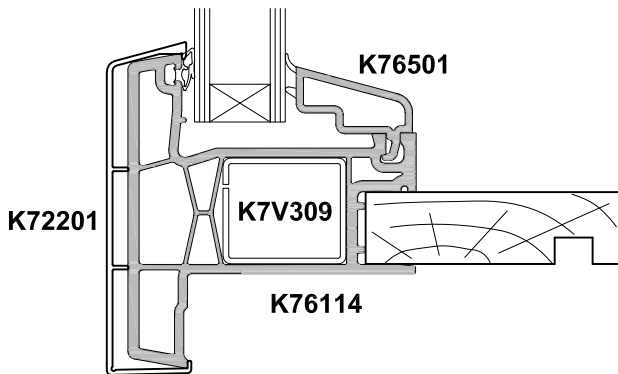


KLIMA SERIES ALUCLIP AWNING WINDOW, TILT AND TURN CROSS SECTION

Cad Ref. AKAW06-0 Scale 1:2 Date 01.06.20



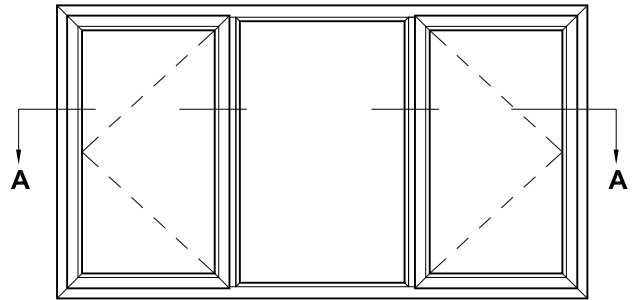
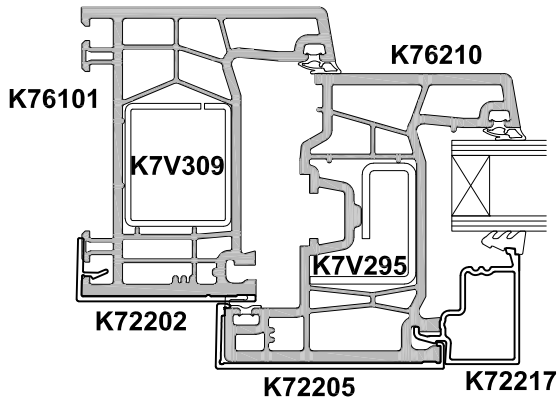
SECTION A-A



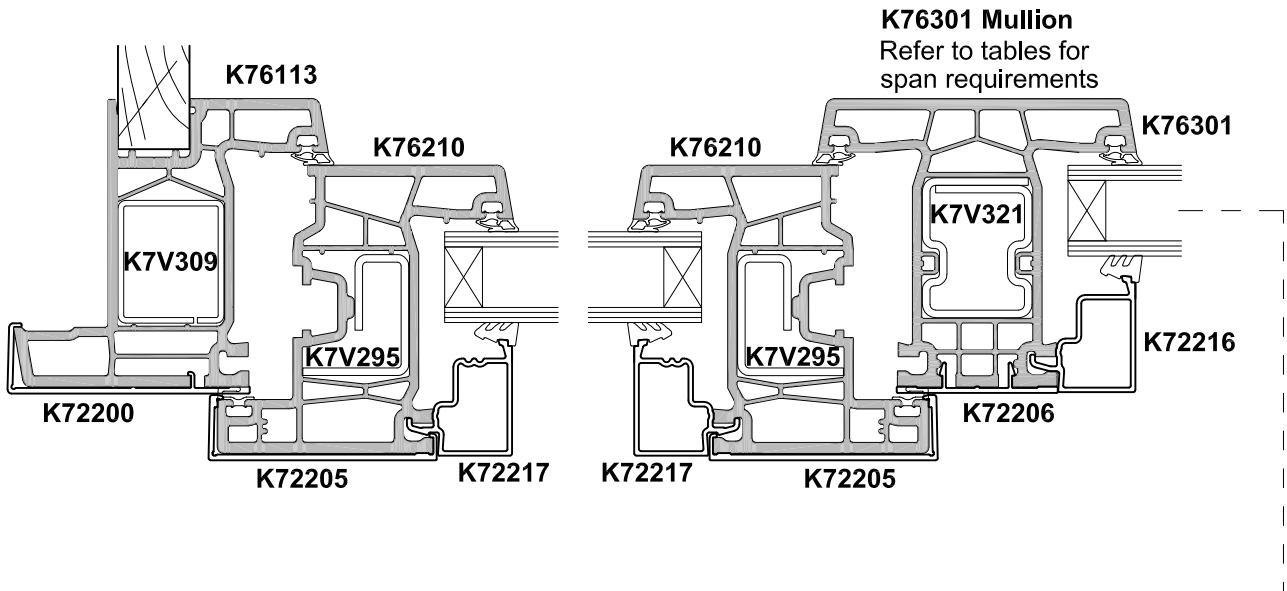
SECTION B-B

KLIMA SERIES ALUCLIP, CASEMENT WINDOW HORIZONTAL DETAILS, SASH OPEN OUT CROSS SECTION

Cad Ref. AKAW07-0 Scale 1:2 Date 01.06.20



CHAIR FRAME OPTION



SECTION A-A

