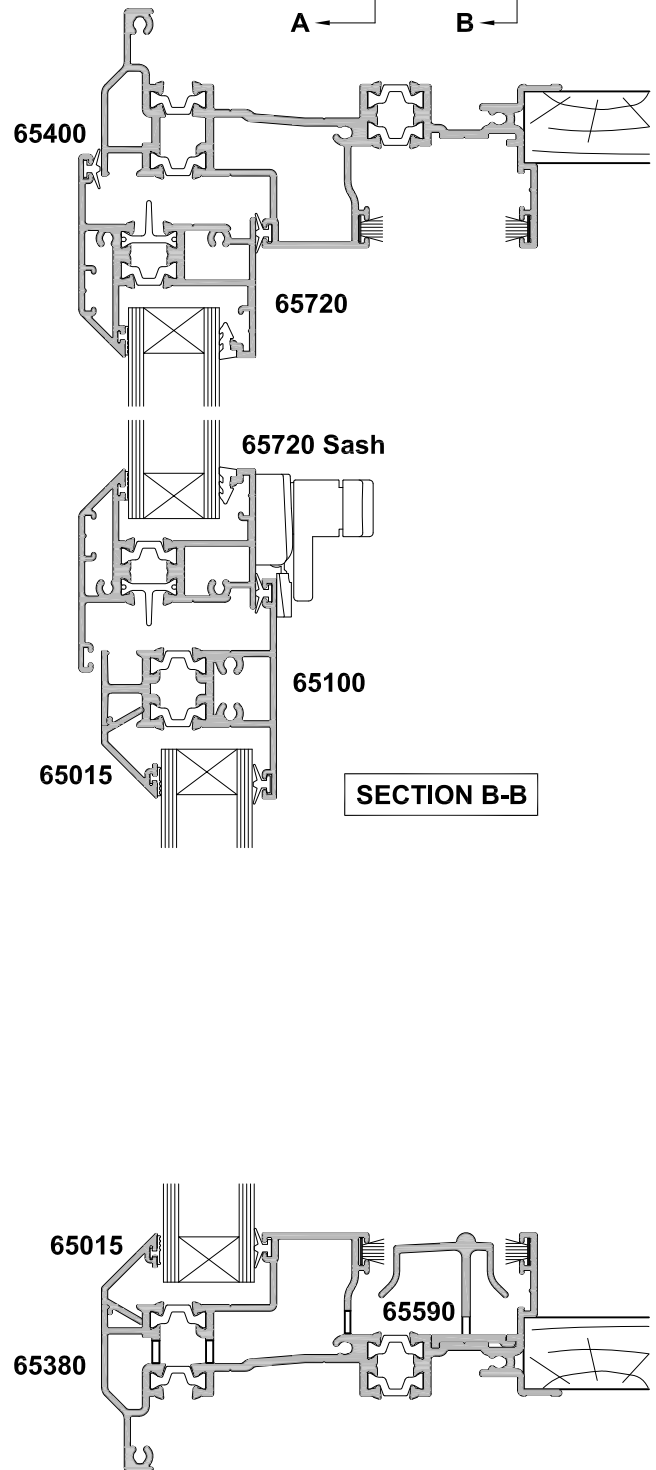
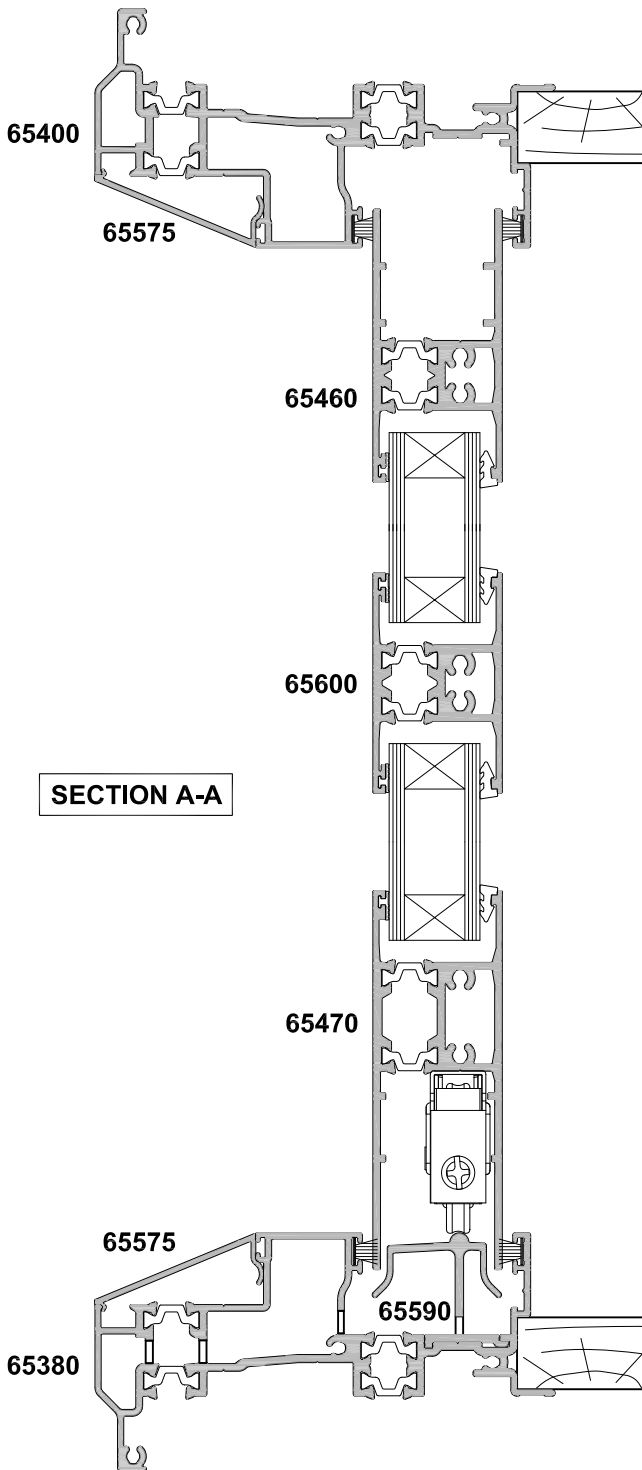
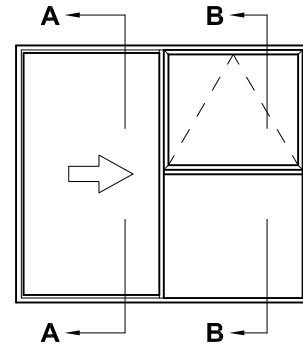


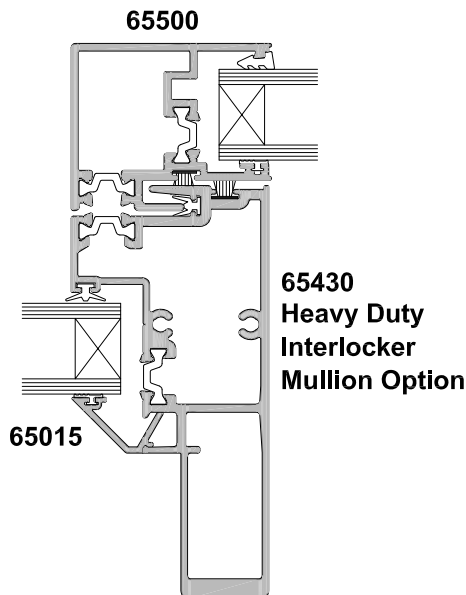
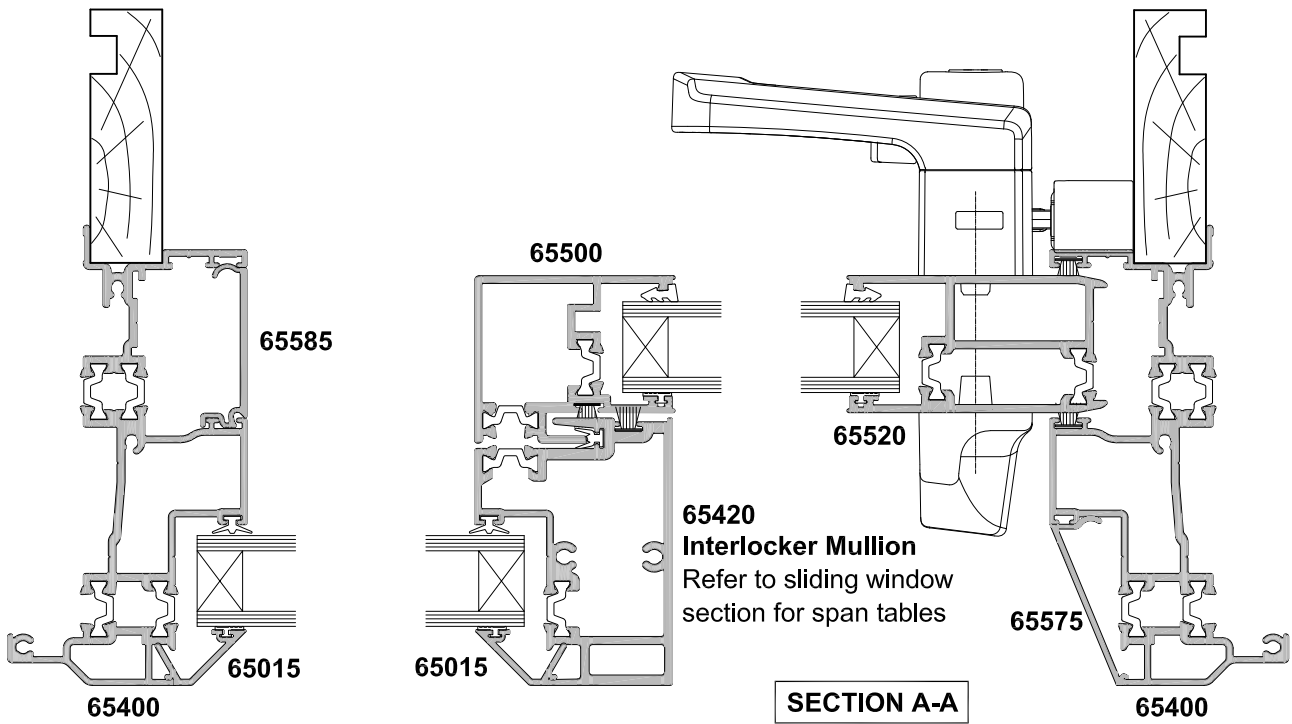
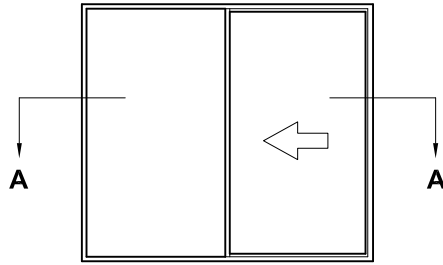
ALTherm THERMAL HEART, SLIDING DOOR TWO PANEL FS CROSS SECTION

Cad Ref. ARTSD02-0 Scale 1:2 Date 26.01.18



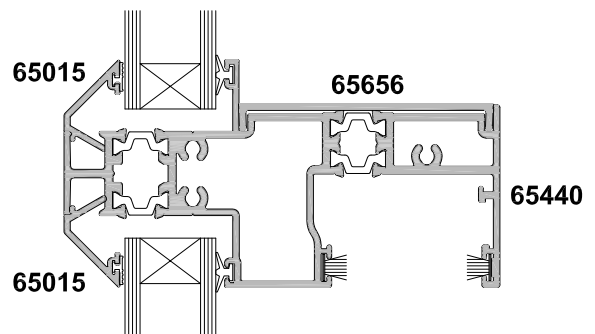
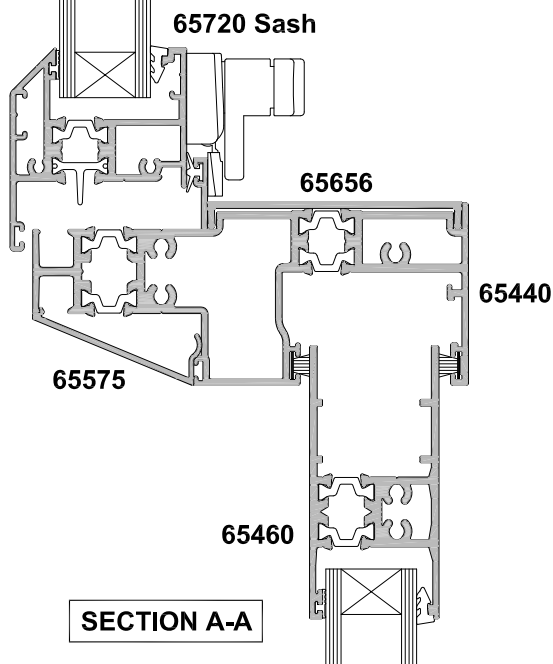
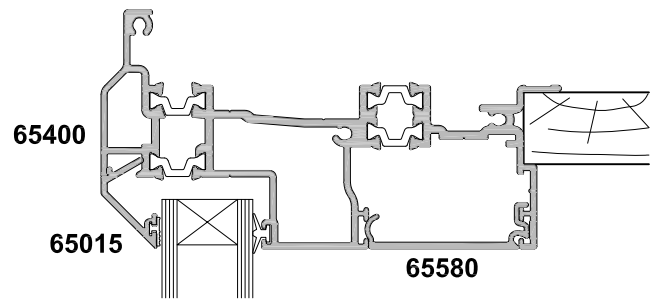
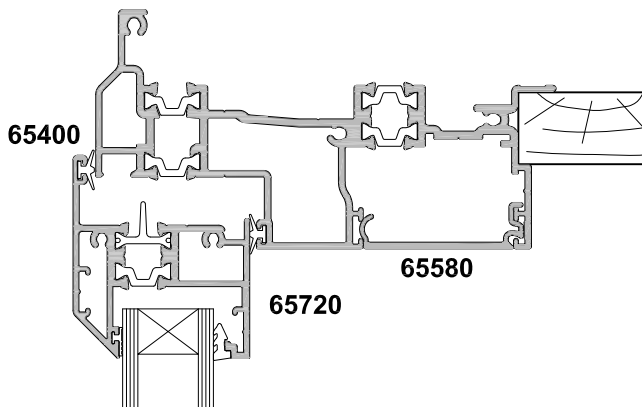
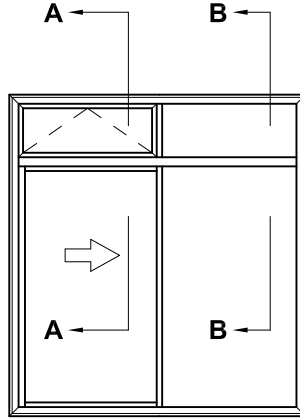
ALTherm THERMAL HEART, SLIDING DOOR TWO PANEL FS CROSS SECTION

Cad Ref. ARTSD03-0 Scale 1:2 Date 30.01.18



ALTherm THERMAL HEART, SLIDING DOOR TWO PANEL FS WITH OVERLIGHT OPTION CROSS SECTION

Cad Ref. ARTSD04-0 Scale 1:2 Date 30.01.18

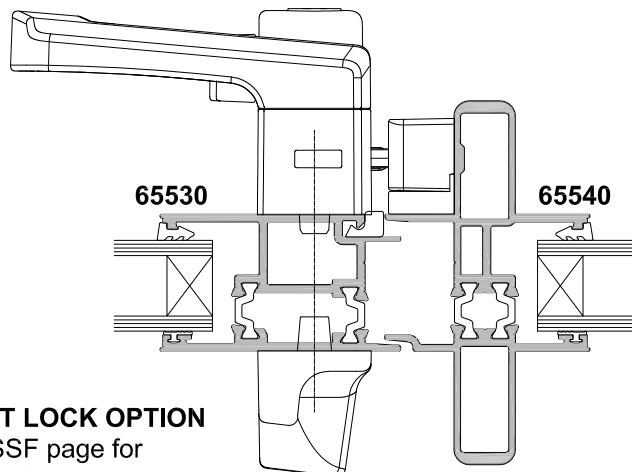
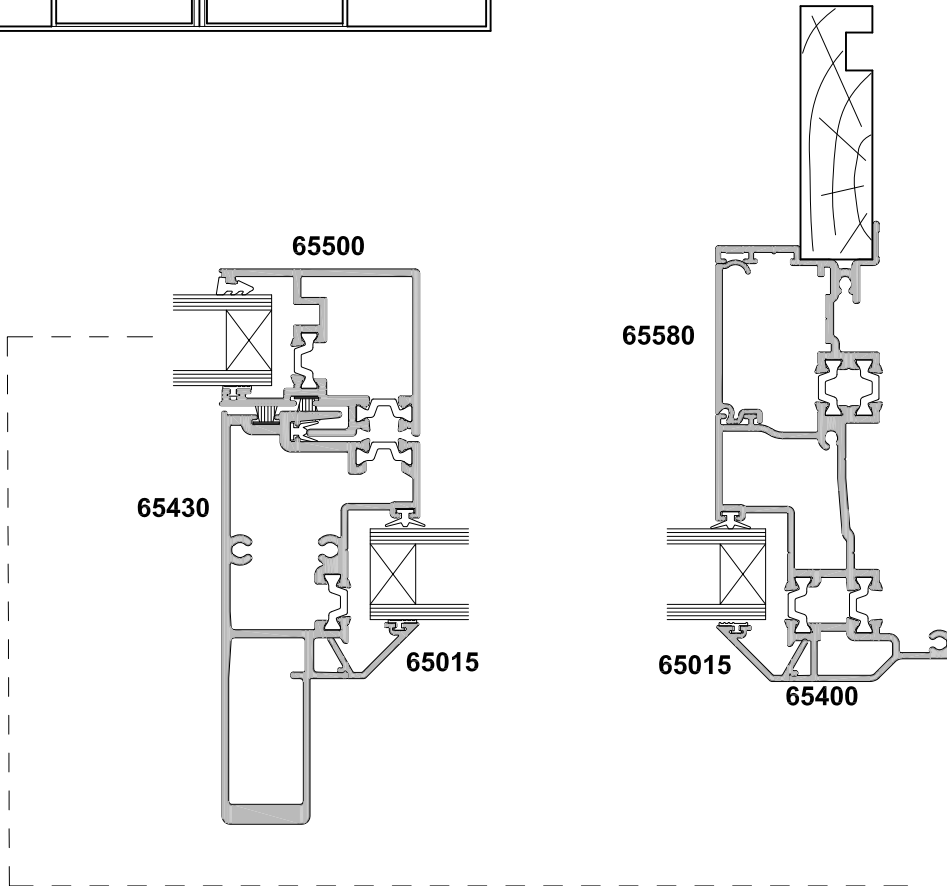
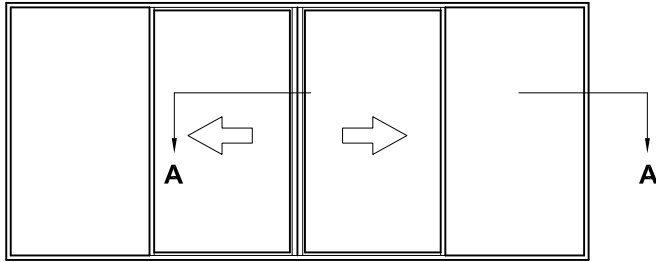


SECTION A-A

SECTION B-B

ALThERM THERMAL HEART, SLIDING DOOR FOUR PANEL FSSF CROSS SECTION

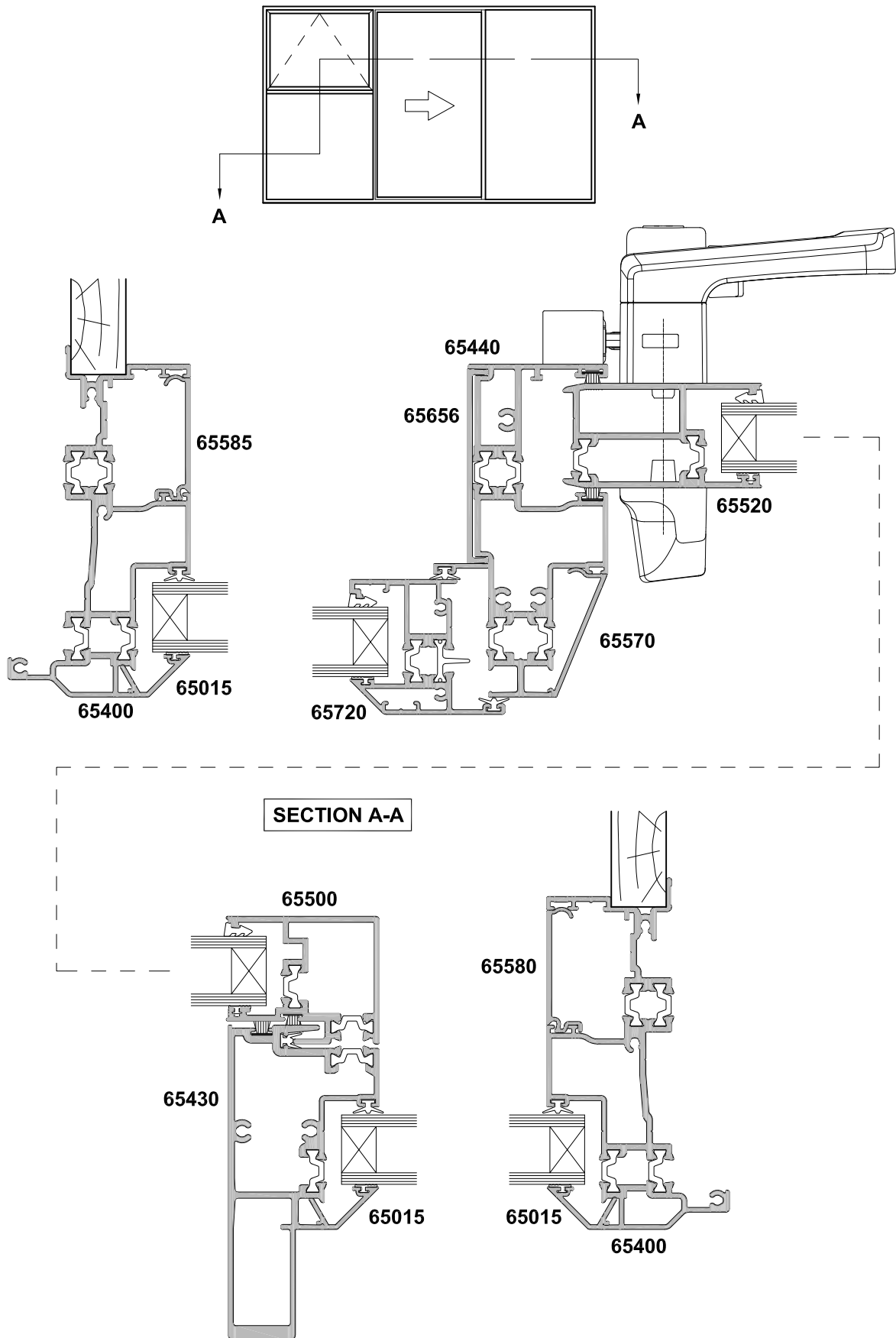
Cad Ref. ARTSD05-0 Scale 1:2 Date 30.01.18



SURFACE MOUNT LOCK OPTION
Refer to FSSSF page for
the Morticed lock option

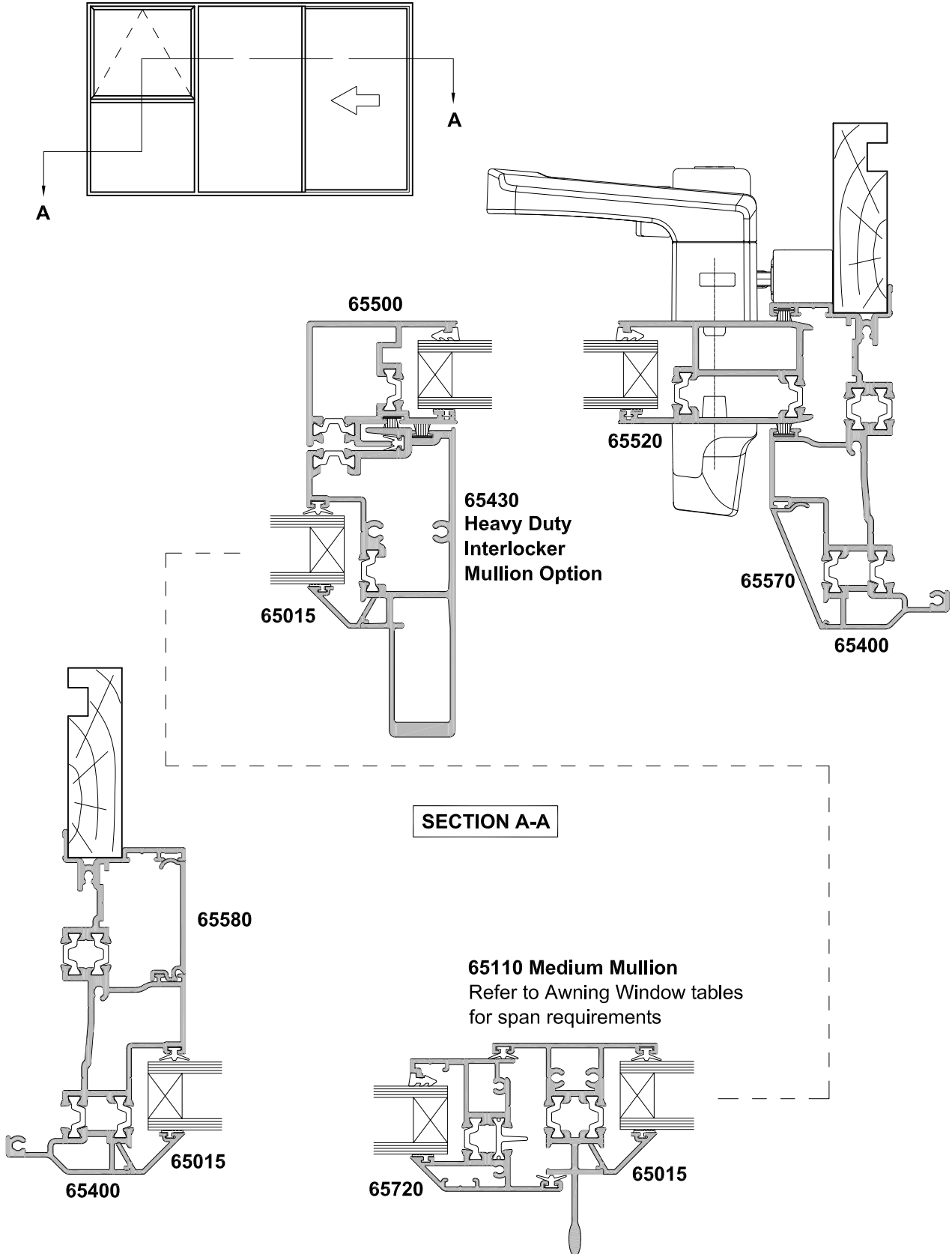
ALThERM THERMAL HEART, SLIDING DOOR THREE PANEL FSF CROSS SECTION

Cad Ref. ARTSD06-0 Scale 1:2 Date 30.01.18



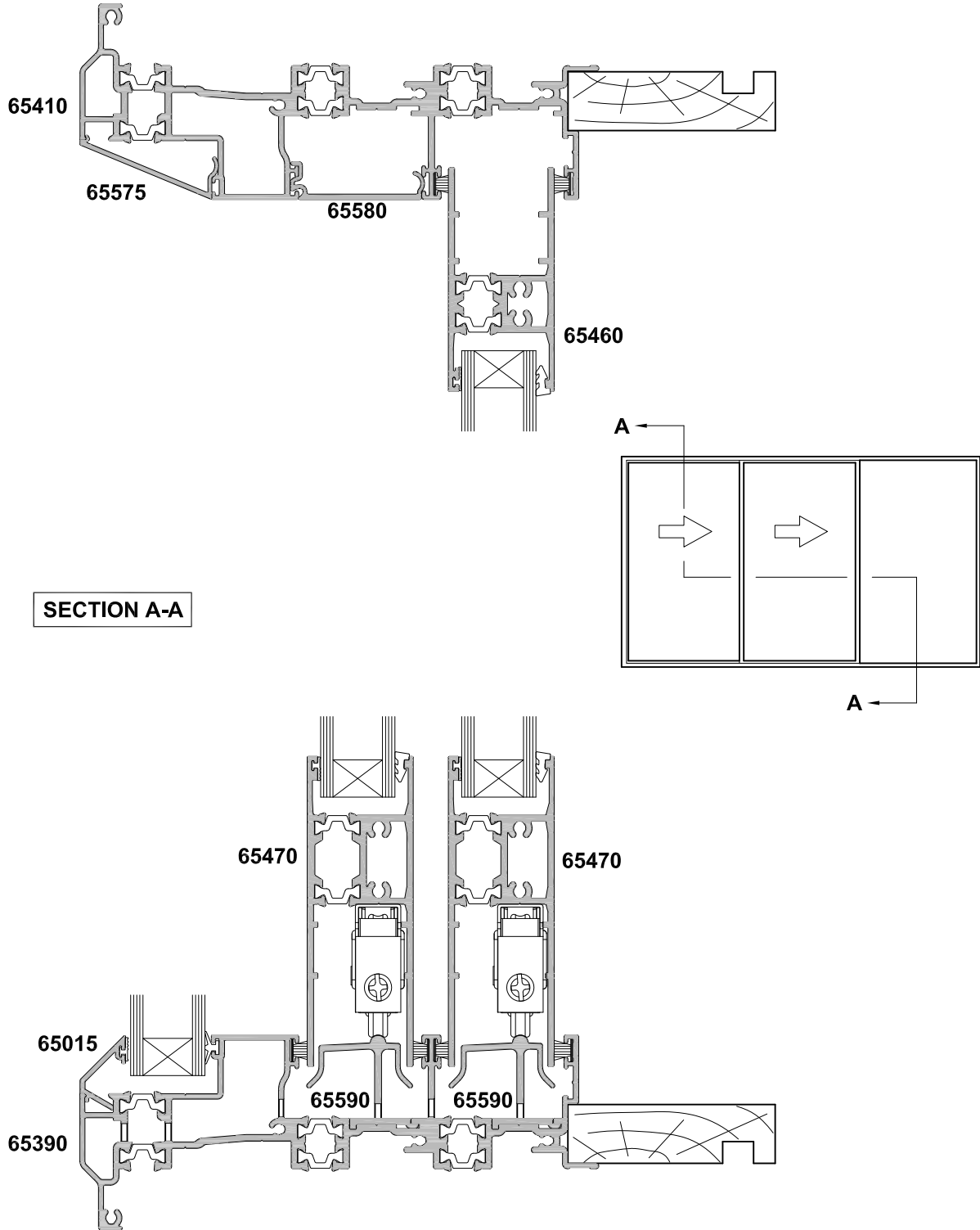
ALThERM THERMAL HEART, SLIDING DOOR THREE PANEL FSF CROSS SECTION

Cad Ref. ARTSD07-0 Scale 1:2 Date 30.01.18



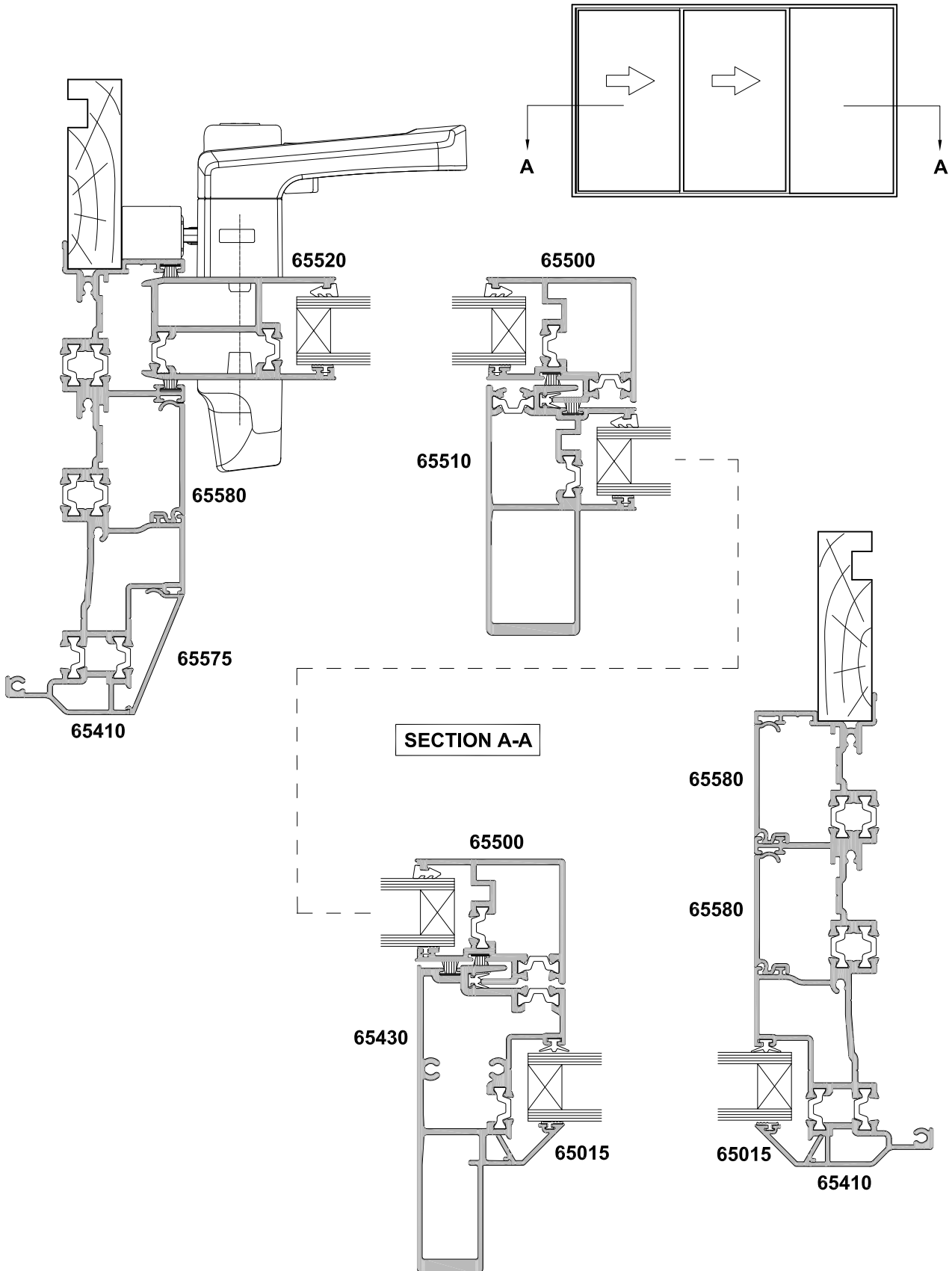
ALThERM THERMAL HEART, SLIDING DOOR THREE PANEL SSF CROSS SECTION

Cad Ref. ARTSD08-0 Scale 1:2 Date 30.01.18



ALTherm THERMAL HEART, SLIDING DOOR THREE PANEL SSF CROSS SECTION

Cad Ref. ARTSD09-0 Scale 1:2 Date 30.01.18



ALTherm THERMAL HEART, SLIDING DOOR SIX PANEL FSS / SSF CROSS SECTION

Cad Ref. ARTSD10-0 Scale 1:2 Date 30.01.18

