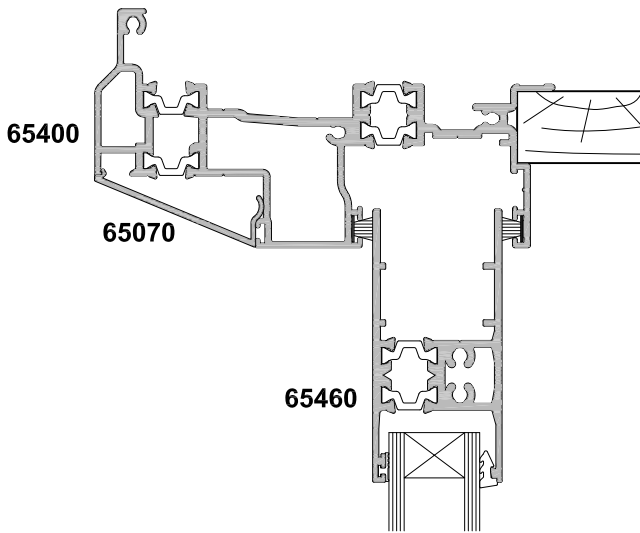
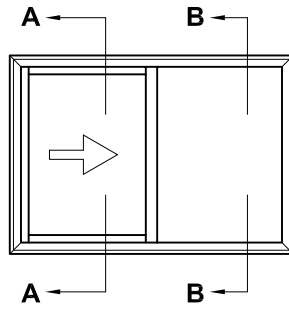
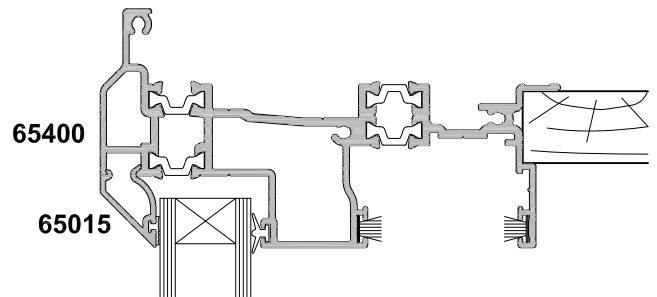


ALTherm THERMAL HEART, SLIDING WINDOW TWO PANEL SF CROSS SECTION

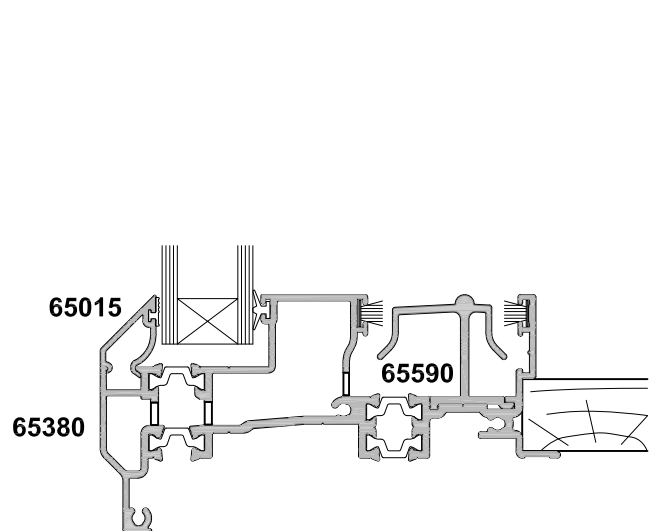
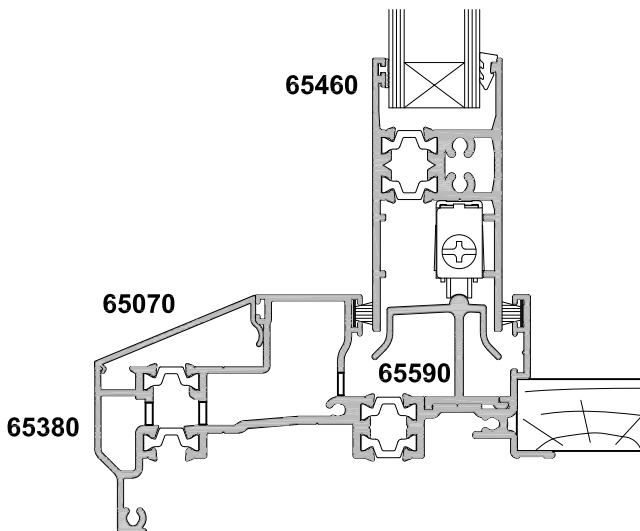
Cad Ref. ARTSW02-0 Scale 1:2 Date 01.06.11



SECTION A-A

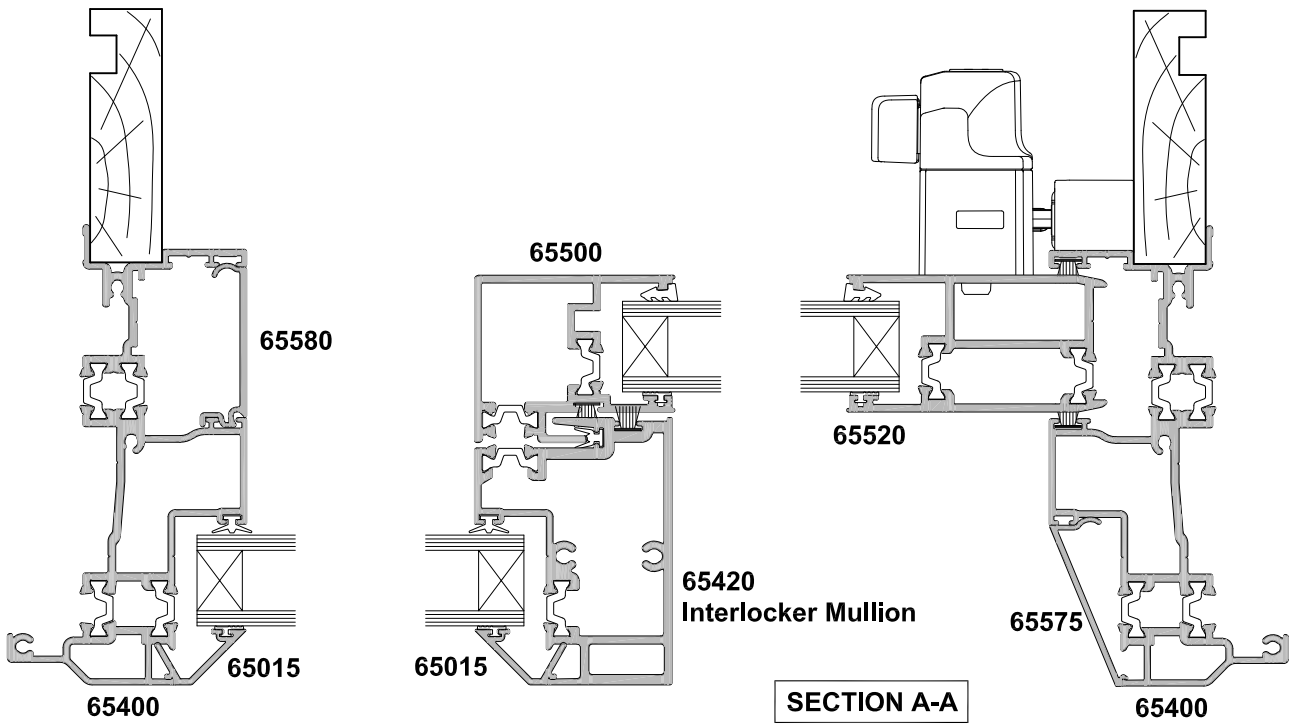
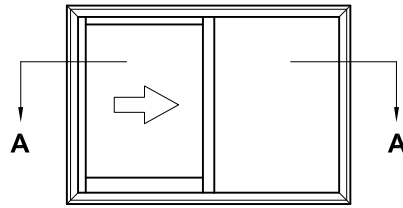


SECTION B-B



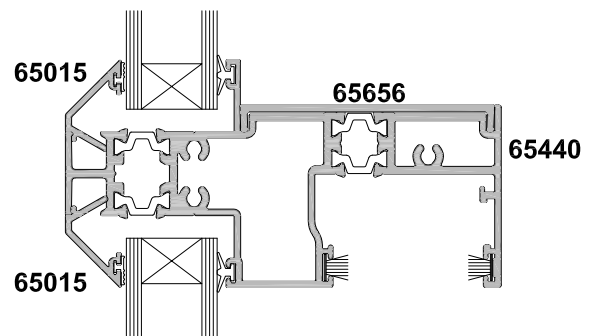
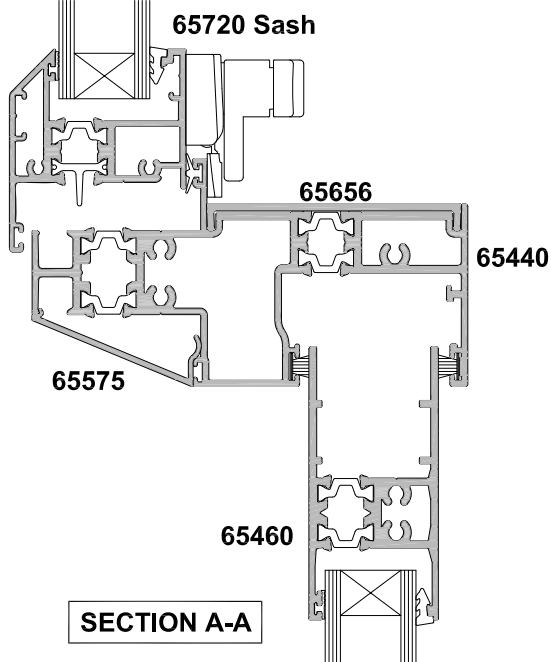
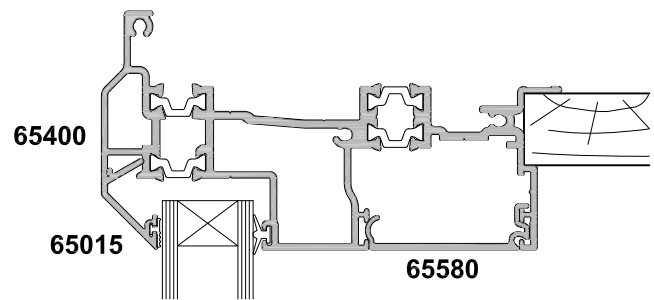
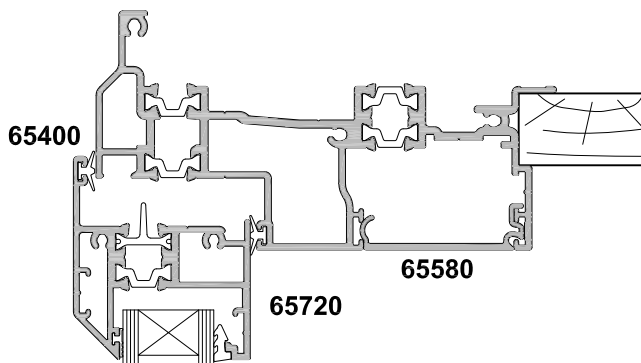
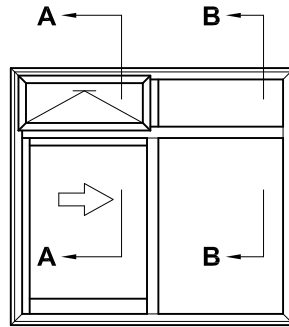
ALTherm THERMAL HEART, SLIDING WINDOW TWO PANEL SF CROSS SECTION

Cad Ref. ARTSW03-0 Scale 1:2 Date 30.01.18



ALTherm THERMAL HEART, SLIDING WINDOW TWO PANEL SF WITH OVERLIGHT OPTION CROSS SECTION

Cad Ref. ARTSW04-0 Scale 1:2 Date 30.01.18

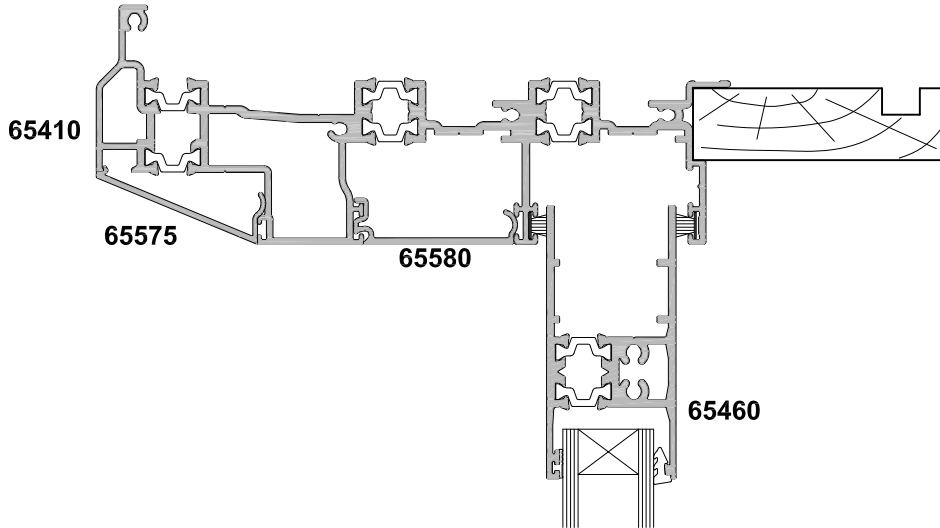


SECTION A-A

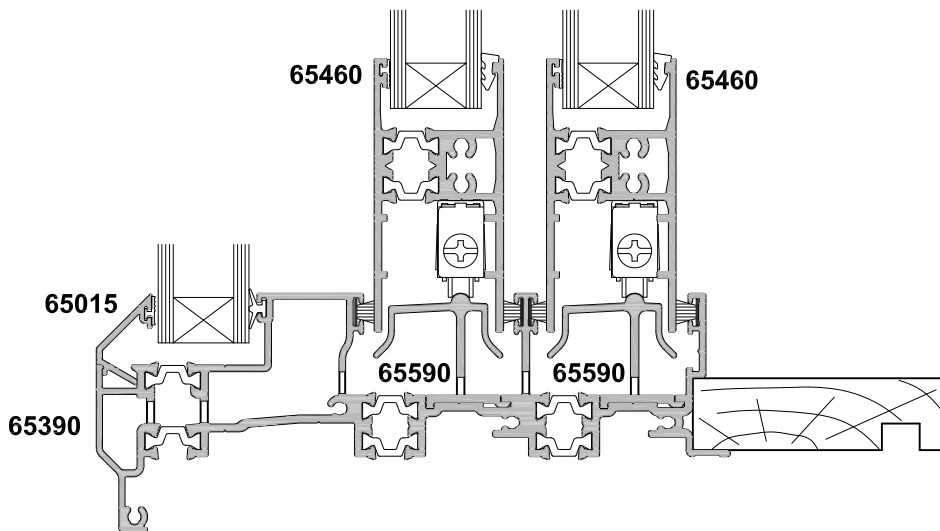
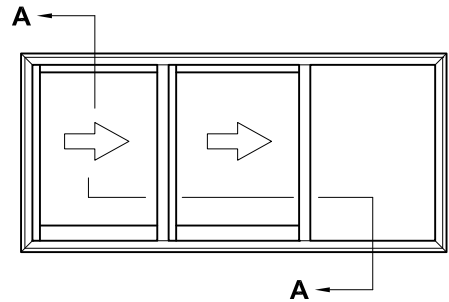
SECTION B-B

ALTherm THERMAL HEART, SLIDING WINDOW THREE PANEL SSF CROSS SECTION

Cad Ref. ARTSW05-0 Scale 1:2 Date 30.01.18

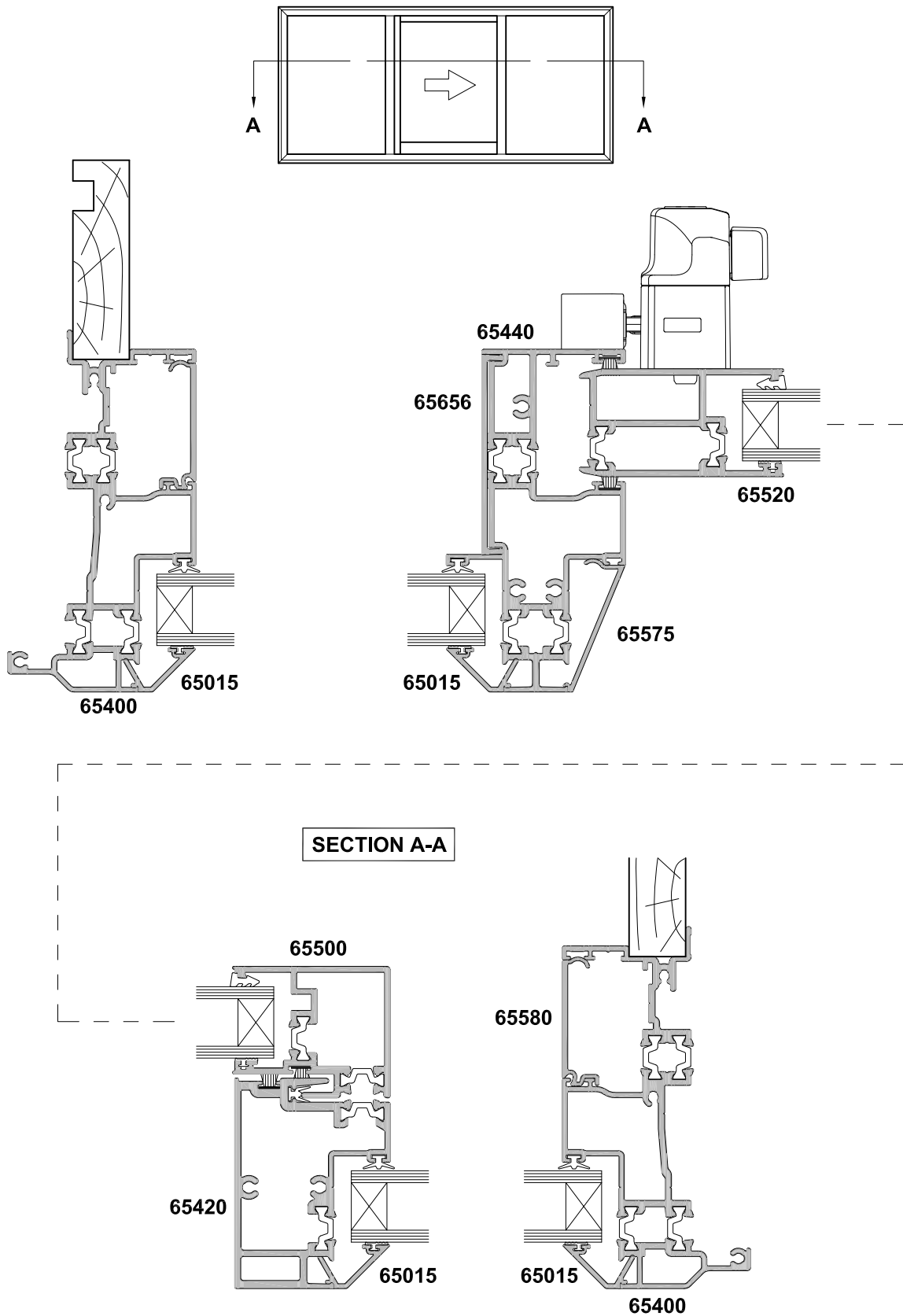


SECTION A-A



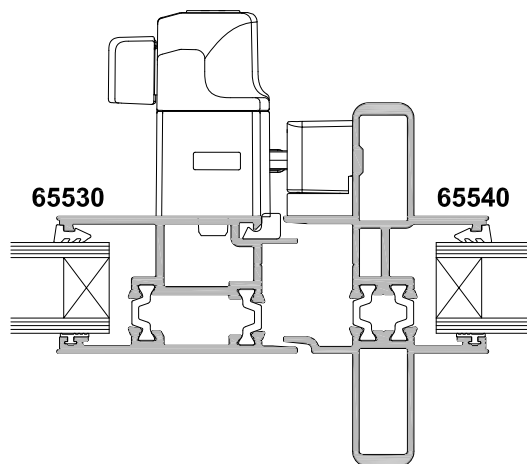
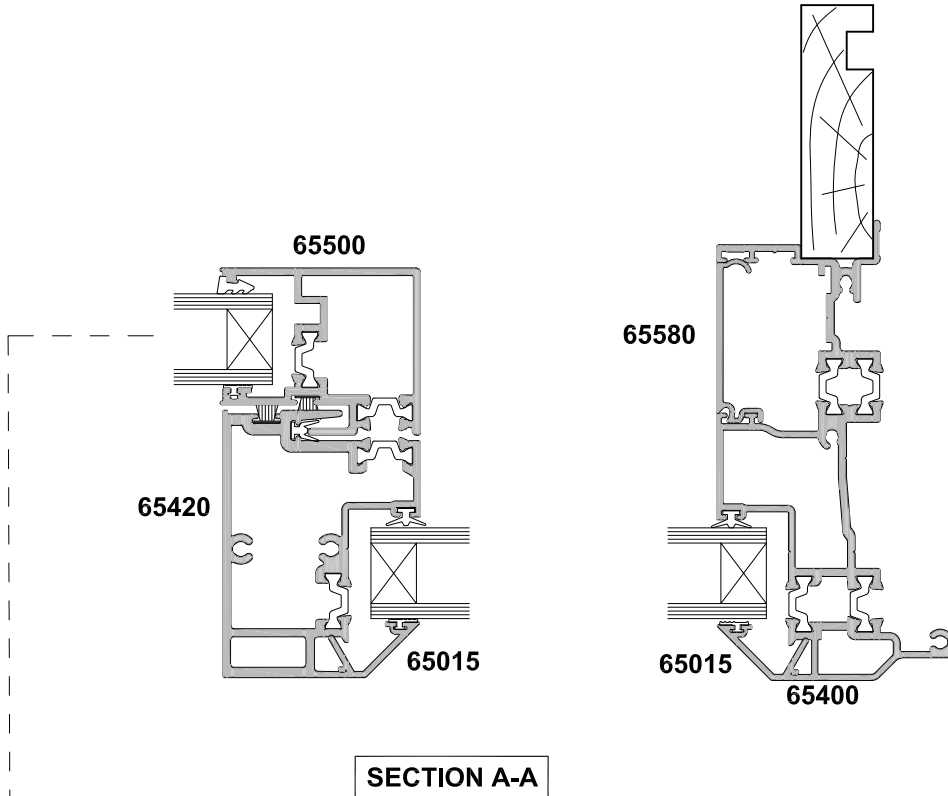
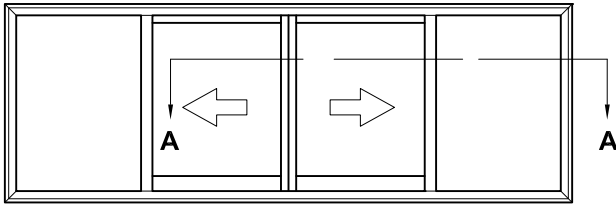
ALTherm THERMAL HEART, SLIDING WINDOW THREE PANEL FSF CROSS SECTION

Cad Ref. ARTSW06-0 Scale 1:2 Date 30.01.18



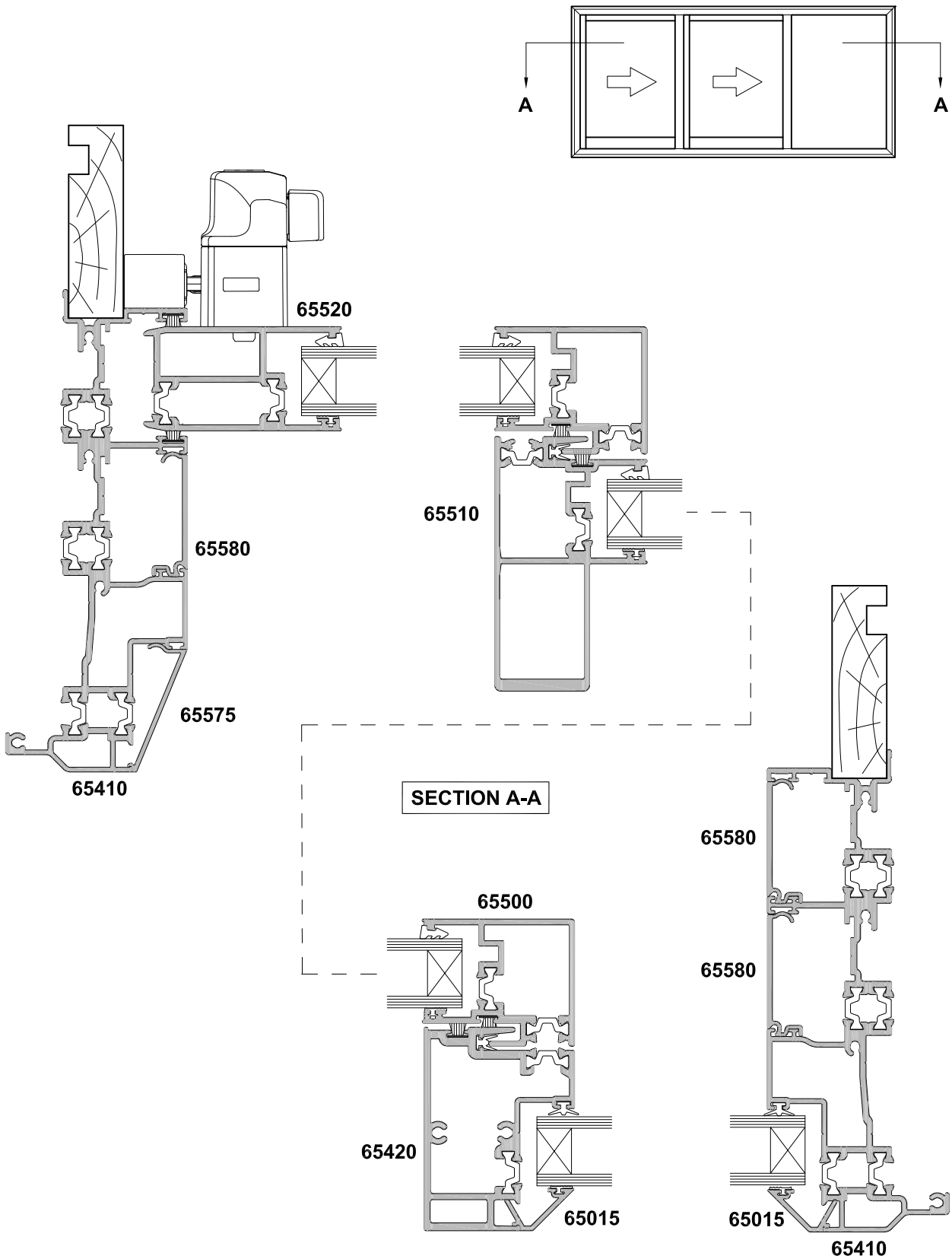
ALTherm THERMAL HEART, SLIDING WINDOW FOUR PANEL FSSF CROSS SECTION

Cad Ref. ARTSW07-0 Scale 1:2 Date 30.01.18



ALTherm THERMAL HEART, SLIDING WINDOW THREE PANEL SSF CROSS SECTION

Cad Ref. ARTSW08-0 Scale 1:2 Date 31.01.18



ALThERM THERMAL HEART, SLIDING WINDOW SIX PANEL FSS / SSF

CROSS SECTION

Cad Ref. ARTSW09-0 Scale 1:2 Date 31.01.18

