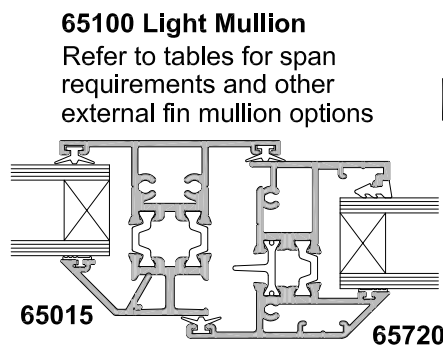
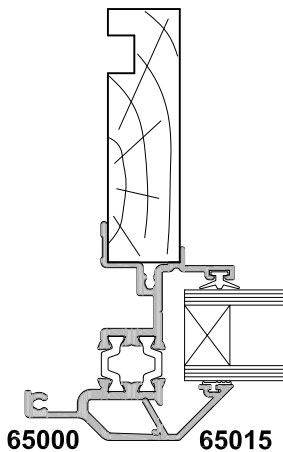
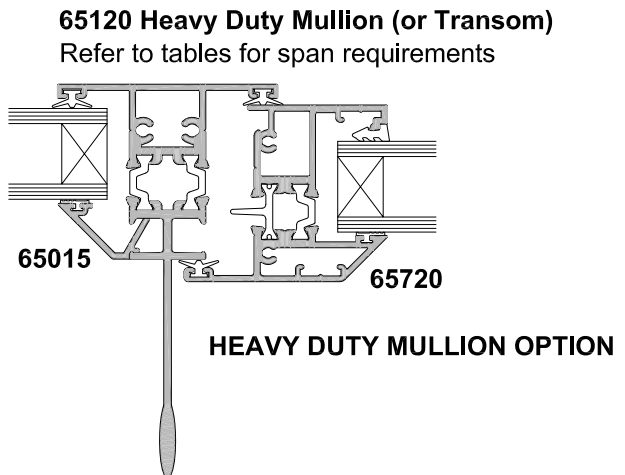
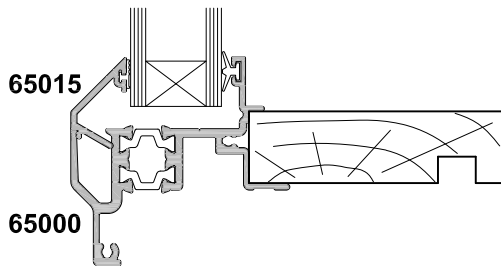
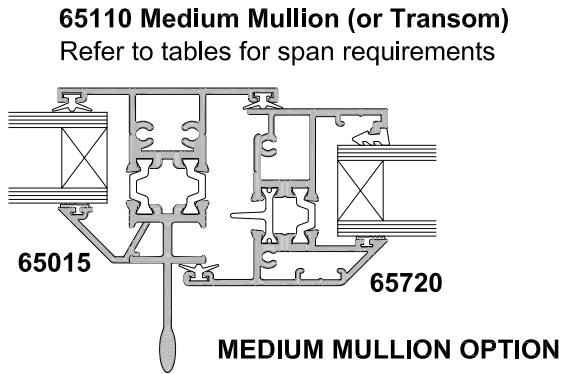
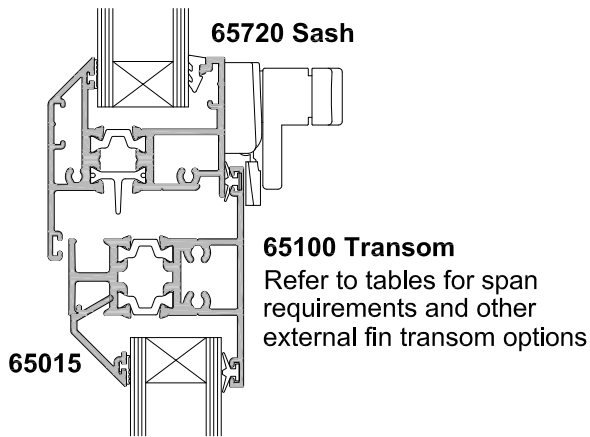
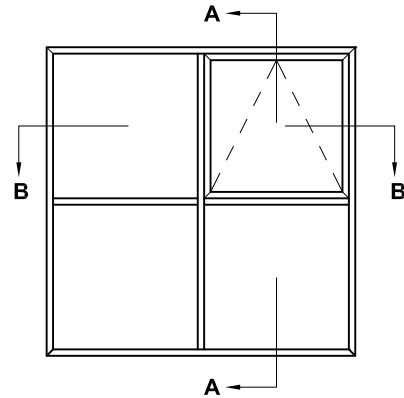
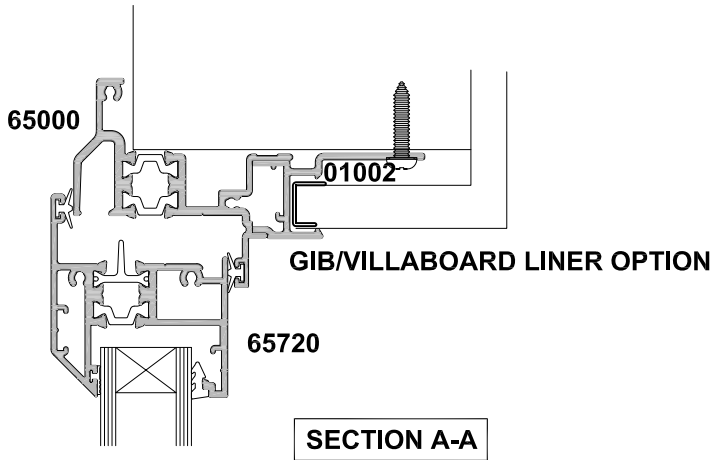


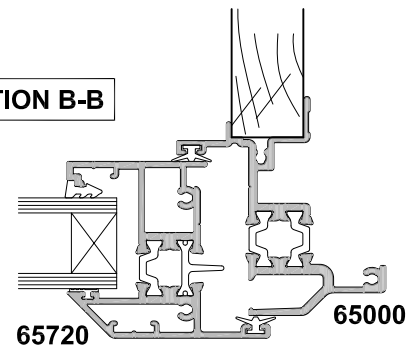
# ALTherm THERMAL HEART, AWNING WINDOW MULLION / TRANSOM OPTIONS

## CROSS SECTION

Cad Ref. ARTAW01-0 Scale 1:2 Date 26.01.18



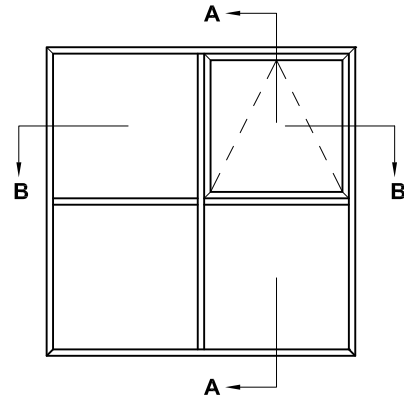
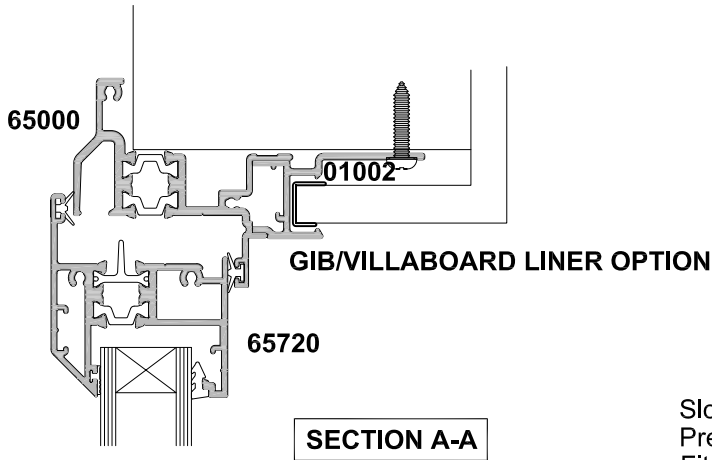
**SECTION B-B**



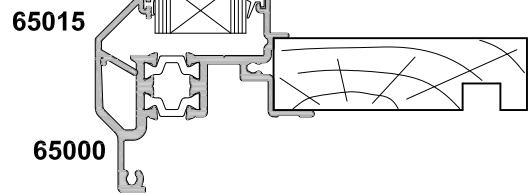
# ALTherm THERMAL HEART, AWNING WINDOW BEAD OPTIONS

## CROSS SECTION

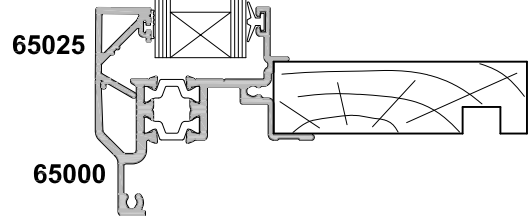
Cad Ref. ARTAW02-0 Scale 1:2 Date 26.01.18



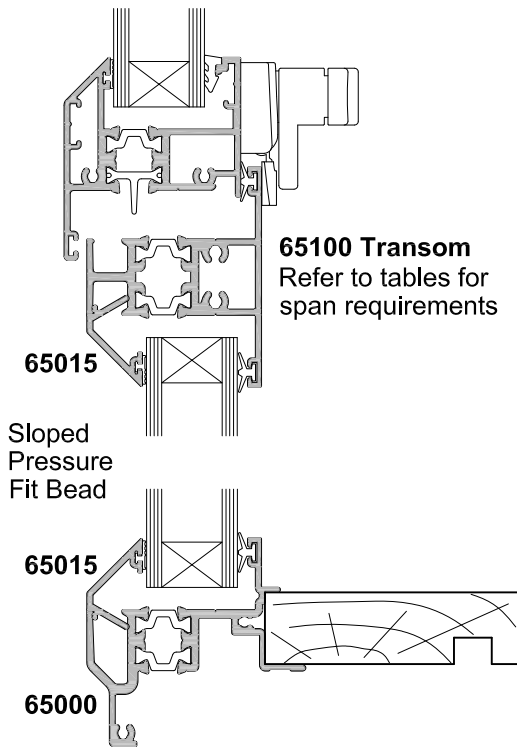
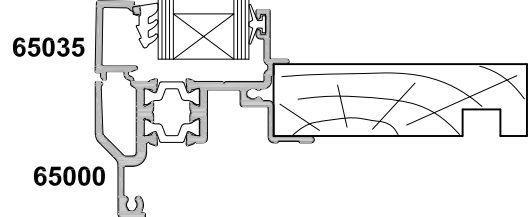
Sloped  
Pressure  
Fit Bead



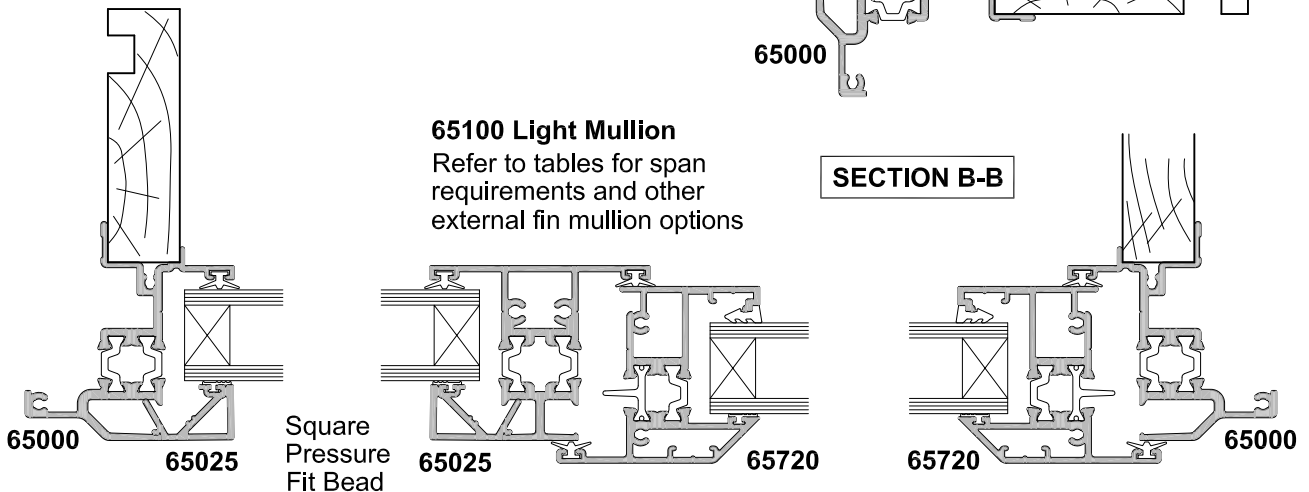
Square  
Pressure  
Fit Bead



Square  
Wedged  
Bead



**65100 Light Mullion**  
Refer to tables for span requirements and other external fin mullion options



# ALTherm THERMAL HEART, AWNING WINDOW 90° CORNER WINDOW, FACET WINDOW CROSS SECTION

Cad Ref. ARTAW03-0 Scale 1:2 Date 26.01.18

