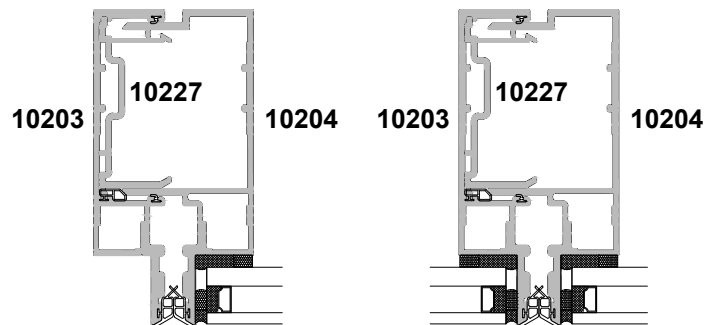
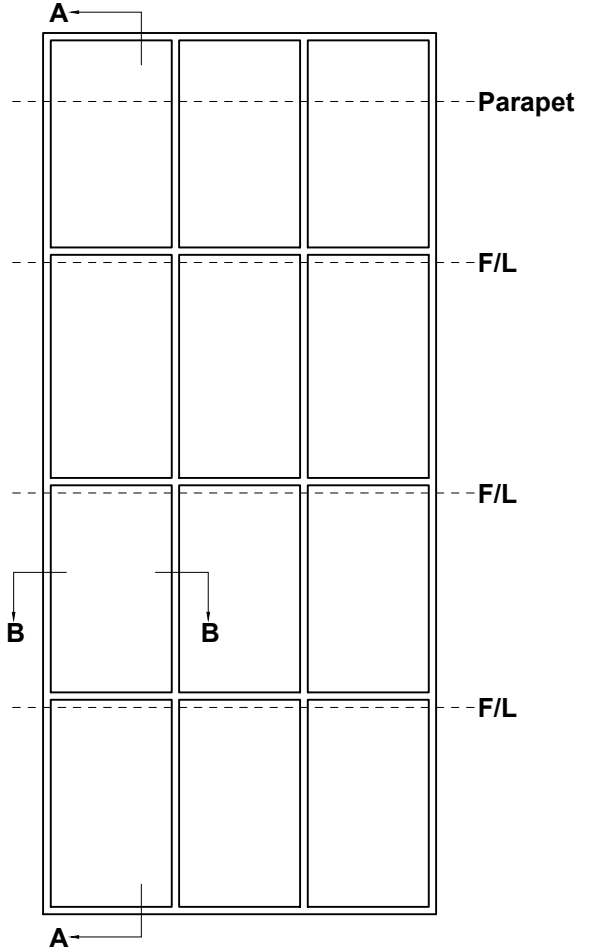
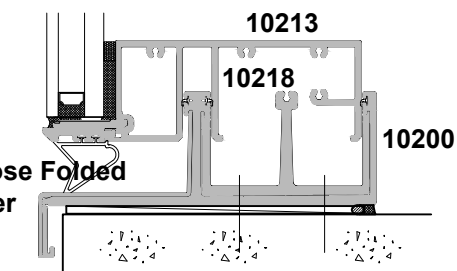
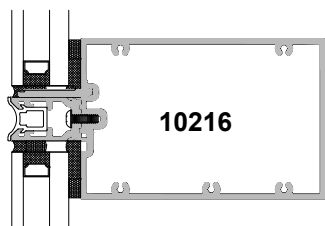
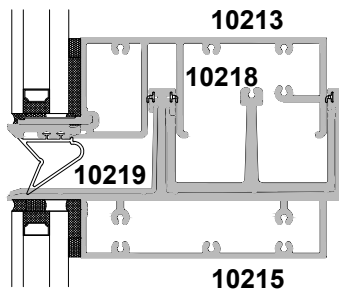


SECTION A-A

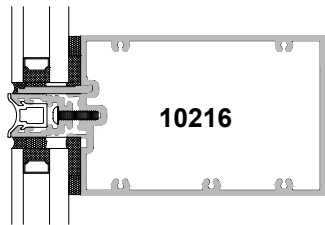
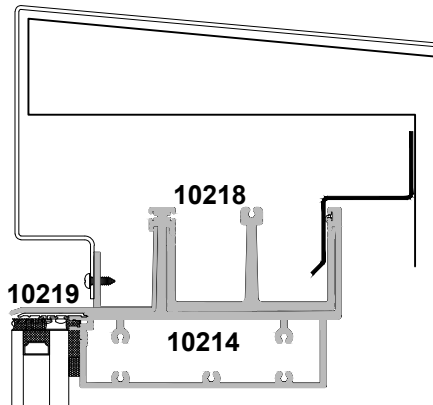


SECTION B-B

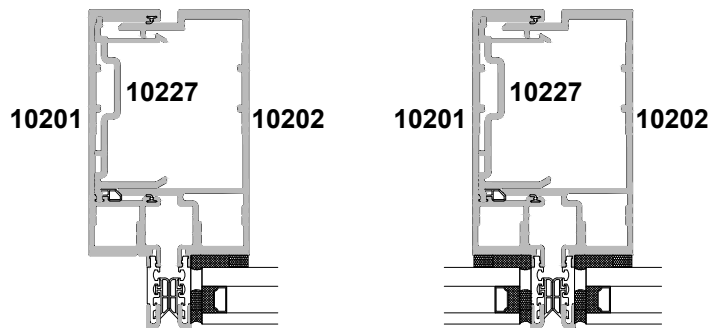
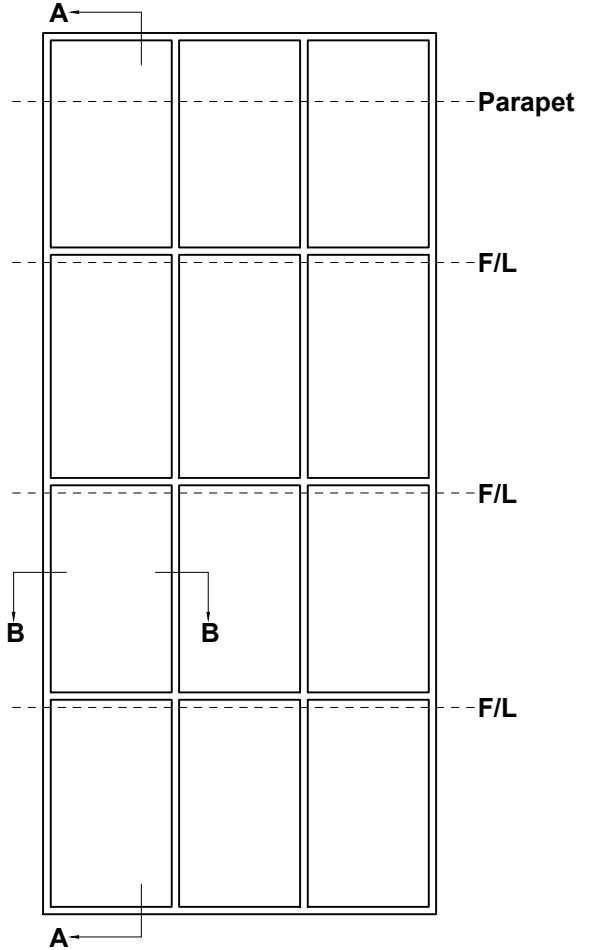
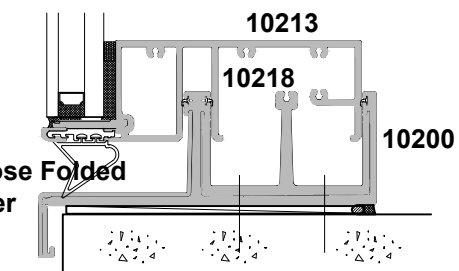
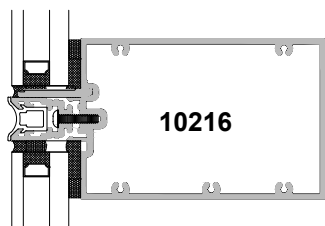
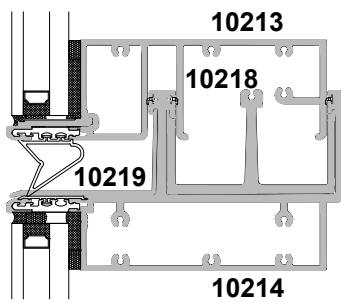
168MM STRUCTURAL GLAZE THERMAL CURTAIN WALL THERMALLY BROKEN

CROSS SECTION

Cad Ref. ACSTG02-0 Scale 1:4 Date 01.04.17



SECTION A-A



SECTION B-B