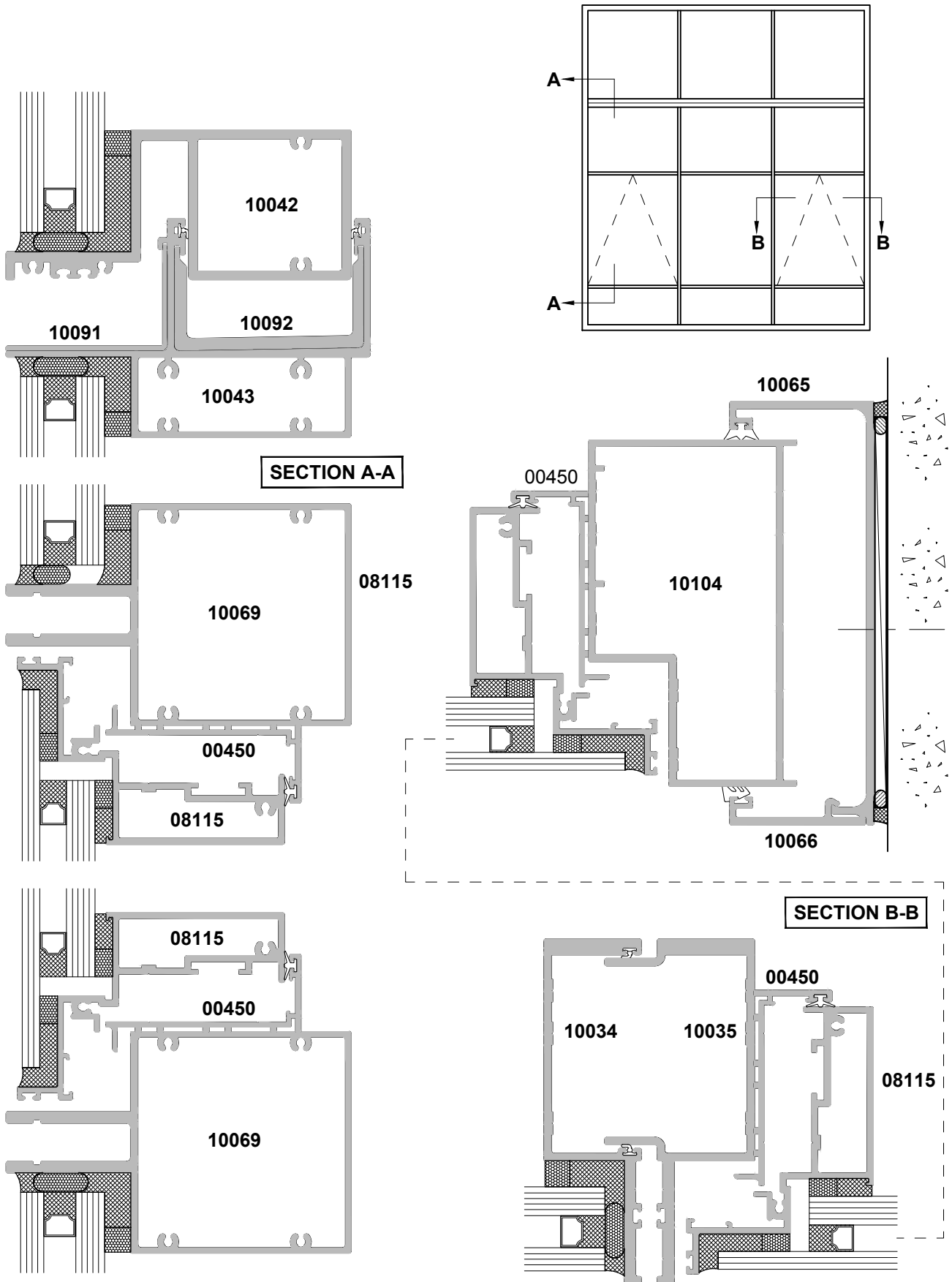


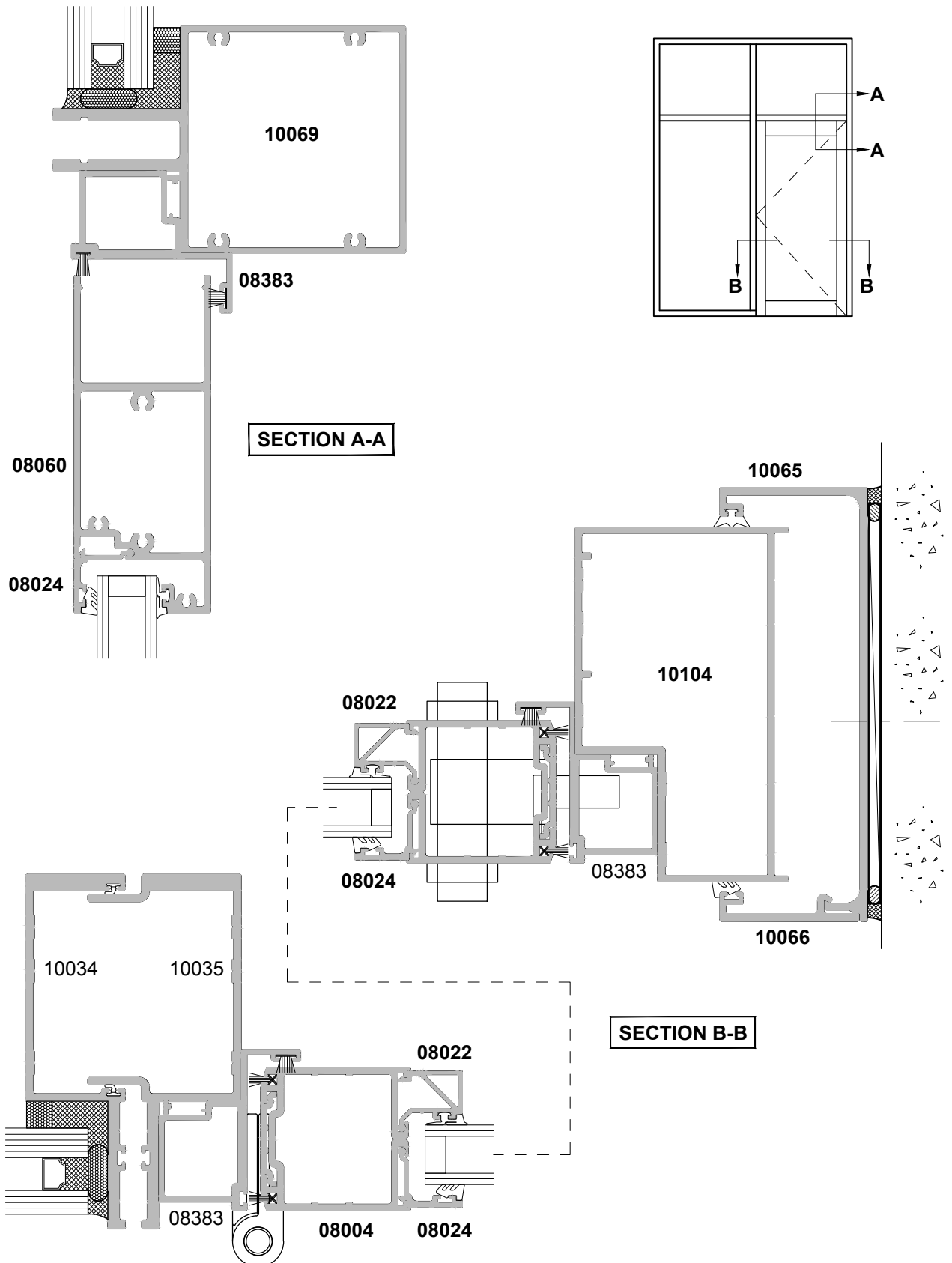
125MM STRUCTURAL GLAZED SYSTEM DOUBLE GLAZED, SEISMIC SYSTEM CROSS SECTION

Cad Ref. ACSG02-0 Scale 1:2 Date 01.04.17



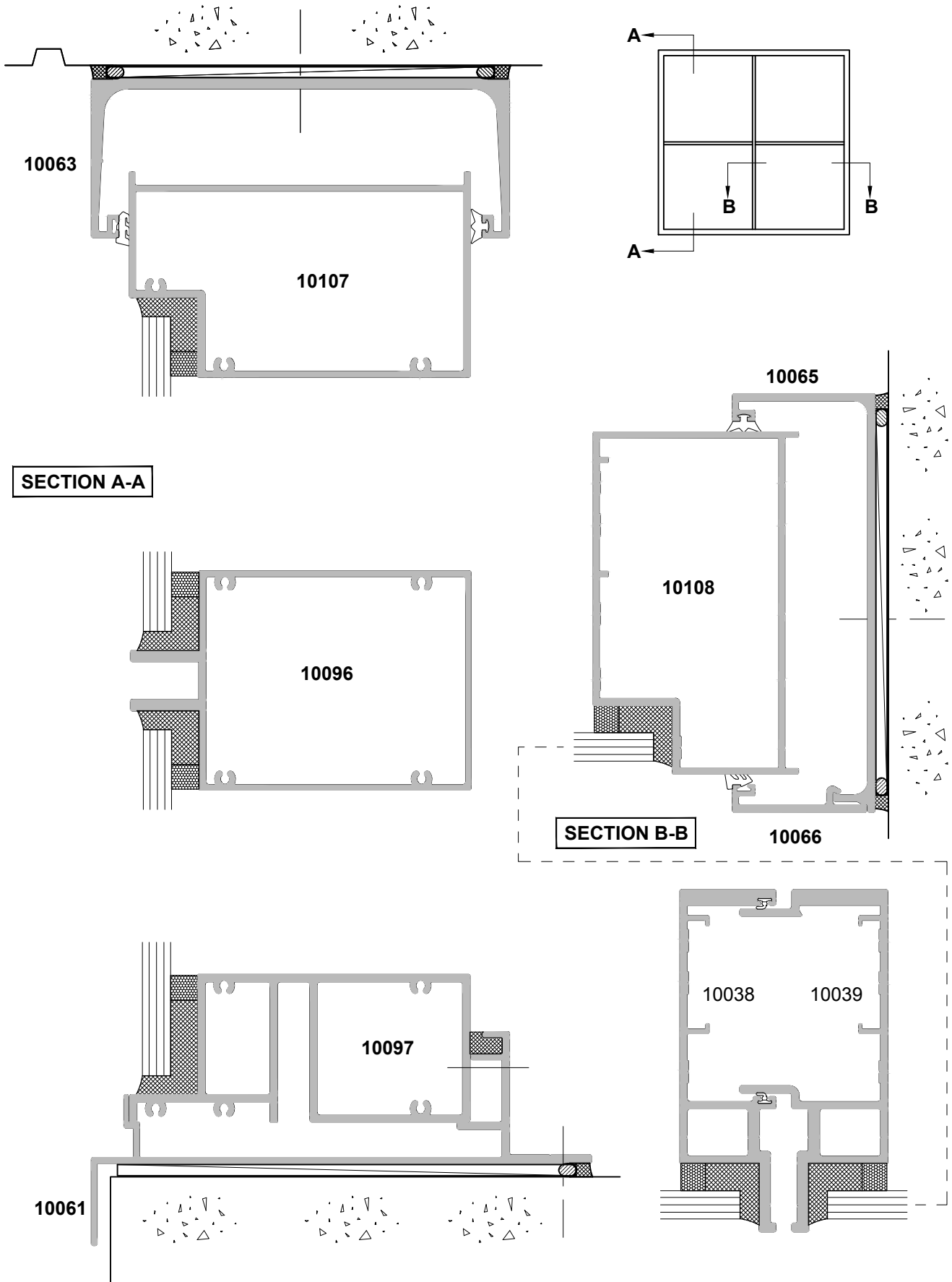
125MM STRUCTURAL GLAZED SYSTEM DOUBLE GLAZED, SEISMIC SYSTEM CROSS SECTION

Cad Ref. ACSG03-0 Scale 1:2 Date 01.04.17



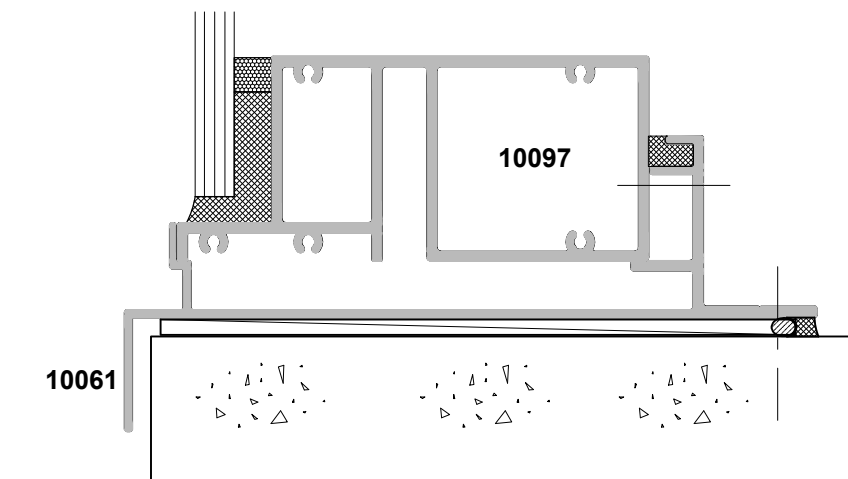
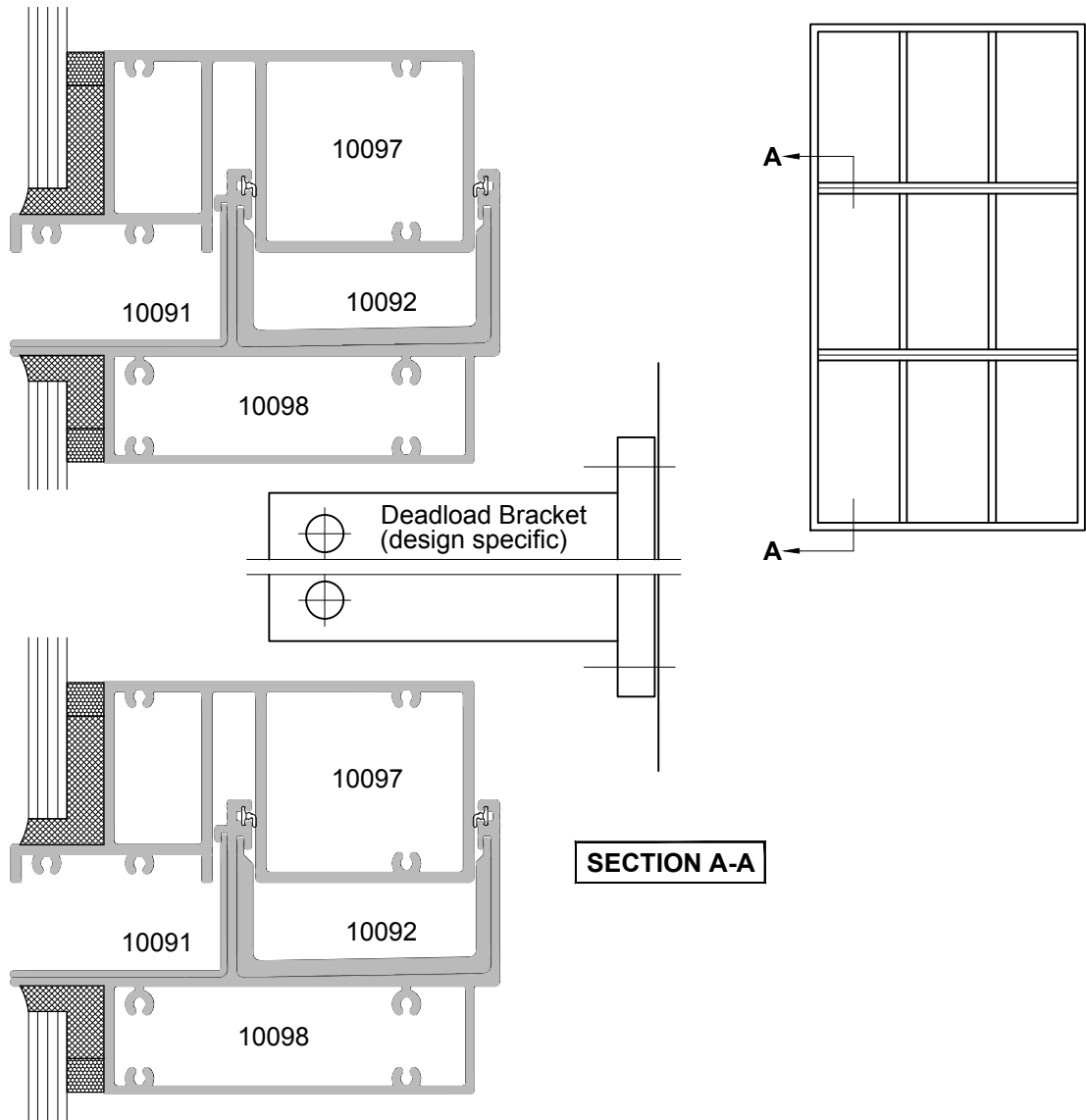
125MM STRUCTURAL GLAZED SYSTEM SINGLE GLAZED, SEISMIC SYSTEM CROSS SECTION

Cad Ref. ACSG04-0 Scale 1:2 Date 01.04.17



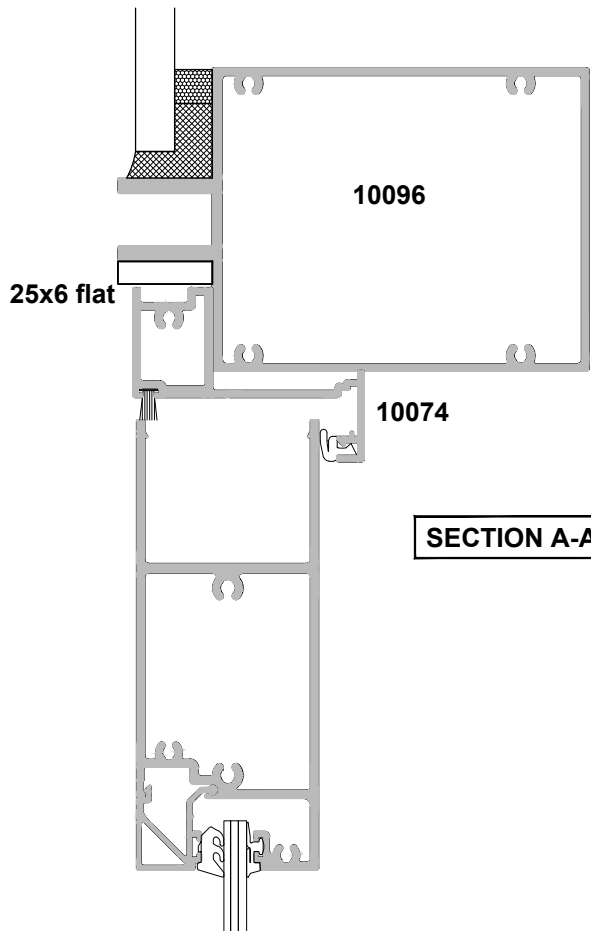
125MM STRUCTURAL GLAZED SYSTEM SINGLE GLAZED, SEISMIC SYSTEM CROSS SECTION

Cad Ref. ACSG05-0 Scale 1:2 Date 01.04.17

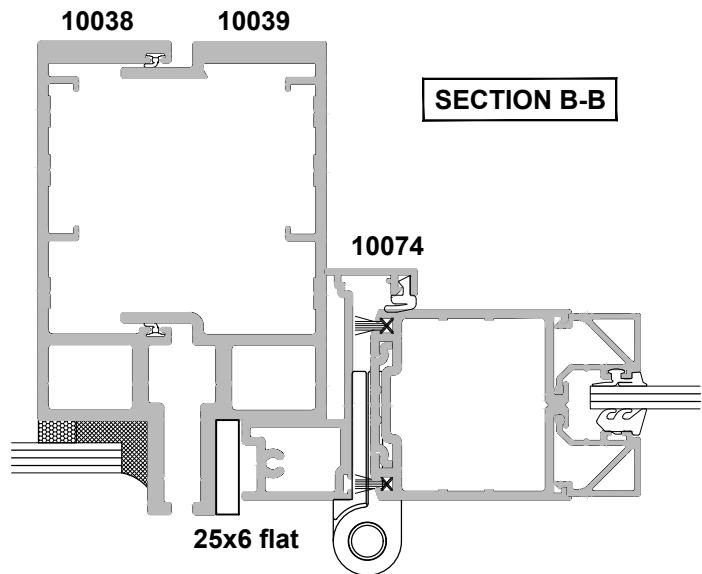
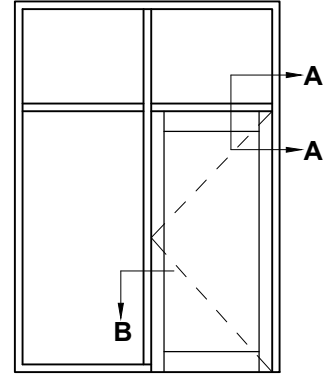


125MM STRUCTURAL GLAZED SYSTEM SINGLE GLAZED, DOOR ADAPTOR CROSS SECTION

Cad Ref. ACSG06-0 Scale 1:2 Date 01.04.17



SECTION A-A

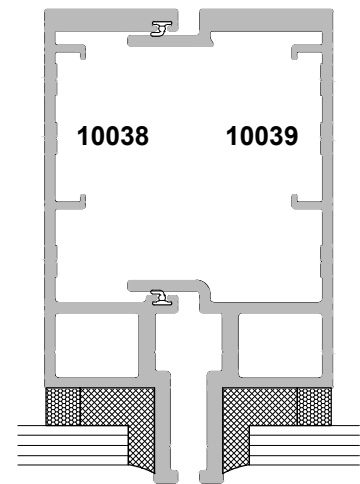
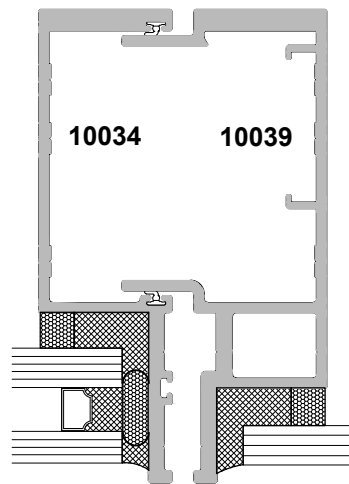
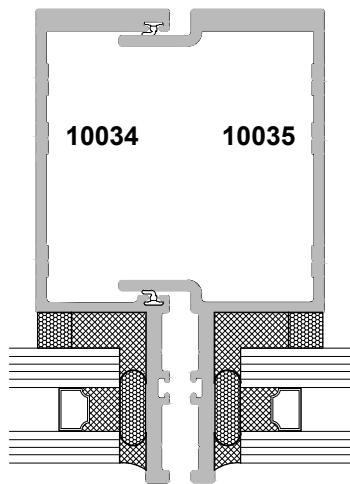


SECTION B-B

125MM STRUCTURAL GLAZED SYSTEM GLAZING OPTIONS

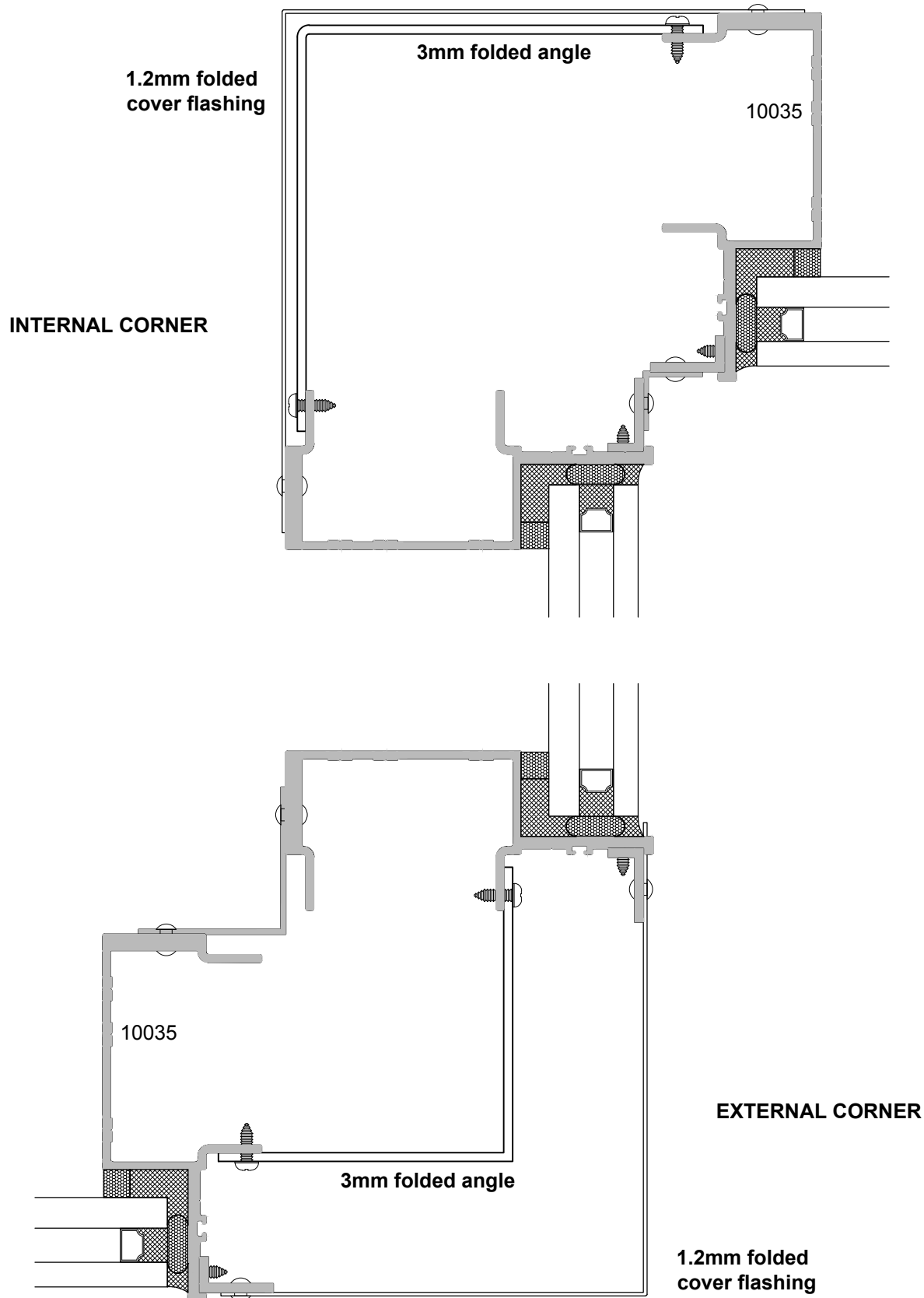
CROSS SECTION

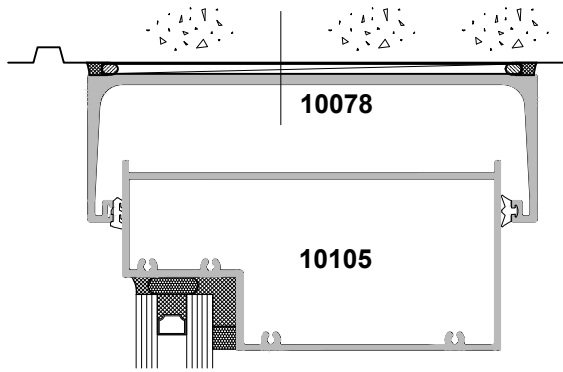
Cad Ref. ACSG07-0 Scale 1:2 Date 01.04.17



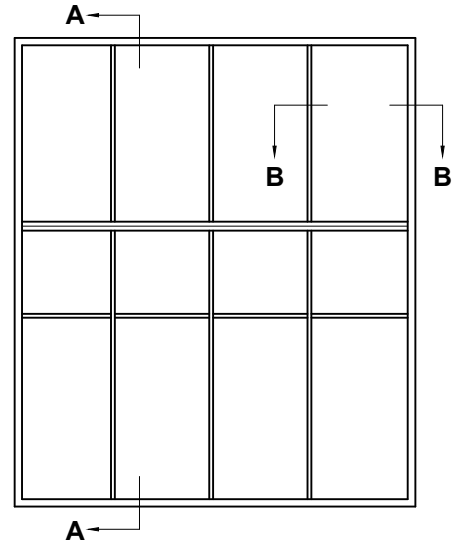
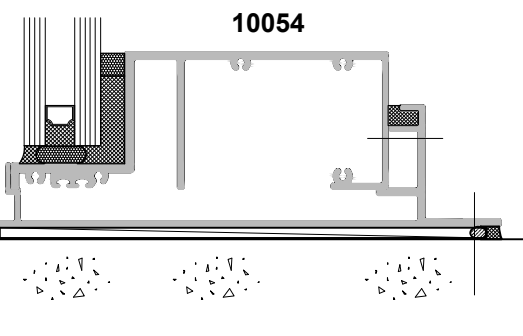
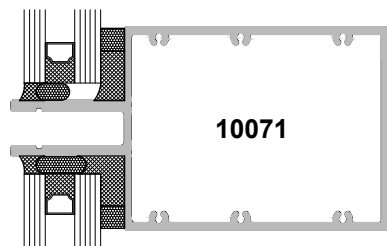
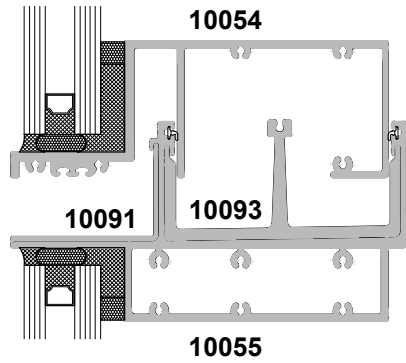
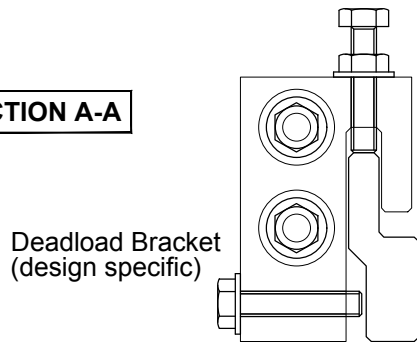
**125MM STRUCTURAL GLAZED SYSTEM
DOUBLE GLAZED 90° CORNER MULLIONS
CROSS SECTION**

Cad Ref. ACSG08-0 Scale 1:2 Date 01.04.17

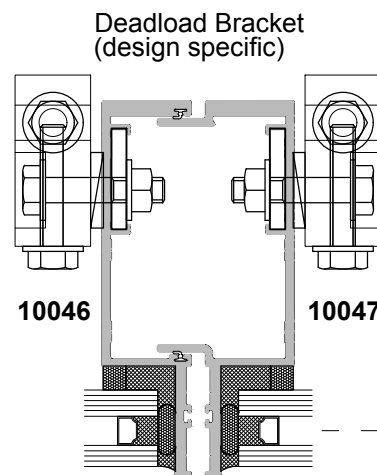
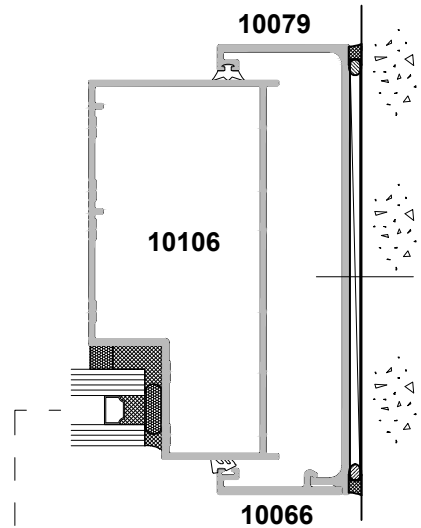




SECTION A-A

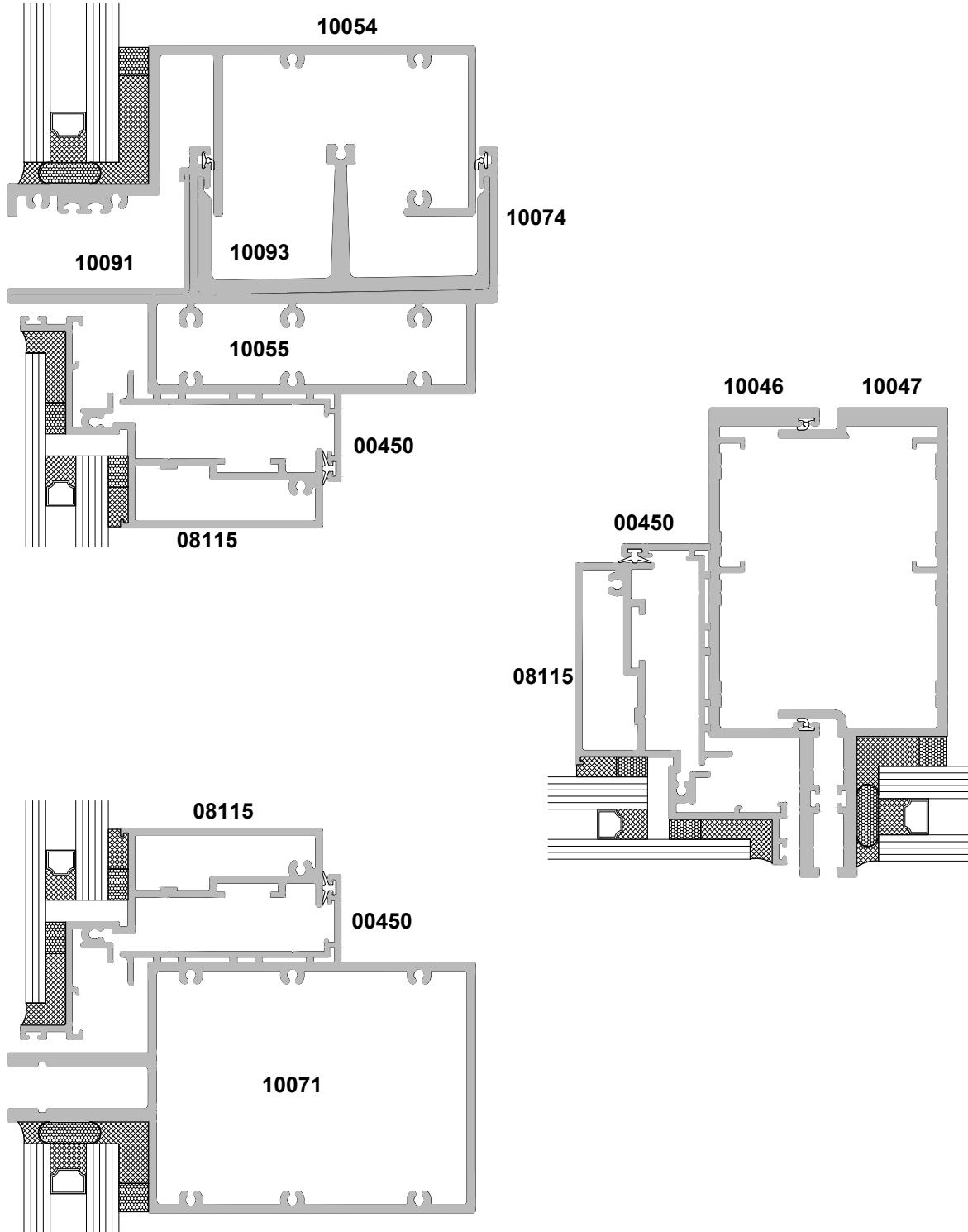


SECTION B-B



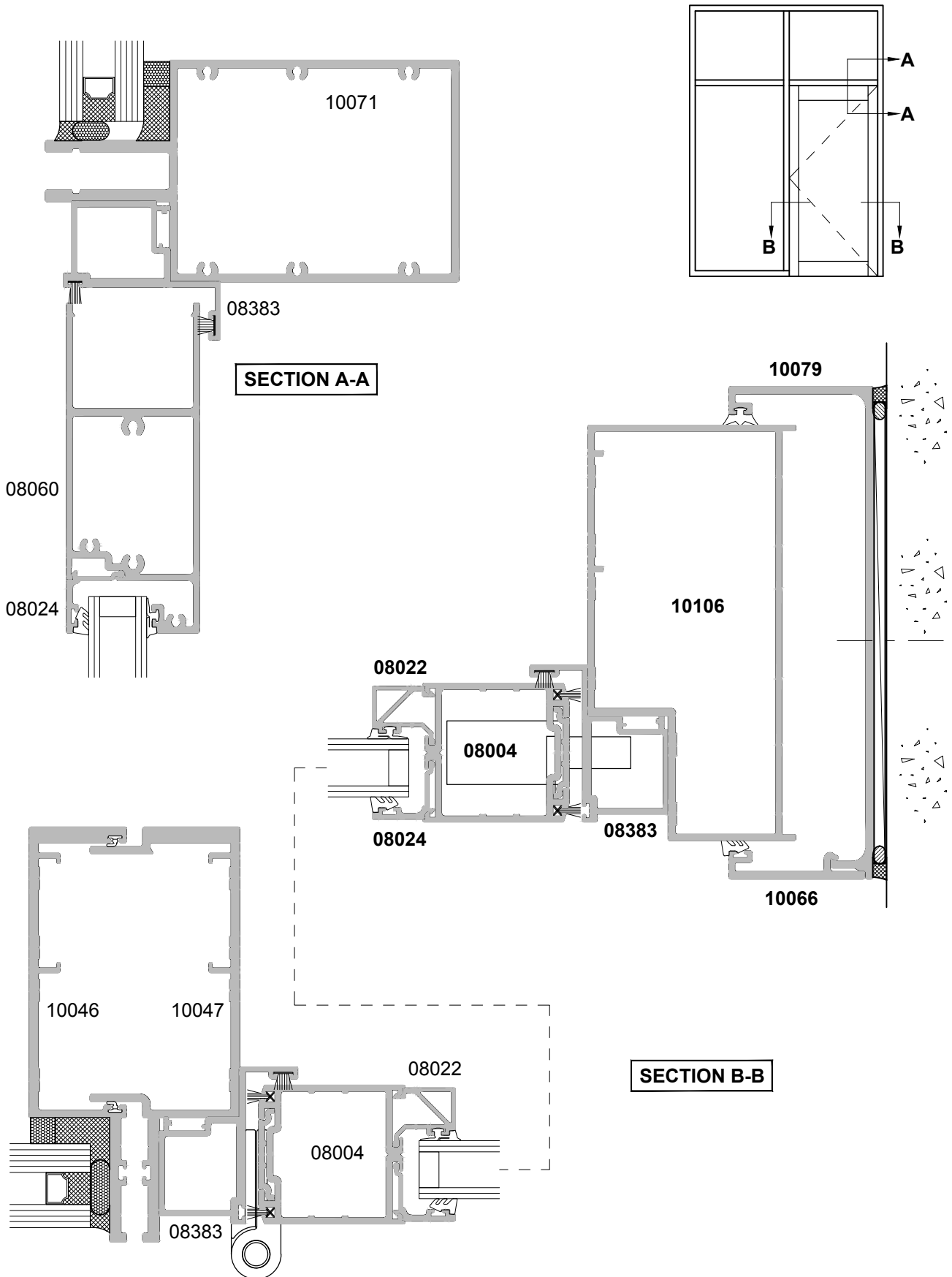
150MM STRUCTURAL GLAZED SYSTEM DOUBLE GLAZED, SASH ADAPTOR CROSS SECTION

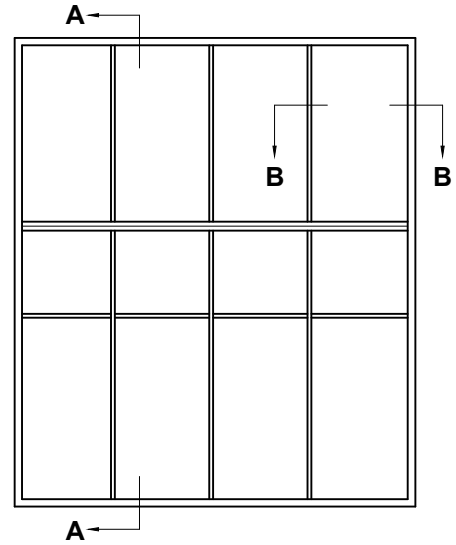
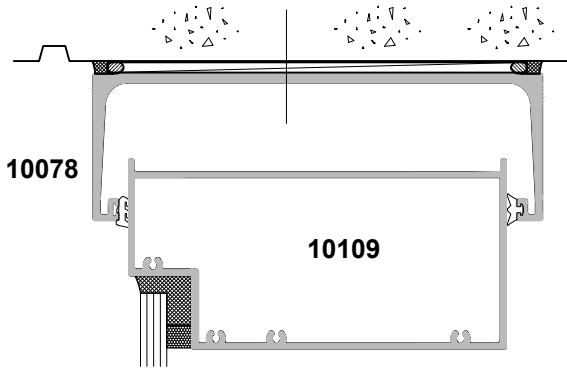
Cad Ref. ACSG11-0 Scale 1:2 Date 01.04.17



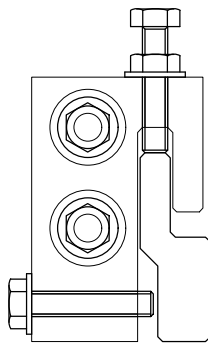
150MM STRUCTURAL GLAZED SYSTEM DOUBLE GLAZED, SEISMIC SYSTEM CROSS SECTION

Cad Ref. ACSG12-0 Scale 1:2 Date 01.04.17

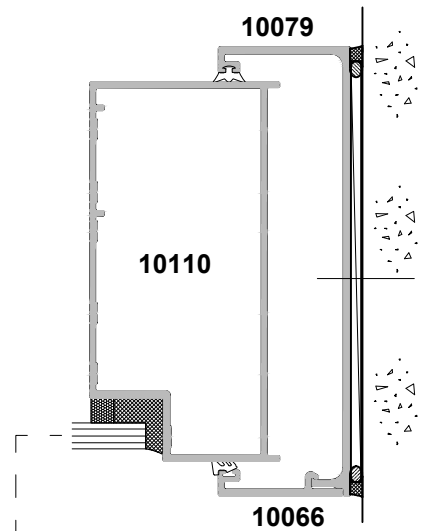
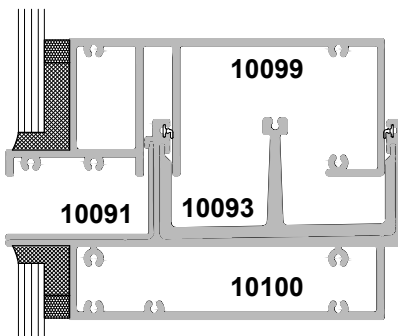




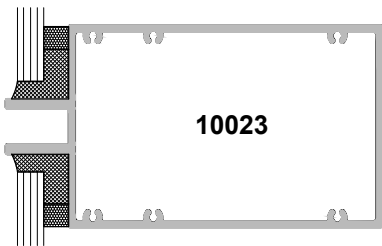
SECTION A-A



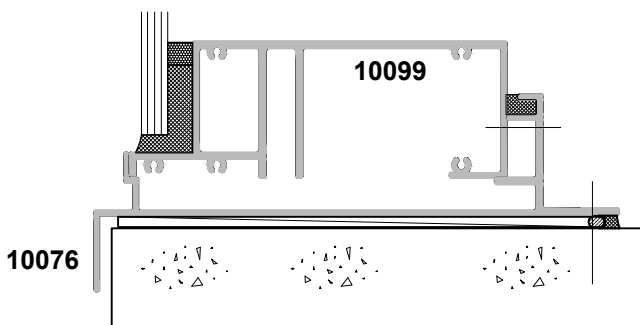
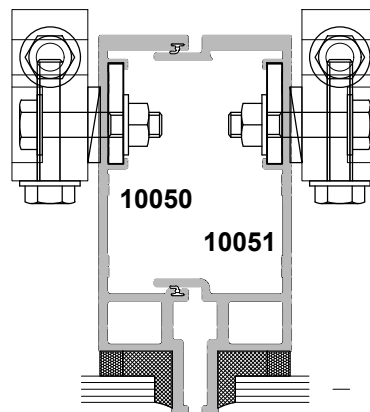
Deadload Bracket
(design specific)



SECTION B-B

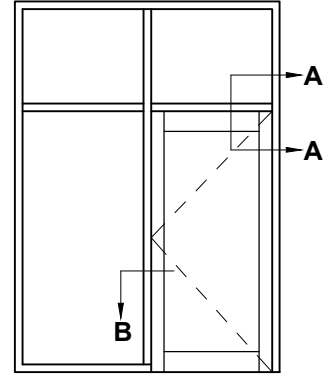
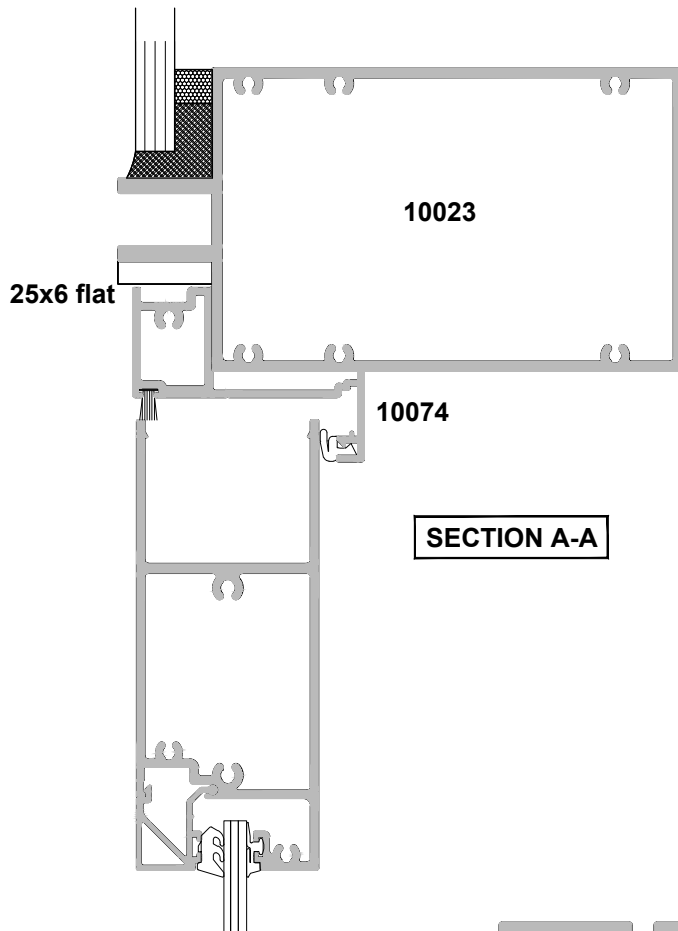


Deadload Bracket
(design specific)

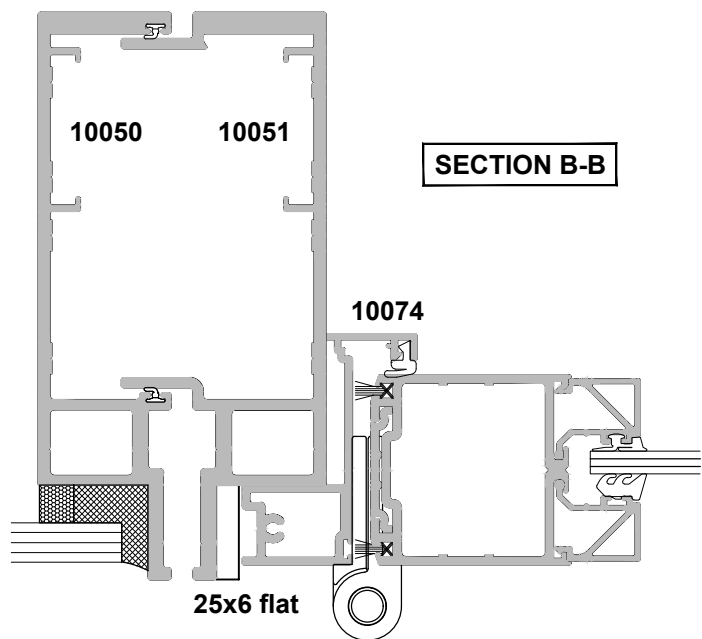


150MM STRUCTURAL GLAZED SYSTEM SINGLE GLAZED, DOOR ADAPTOR CROSS SECTION

Cad Ref. ACSG14-0 Scale 1:2 Date 01.04.17



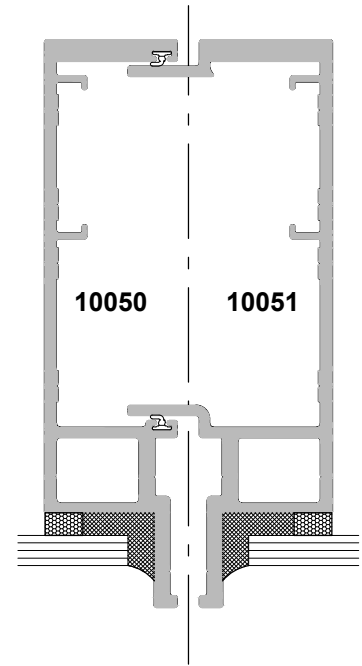
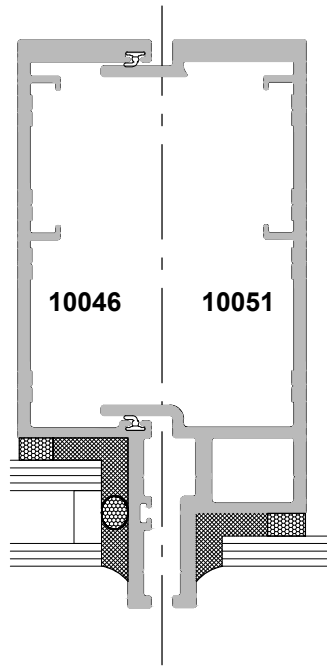
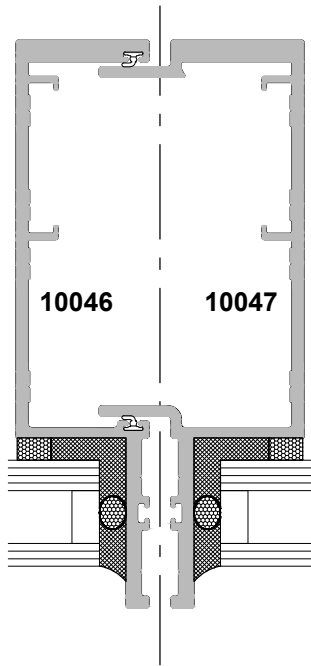
SECTION A-A



SECTION B-B

150MM STRUCTURAL GLAZED SYSTEM DOUBLE TO SINGLE GLAZED MULLIONS CROSS SECTION

Cad Ref. ACSG15-0 Scale 1:2 Date 01.04.17



**150MM STRUCTURAL GLAZED SYSTEM
DOUBLE GLAZED 90° CORNER MULLIONS
CROSS SECTION**

Cad Ref. ACSG16-0 Scale 1:2 Date 01.04.17

