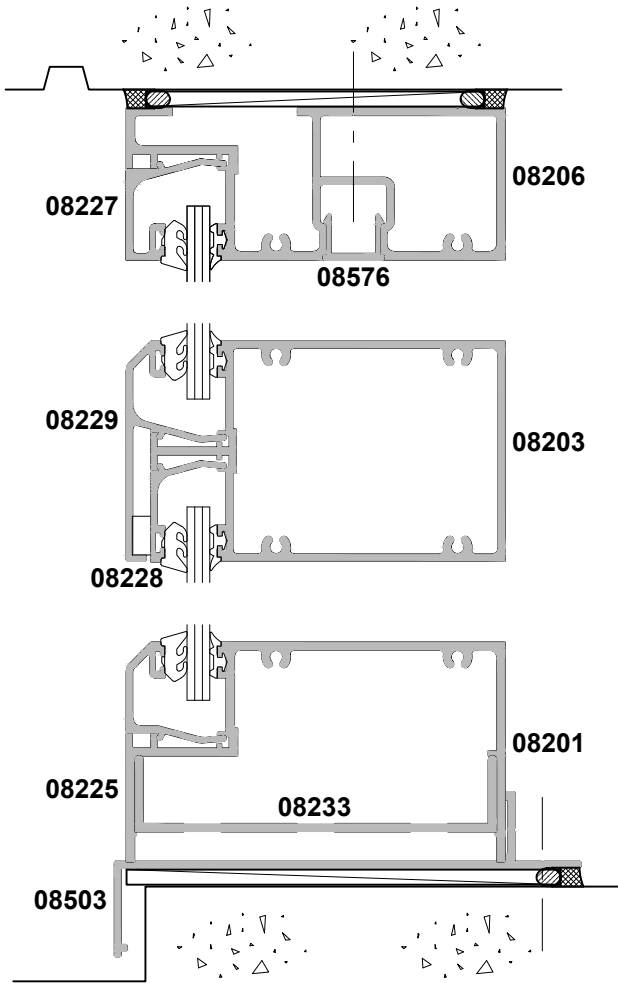
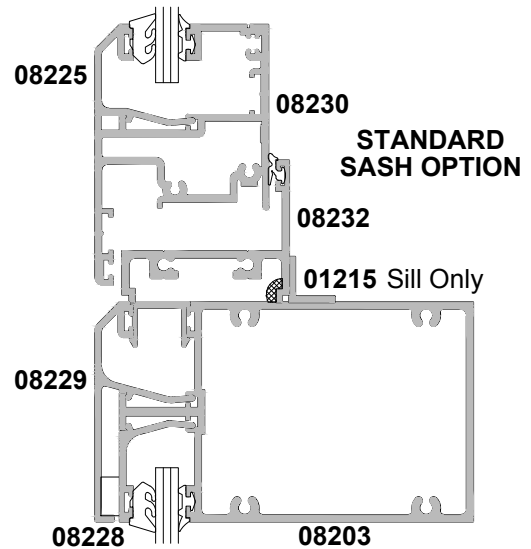
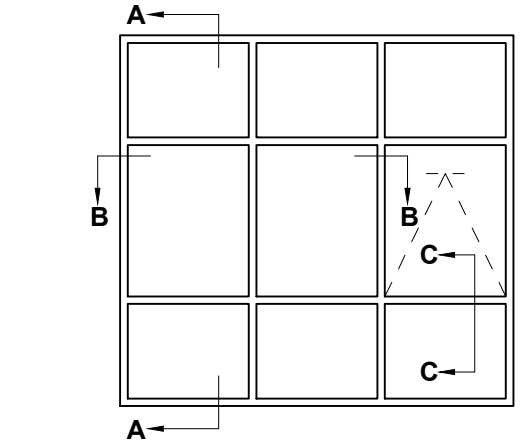


100MM FLUSHGLAZE SINGLE GLAZED, FIXED SYSTEM CROSS SECTION

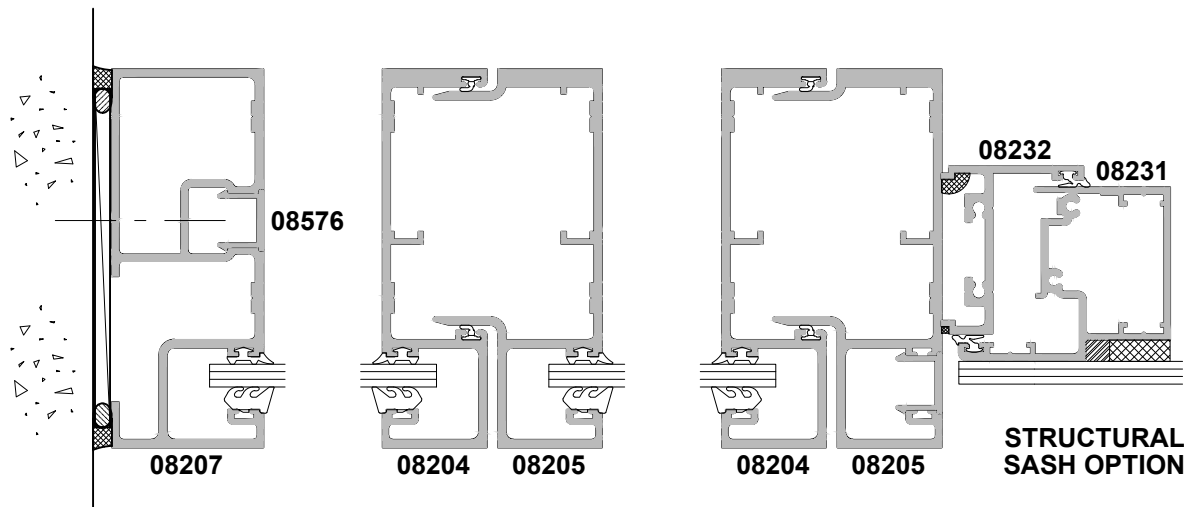
Cad Ref. ACFG01-0 Scale 1:2 Date 01.08.16



SECTION A-A



SECTION C-C



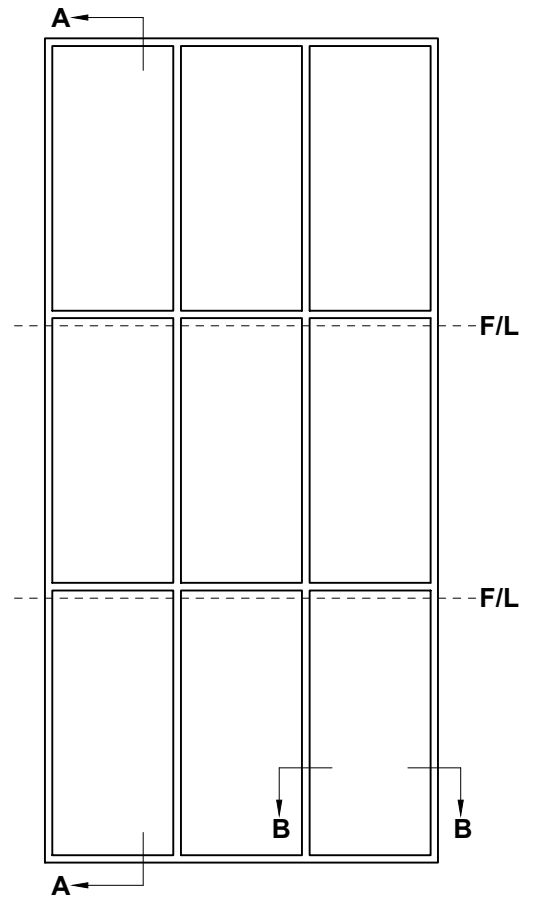
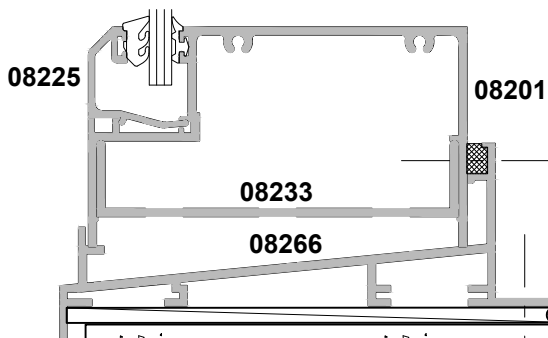
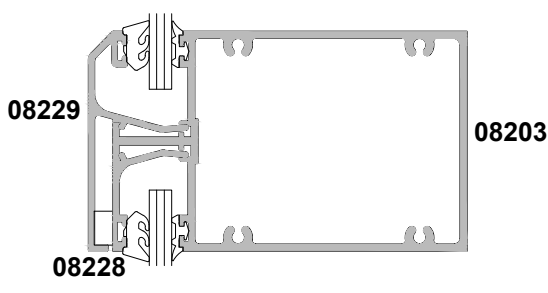
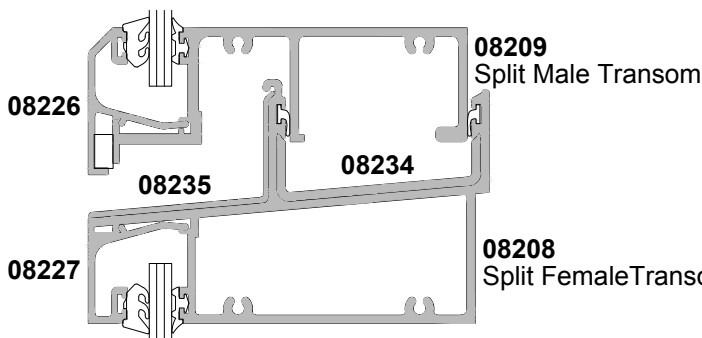
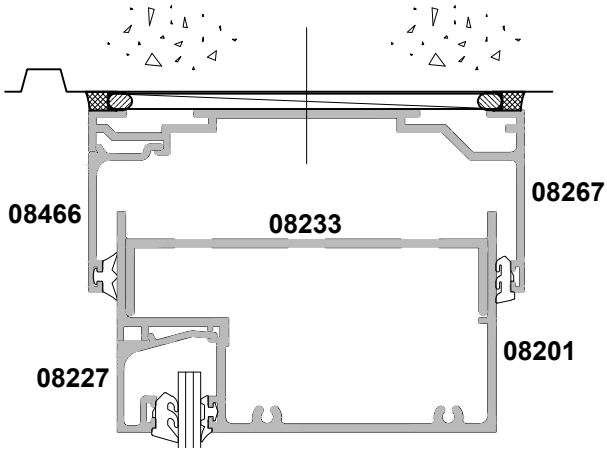
SECTION B-B

**STRUCTURAL
SASH OPTION**

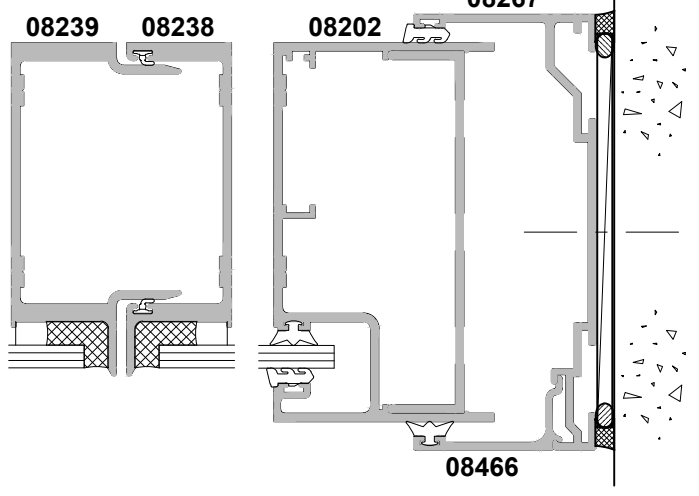
100MM FLUSHGLAZE, SINGLE GLAZED SEISMIC SYSTEM, STRUCTURALLY GLAZED MULLION CROSS SECTION

Cad Ref. ACFG02-0 Scale 1:2 Date 01.08.16

SECTION A-A



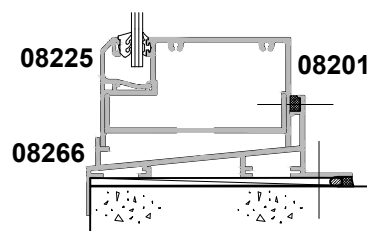
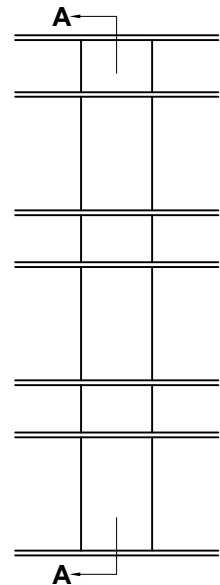
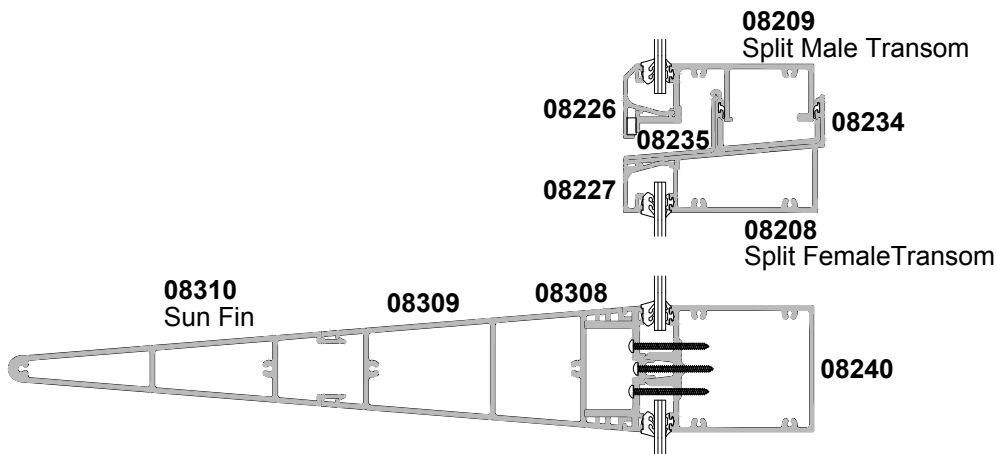
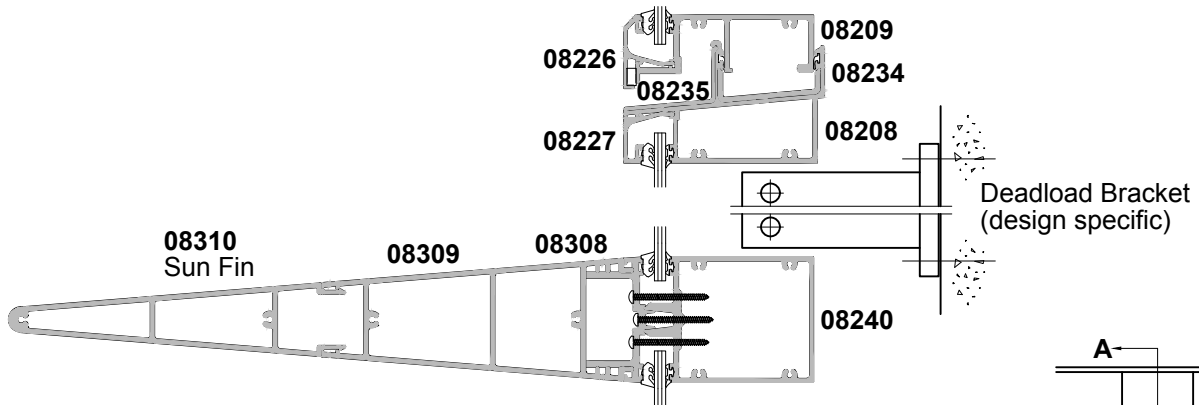
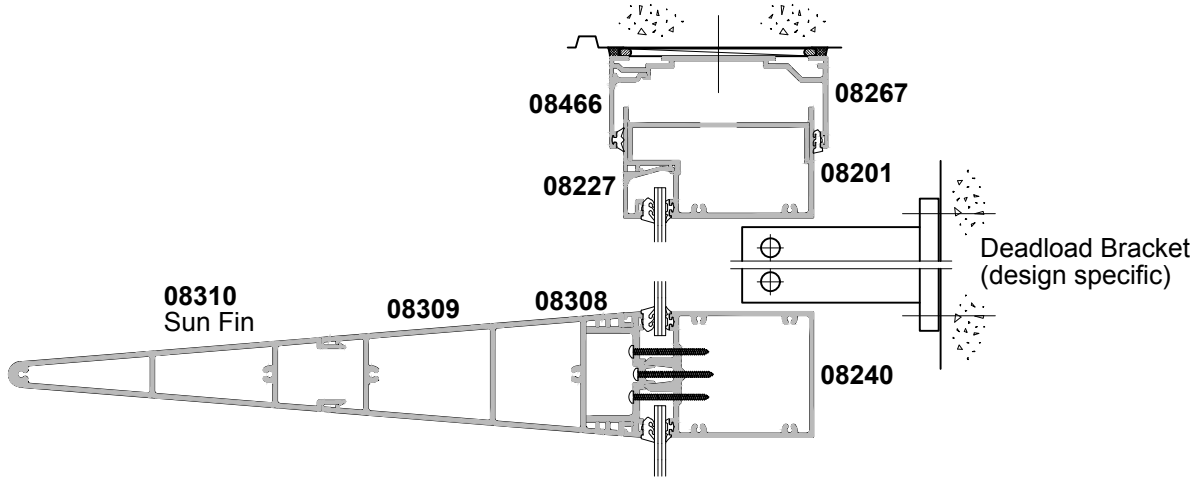
STRUCTURAL MULLION OPTION



SECTION B-B

100MM FLUSHGLAZE SUN FINS, SINGLE GLAZED CROSS SECTION

Cad Ref. ACFG03-0 Scale 1:4 Date 01.08.16

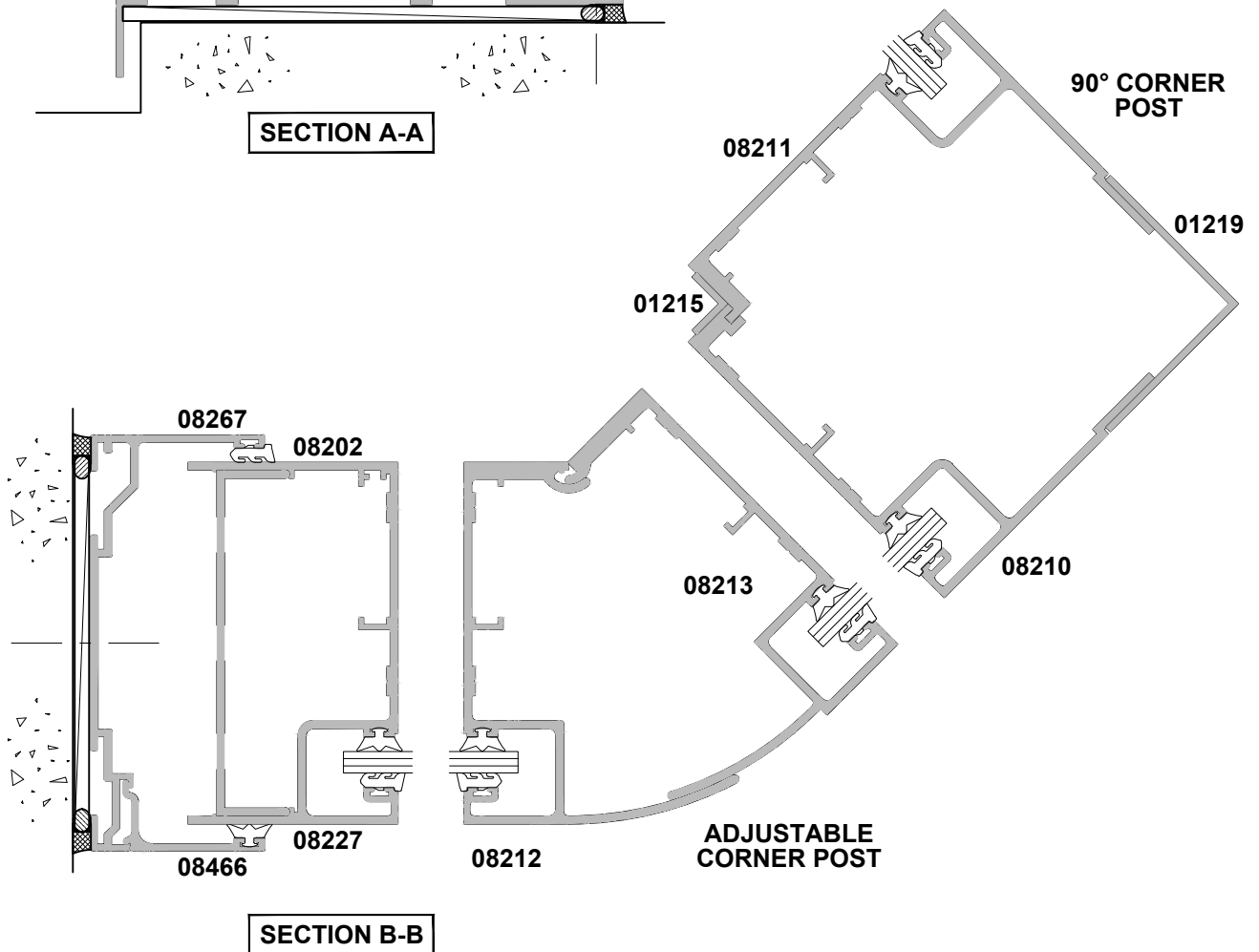
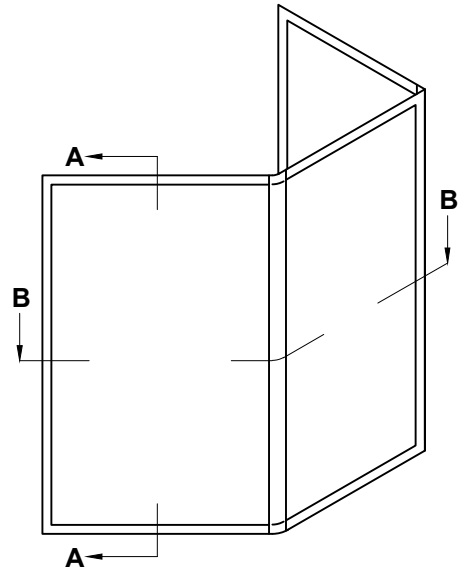
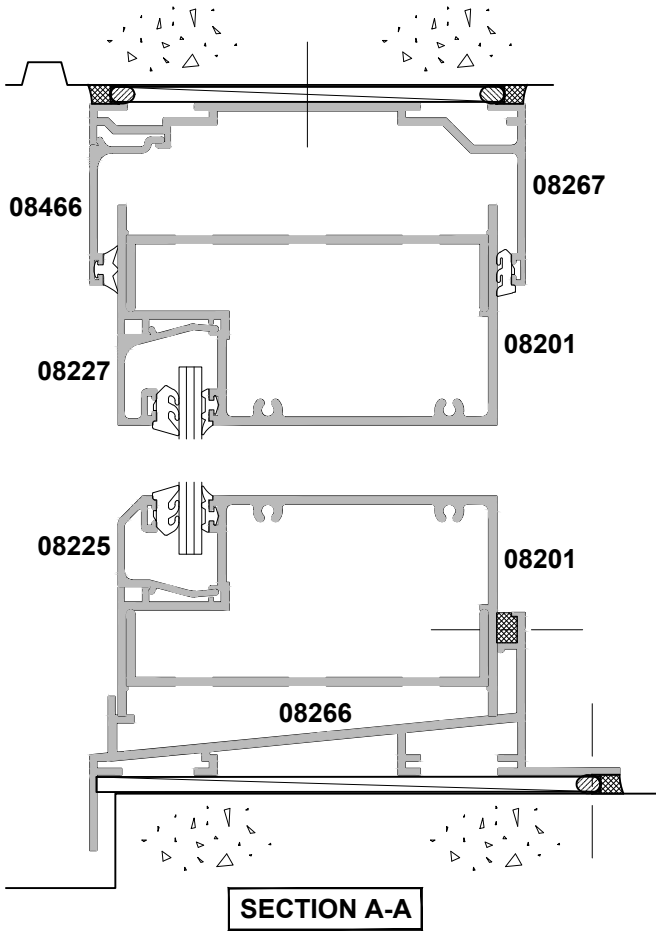


SECTION A-A

100MM FLUSHGLAZE, SINGLE GLAZED SEISMIC SYSTEM, CORNER DETAILS

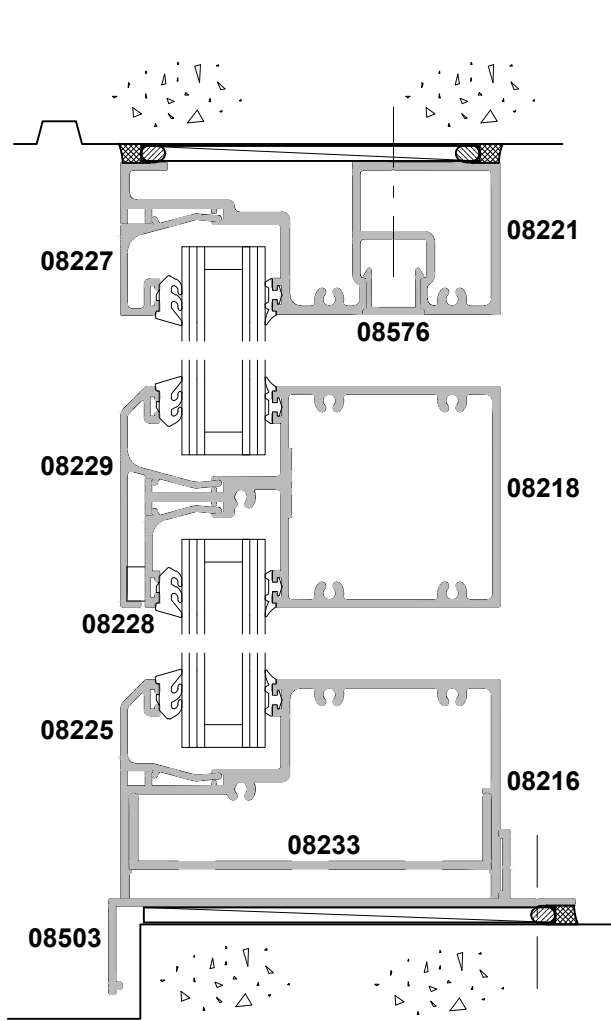
CROSS SECTION

Cad Ref. ACFG04-0 Scale 1:2 Date 01.08.16

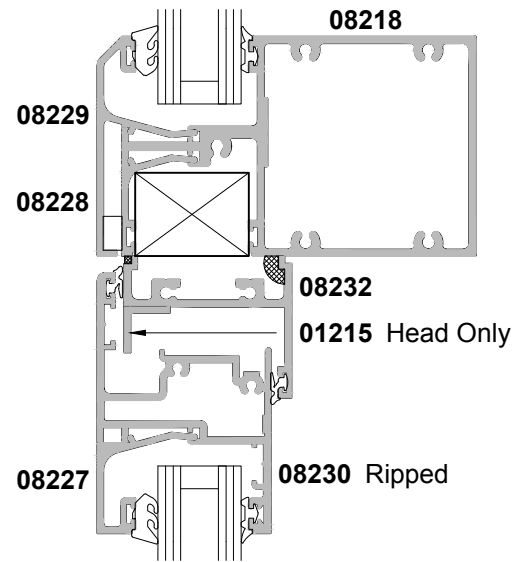
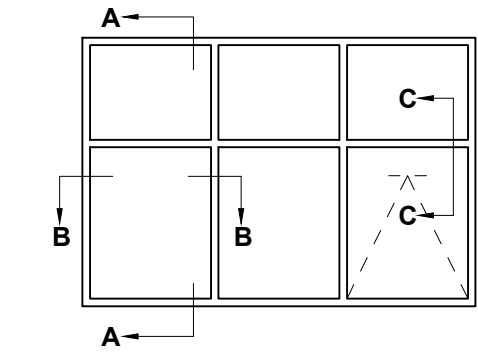


100MM FLUSHGLAZE DOUBLE GLAZED, FIXED SYSTEM CROSS SECTION

Cad Ref. ACFG05-0 Scale 1:2 Date 01.08.16

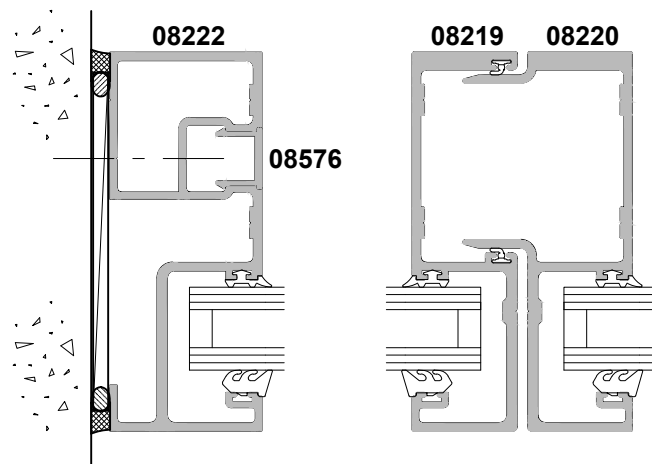


SECTION A-A



SASH OPTION

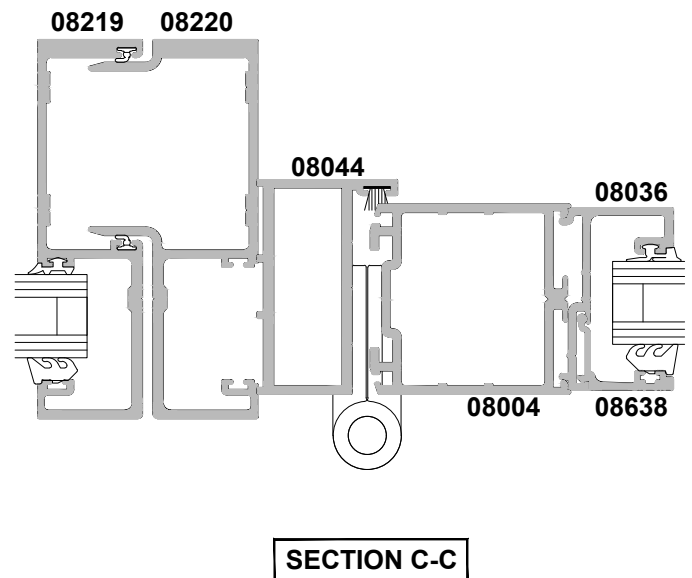
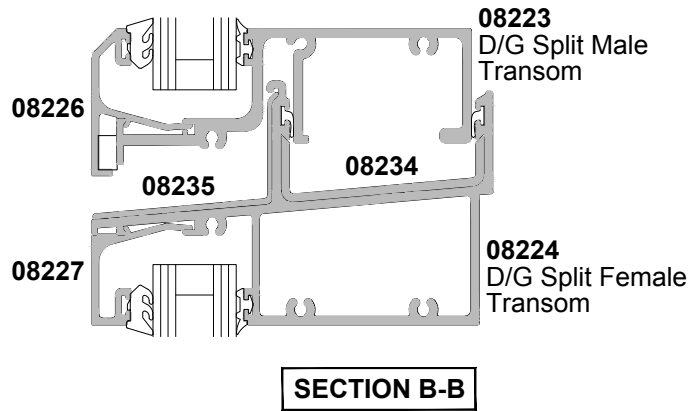
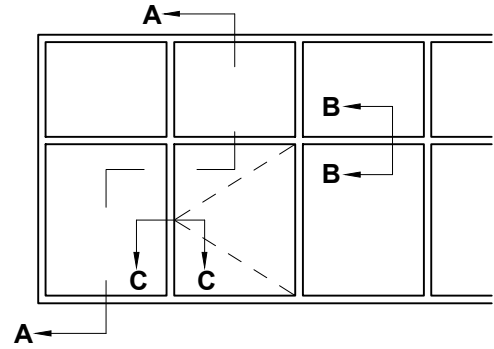
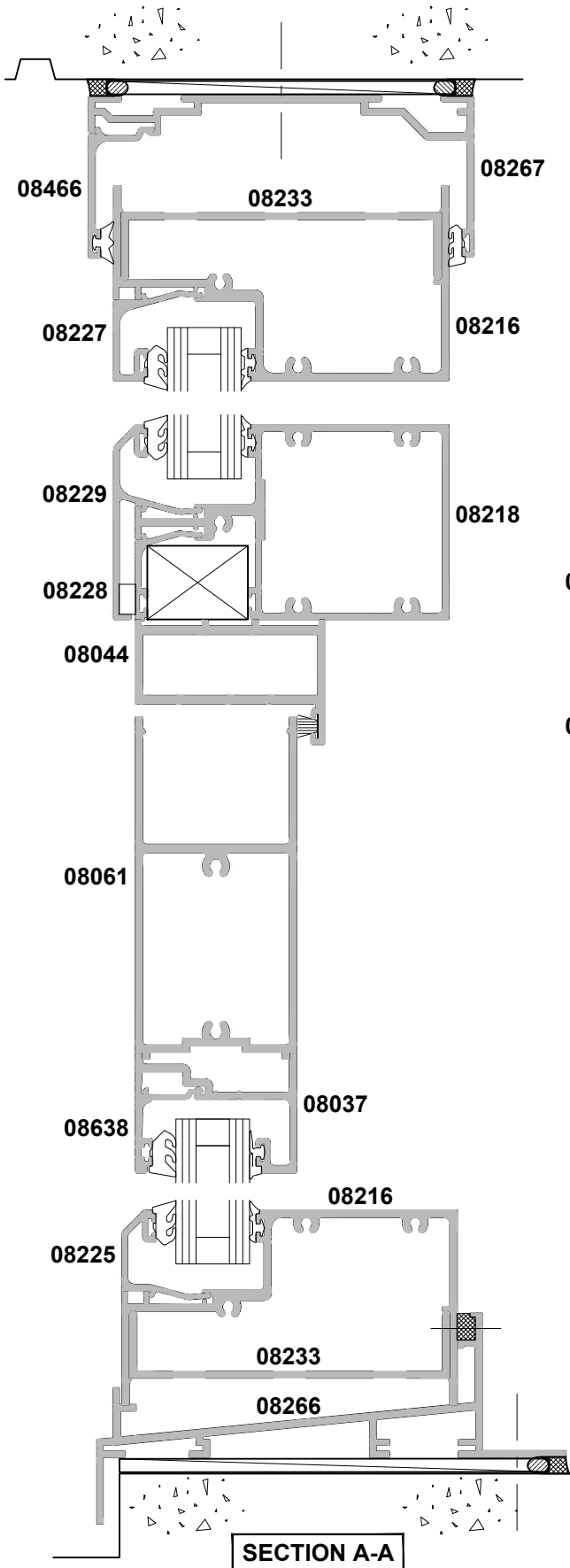
SECTION C-C



SECTION B-B

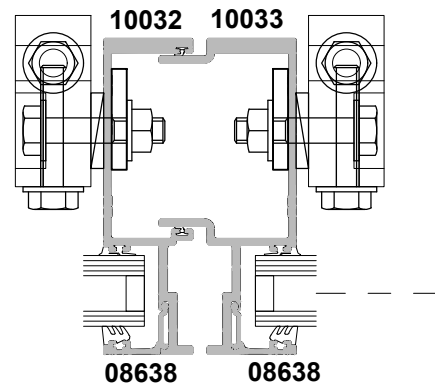
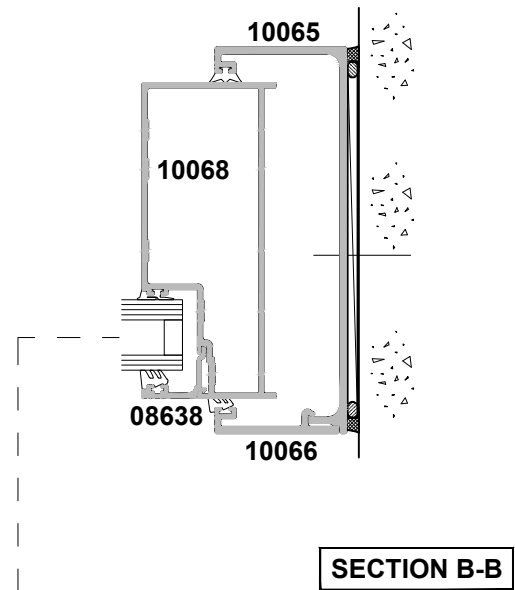
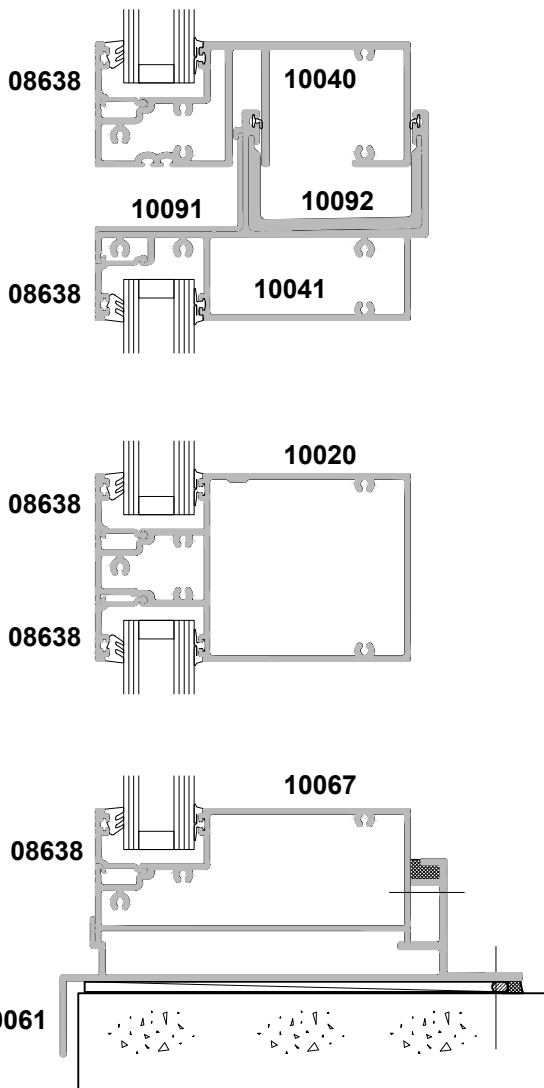
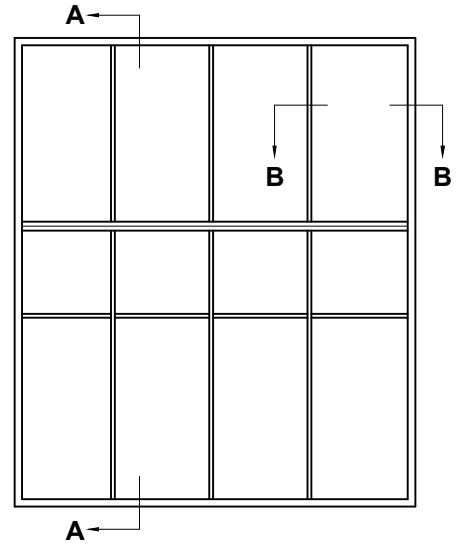
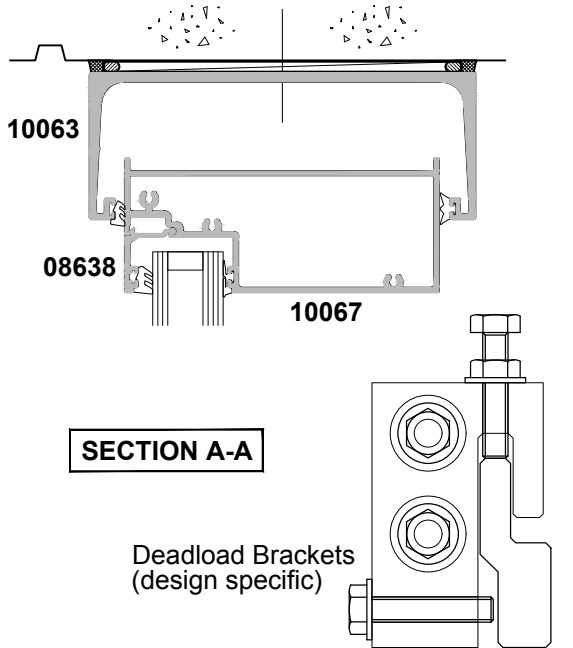
100MM FLUSHGLAZE, DOUBLE GLAZED SEISMIC SYSTEM, HINGED DOOR CROSS SECTION

Cad Ref. ACFG06-0 Scale 1:2 Date 01.08.16



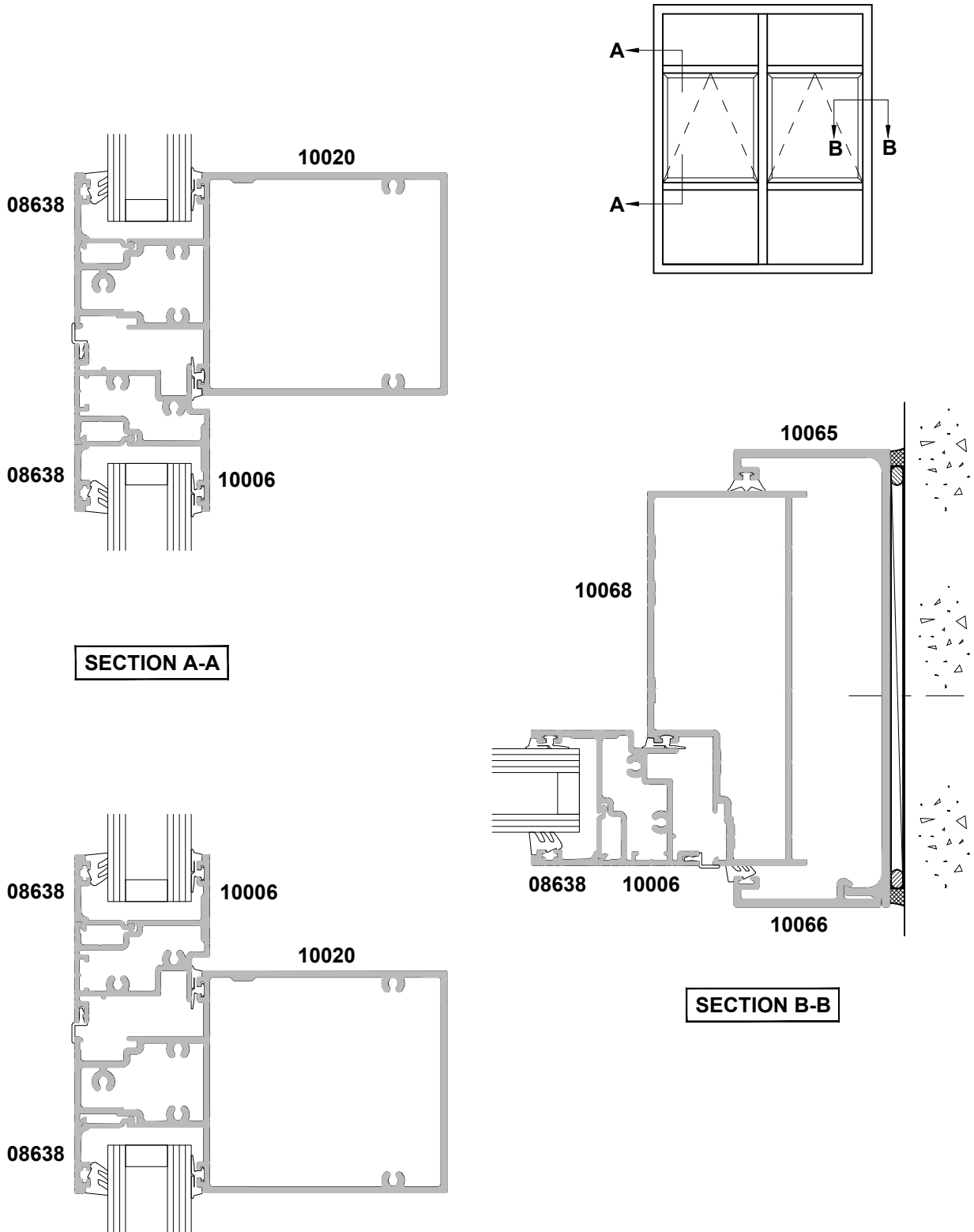
125MM FLUSHGAZE SYSTEM DOUBLE GLAZED, SEISMIC SYSTEM CROSS SECTION

Cad Ref. ACFG10-0 Scale 1:3 Date 01.08.16



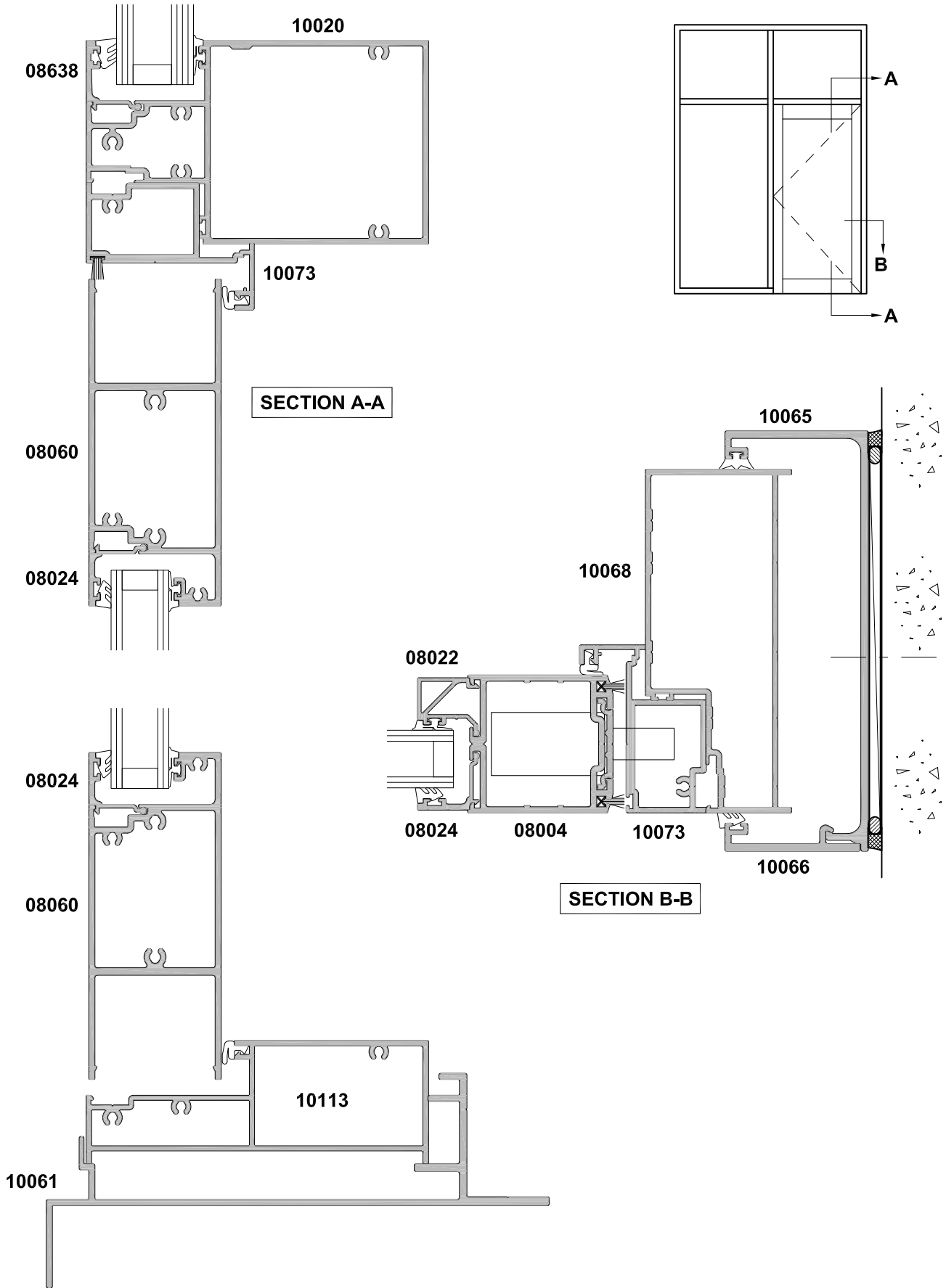
125MM FLUSHGAZE SYSTEM DOUBLE GLAZED, SASH CROSS SECTION

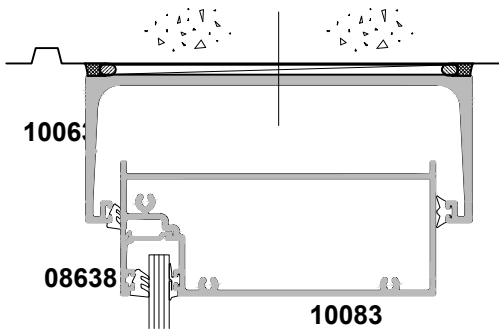
Cad Ref. ACFG11-0 Scale 1:2 Date 01.08.16



125MM FLUSHGLAZE SYSTEM OPEN OUT HINGED DOOR CROSS SECTION

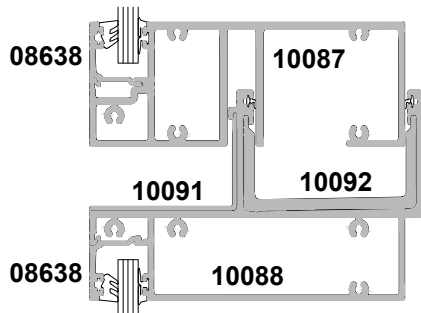
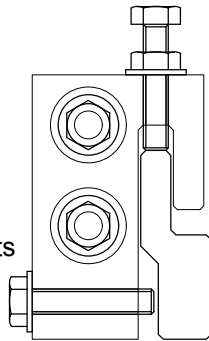
Cad Ref. ACFG12-0 Scale 1:2 Date 25.05.18



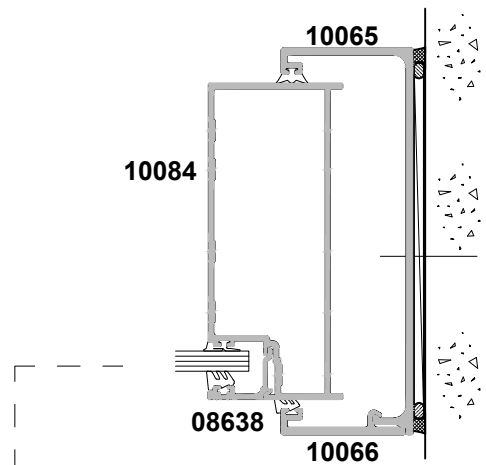
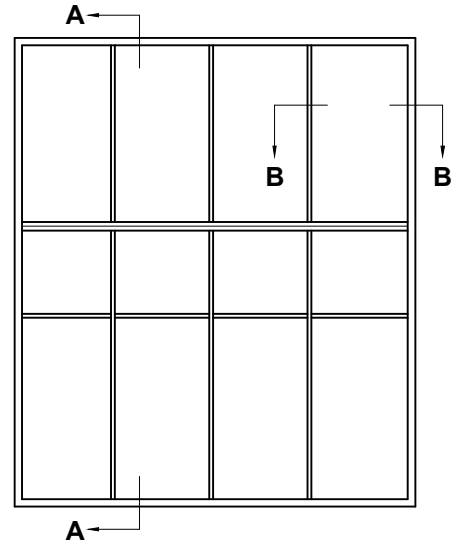
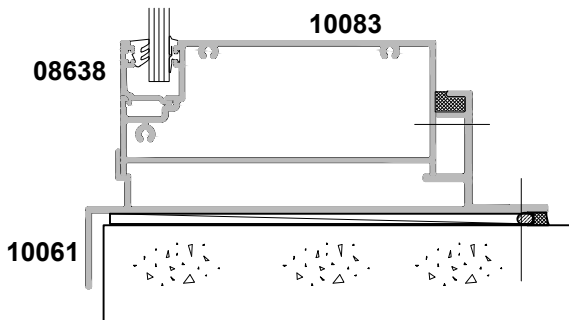
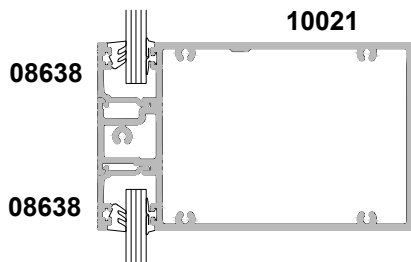


SECTION A-A

Deadload Brackets
(design specific)

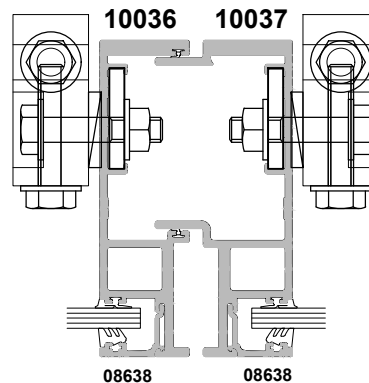


SECTION A-A



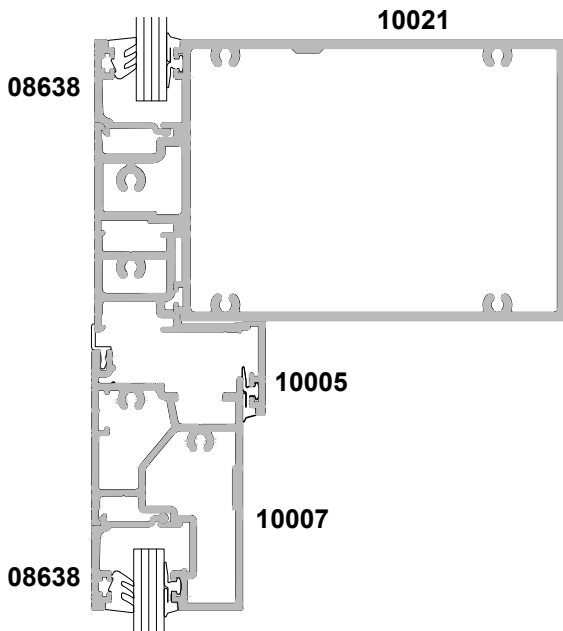
SECTION B-B

Deadload Bracket
(design specific)

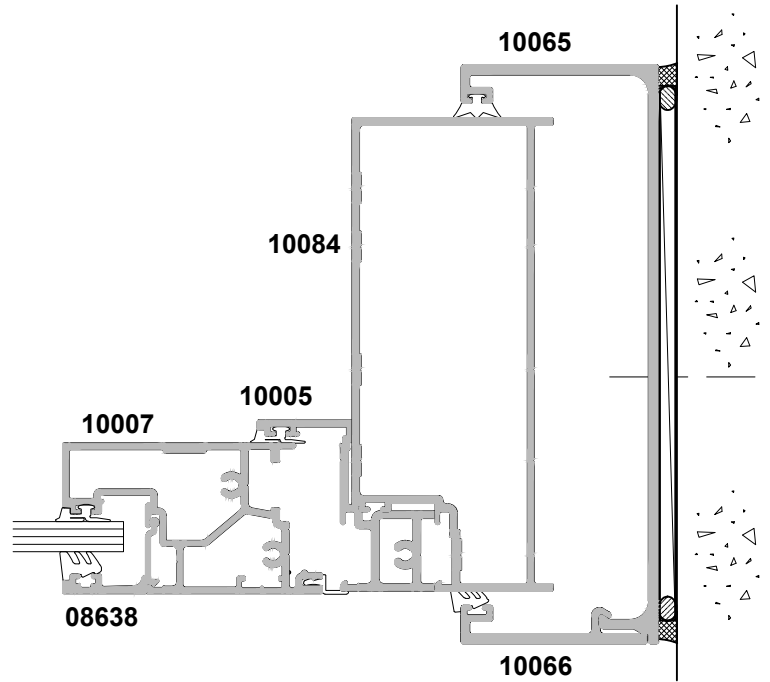
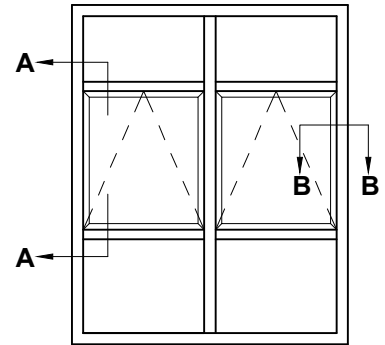


125MM FLUSHGLAZE SYSTEM SINGLE GLAZED, SASH CROSS SECTION

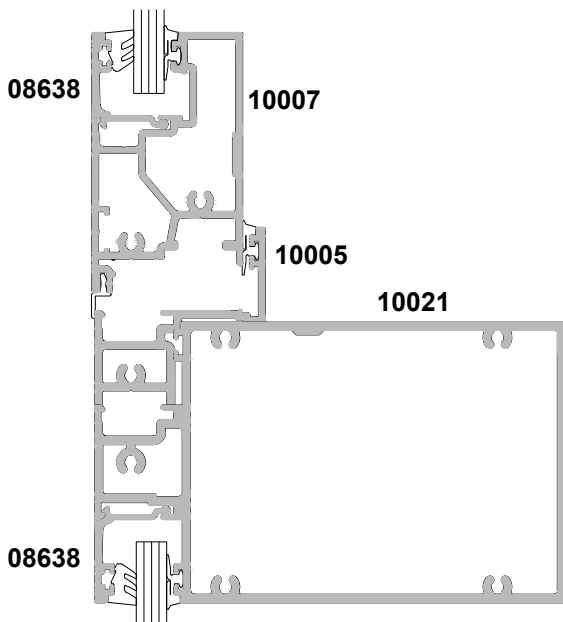
Cad Ref. ACFG14-0 Scale 1:2 Date 01.08.16



SECTION A-A

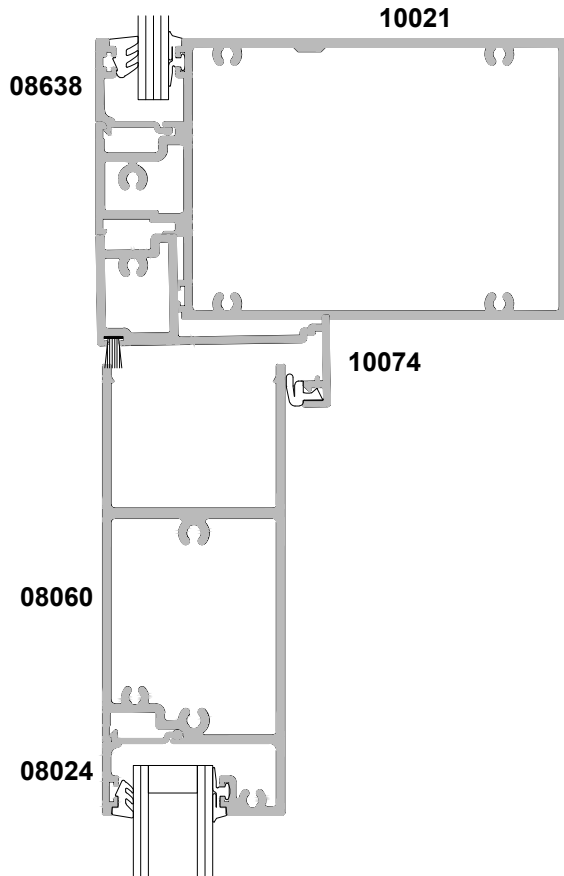


SECTION B-B

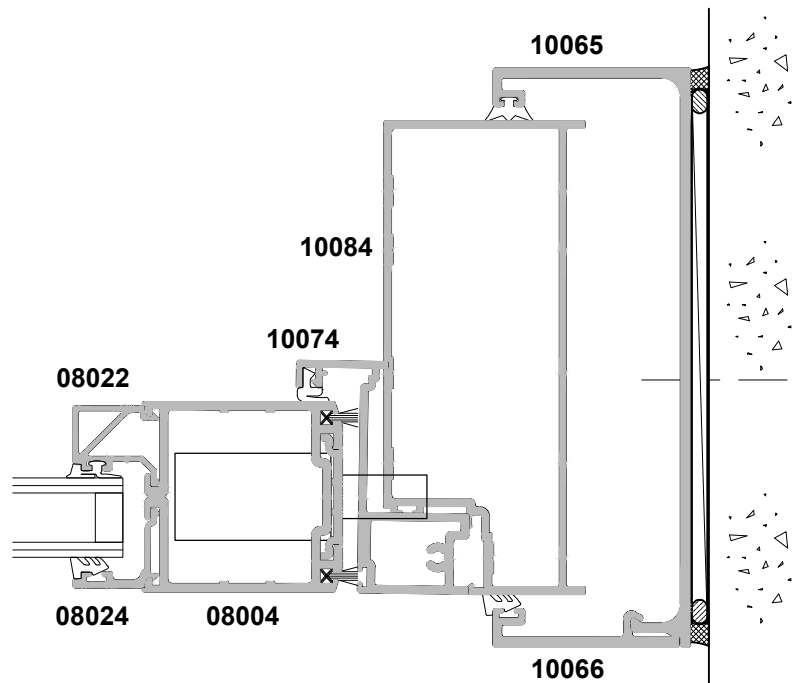
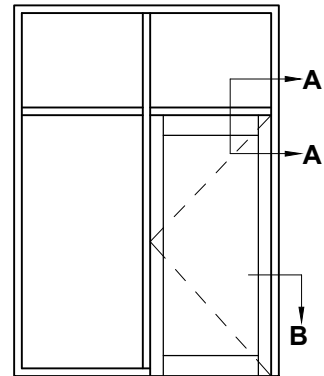


125MM FLUSHGLAZE SYSTEM SINGLE GLAZED, DOOR ADAPTOR CROSS SECTION

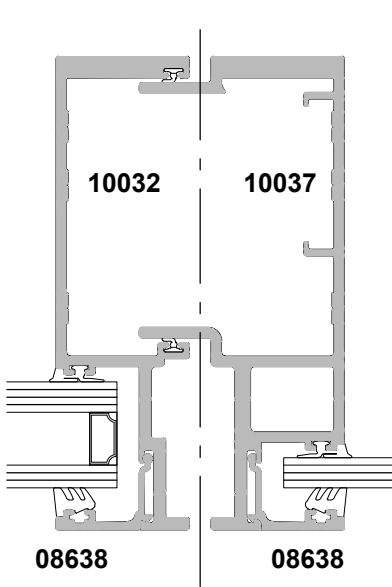
Cad Ref. ACFG15-0 Scale 1:2 Date 01.08.16



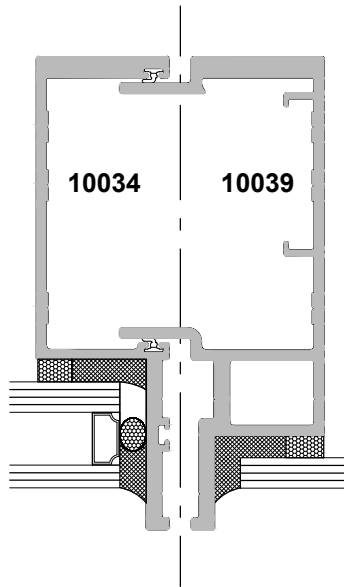
SECTION A-A



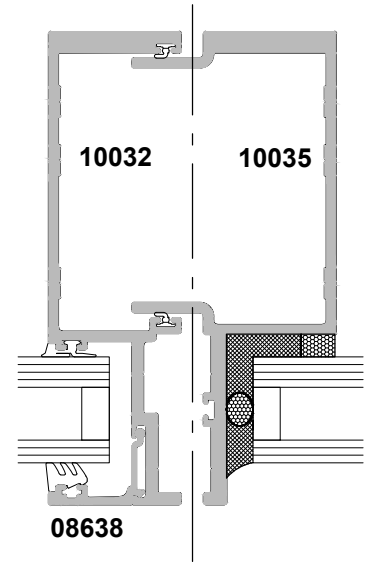
SECTION B-B



**DOUBLE TO
SINGLE GLAZED**



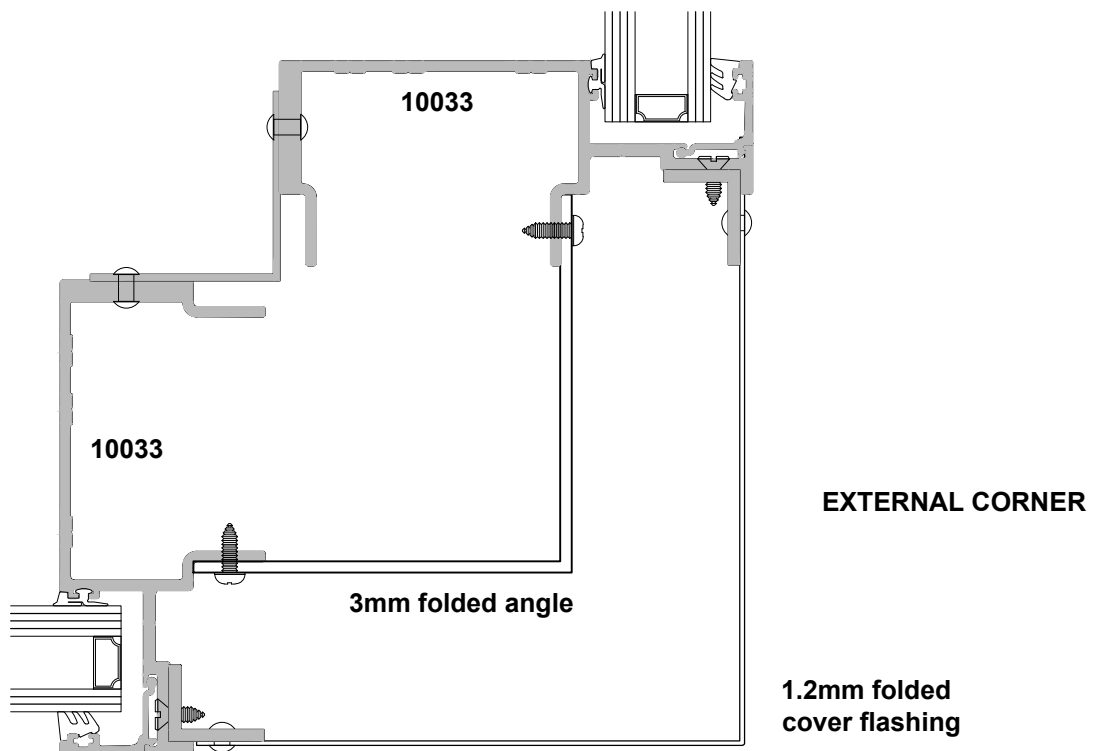
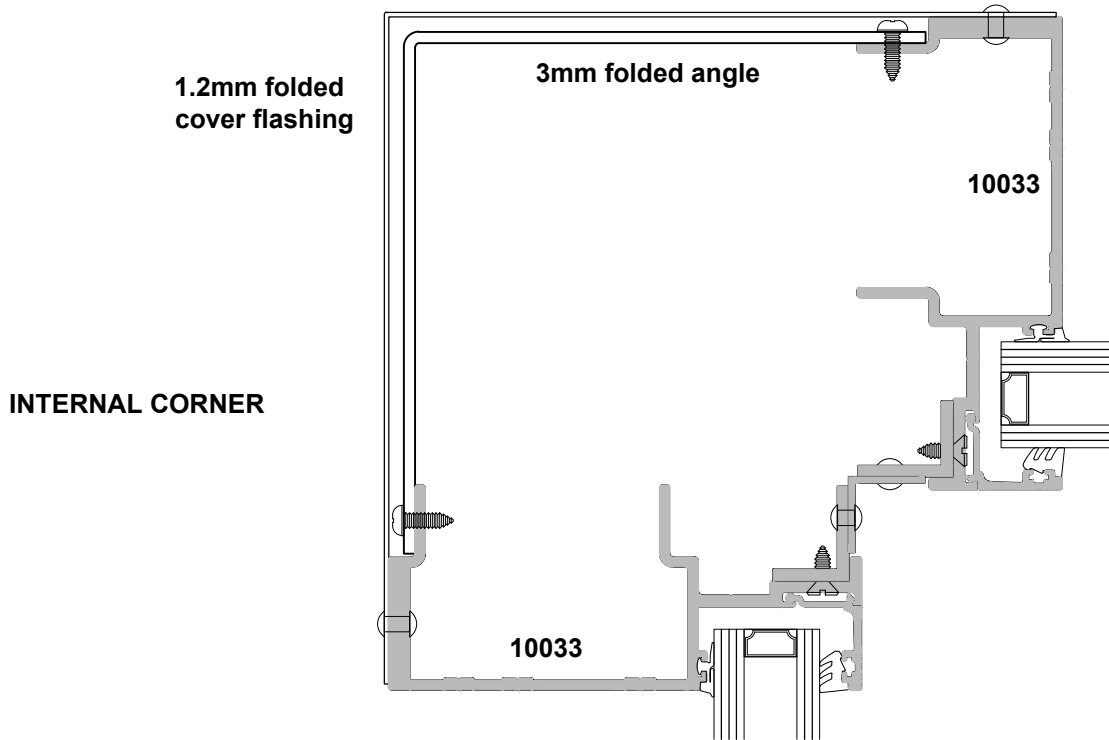
**STRUCTURAL
GLAZED
DOUBLE TO
SINGLE**



**FLUSHGLAZE
TO STRUCTURAL
GLAZE SYSTEM**

125MM FLUSHGLAZE SYSTEM
DOUBLE GLAZED 90° CORNER MULLIONS
CROSS SECTION

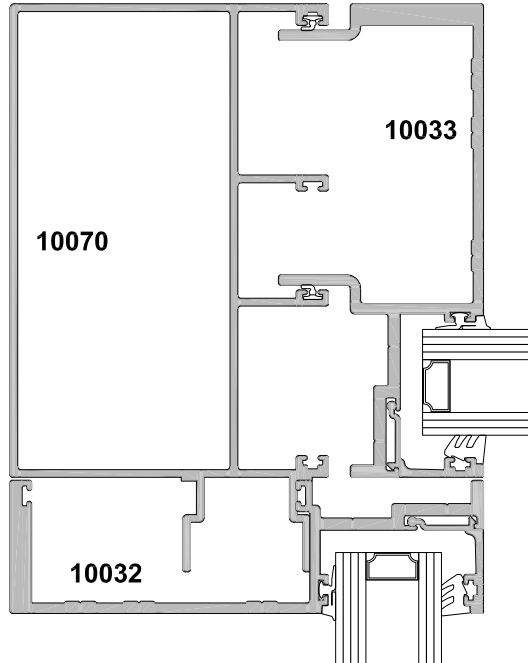
Cad Ref. ACFG17-0 Scale 1:2 Date 01.08.16



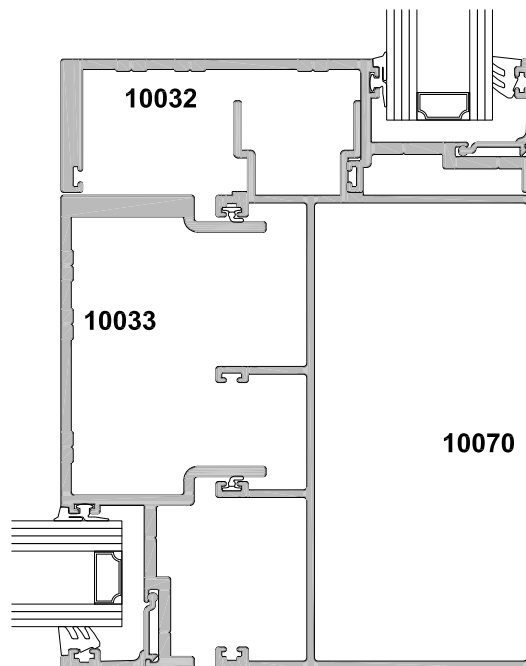
125MM FLUSHGLAZE SYSTEM DOUBLE TO SINGLE GLAZED MULLIONS CROSS SECTION

Cad Ref. ACFG18-0 Scale 1:2 Date 01.08.16

Internal 90° Corner

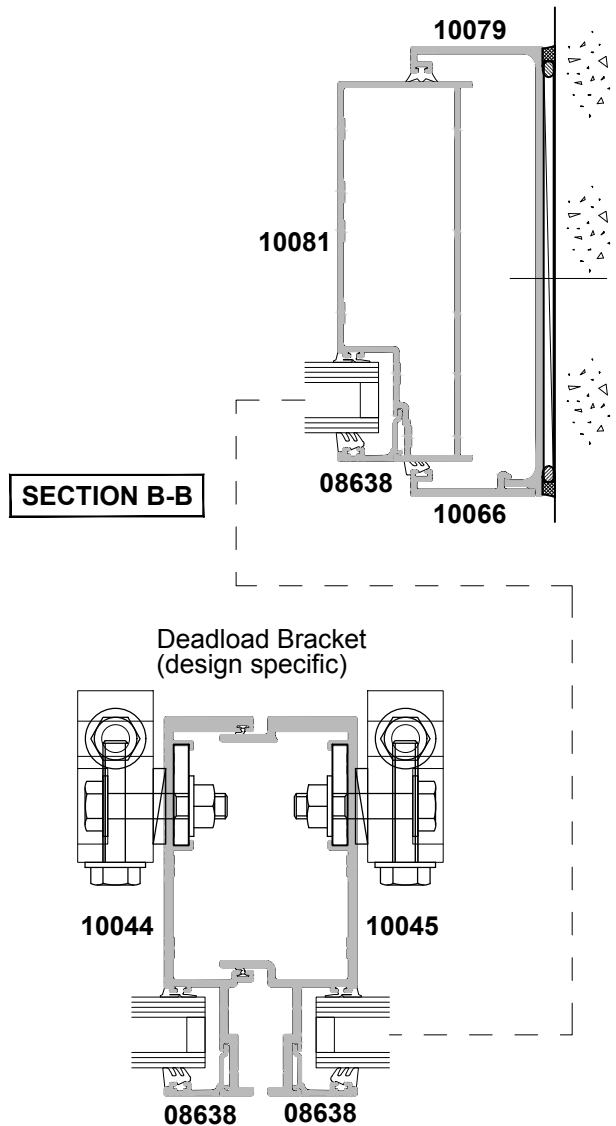
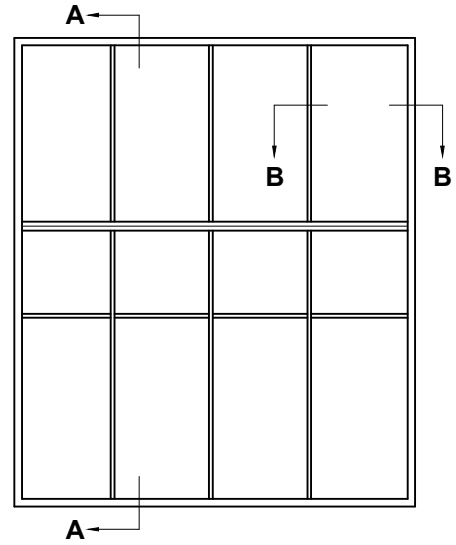
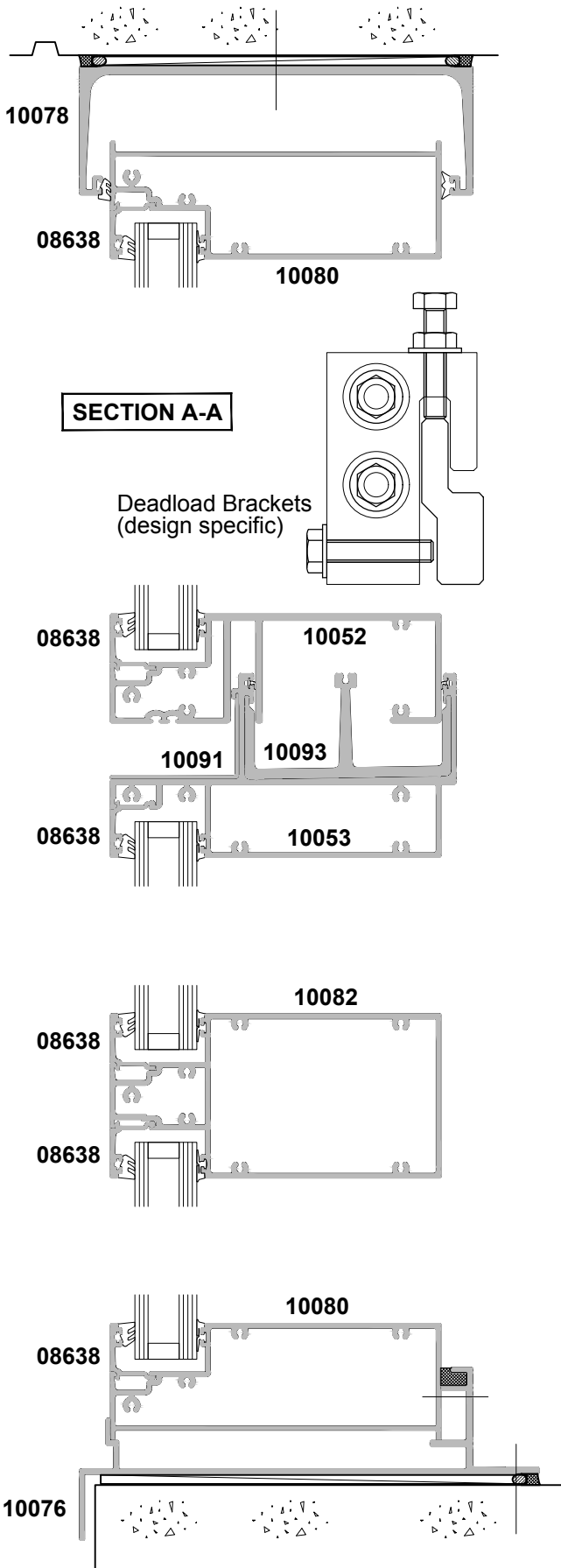


External 90° Corner



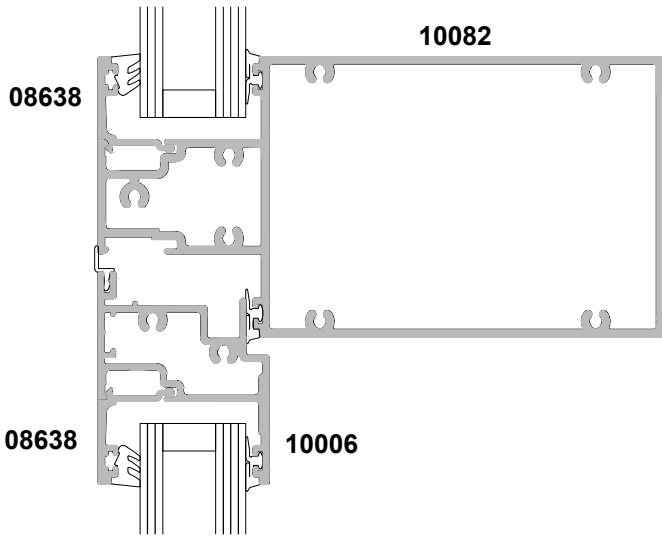
150MM FLUSHGLAZE SYSTEM DOUBLE GLAZED, SEISMIC SYSTEM CROSS SECTION

Cad Ref. ACFG25-0 Scale 1:3 Date 01.08.16

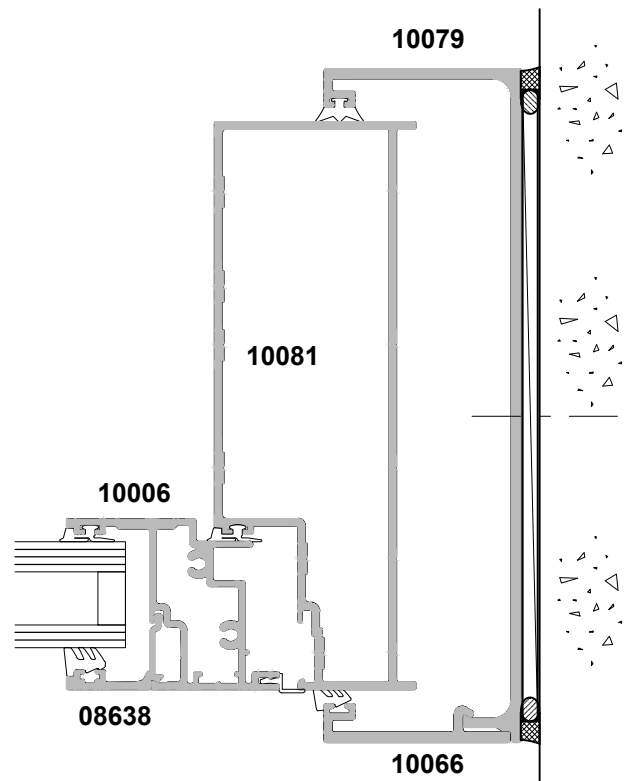
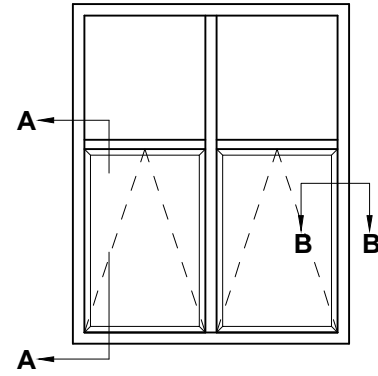


150MM FLUSHGLAZE SYSTEM DOUBLE GLAZED, SASH ADAPTOR CROSS SECTION

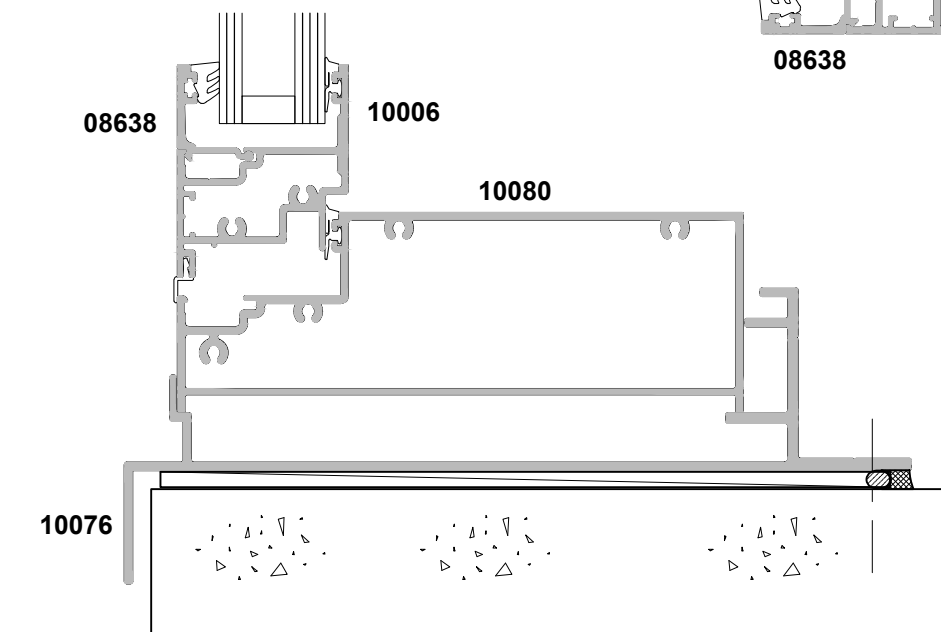
Cad Ref. ACFG26-0 Scale 1:2 Date 01.08.16



SECTION A-A

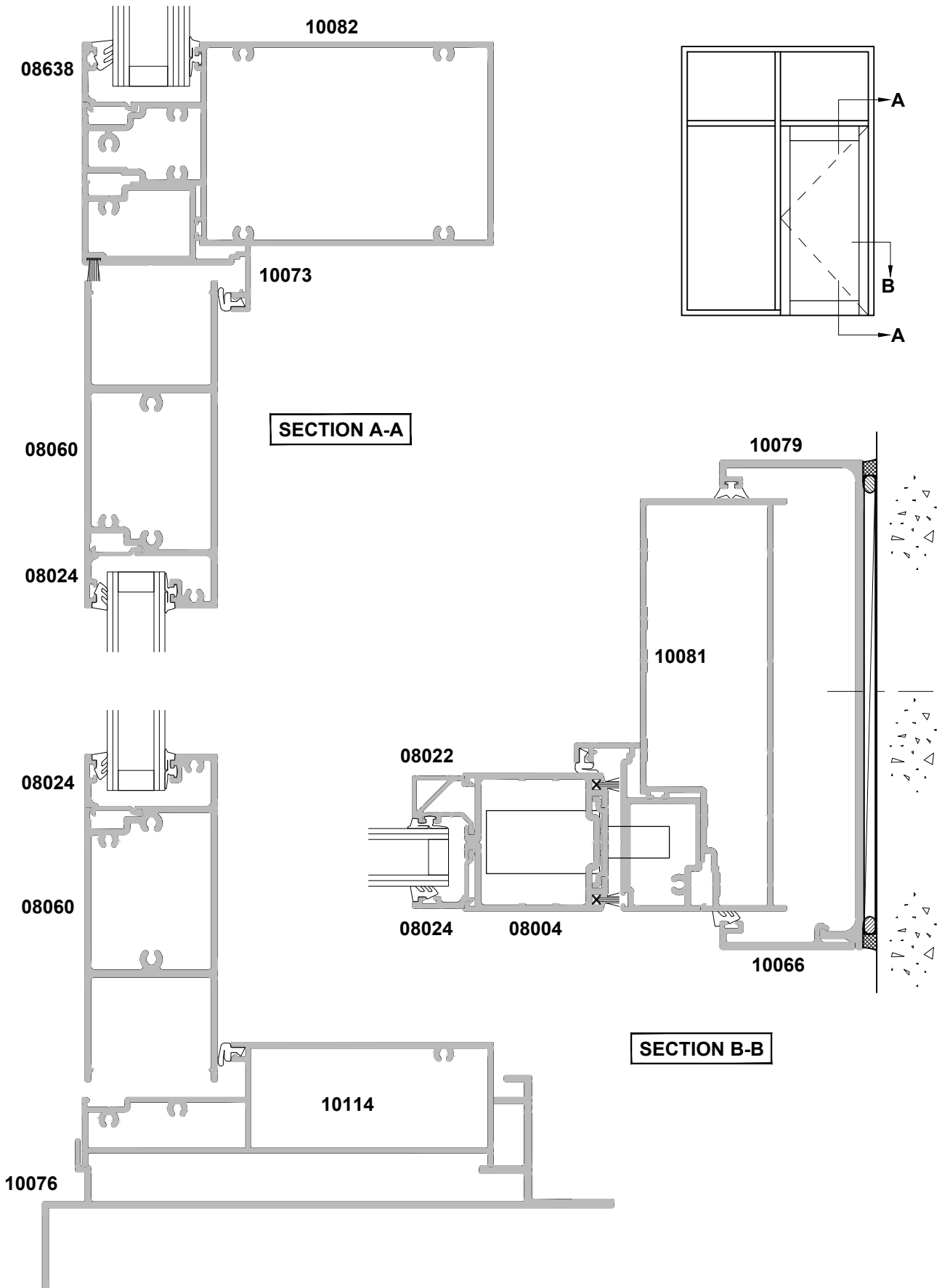


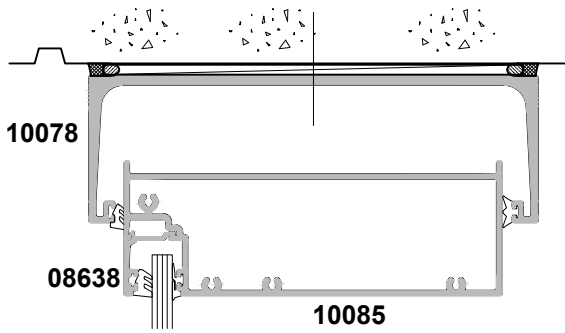
SECTION B-B



150MM FLUSHGLAZE SYSTEM OPEN OUT HINGED DOOR CROSS SECTION

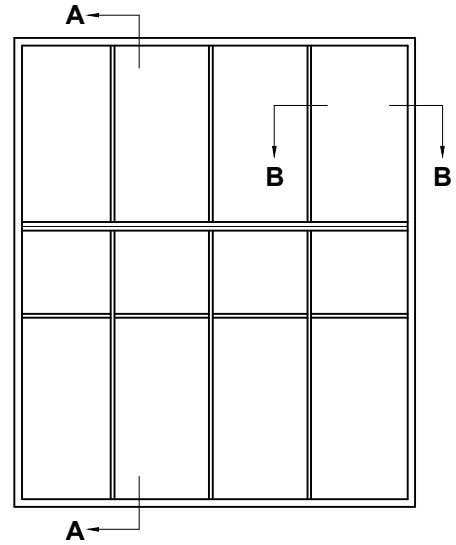
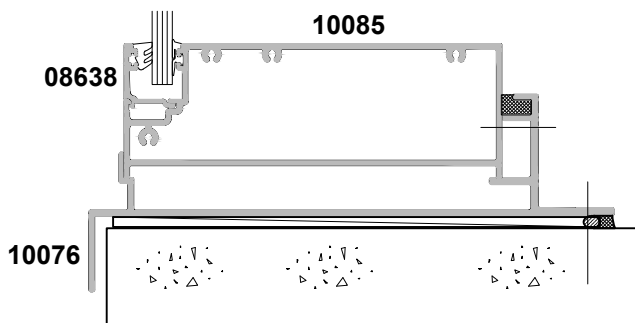
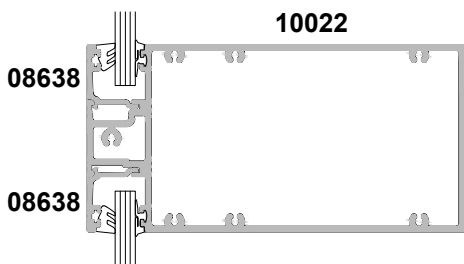
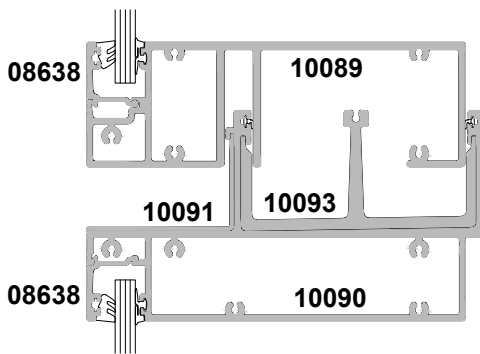
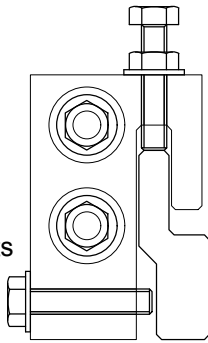
Cad Ref. ACFG27-0 Scale 1:2 Date 25.05.18



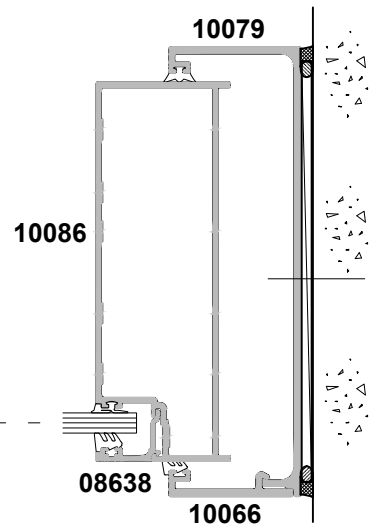


SECTION A-A

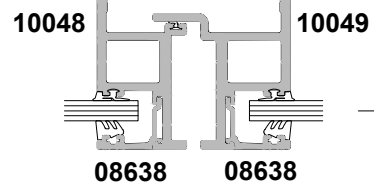
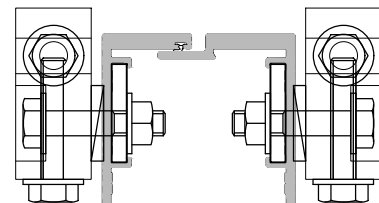
Deadload Brackets
(design specific)



SECTION B-B

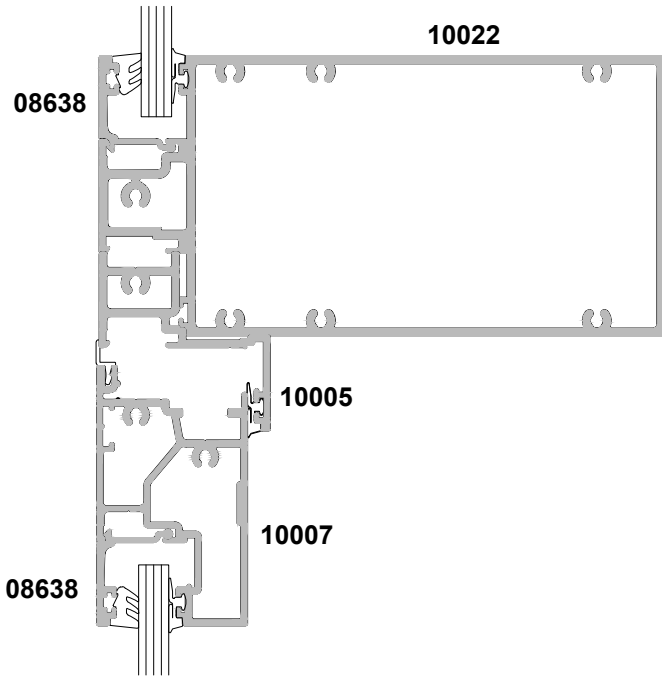


Deadload Bracket
(design specific)

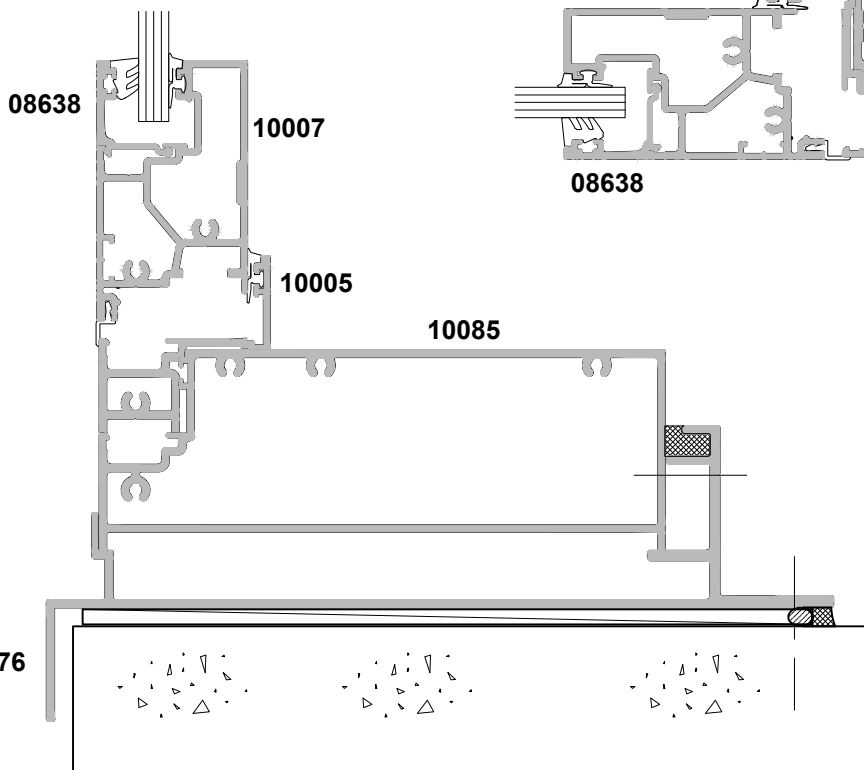
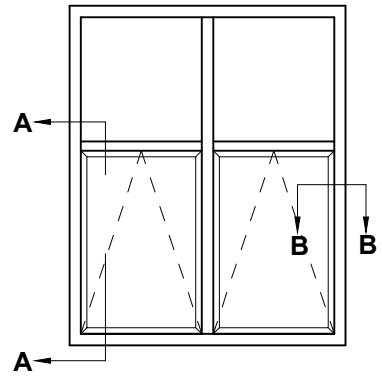


150MM FLUSHGLAZE SYSTEM SINGLE GLAZED, SASH CROSS SECTION

Cad Ref. ACFG29-0 Scale 1:2 Date 01.08.16



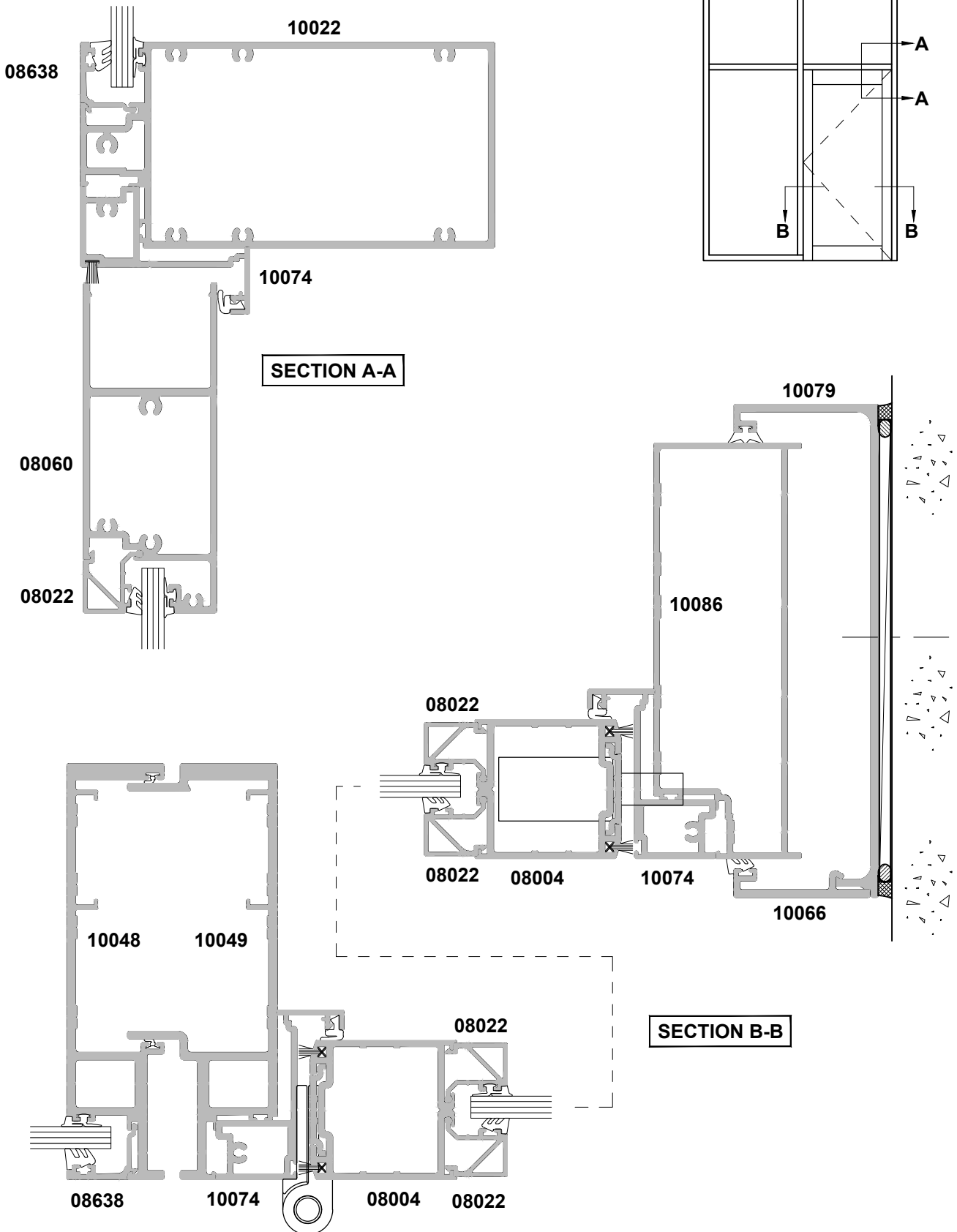
SECTION A-A

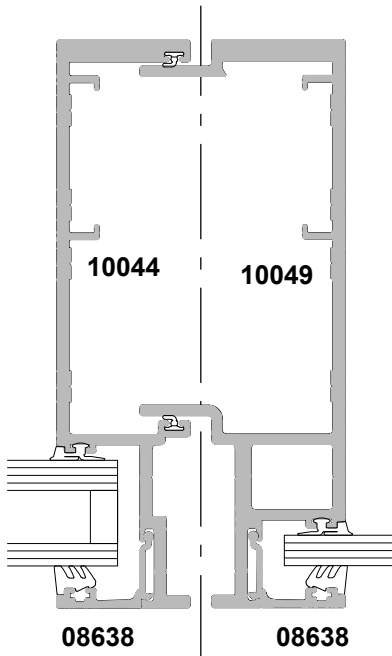


SECTION B-B

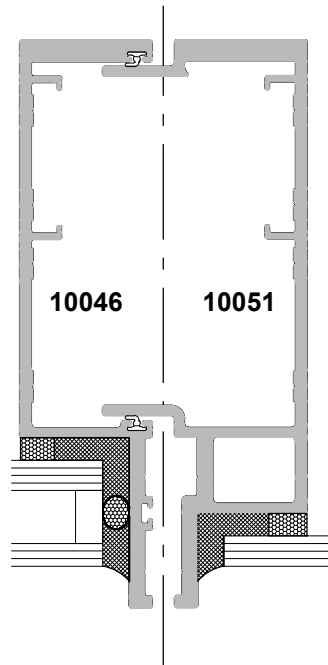
150MM FLUSHGLAZE SYSTEM SINGLE GLAZED, DOOR ADAPTOR CROSS SECTION

Cad Ref. ACFG30-0 Scale 1:2 Date 01.08.16

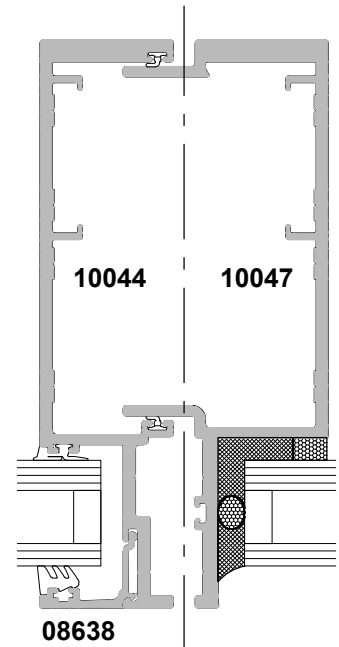




**DOUBLE TO
SINGLE GLAZED**



**STRUCTURAL
GLAZED
DOUBLE TO
SINGLE**



**FLUSHGLAZE
TO STRUCTURAL
GLAZE SYSTEM**

150MM FLUSHGLAZE SYSTEM
DOUBLE GLAZED 90° CORNER MULLIONS
CROSS SECTION

Cad Ref. ACFG32-0 Scale 1:2 Date 01.08.16

