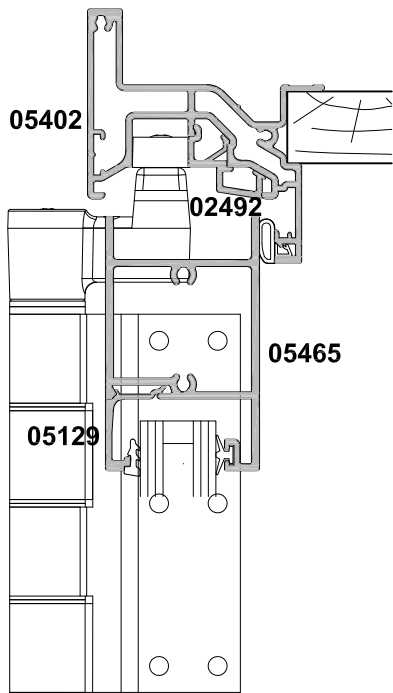
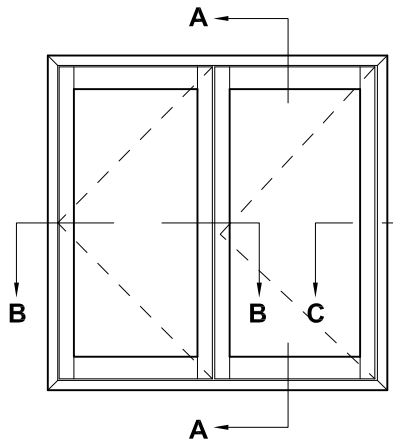


# BI-FOLD WINDOW TWO PANEL CROSS SECTION

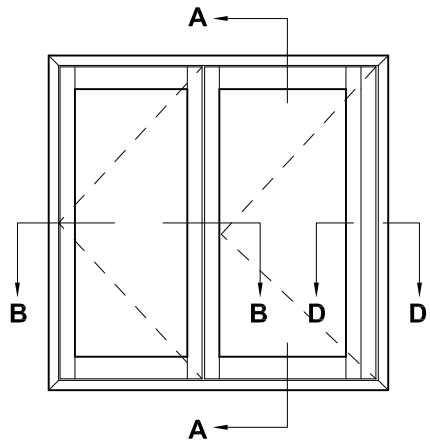
Cad Ref. ABW01-0    Scale 1:2    Date 01.04.19



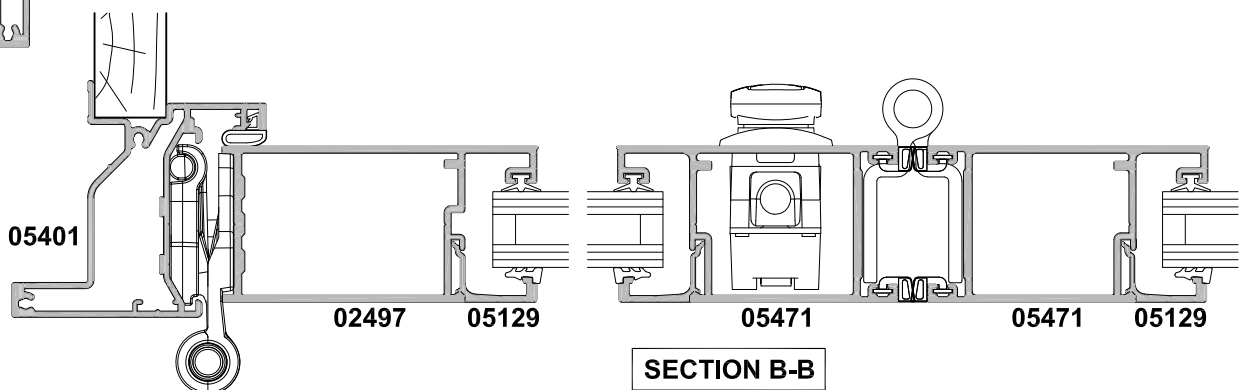
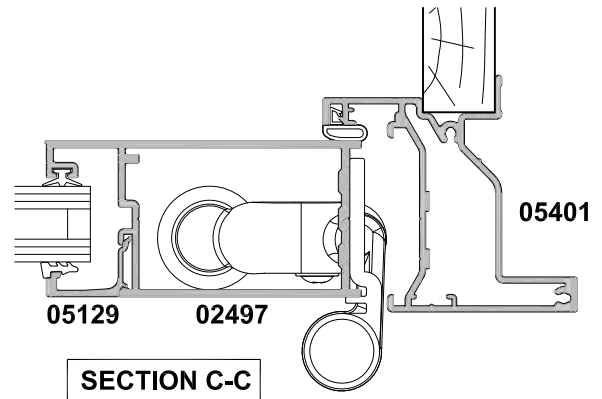
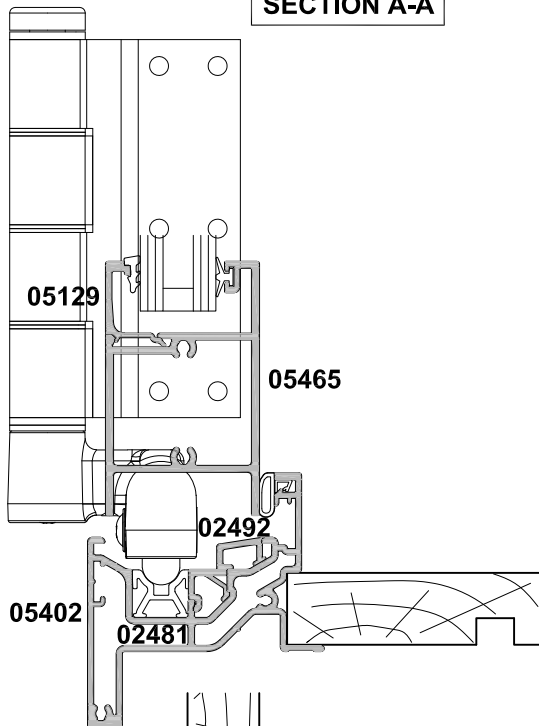
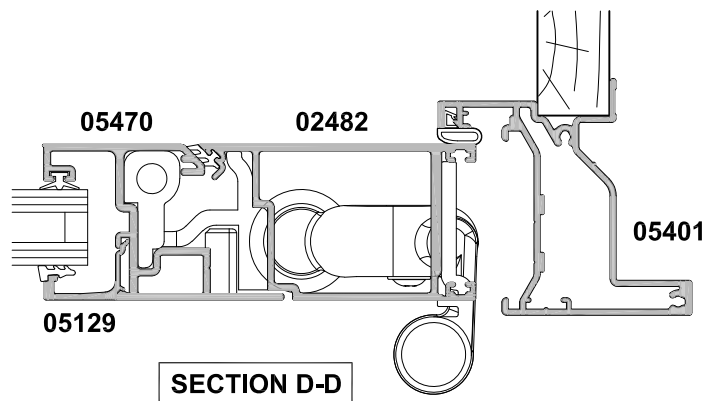
SECTION A-A



STANDARD BI-FOLD

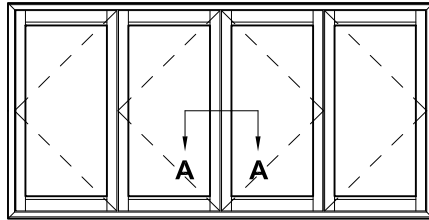


LAY-BACK OPTION

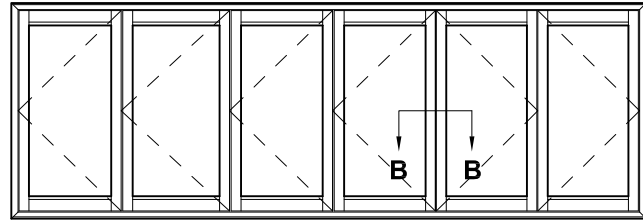


# BI-FOLD WINDOW MEETING STILES CROSS SECTION

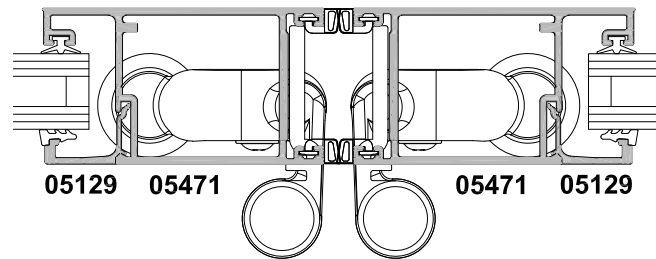
Cad Ref. ABW02-0    Scale 1:2    Date 01.04.19



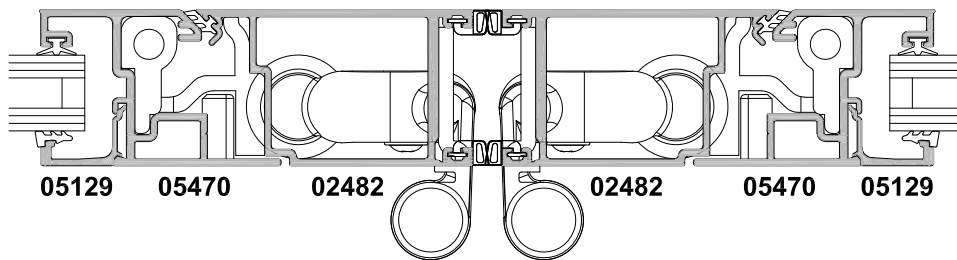
2 + 2 Panel



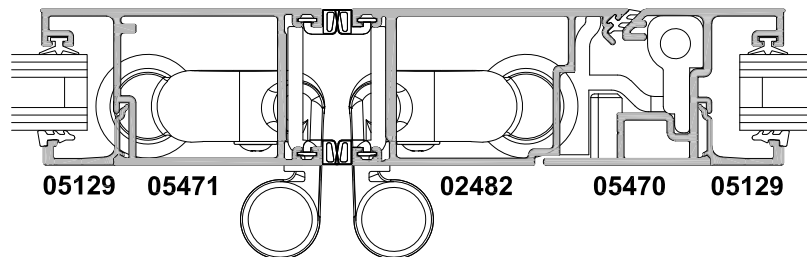
4 + 2 Panel



SECTION A-A & B-B  
STANDARD PANELS



SECTION A-A  
LAY-BACK OPTION



SECTION B-B  
LAY-BACK OPTION ON TWO PANEL SIDE ONLY