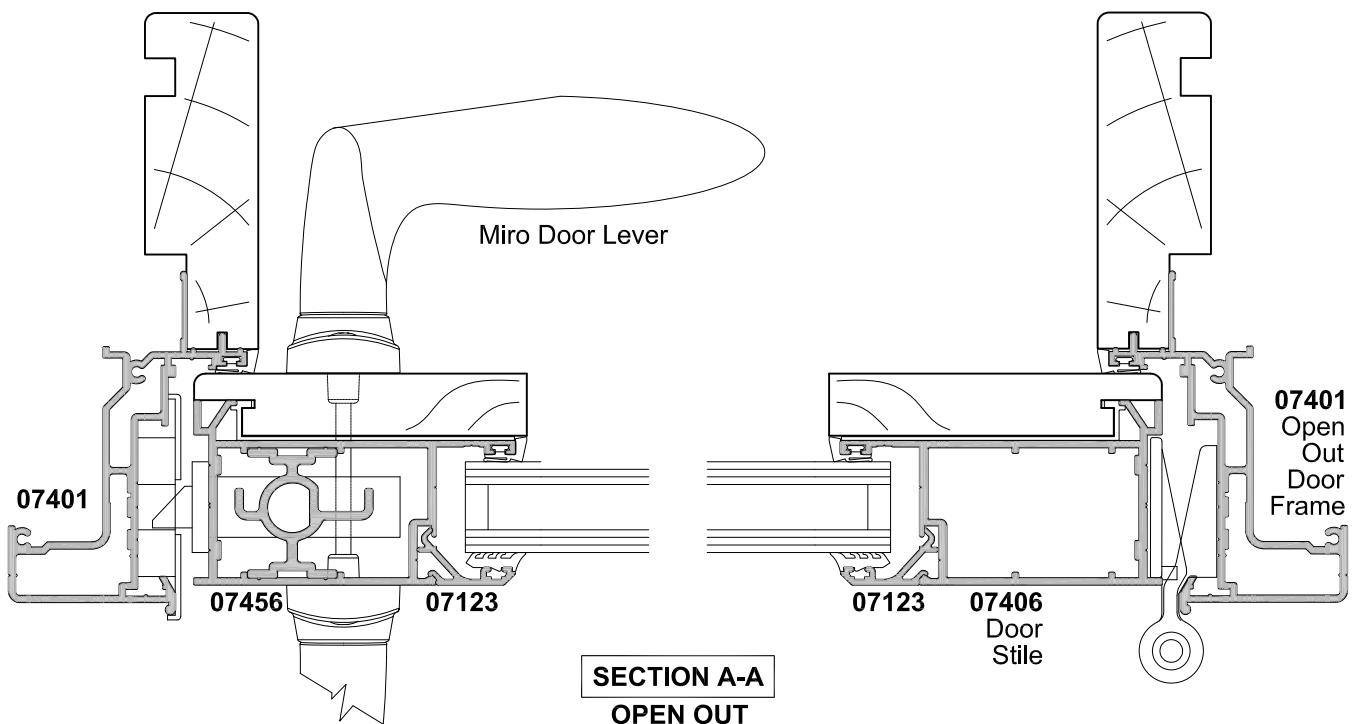
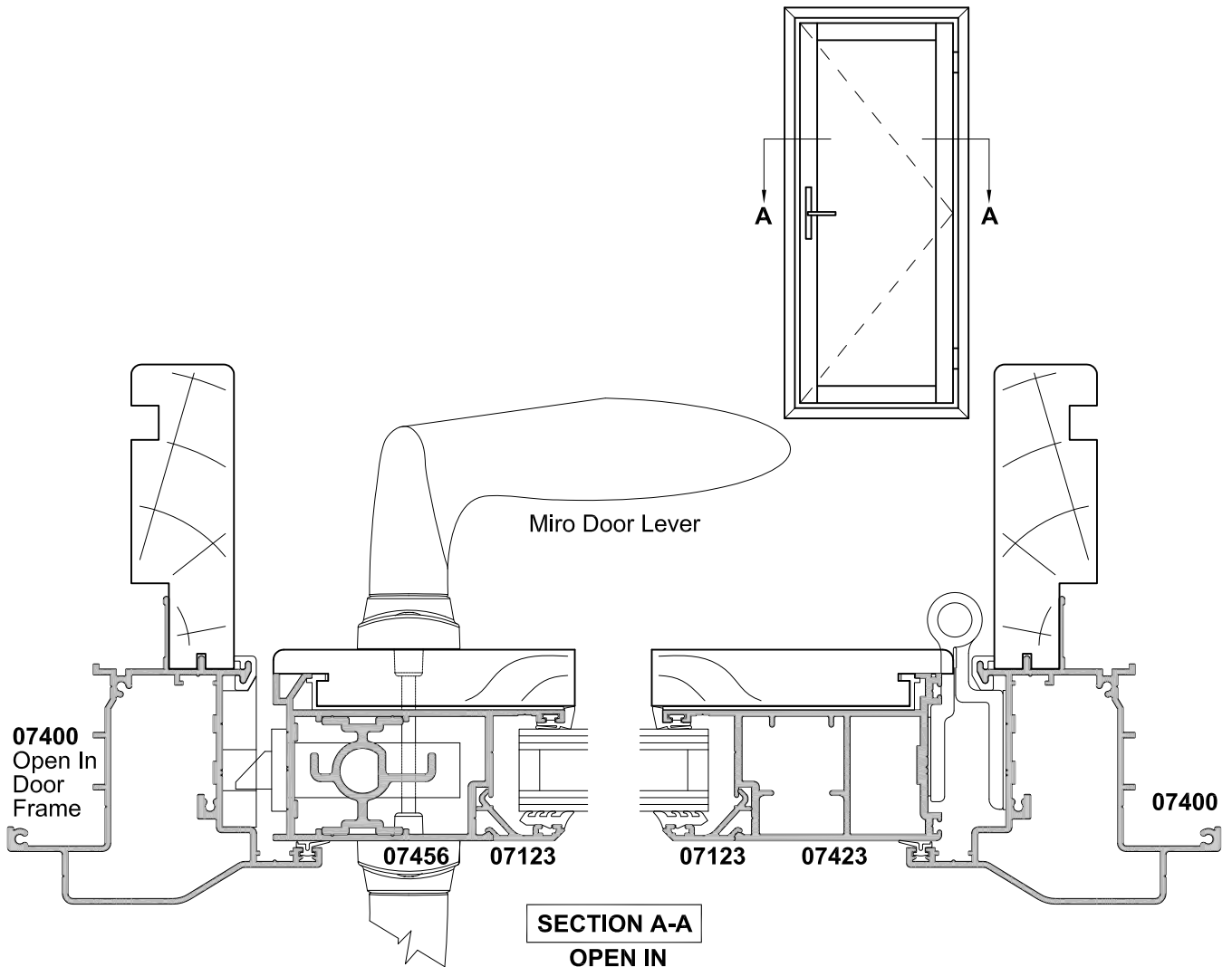




HINGED DOOR, OPEN IN AND OPEN OUT CROSS SECTION

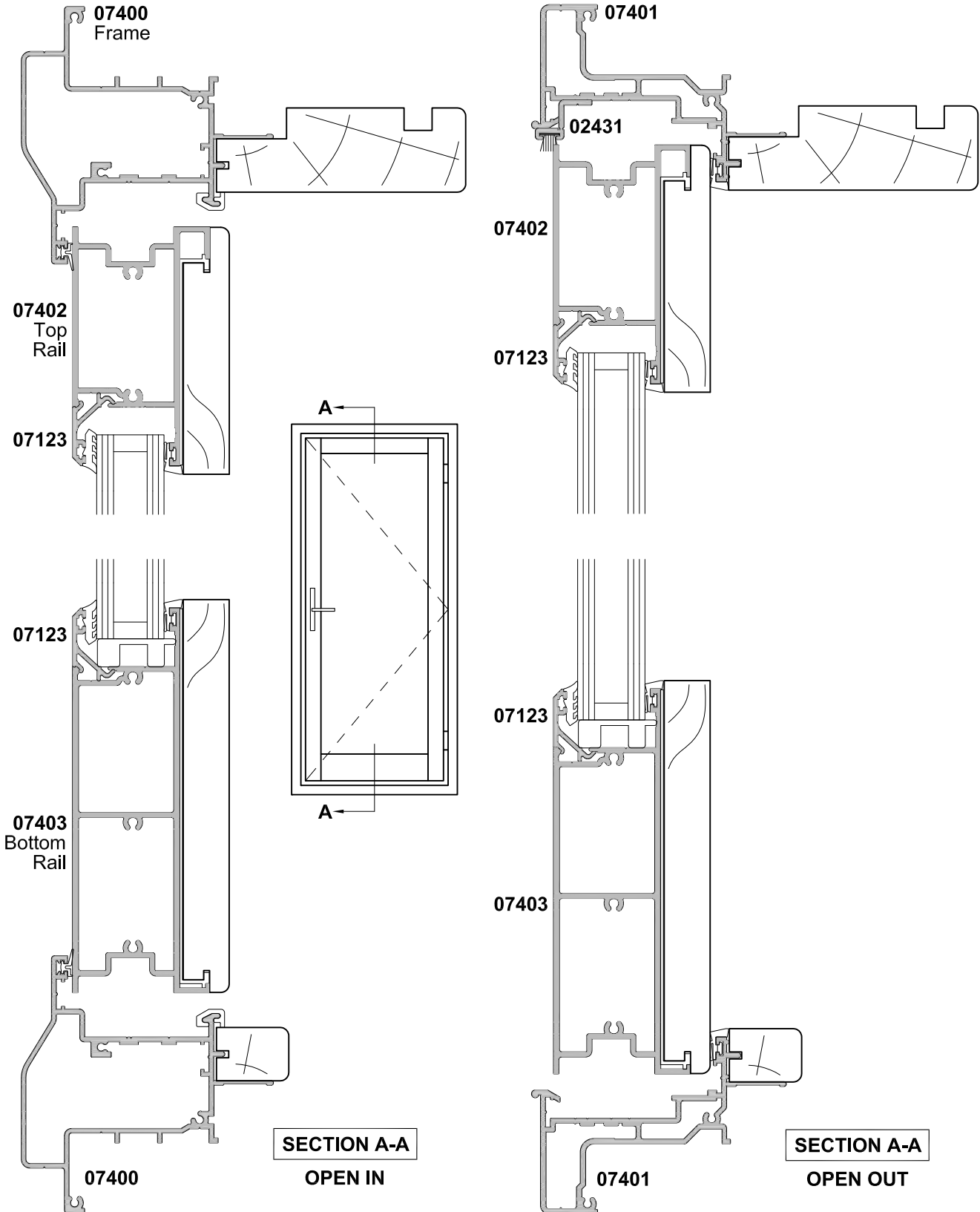
Cad Ref. SHD02-0 Scale 1:2 Date 01.06.11





HINGED DOOR, OPEN IN AND OPEN OUT CROSS SECTION

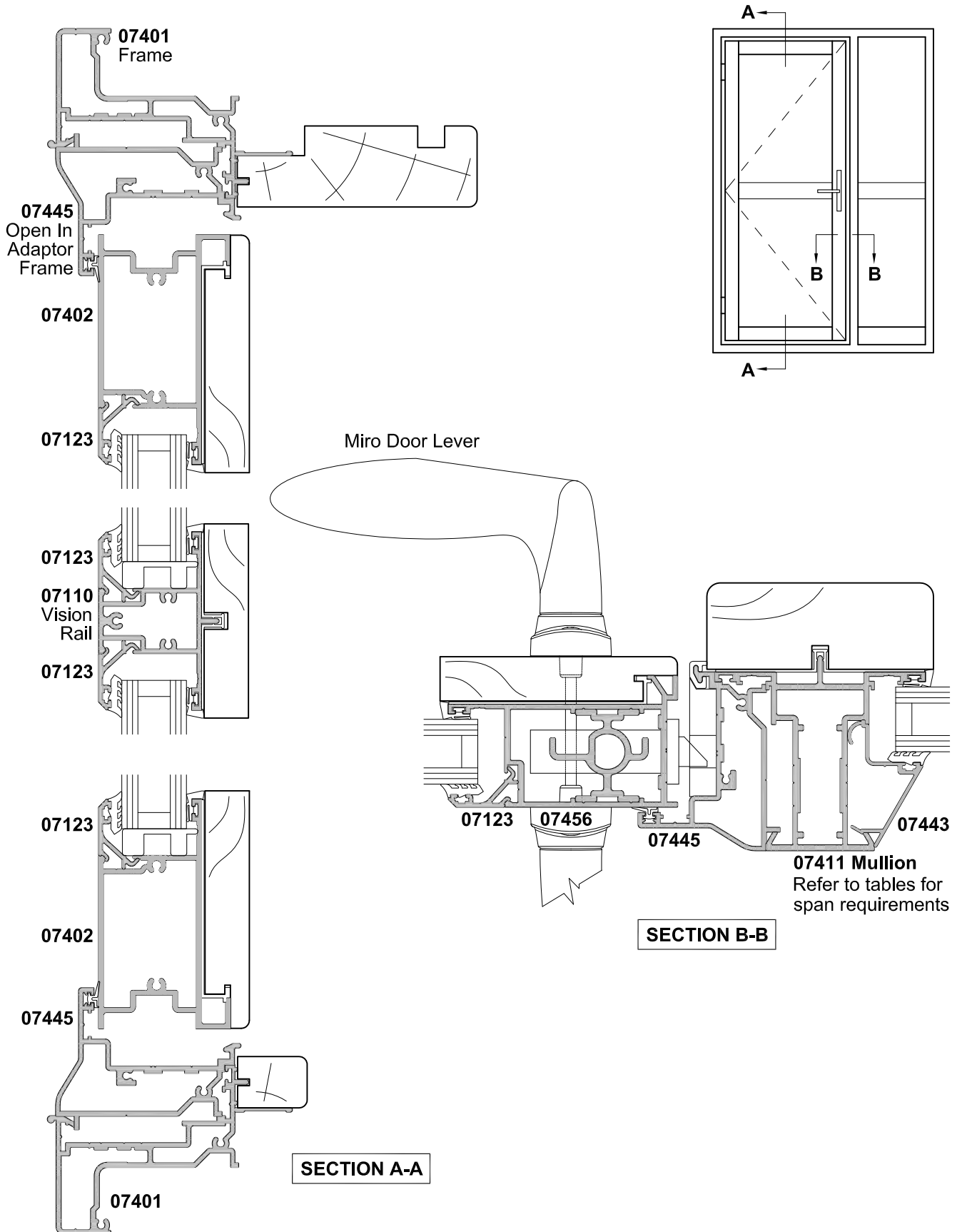
Cad Ref. SHD03-0 Scale 1:2 Date 01.06.11





HINGED DOOR WITH OPEN IN ADAPTOR, SIDELIGHT AND VISION RAIL - CROSS SECTION

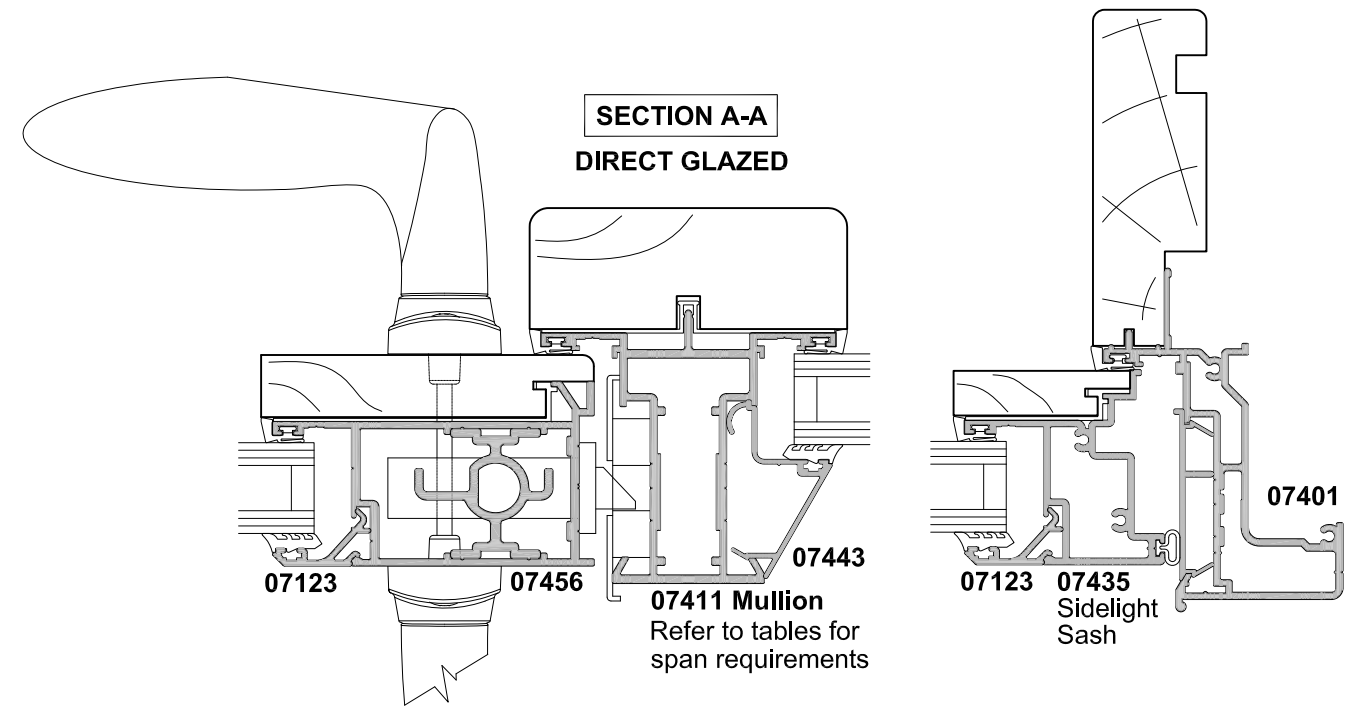
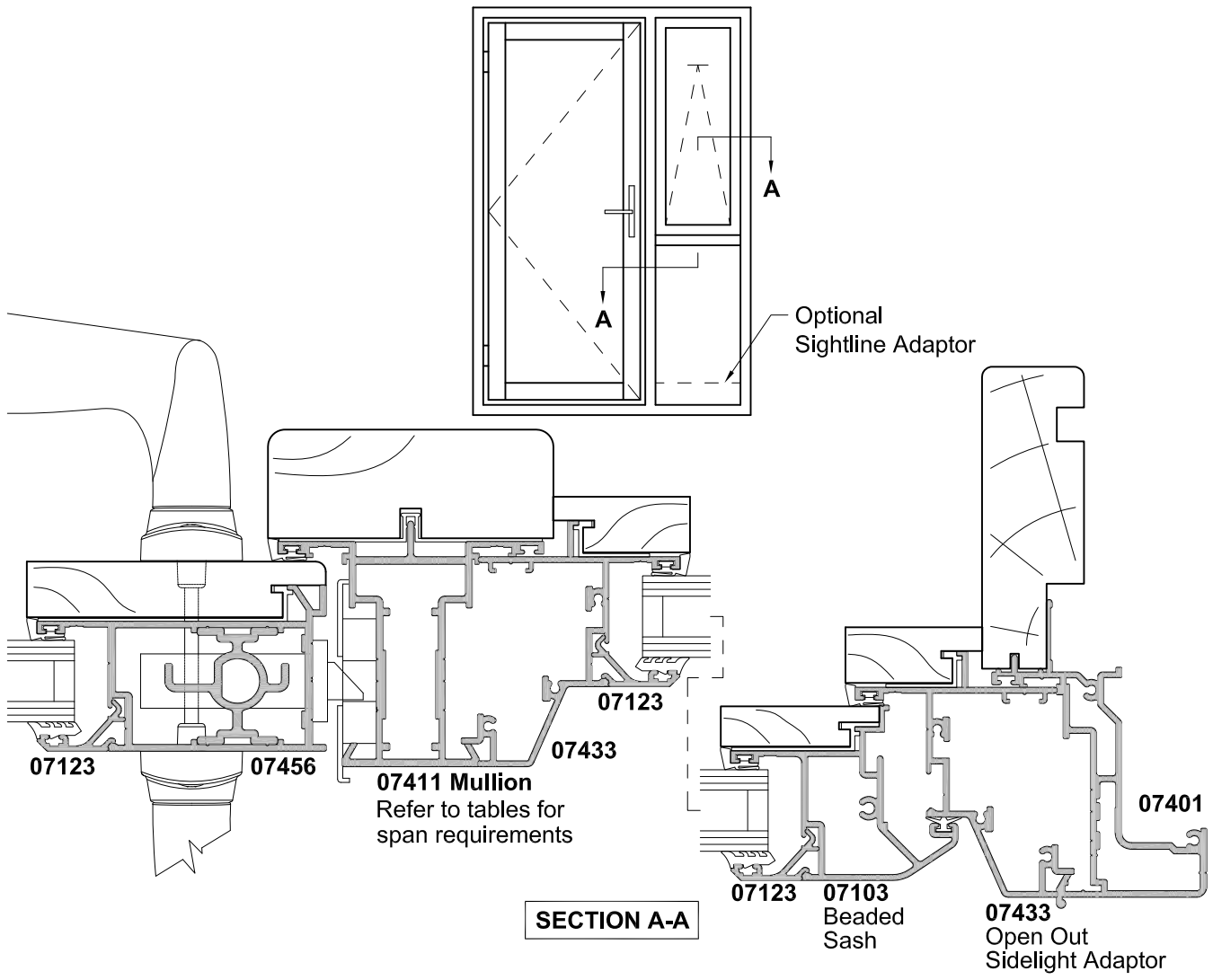
Cad Ref. SHD04-0 Scale 1:2 Date 01.06.11





HINGED DOOR, OPEN OUT WITH SIDELIGHT ADAPTOR AND SASH - CROSS SECTION

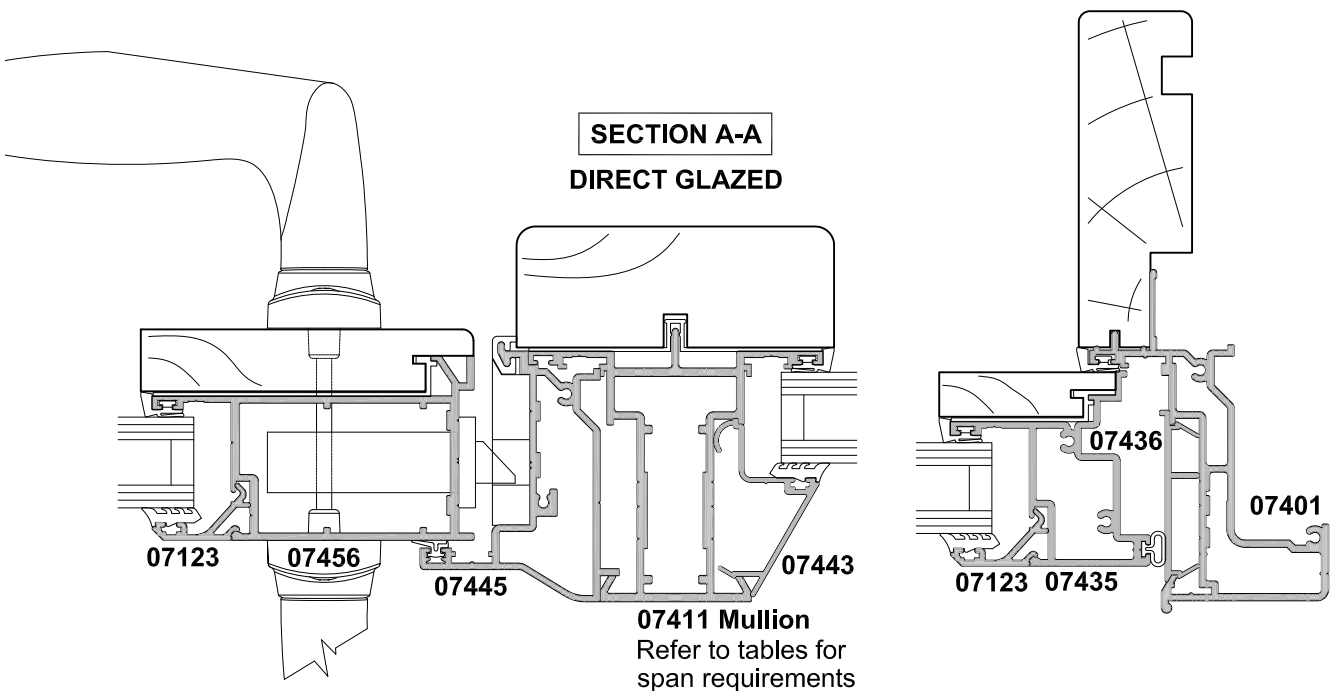
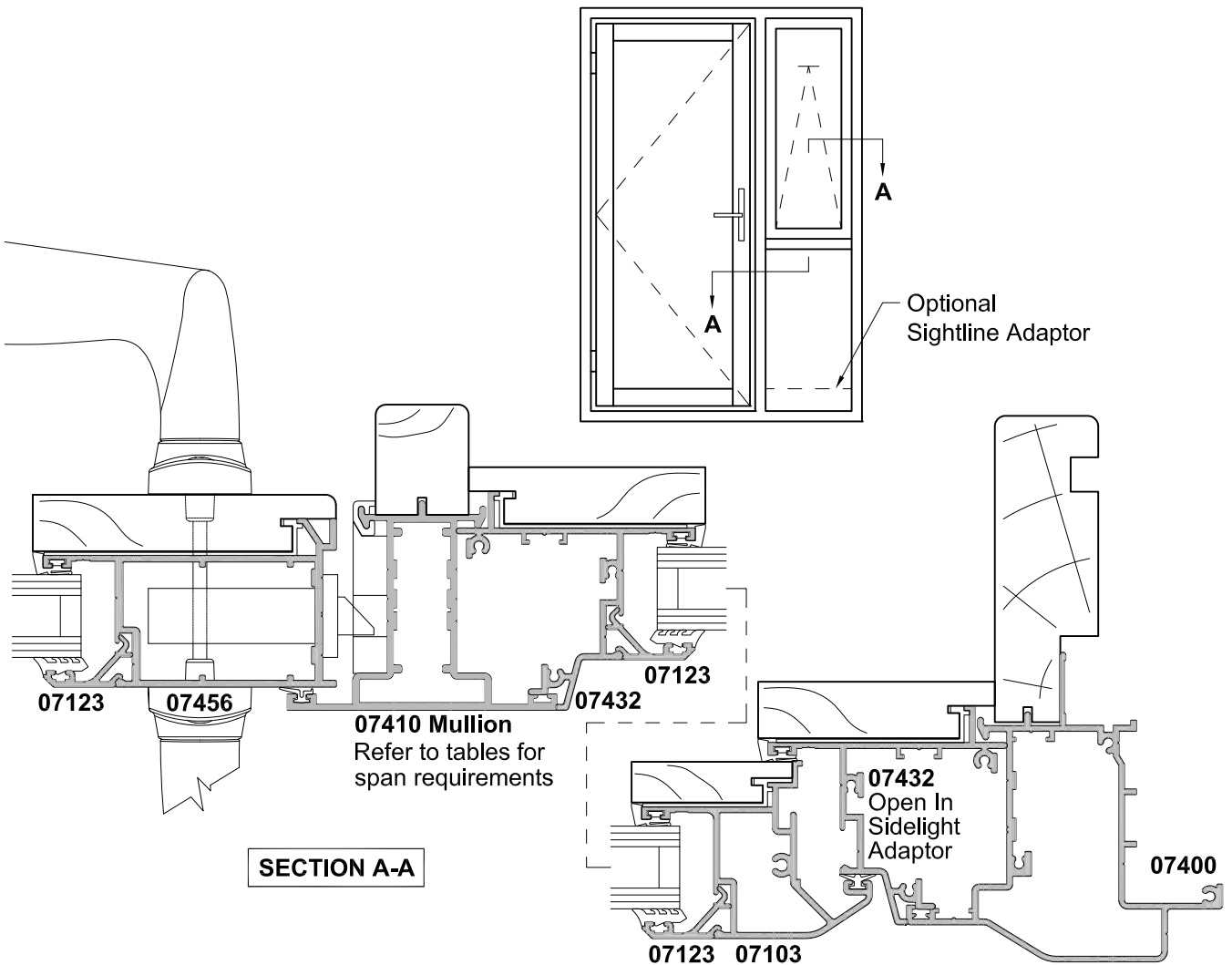
Cad Ref. SHD05-0 Scale 1:2 Date 01.06.11





HINGED DOOR, OPEN IN WITH SIDELIGHT ADAPTOR AND SASH - CROSS SECTION

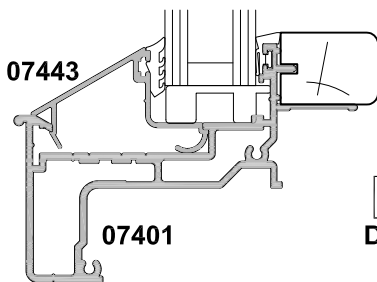
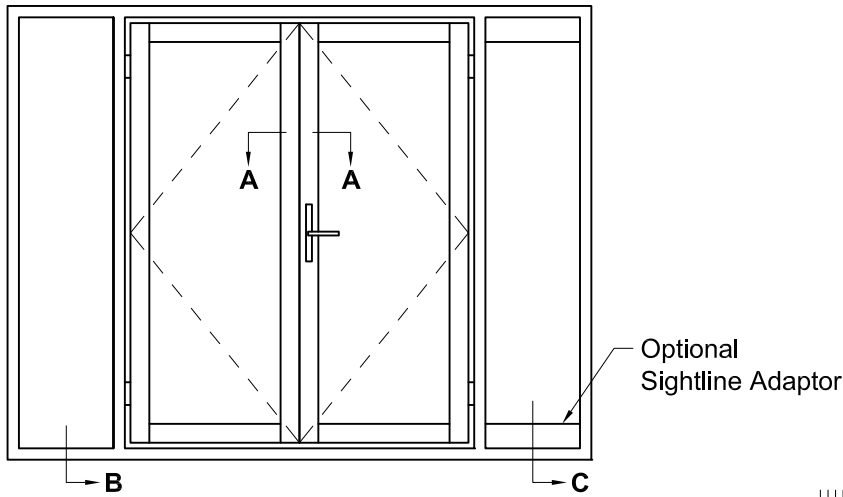
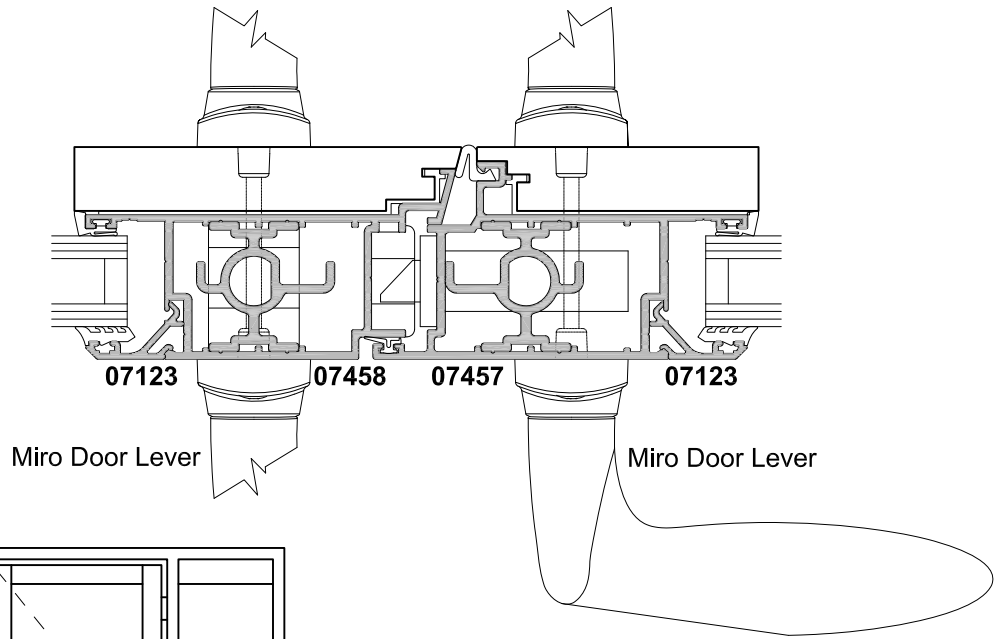
Cad Ref. SHD06-0 Scale 1:2 Date 01.06.11



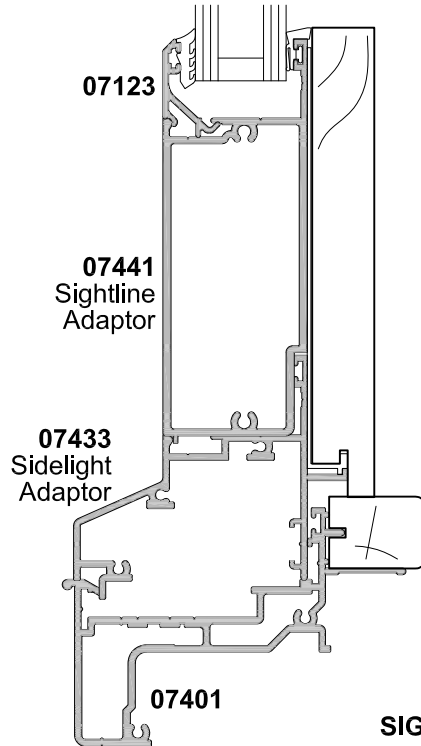


FRENCH DOOR CROSS SECTION

Cad Ref. SHD07-0 Scale 1:2 Date 01.06.11



**SECTION B-B
DIRECT GLAZED**



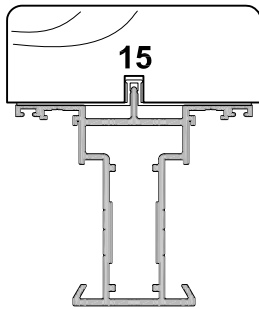
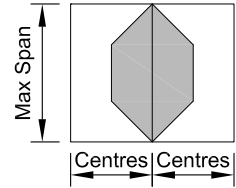
**SECTION C-C
OPTIONAL
SIGHTLINE ADAPTOR**



HINGED DOOR SPAN TABLES

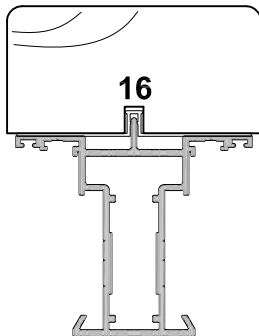
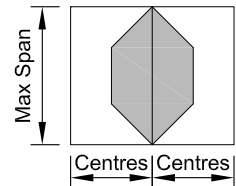
Cad Ref. SHD08-0 Scale NTS Date 01.06.11

Extrusion: 07411/ Timber Profile 15 (32mm) Description: Mullion



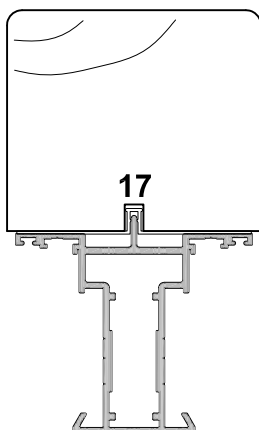
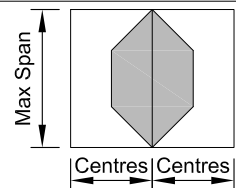
Centres	Spans for each wind zone			
	Low	Medium	High	Very High
600	3191	2907	2586	2382
700	3038	2769	2465	2272
800	2913	2657	2366	2183
900	2809	2563	2284	2108

Extrusion: 07411/ Timber Profile 16 (42mm) Description: Mullion



Centres	Spans for each wind zone			
	Low	Medium	High	Very High
600	3303	3009	2675	2464
700	3144	2866	2550	2350
800	3014	2749	2447	2257
900	2906	2651	2362	2180

Extrusion: 07411/ Timber Profile 17 (73mm) Description: Mullion



Centres	Spans for each wind zone			
	Low	Medium	High	Very High
600	3983	3627	3222	2966
700	3789	3451	3068	2825
800	3630	3308	2942	2710
900	3497	3187	2836	2614

Spans are the maximum calculated allowable, based on NZS4211:2008, which requires that the member deflection at serviceability wind pressure (SWP) shall not exceed 1/200 of the span. Hardware and componentry may further restrict the spans. For advice we recommend you contact APL Technical Advisory Service