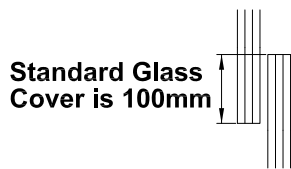
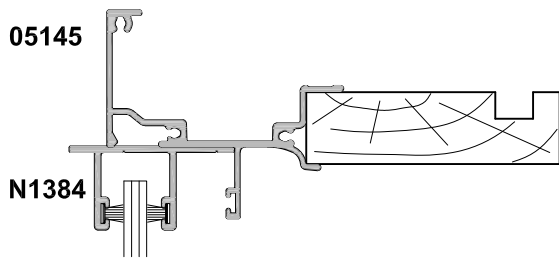


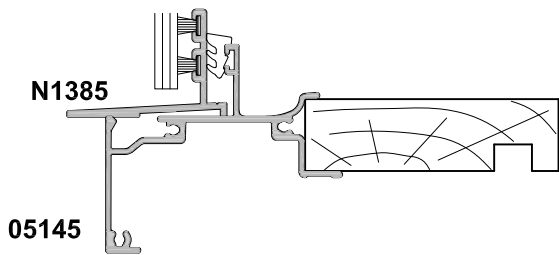
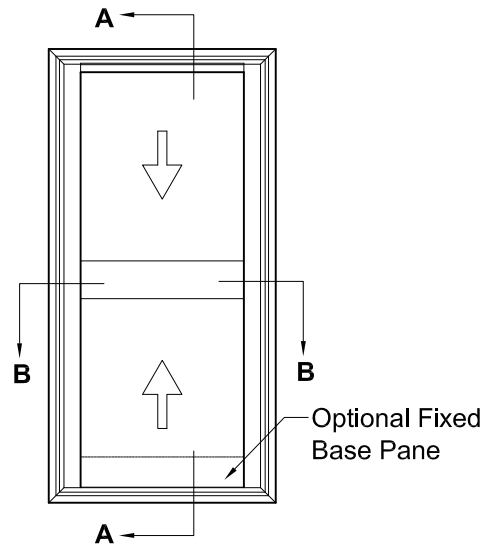
SHUGG DOUBLE HUNG WINDOW

CROSS SECTION

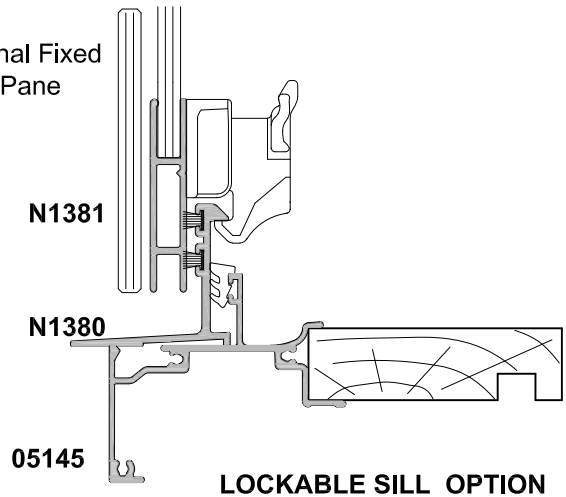
Cad Ref. ASH01-0 Scale 1:2 Date 01.04.19



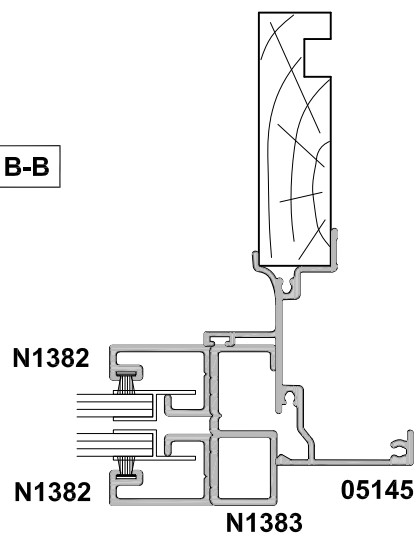
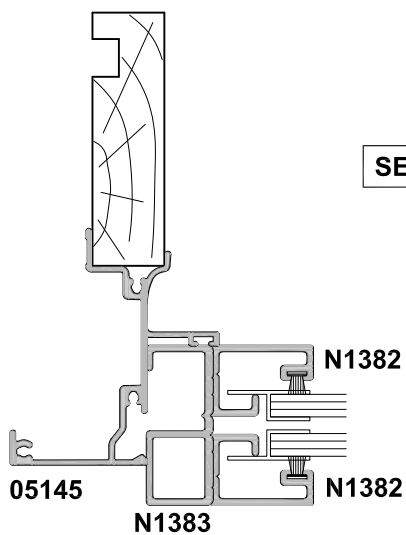
SECTION A-A



Optional Fixed
Base Pane



SECTION B-B



SHUGG SINGLE HUNG WINDOW CROSS SECTION

Cad Ref. ASH02-0 Scale 1:2 Date 01.04.19

