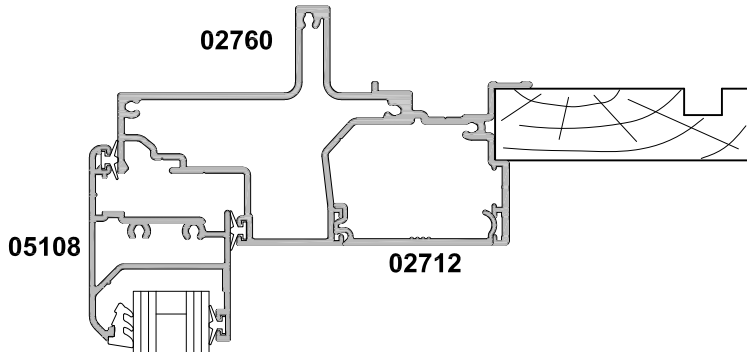
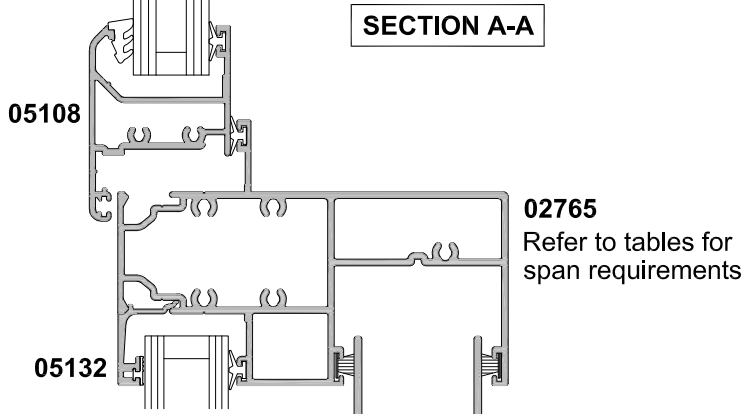


# SLIDEMASTER SLIDING WINDOW SF DOUBLE GLAZED WITH OVERLIGHT CROSS SECTION

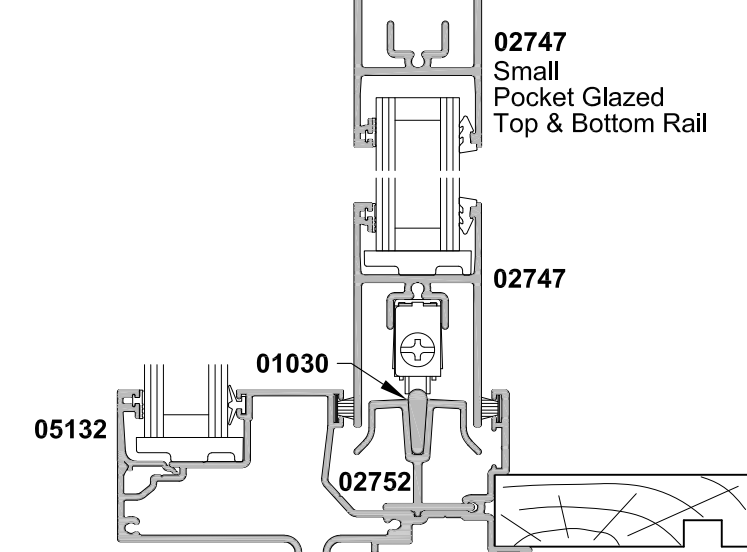
Cad Ref. ASW01-0 Scale 1:2 Date 01.04.19



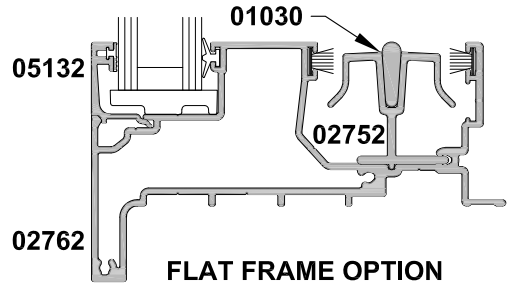
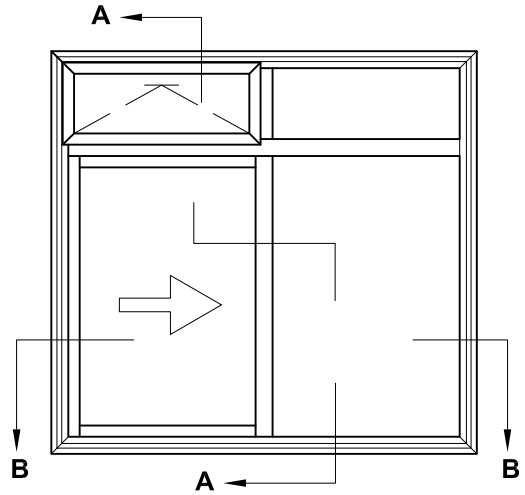
**SECTION A-A**



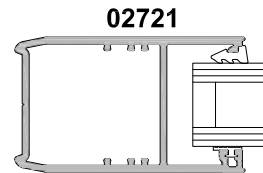
**02765**  
Refer to tables for span requirements



**02747**  
Small Pocket Glazed Top & Bottom Rail

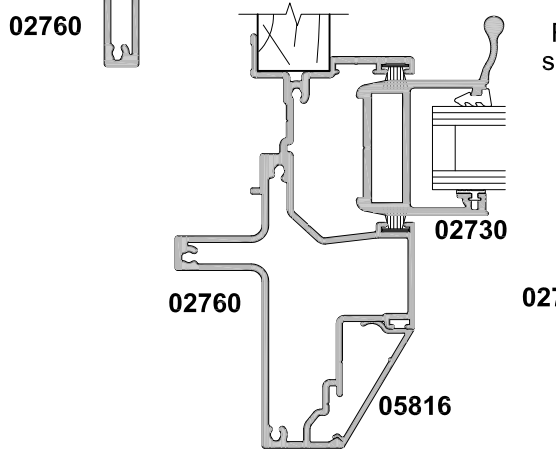


**FLAT FRAME OPTION**

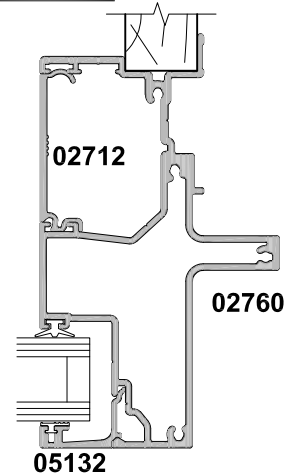
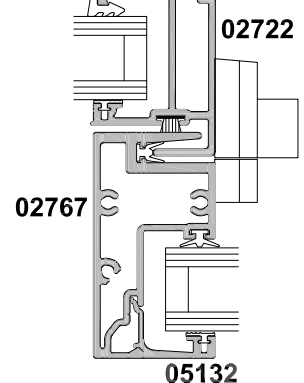


**ALTERNATIVE STILE OPTION**

**SECTION B-B**

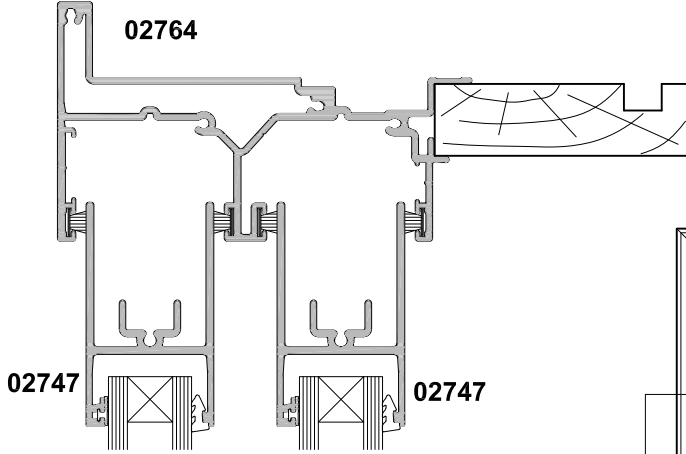


Refer to tables for span requirements

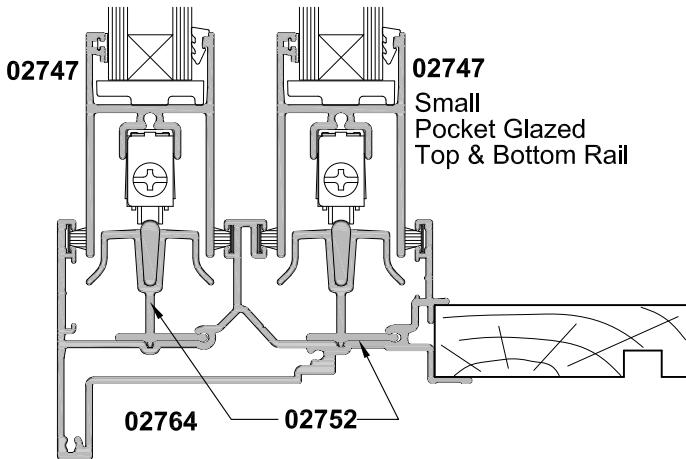
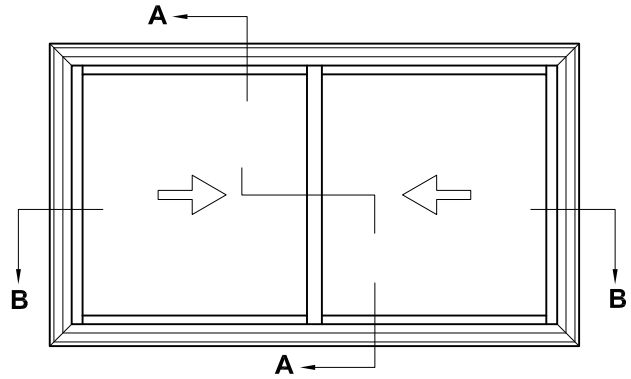


# SLIDEMASTER SLIDING WINDOW SS BYPASS SLIDER CROSS SECTION

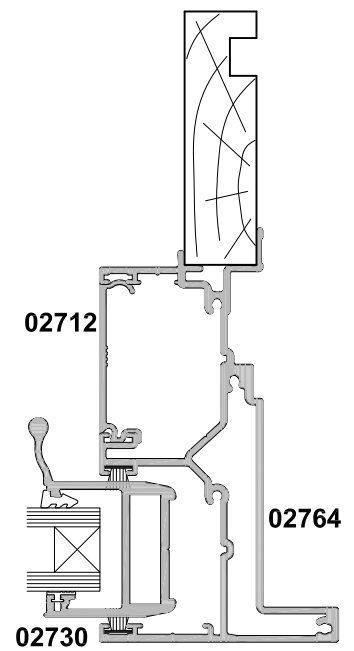
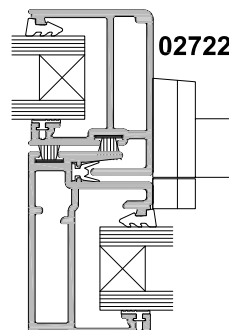
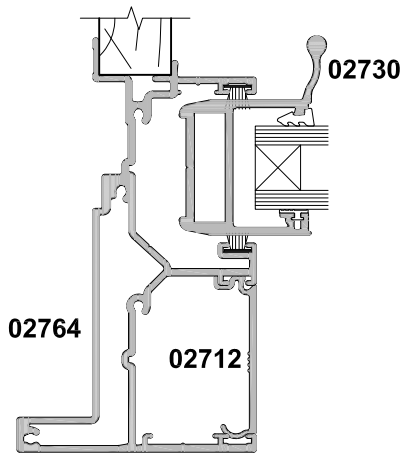
Cad Ref. ASW02-0    Scale 1:2    Date 01.04.19



**SECTION A-A**



**SECTION B-B**

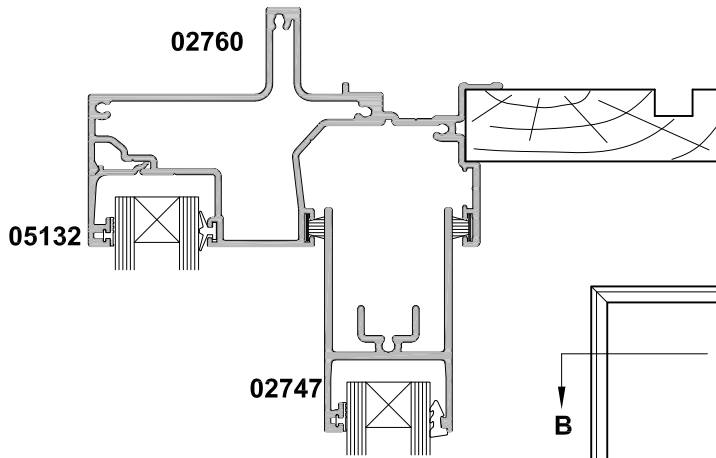


**02723**

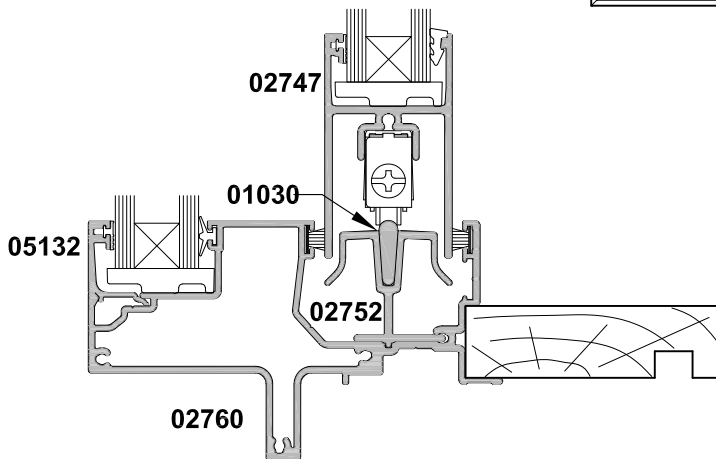
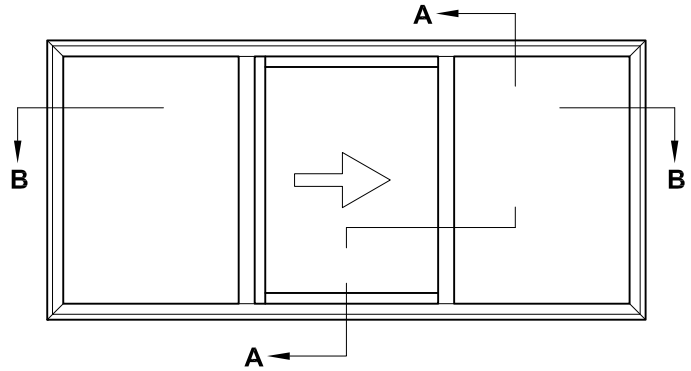
Refer to tables for  
span requirements

# SLIDEMASTER SLIDING WINDOW FSF DOUBLE GLAZED CROSS SECTION

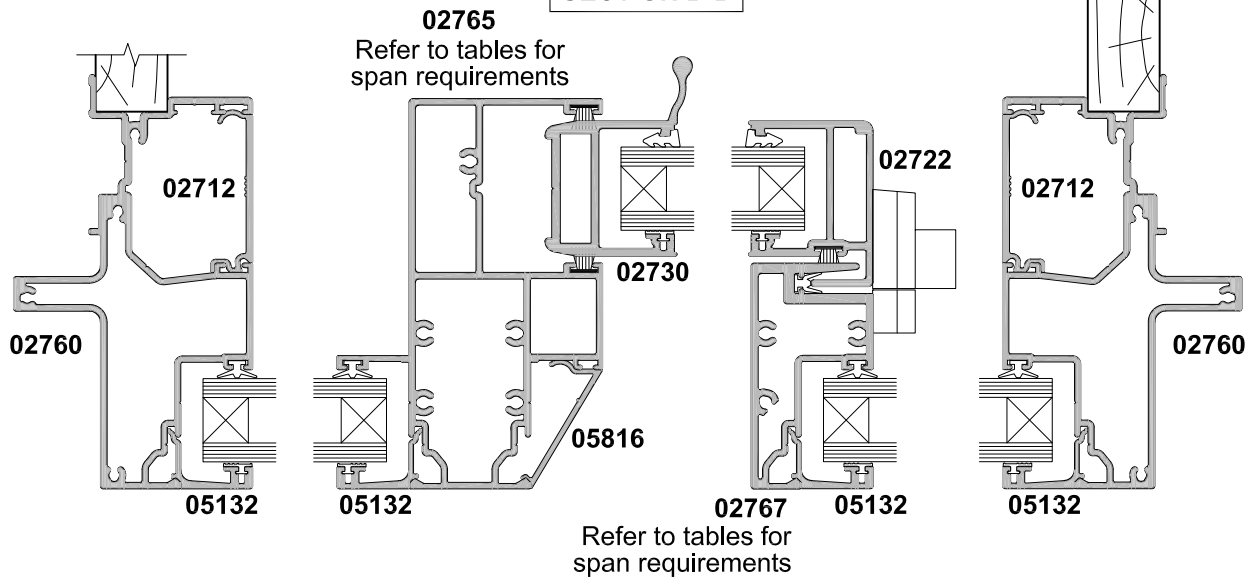
Cad Ref. ASW03-0    Scale 1:2    Date 01.04.19



**SECTION A-A**

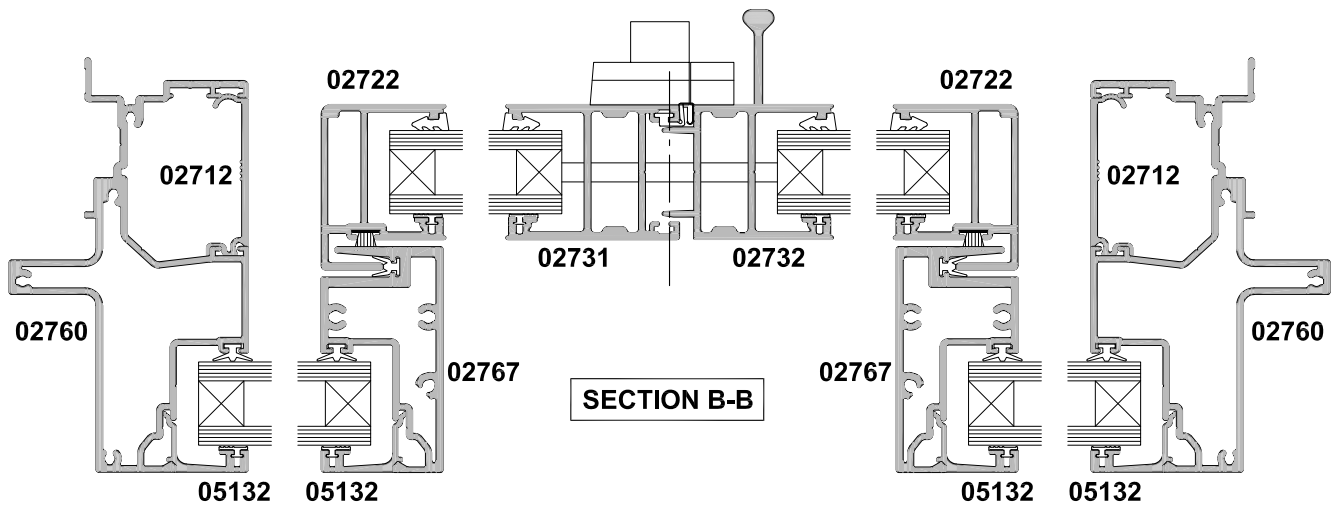
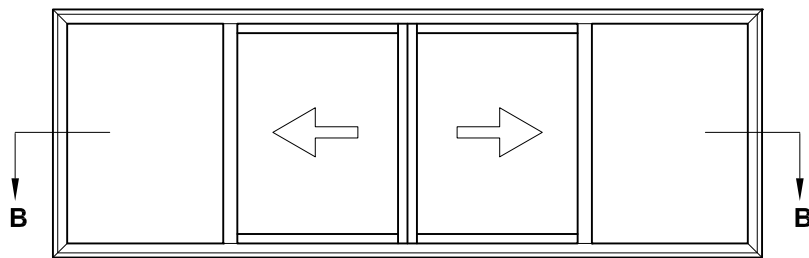
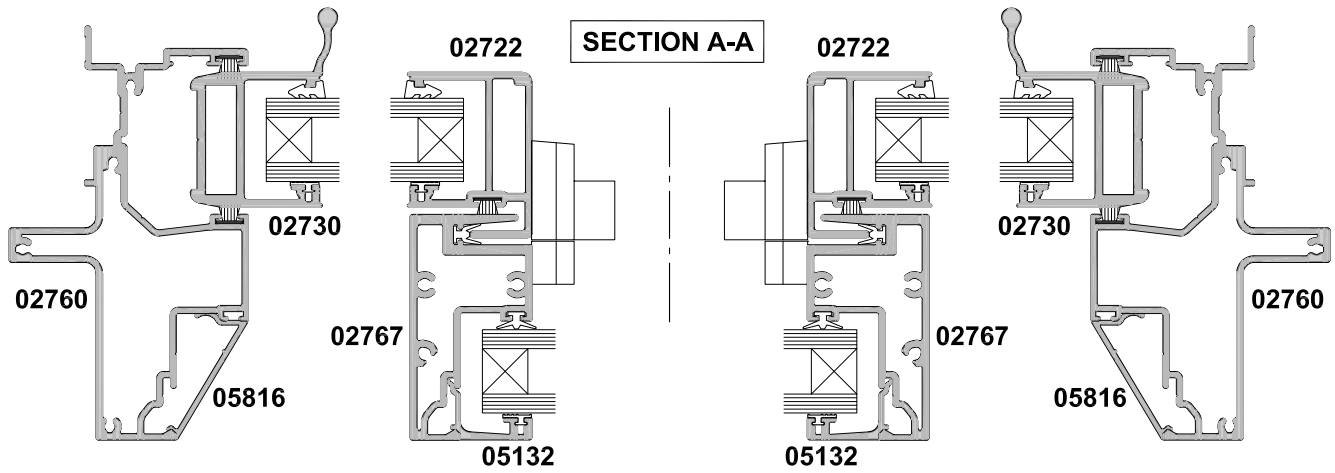
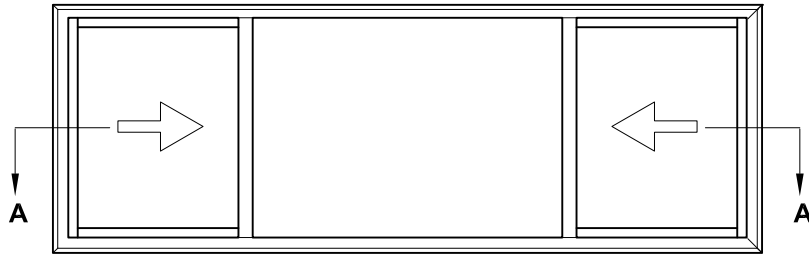


**SECTION B-B**



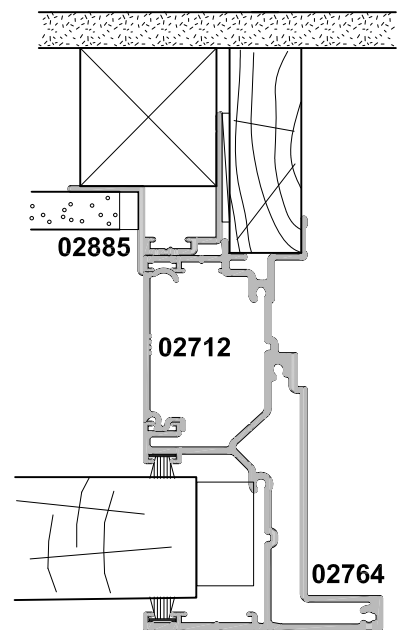
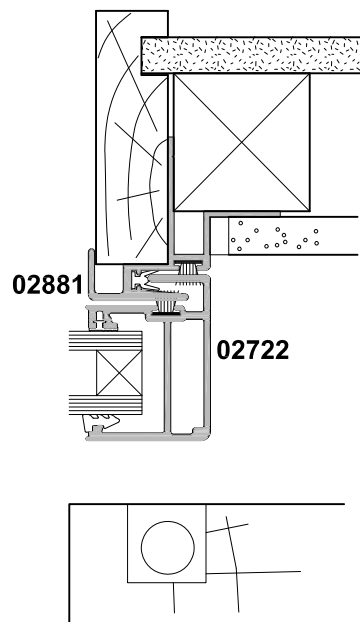
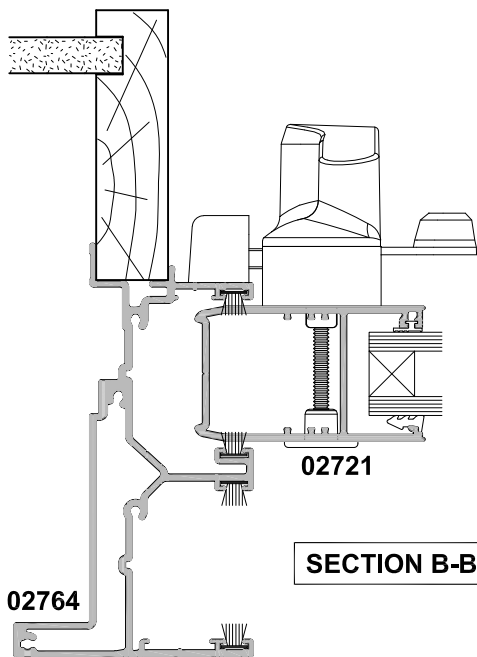
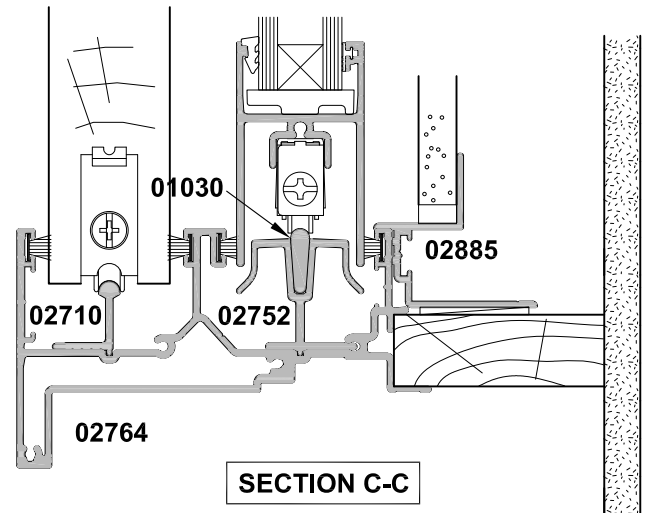
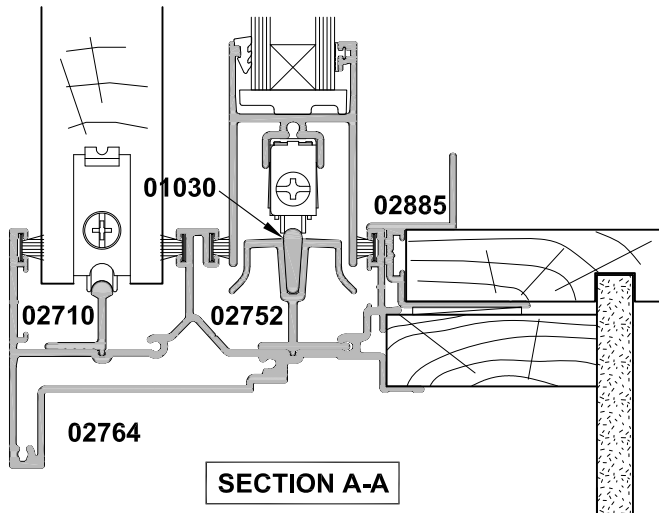
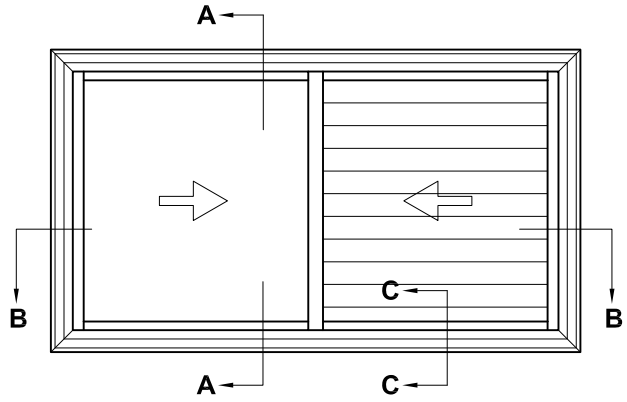
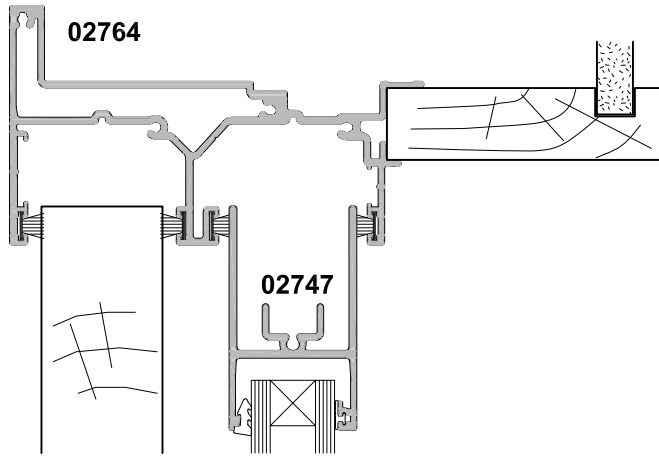
# SLIDEMASTER SLIDING WINDOW SFS / FSSF DOUBLE GLAZED CROSS SECTION

Cad Ref. ASW04-0    Scale 1:2    Date 01.04.19



# SLIDEMASTER SLIDING WINDOW SS WITH TIMBER SHUTTER CROSS SECTION

Cad Ref. ASW05-0    Scale 1:2    Date 01.04.19

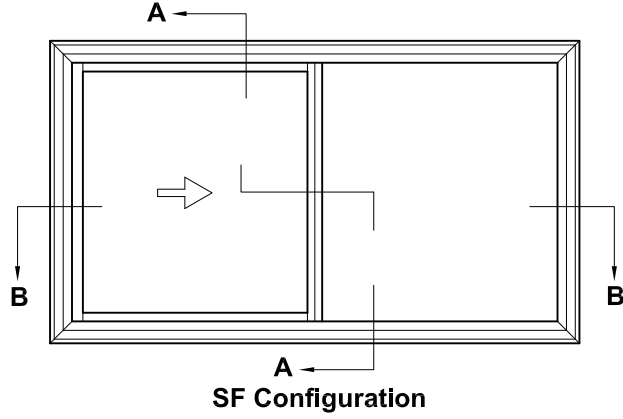
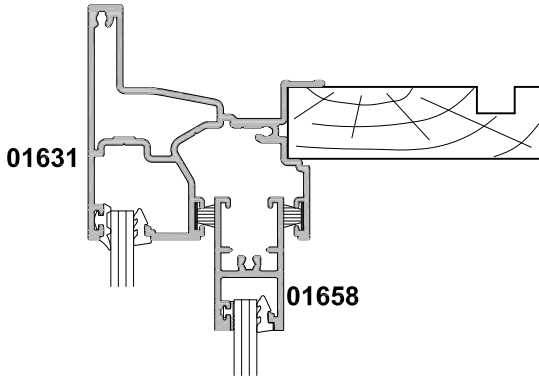


# SLIMLINE SLIDING WINDOW SF SINGLE SLIDING PANEL CROSS SECTION

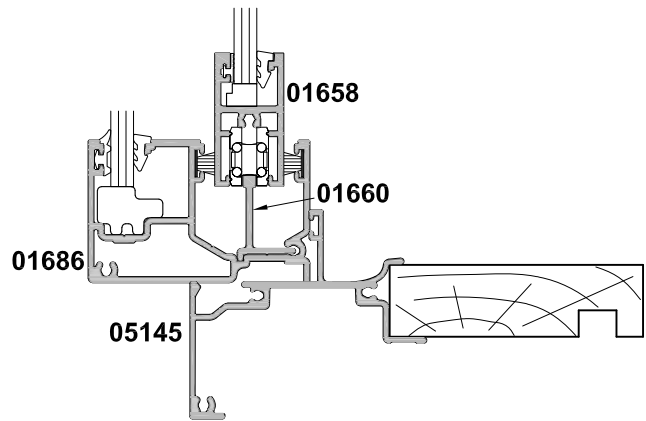
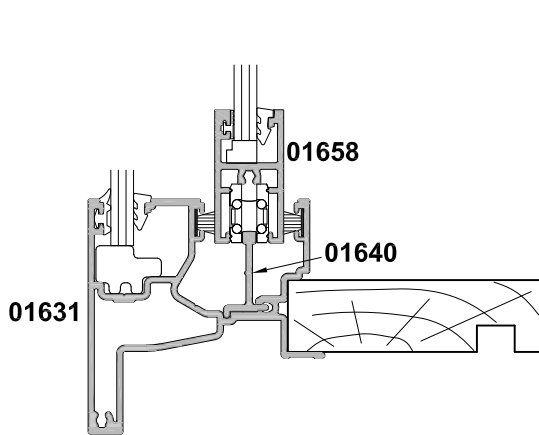
Cad Ref. ASL01-0

Scale 1:2

Date 01.04.19

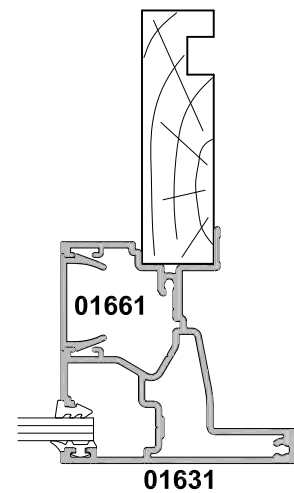
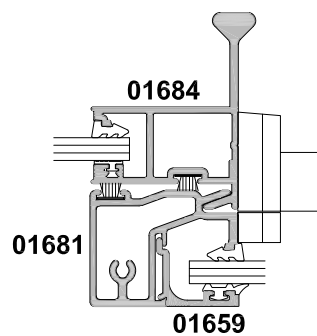
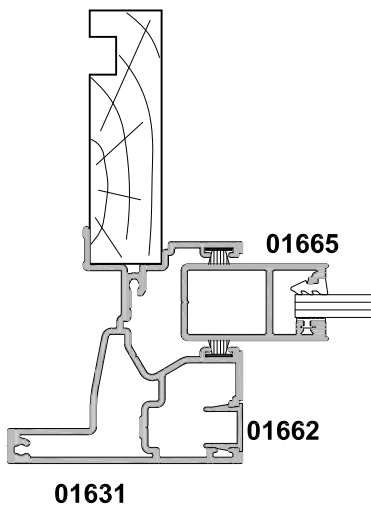


**SECTION A-A**



**INSERT FRAME OPTION**

**SECTION B-B**



# SLIMLINE SLIDING WINDOW

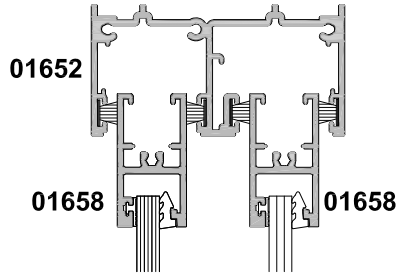
## SS DOUBLE SLIDING PANEL & FSSF FOUR PANEL

### CROSS SECTION

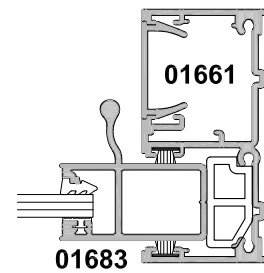
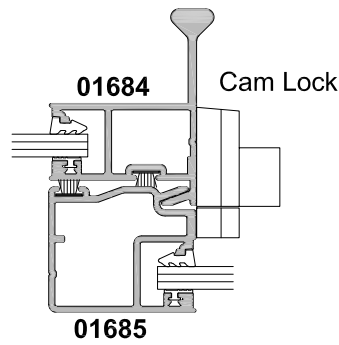
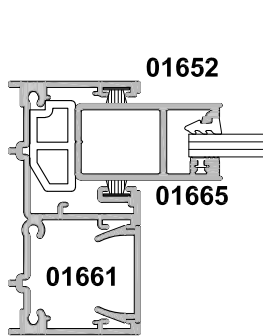
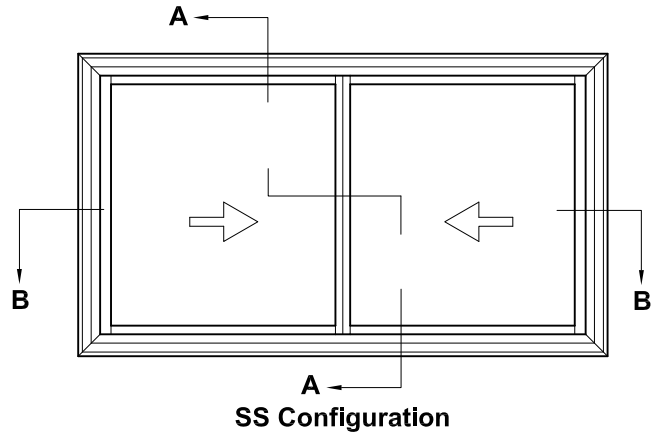
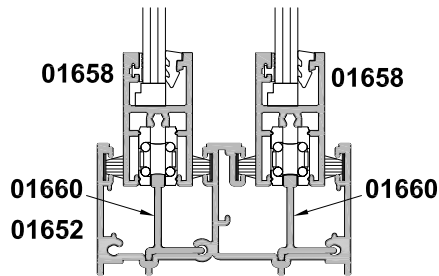
Cad Ref. ASL02-0

Scale 1:2

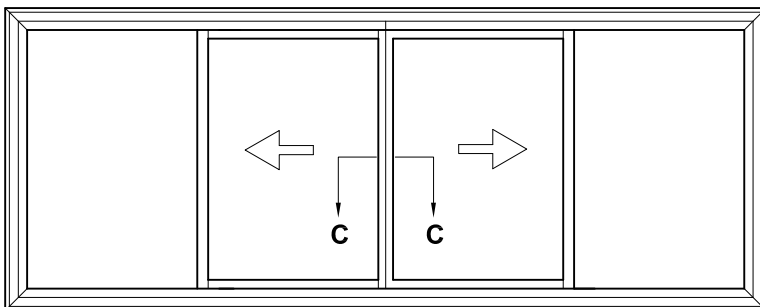
Date 01.04.19



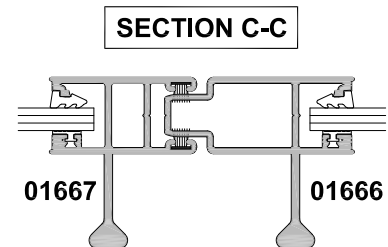
**SECTION A-A**



**SECTION B-B**



**FSSF Sliding Window**



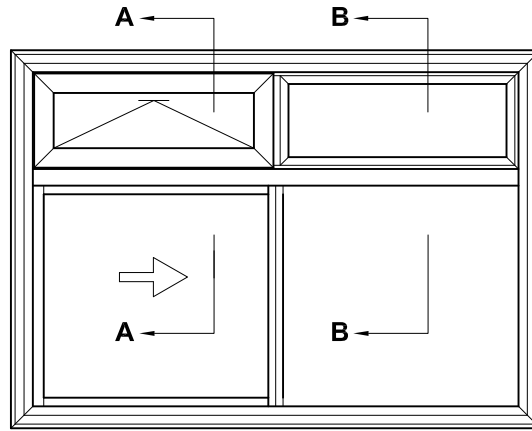
**SECTION C-C**

**SLIMLINE SLIDING WINDOW  
SF WITH OVERLIGHT SASH  
CROSS SECTION**

Cad Ref. ASL03-0

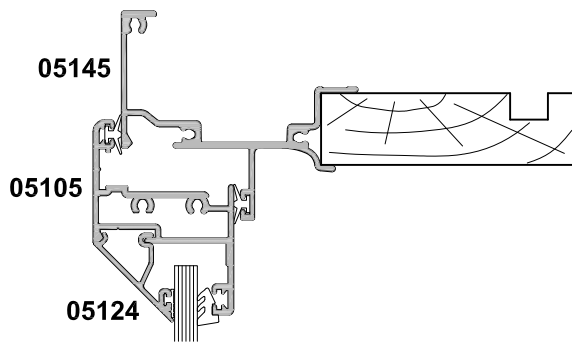
Scale 1:2

Date 01.04.19

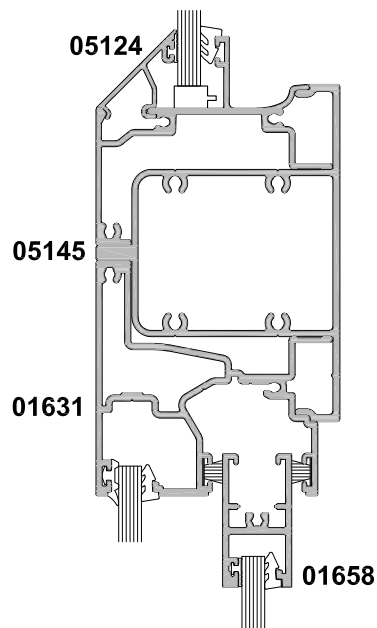
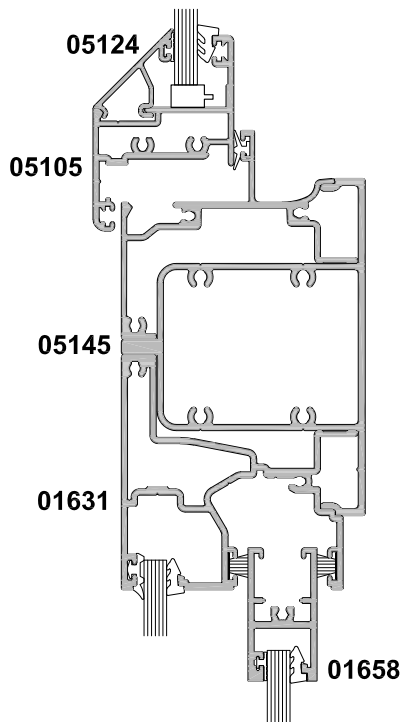
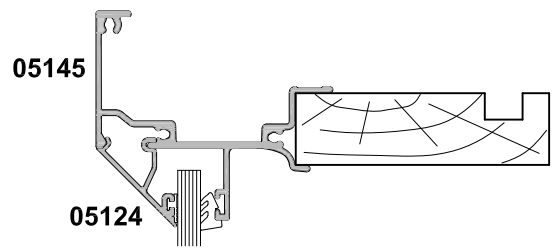


**SF With Overlight / Ventlight**

**SECTION A-A**



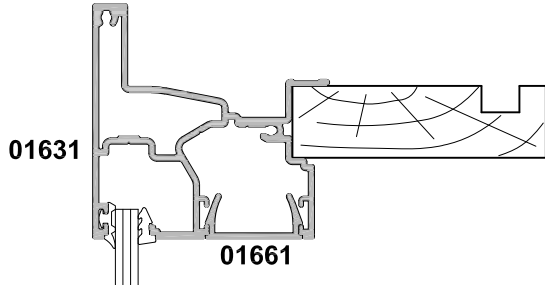
**SECTION B-B**



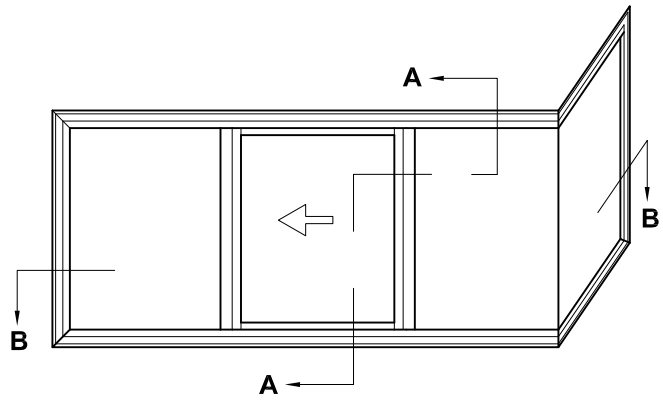


# SLIMLINE SLIDING WINDOW FSF BUTT JOINTED CORNER CROSS SECTION

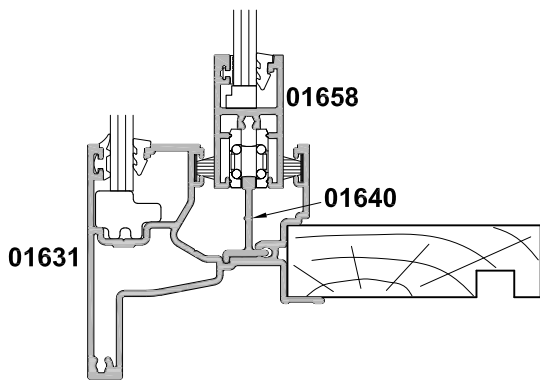
Cad Ref. ASL04-0    Scale 1:2    Date 01.04.19



**SECTION A-A**



**FSF With Butt Jointed Corner**



**SECTION B-B**

