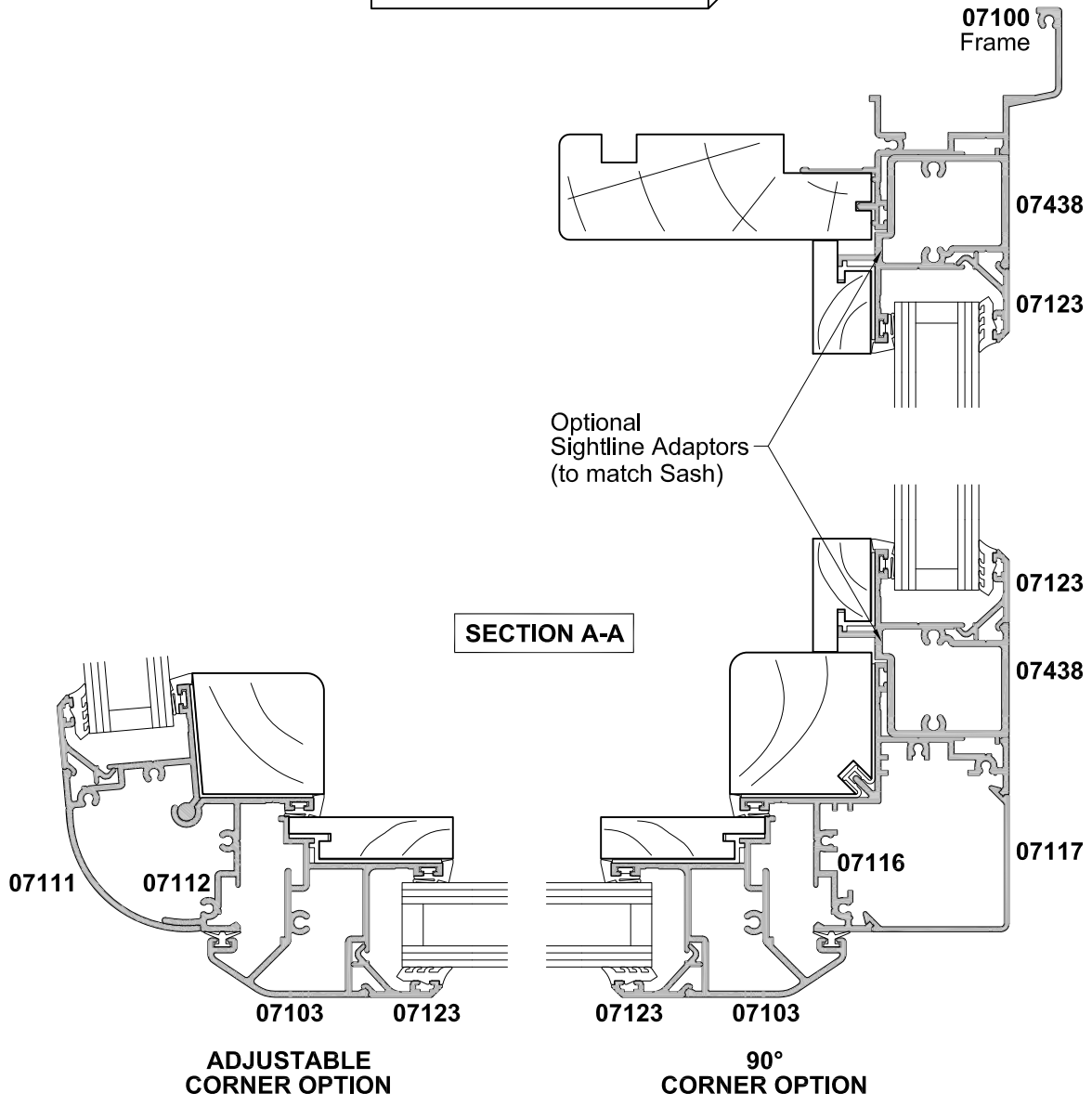
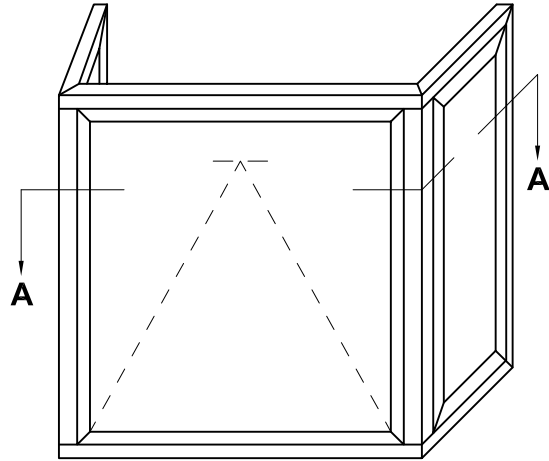




BOX WINDOW CROSS SECTION

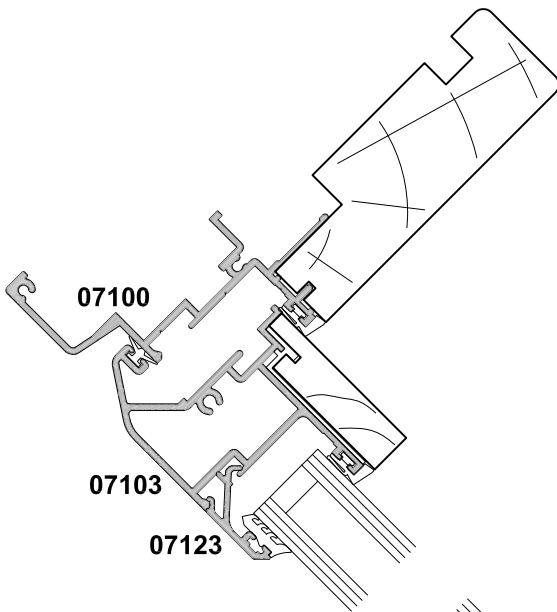
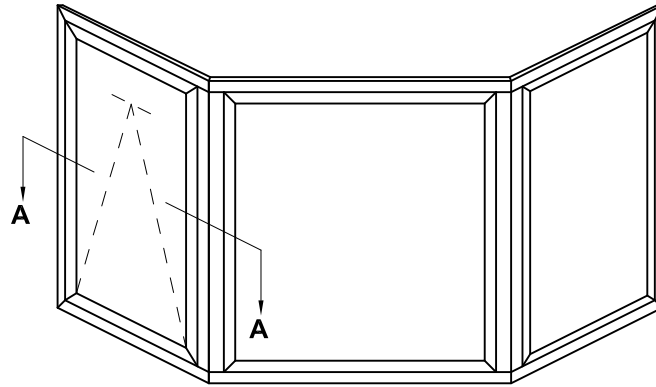
Cad Ref. SGH01-0 Scale 1:2 Date 01.06.11



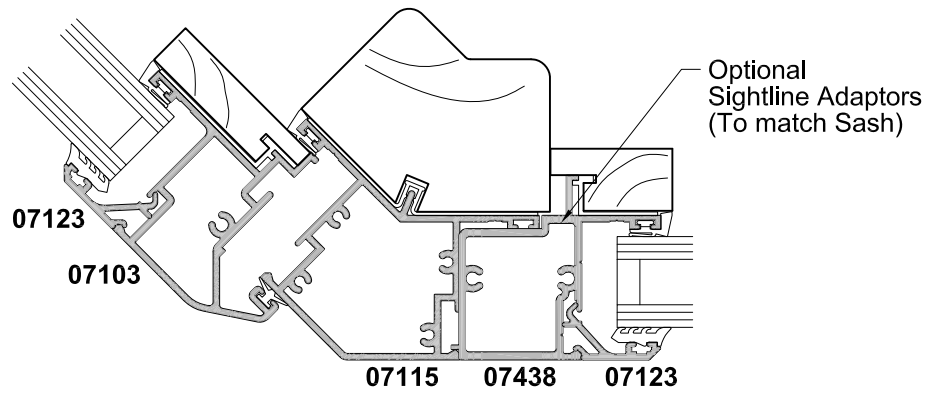


BAY WINDOW CROSS SECTION

Cad Ref. SGH02-0 Scale 1:2 Date 01.06.11



SECTION A-A

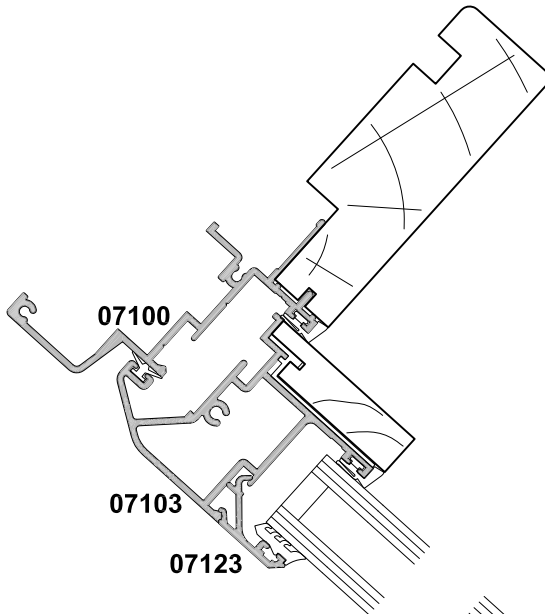
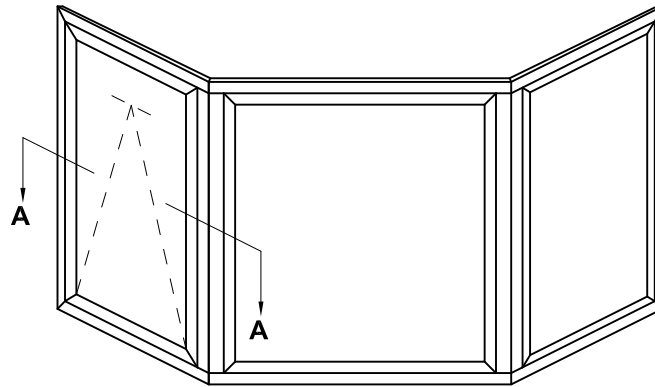


**135°
CORNER OPTION**

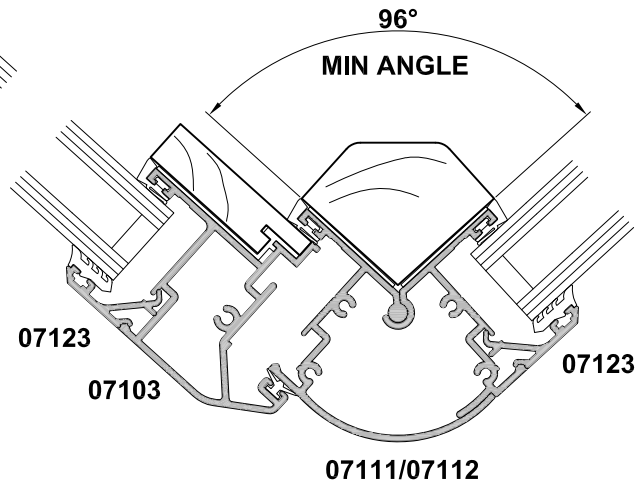


ADJUSTABLE BAY WINDOW CROSS SECTION

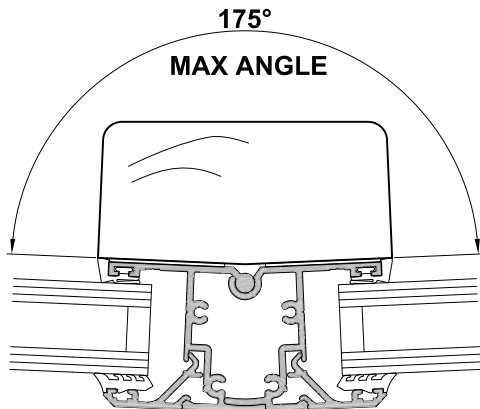
Cad Ref. SGH03-0 Scale 1:2 Date 01.06.11



SECTION A-A



ADJUSTABLE
CORNER OPTION



ADJUSTABLE
CORNER OPTION