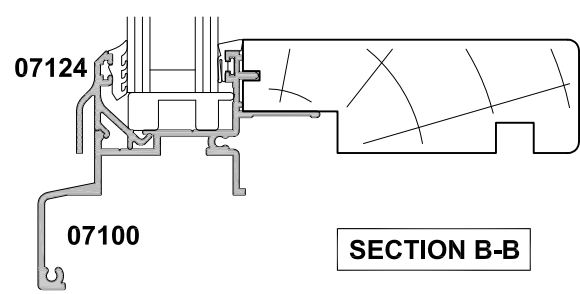
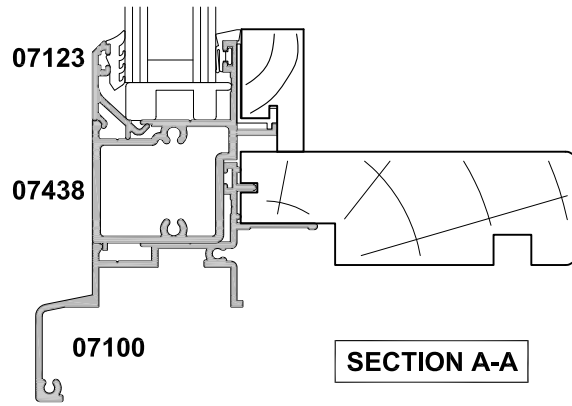
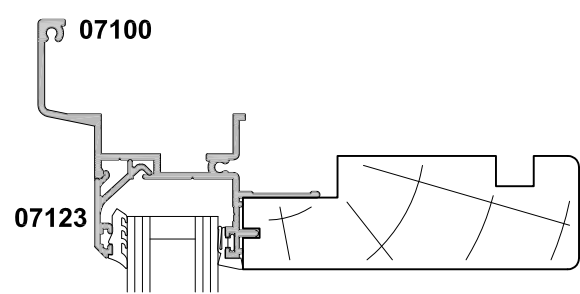
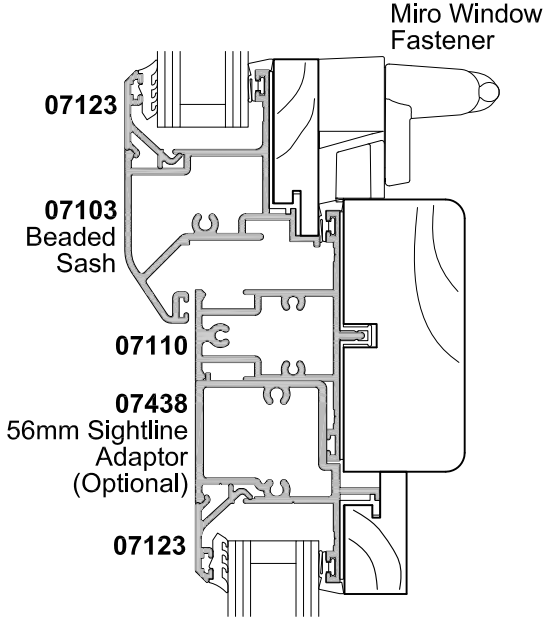
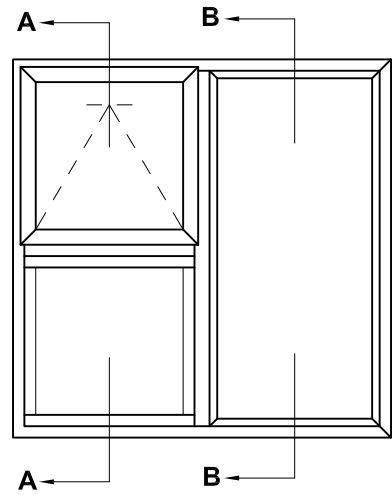
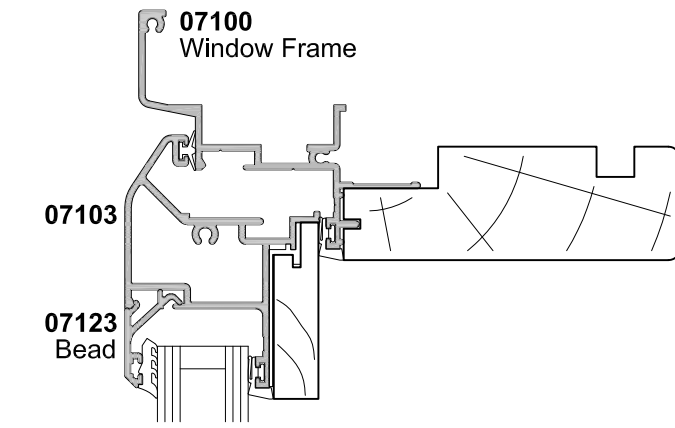




# AWNING WINDOW AND FIXED LIGHT CROSS SECTION

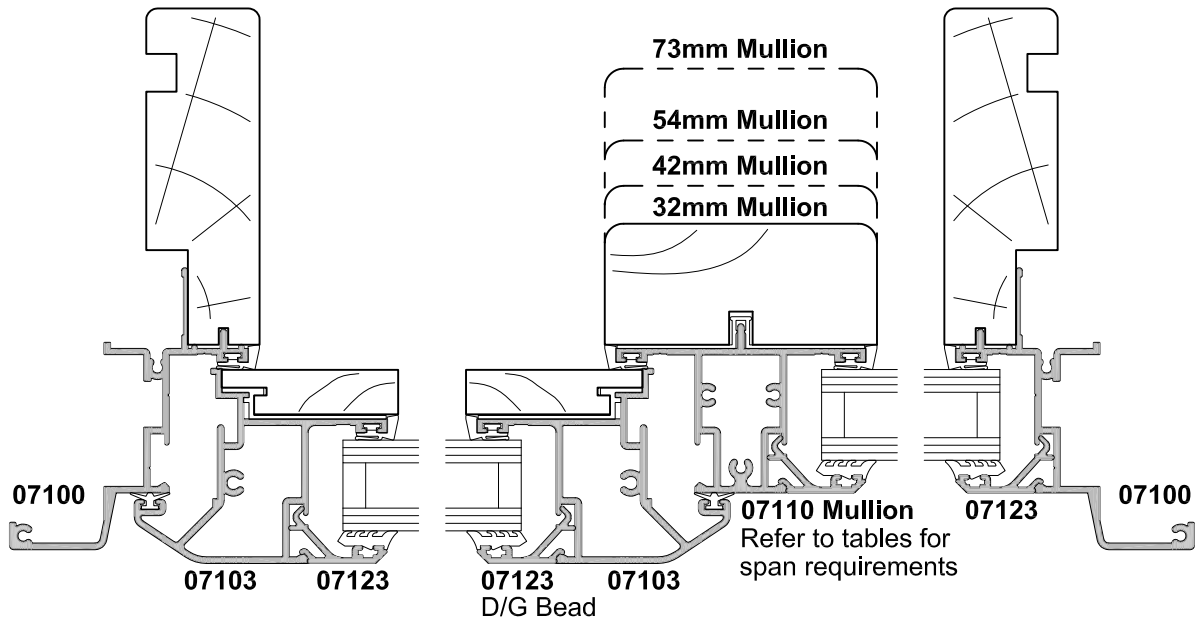
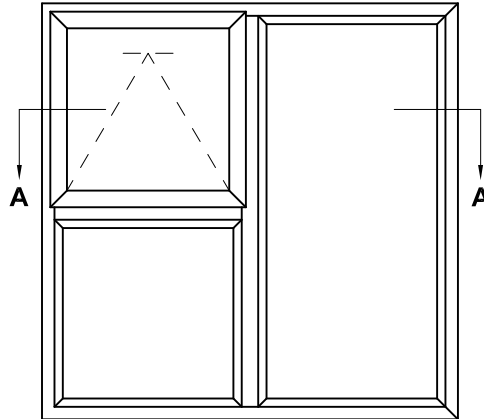
Cad Ref. SAW01-0    Scale 1:2    Date 01.06.11





# AWNING WINDOW AND FIXED LIGHT CROSS SECTION

Cad Ref. SAW02-0    Scale 1:2    Date 01.06.11



SECTION A-A



# AWNING WINDOW, FRENCH CASEMENT CROSS SECTION

Cad Ref. SAW03-0    Scale 1:2    Date 01.06.11

