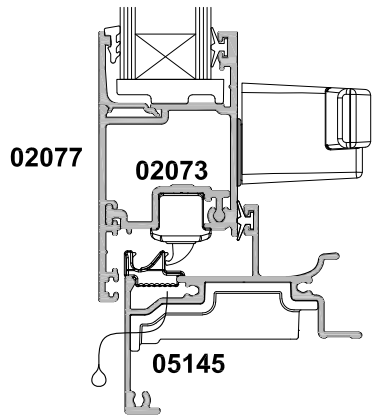
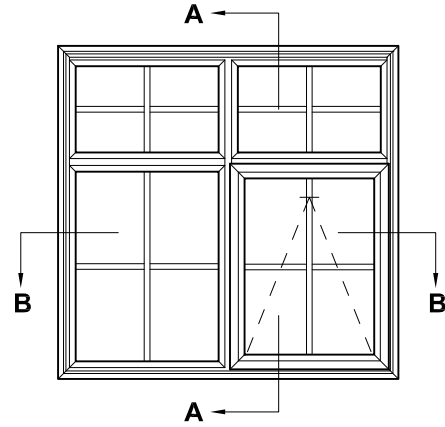
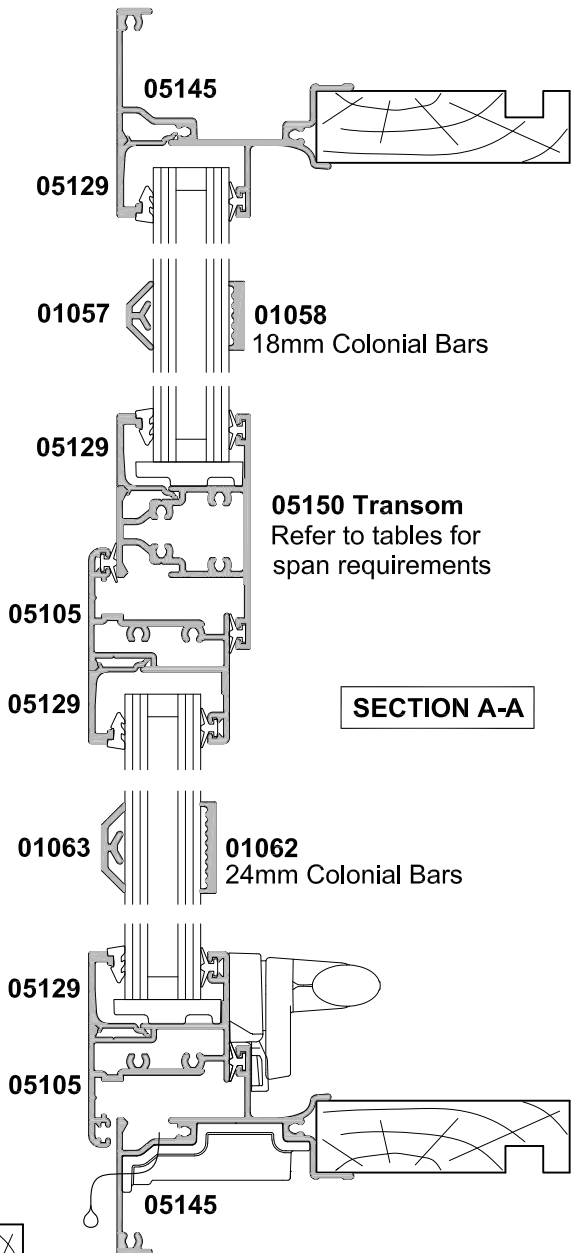


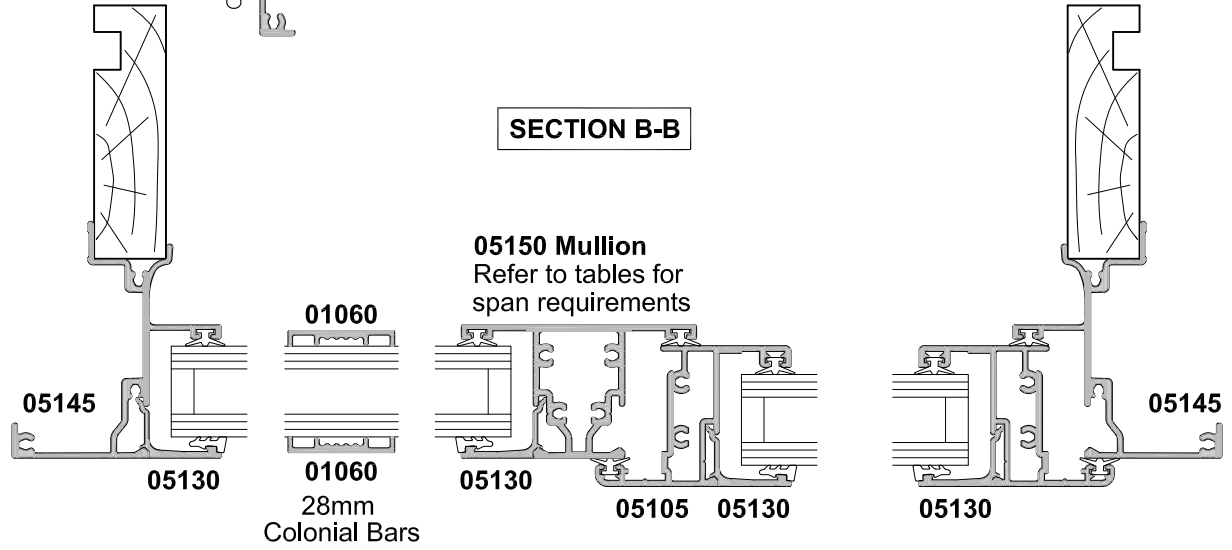
AWNING WINDOW, BEADED SASH AND ESPAGNOLETTE SASH OPTION

CROSS SECTION

Cad Ref. AAW01-0 Scale 1:2 Date 01.04.19

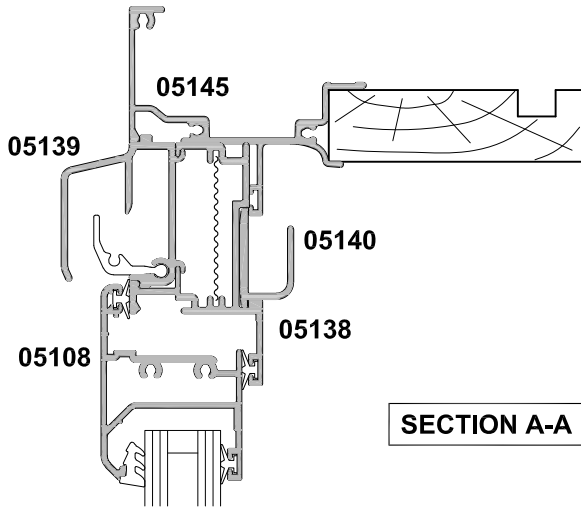


ESPAGNOLETTE SASH OPTION

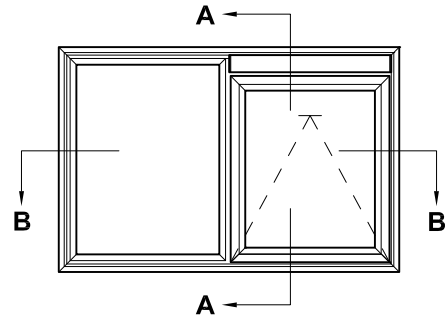


AWNING WINDOW, DOUBLE GLAZED VENTED SASH AND AEROVENT CROSS SECTION

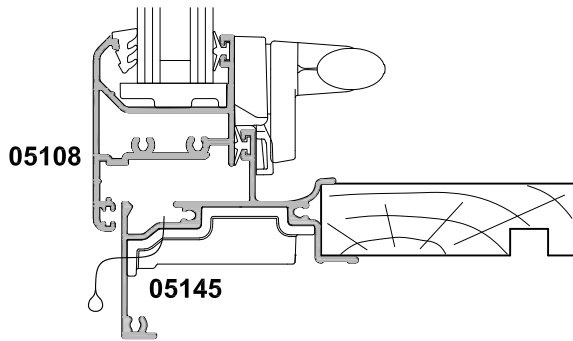
Cad Ref. AAW02-0 Scale 1:2 Date 01.04.19



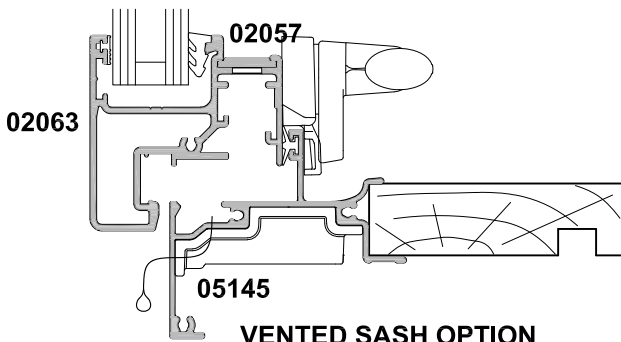
SECTION A-A



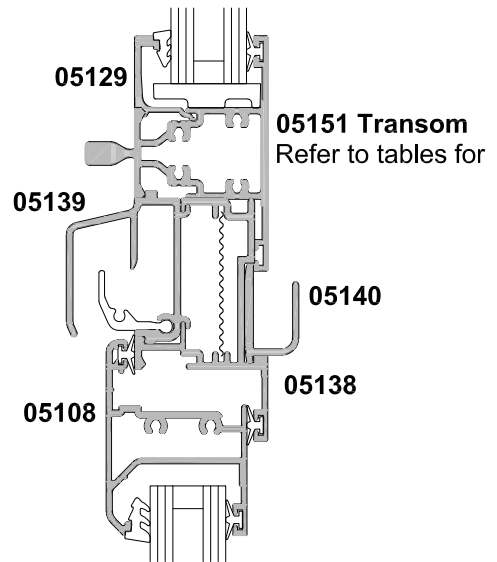
Due to clearance issues it is not recommended to have casement sashes below Aerovent.



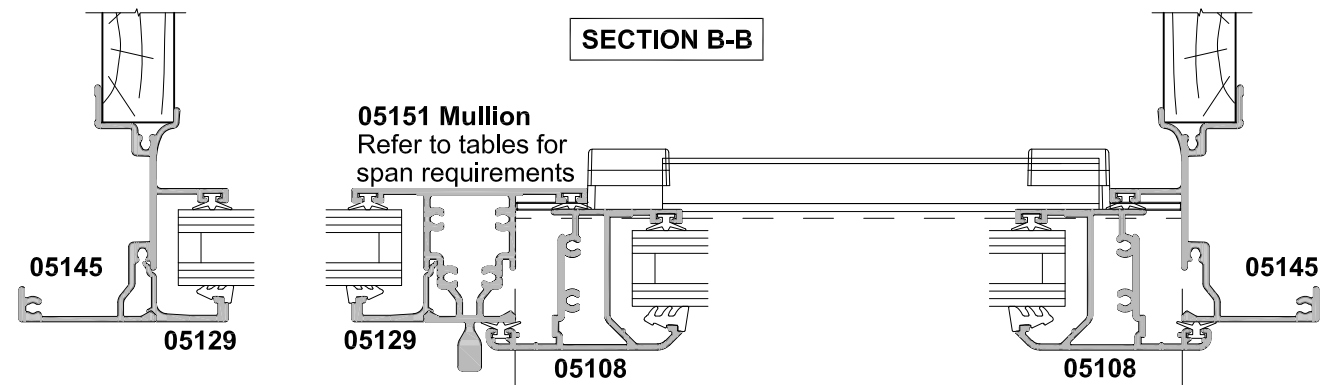
VENTED SASH OPTION



VENTED SASH OPTION



AEROVENT AT TRANSOM OPTION



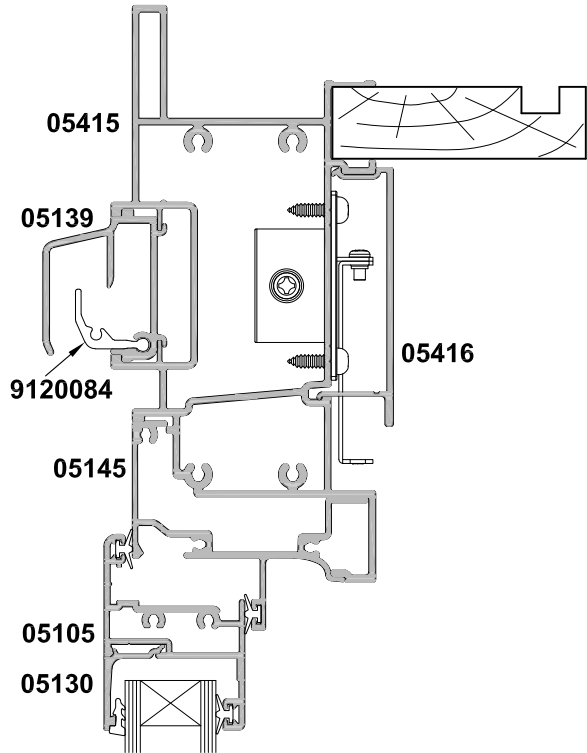
SECTION B-B

05151 Mullion
Refer to tables for span requirements

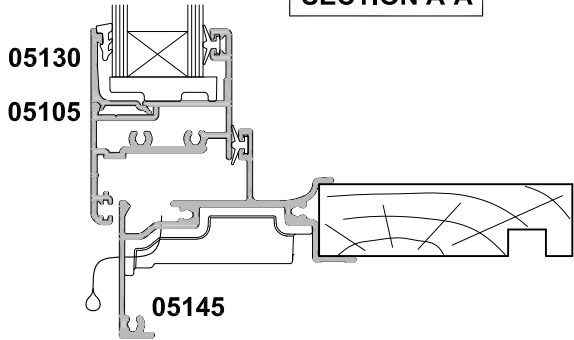
AWNING WINDOW, DOUBLE GLAZED VENTIENT

CROSS SECTION

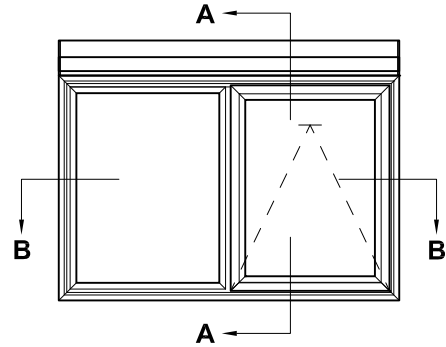
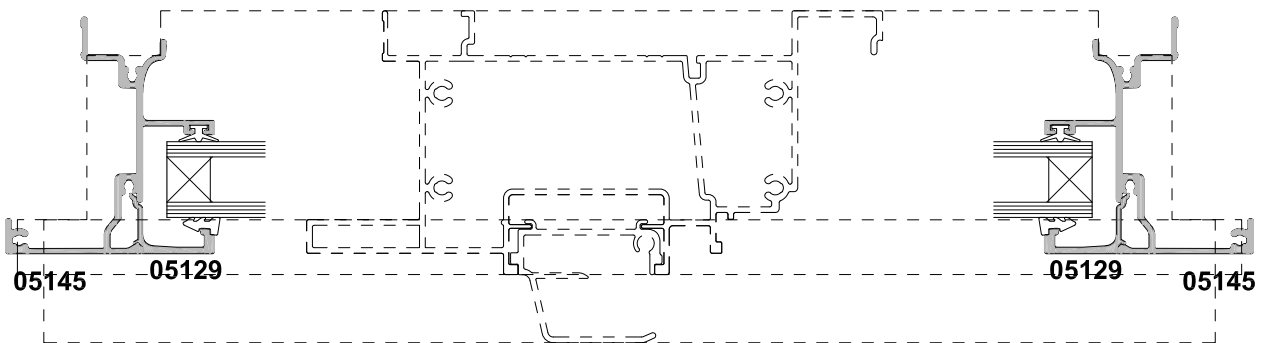
Cad Ref. AAW03-0 Scale 1:2 Date 01.04.19



SECTION A-A

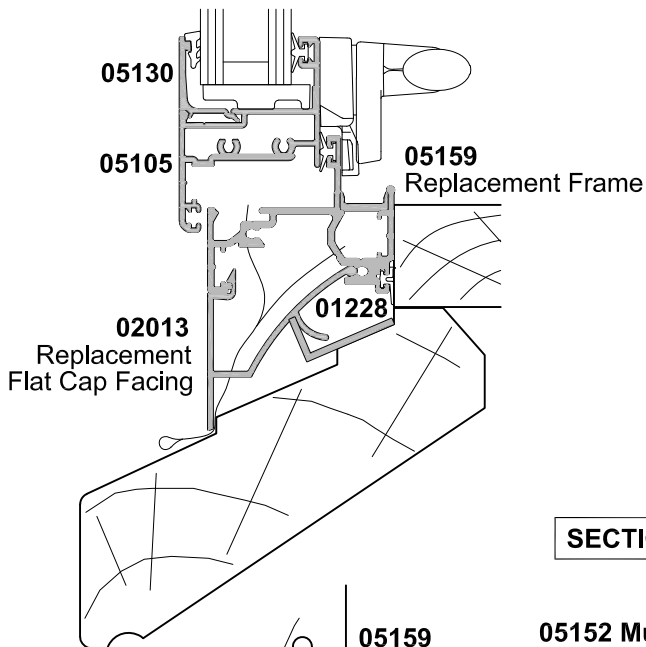
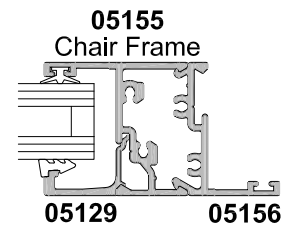
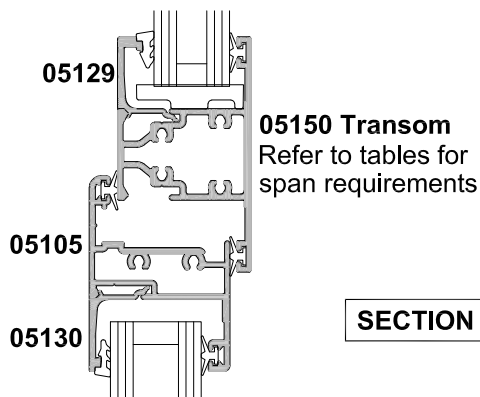
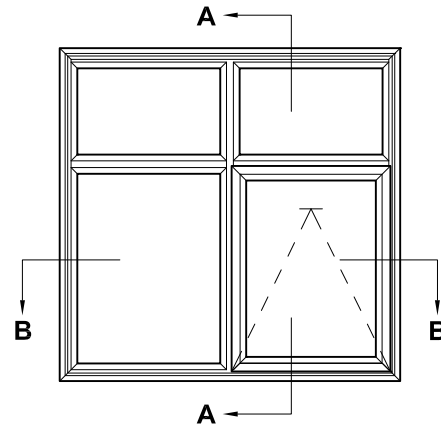
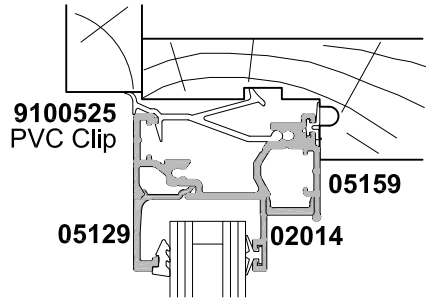


SECTION B-B

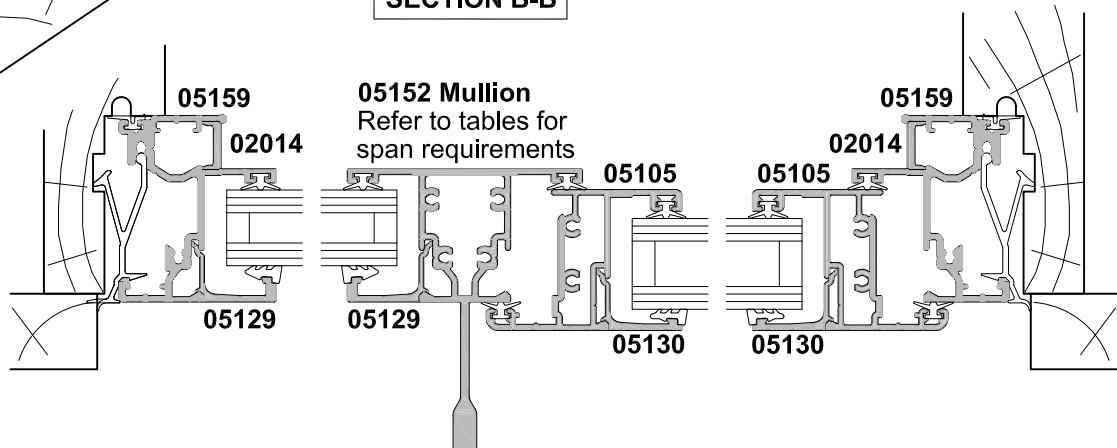


AWNING WINDOW REPLACEMENT FRAME AND CHAIR FRAME CROSS SECTION

Cad Ref. AAW04-0 Scale 1:2 Date 03.10.19

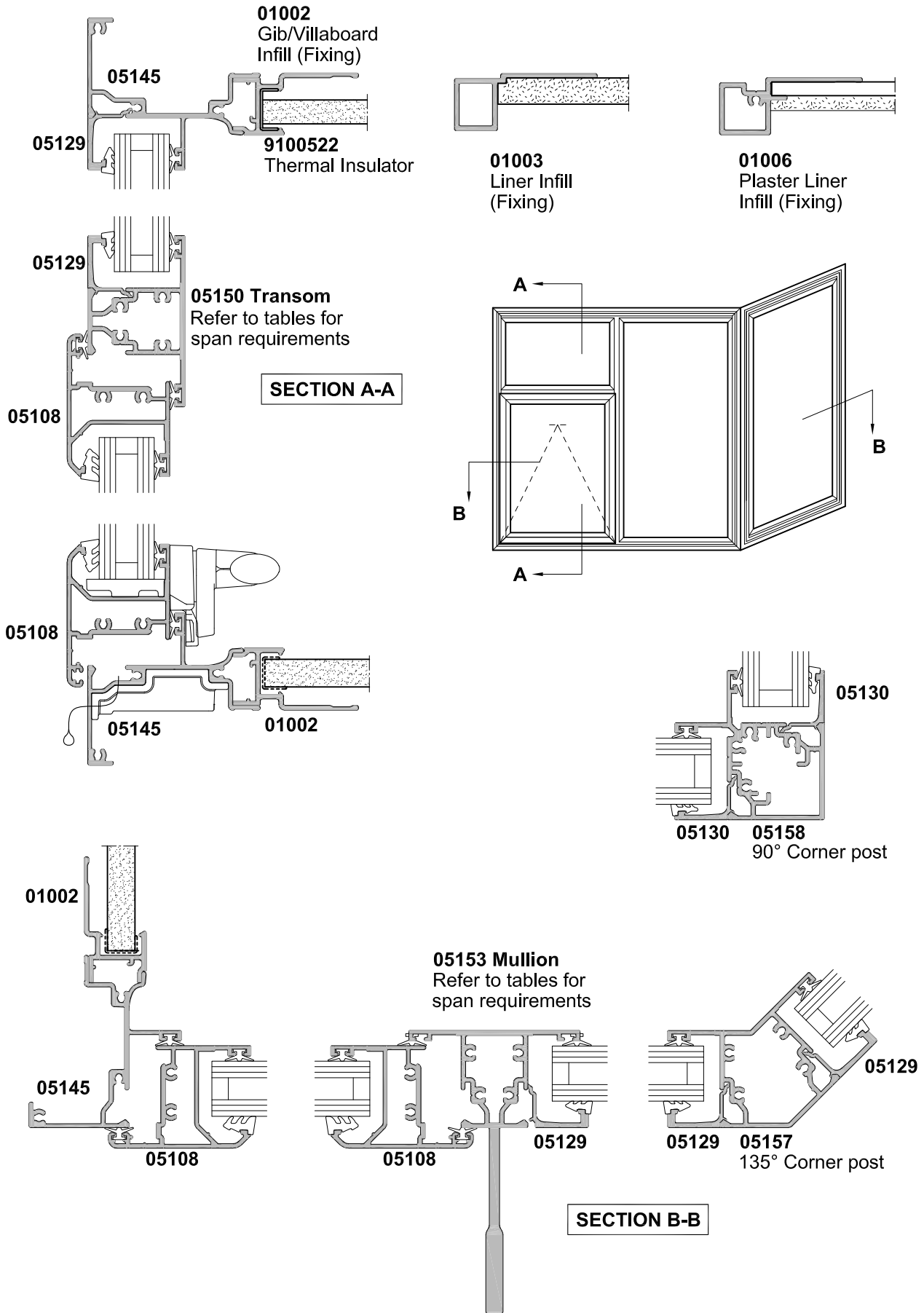


SECTION B-B



AWNING WINDOW 90° AND 135° CORNER POSTS AND LINER ADAPTORS CROSS SECTION

Cad Ref. AAW05-0 Scale 1:2 Date 01.04.19



CASEMENT WINDOW AND FRENCH CASEMENT WINDOW, D/G SASH & FIXED LIGHT CROSS SECTION

Cad Ref. AAW06-0 Scale 1:2 Date 01.04.19

