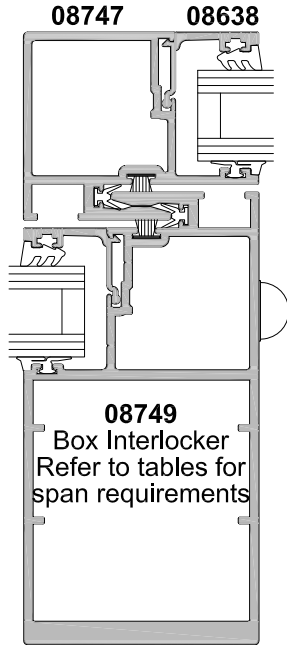
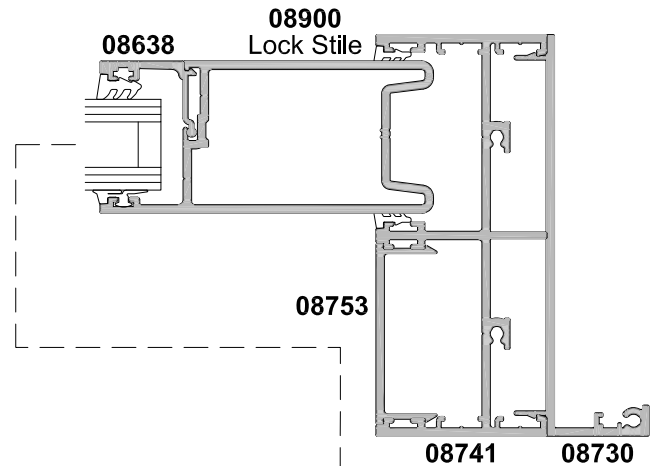
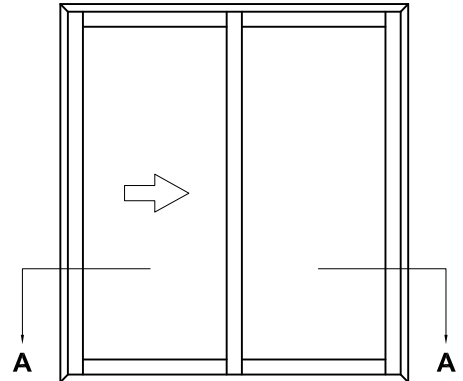


**APL ARCHITECTURAL SERIES**  
**SLIDING DOOR - TWIN TRACK**  
CROSS SECTION

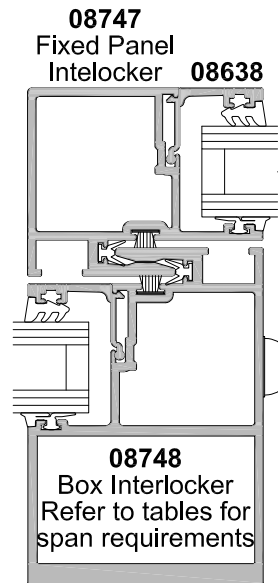
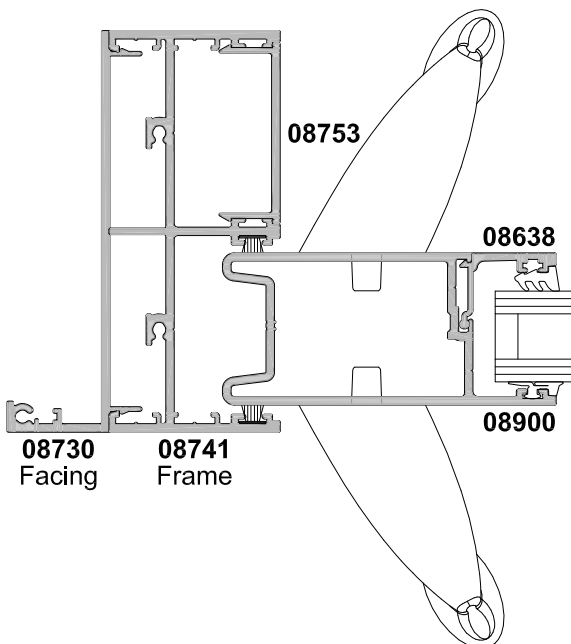
Cad Ref. AASD02-0    Scale 1:2    Date 01.10.16

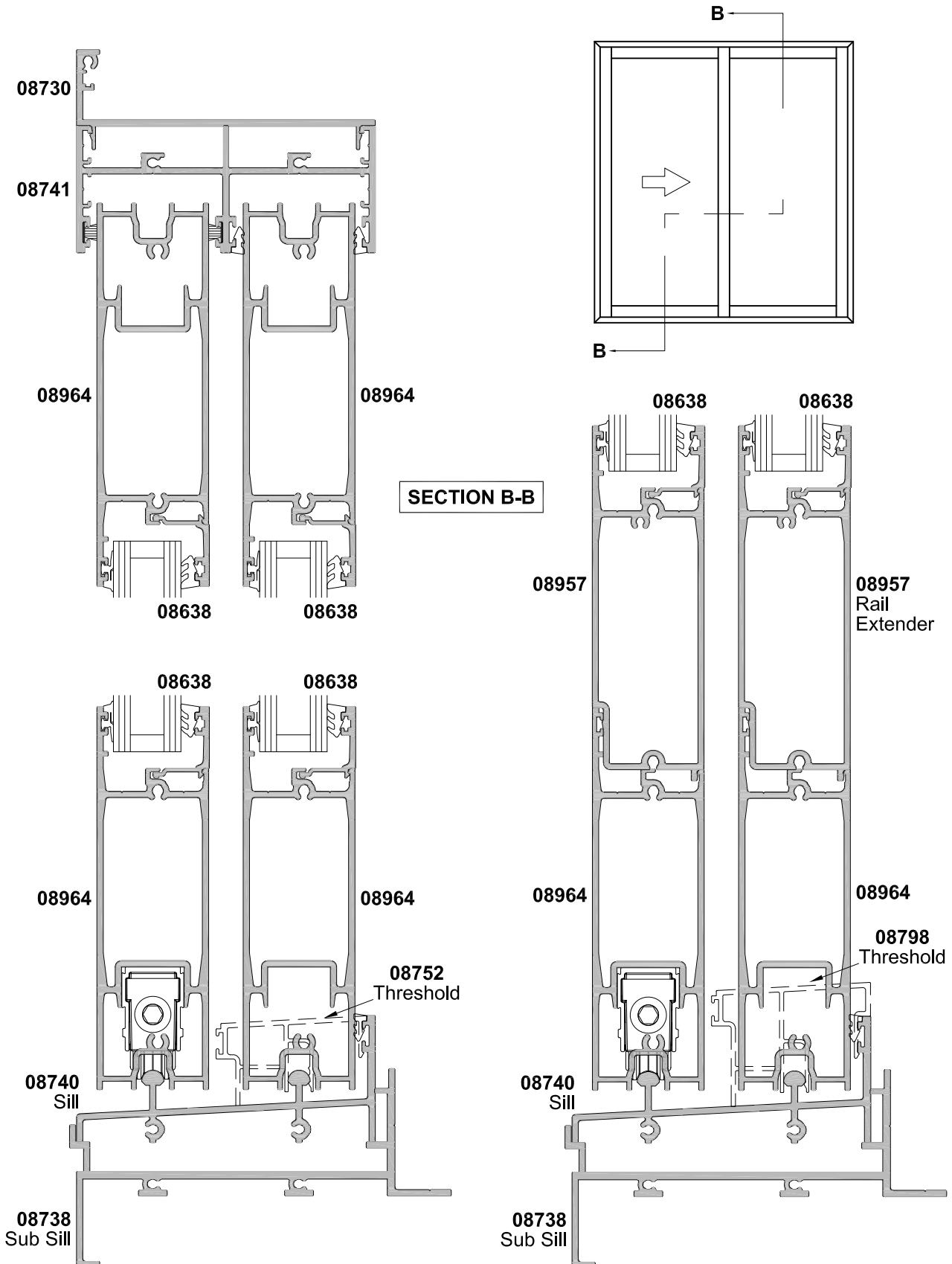


**HEAVY DUTY INTERLOCKER OPTION**



**SECTION A-A**

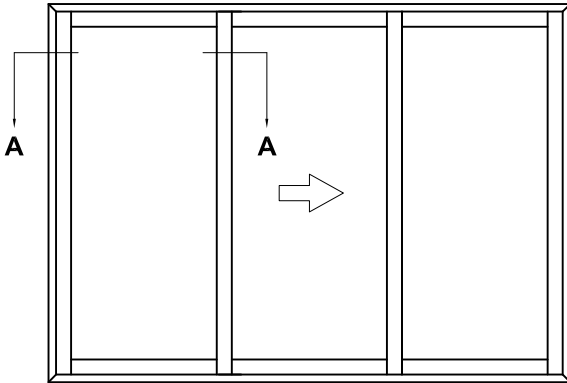




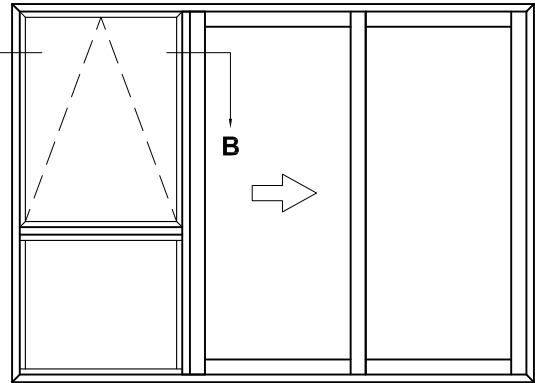
**HIGH PERFORMANCE THRESHOLD AND RAIL EXTENDER OPTION**

**APL ARCHITECTURAL SERIES**  
**SLIDING DOOR - TWIN TRACK, 3 PANEL**  
**CROSS SECTION**

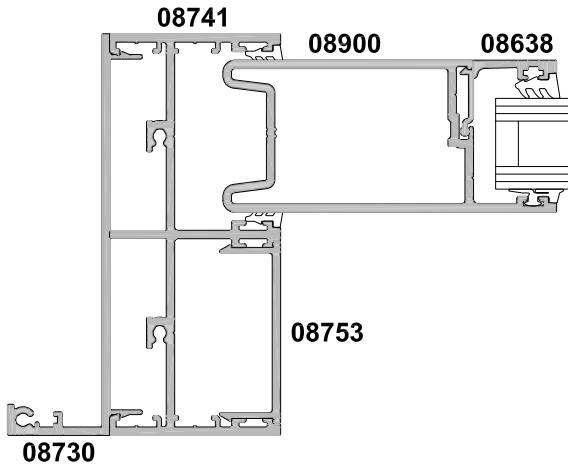
Cad Ref. AASD04-0    Scale 1:2    Date 01.10.16



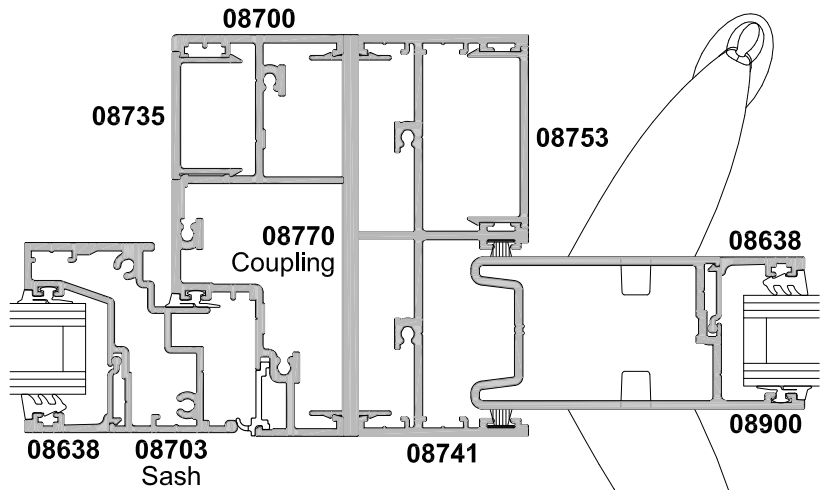
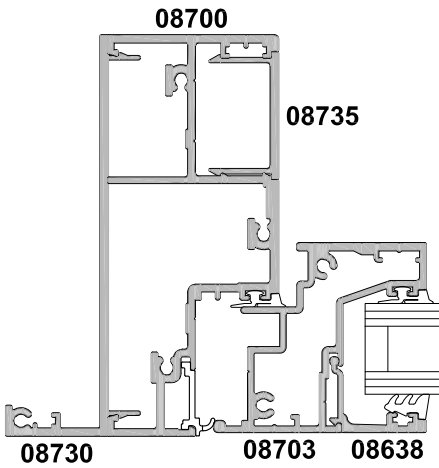
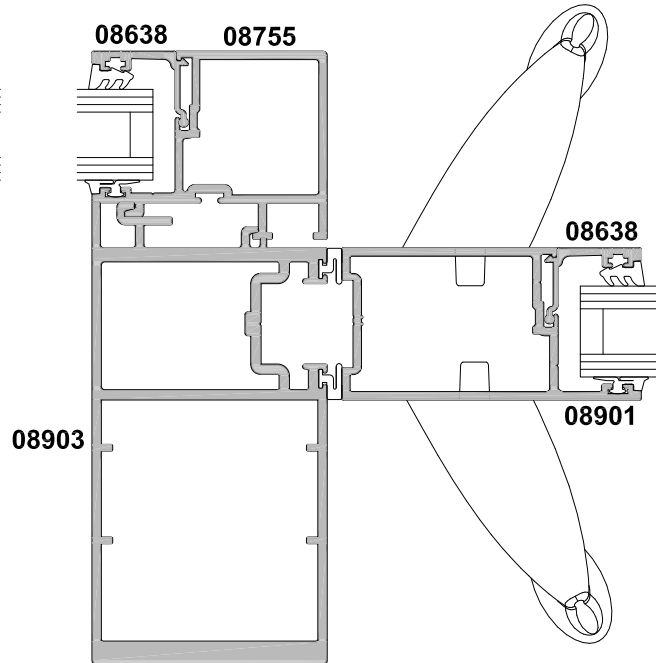
**3 PANEL FSF**



**2 PANEL SF WITH AWNING WINDOW**



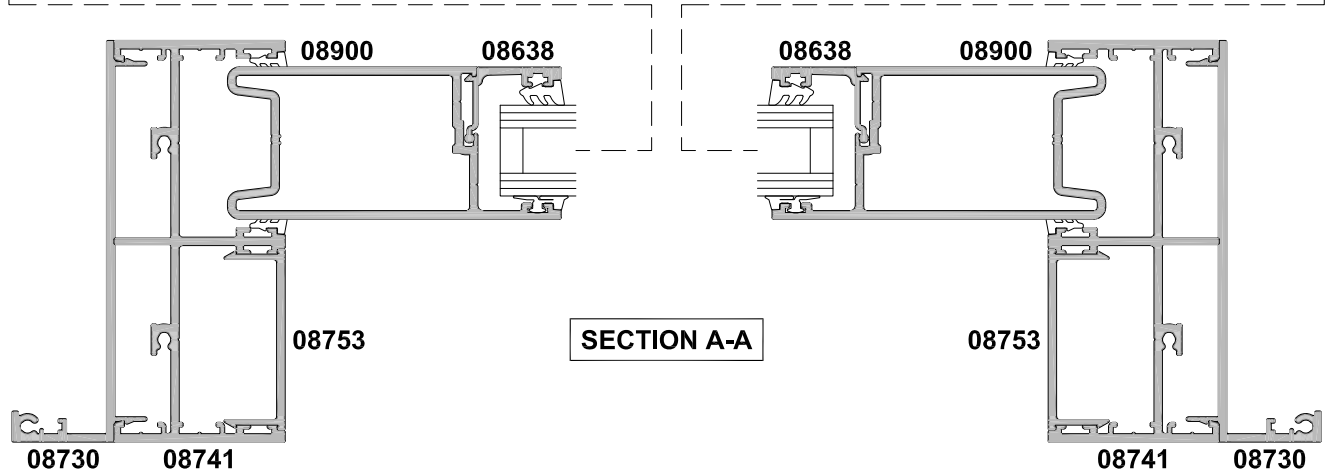
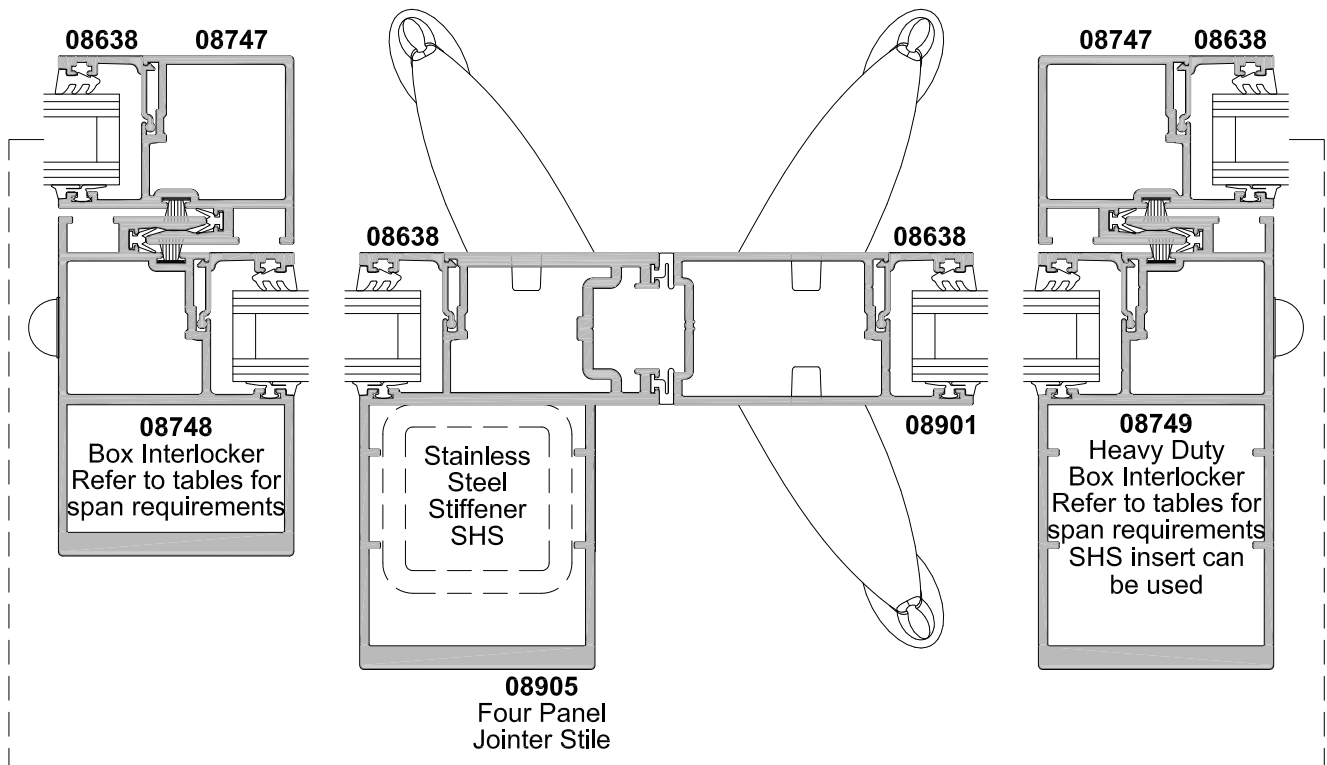
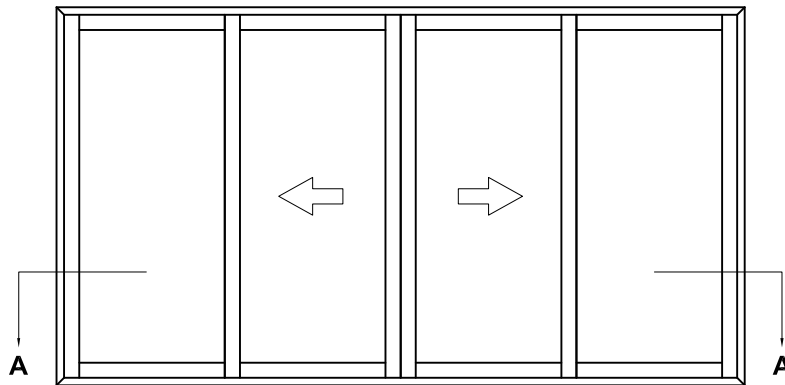
**SECTION A-A**

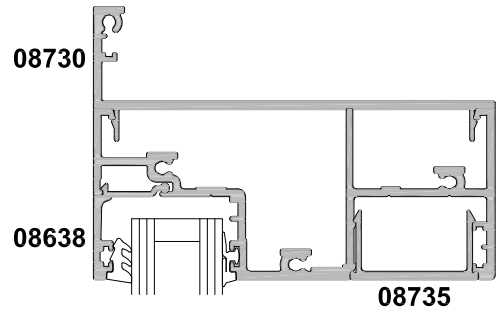
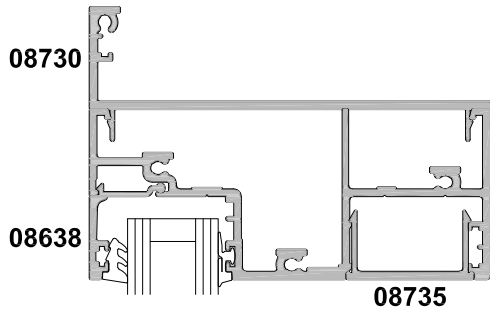
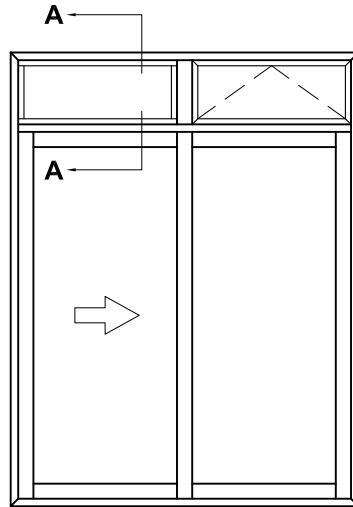


**SECTION B-B**

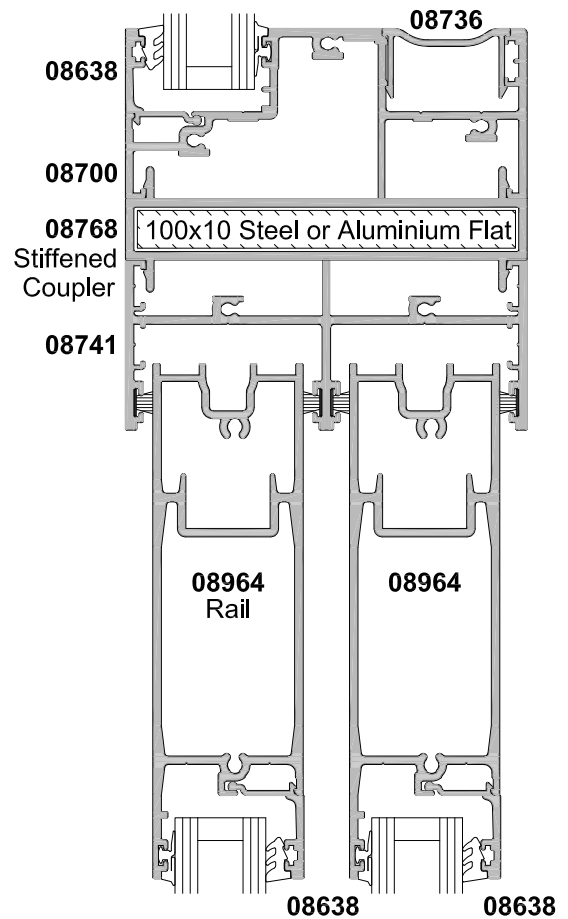
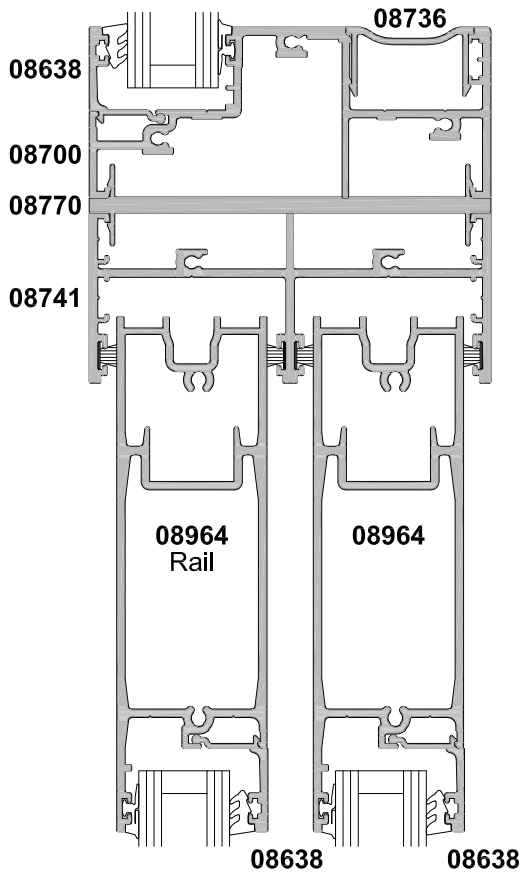
**APL ARCHITECTURAL SERIES**  
**SLIDING DOOR - TWIN TRACK, 4 PANEL**  
**CROSS SECTION**

Cad Ref. AASD05-0    Scale 1:2    Date 01.10.16



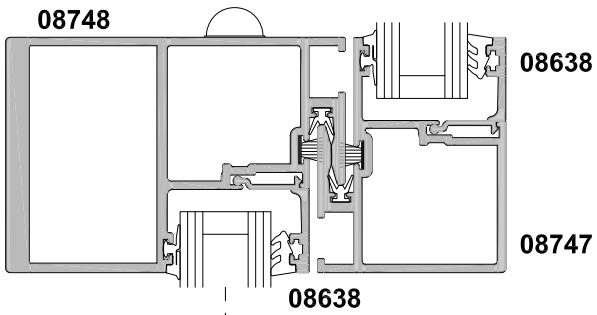
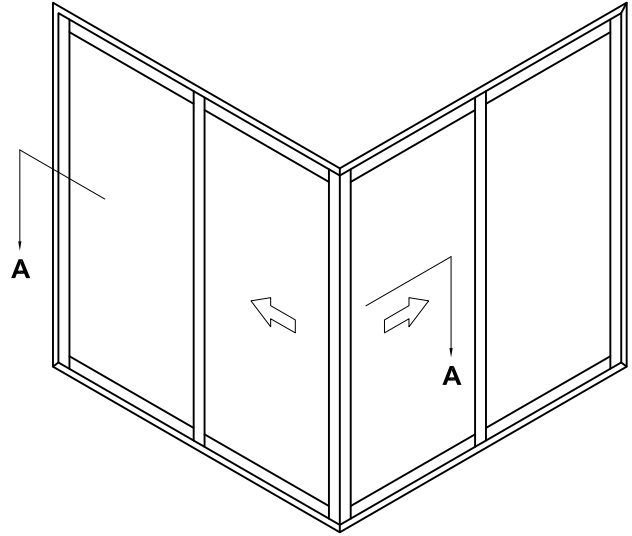
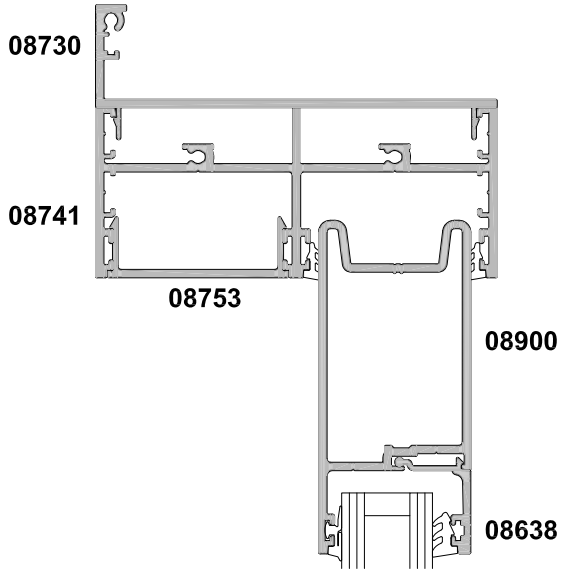


**SECTION A-A**

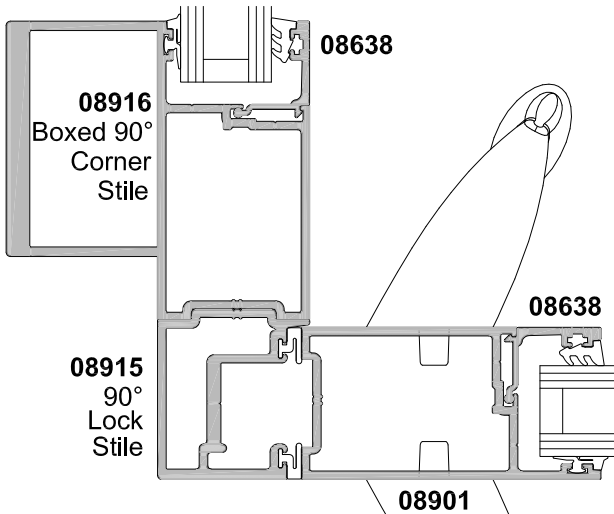


**APL ARCHITECTURAL SERIES**  
**SLIDING DOOR - TWIN TRACK, 90° CORNER**  
**CROSS SECTION**

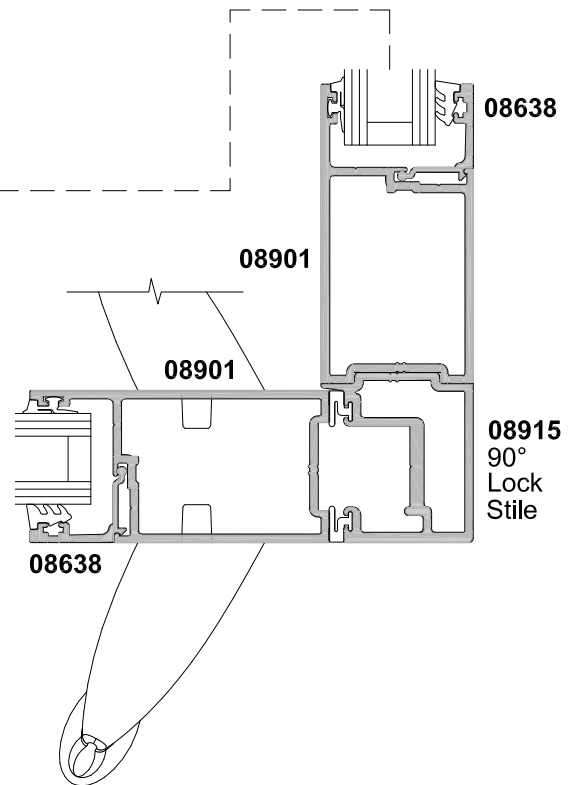
Cad Ref. AASD07-0    Scale 1:2    Date 01.10.16



SECTION A-A



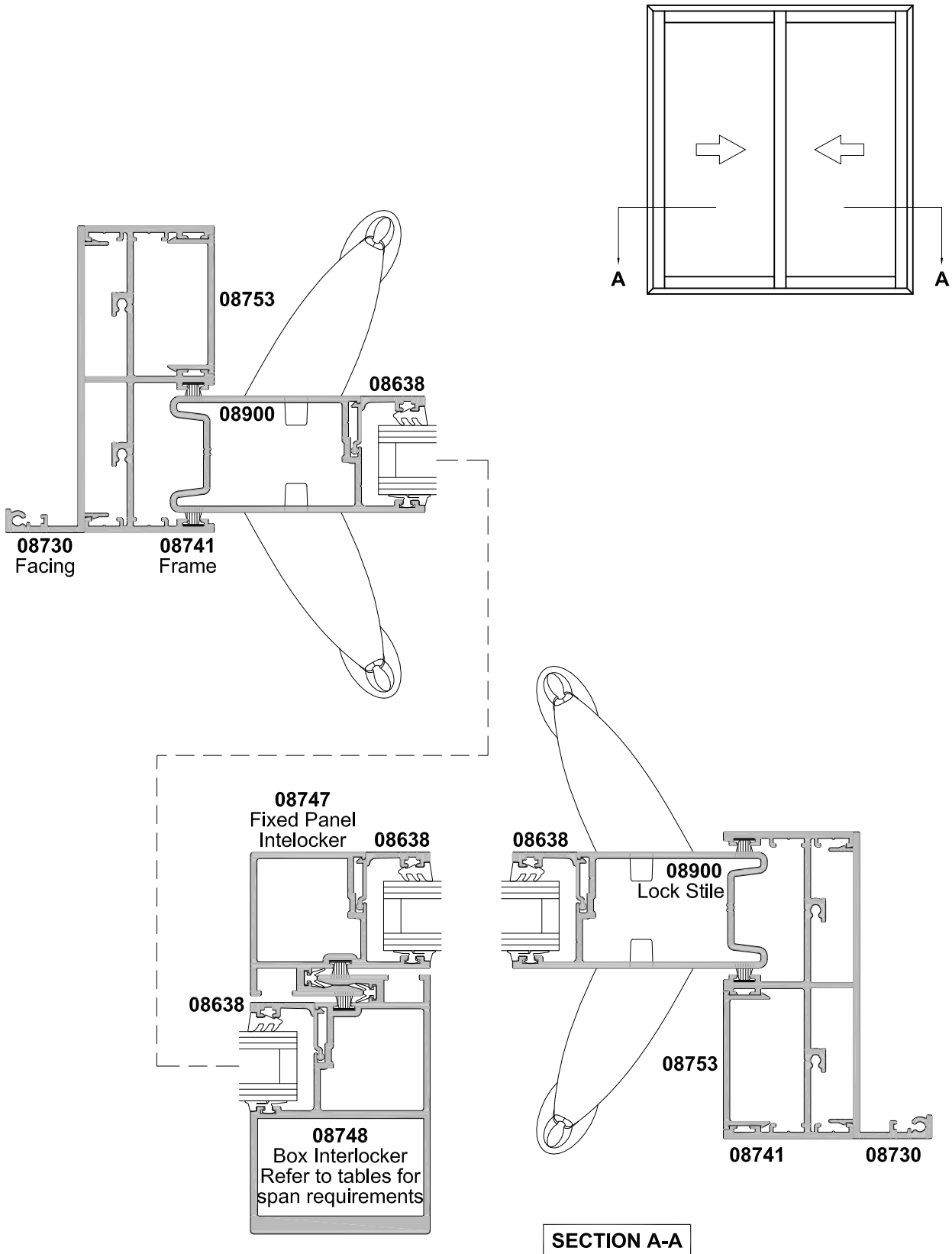
EXTERNAL CORNER OPTION

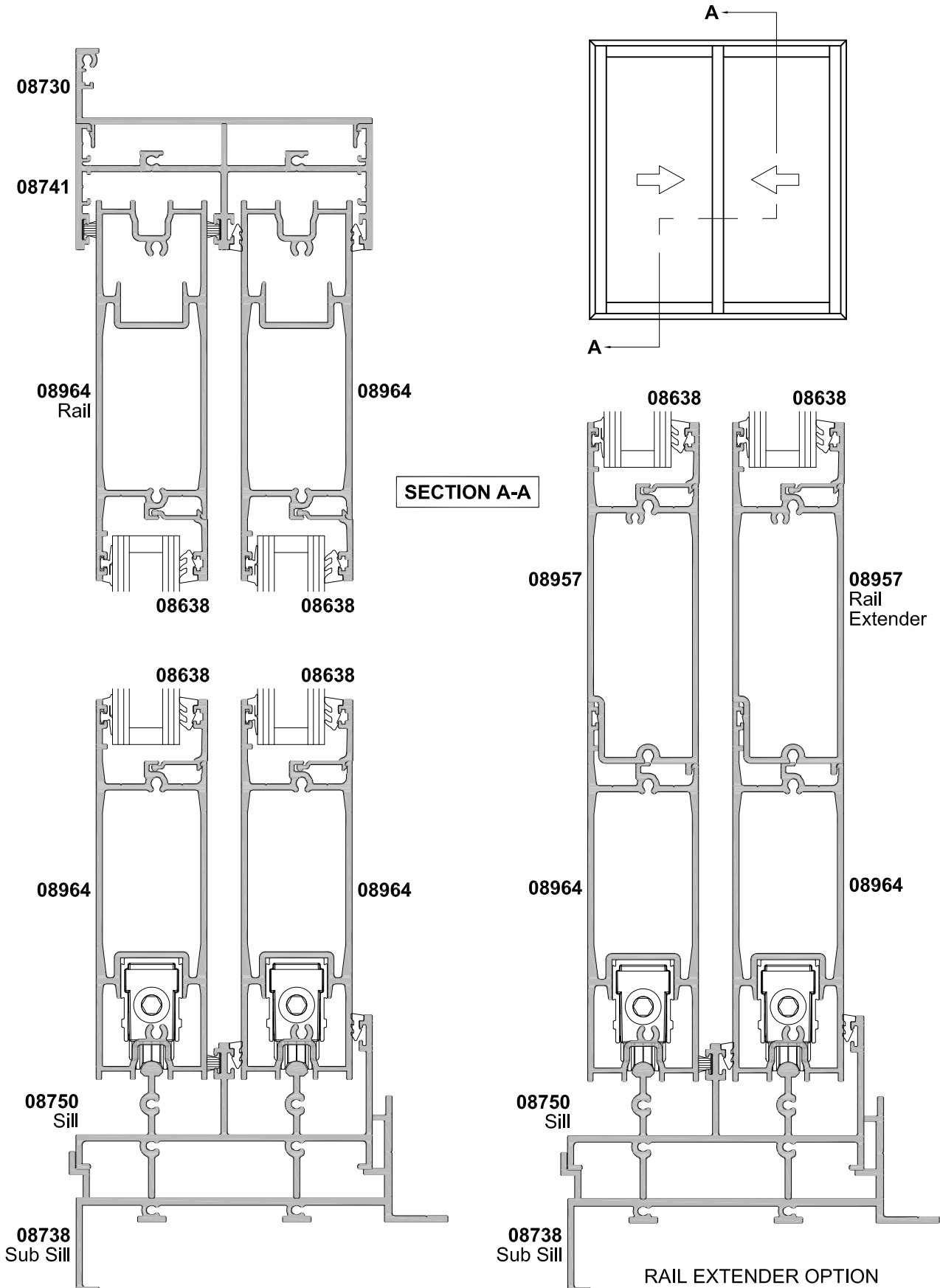


INTERNAL CORNER OPTION

**APL ARCHITECTURAL SERIES  
BYPASS SLIDING DOOR  
CROSS SECTION**

Cad Ref. AASD08-0    Scale 1:2    Date 01.10.16



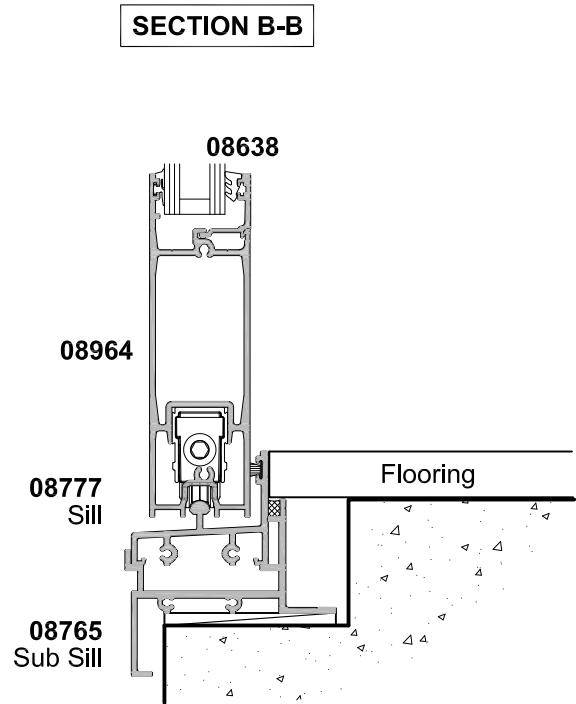
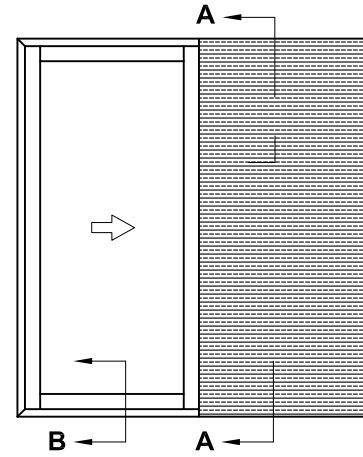
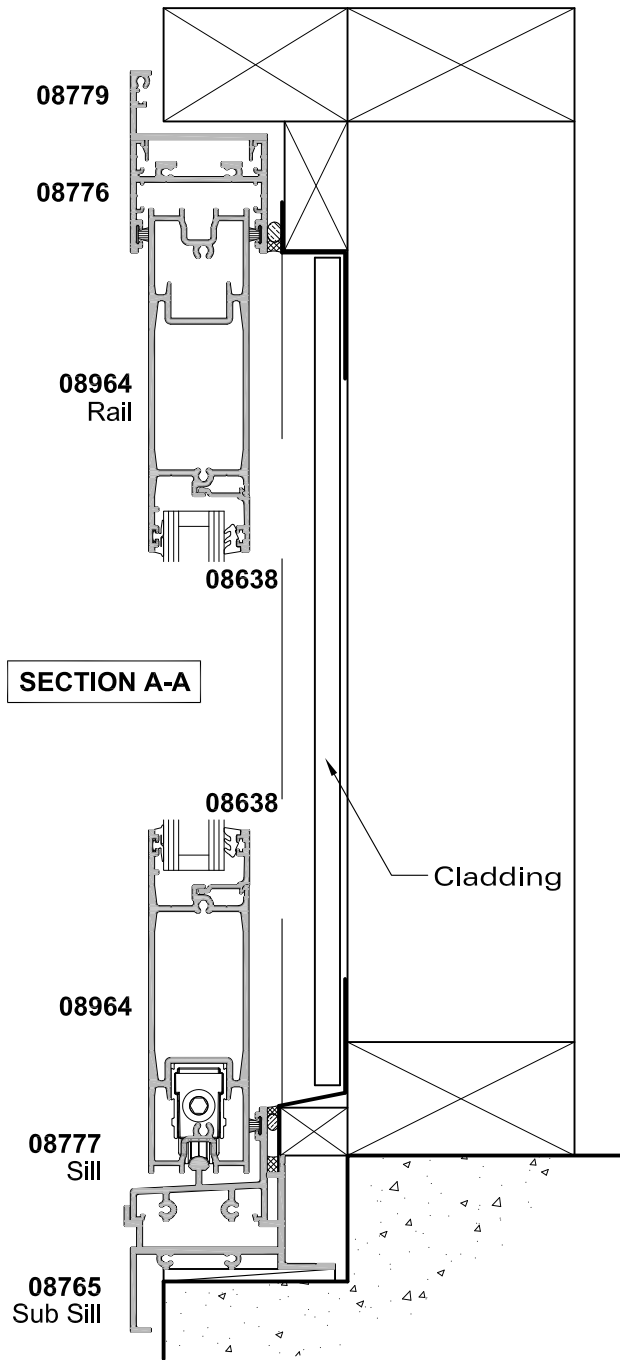




**APL ARCHITECTURAL SERIES**  
**SLIDING DOOR - SINGLE PANEL OVER WALL**  
**CROSS SECTION**

Cad Ref. AASD10-0    Scale 1:3    Date 27.09.19

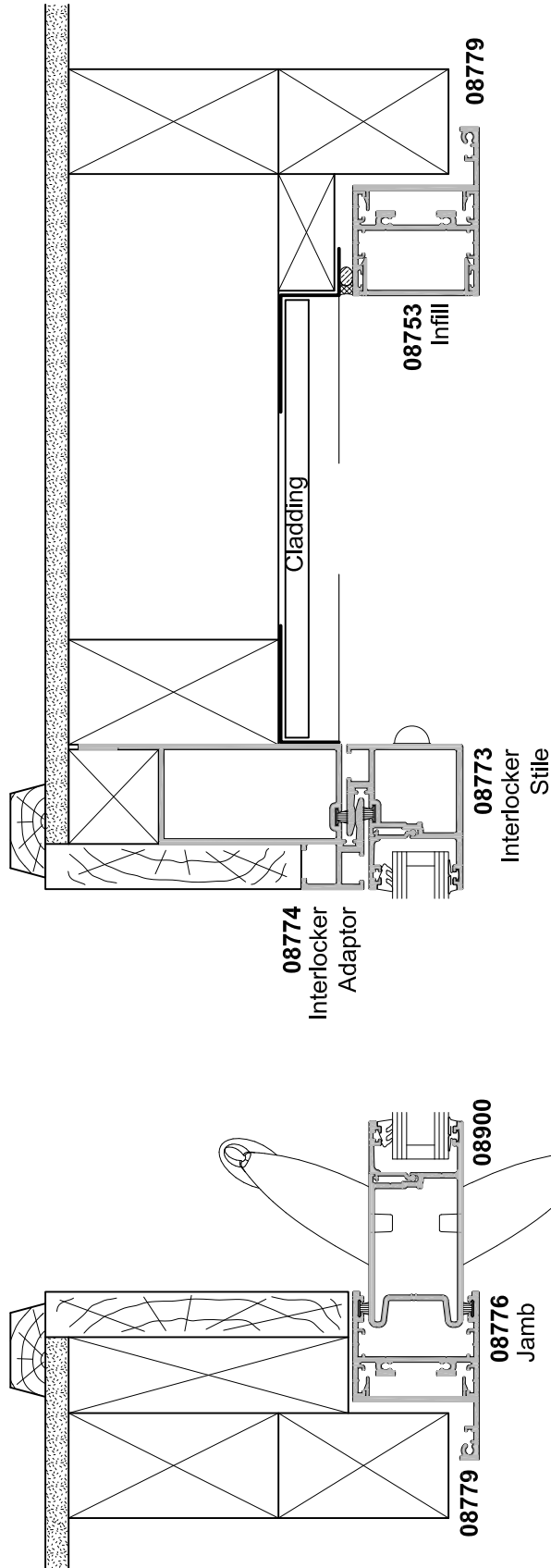
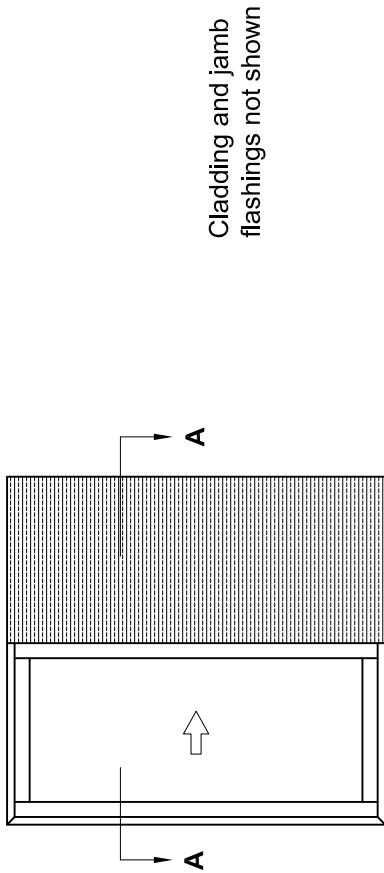
Cladding and head  
flashing not shown



NOTE: This detail is typical only and may differ for various claddings and building in situations.  
Contact APL Technical Advisory Service for more information

# APL ARCHITECTURAL SERIES SLIDING DOOR - SINGLE PANEL OVER WALL CROSS SECTION

Cad Ref. AASD11-0    Scale 1:3    Date 01.10.16

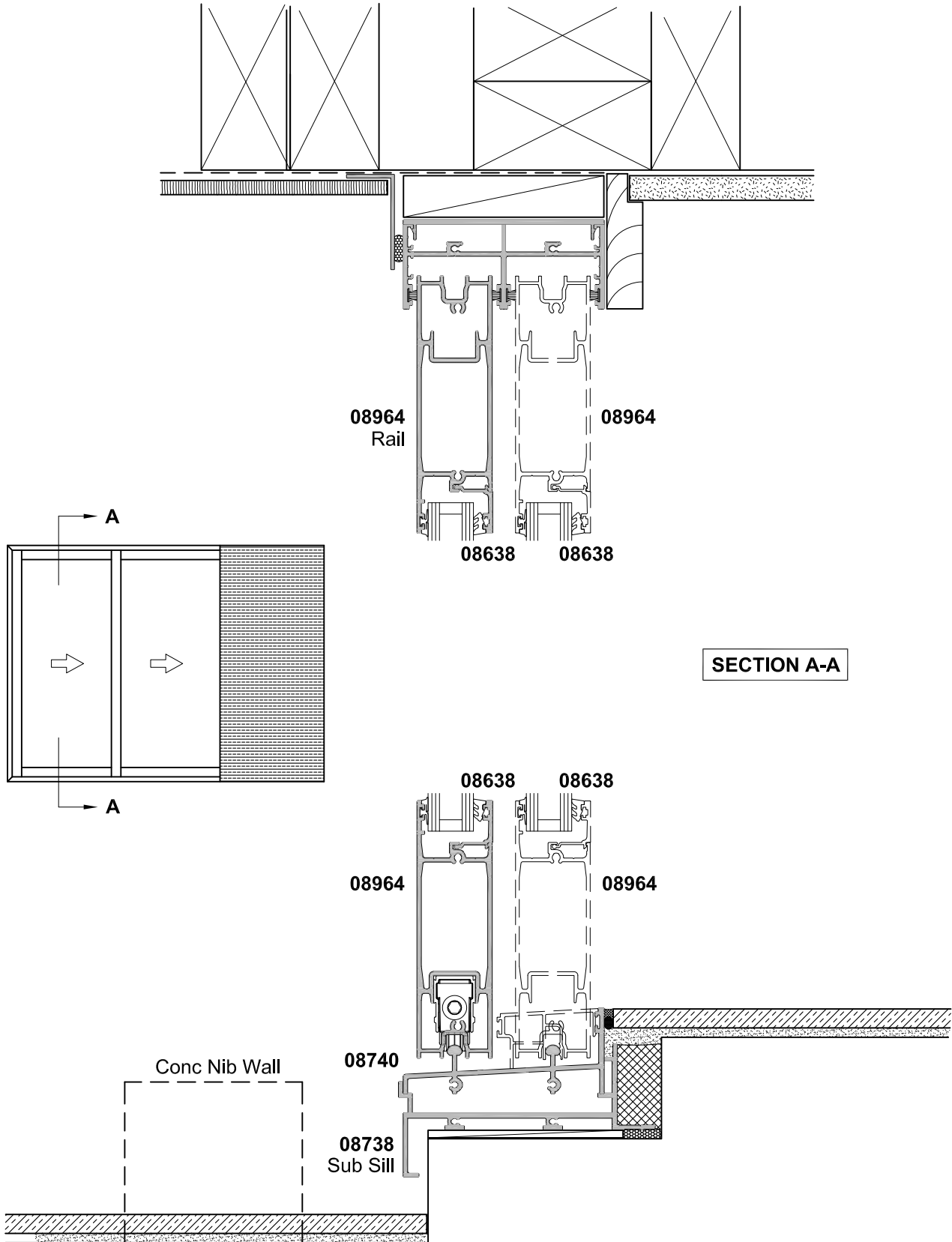


**SECTION A-A**

NOTE: This detail is typical only and may differ for various claddings and building in situations.  
Contact APL Technical Advisory Service for more information

**APL ARCHITECTURAL SERIES**  
**SLIDING DOOR - DOUBLE PANEL INTO CAVITY**  
CROSS SECTION

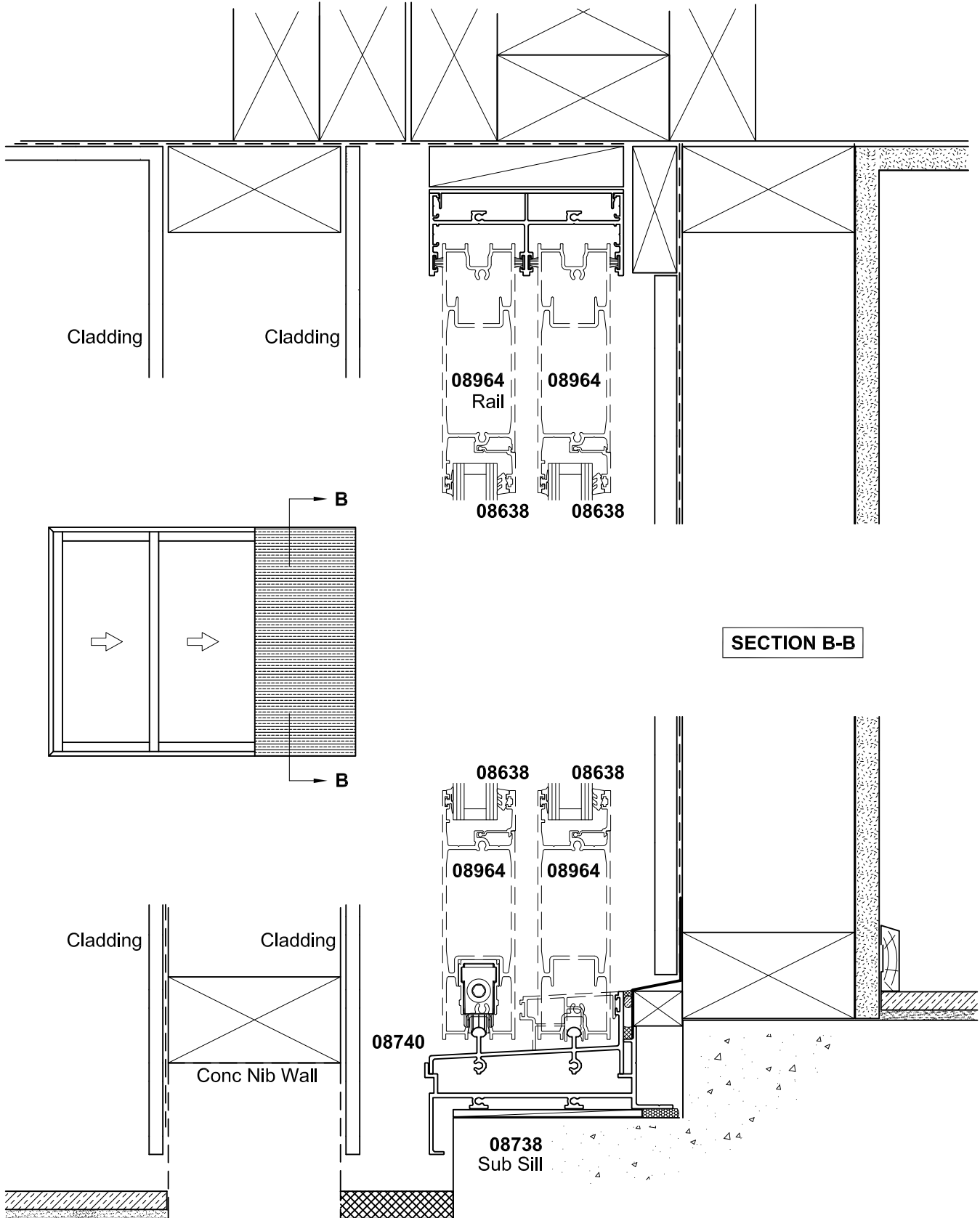
Cad Ref. AASD12-0    Scale 1:3    Date 27.09.19



NOTE: This detail is typical only and may differ for various claddings and building in situations.  
Contact APL Technical Advisory Service for more information

**APL ARCHITECTURAL SERIES**  
**SLIDING DOOR - DOUBLE PANEL INTO CAVITY**  
**CROSS SECTION**

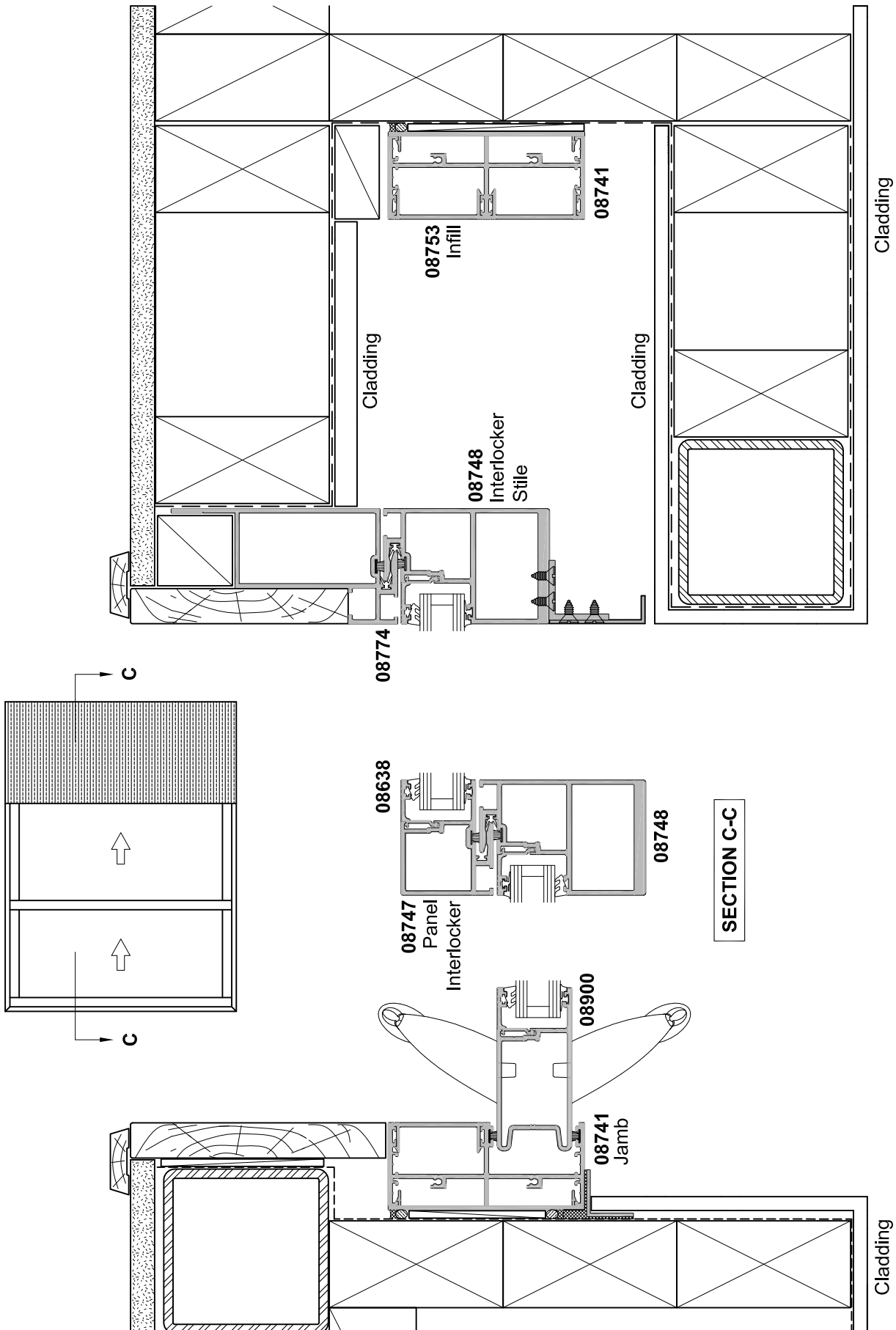
Cad Ref. AASD13-0    Scale 1:3    Date 27.09.19



NOTE: This detail is typical only and may differ for various claddings and building in situations.  
Contact APL Technical Advisory Service for more information

# APL ARCHITECTURAL SERIES SLIDING DOOR - TWIN TRACK CAVITY SLIDER CROSS SECTION

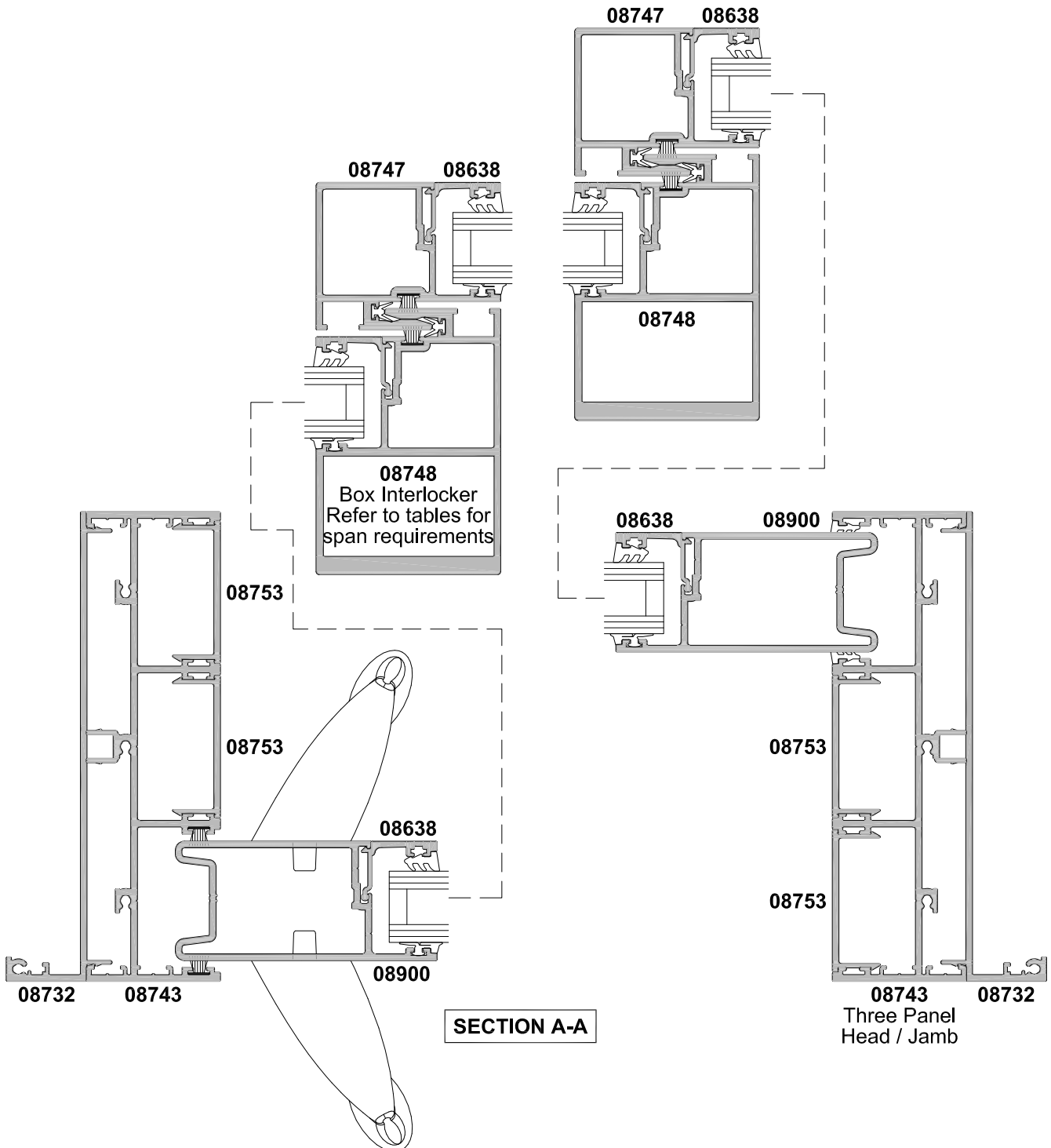
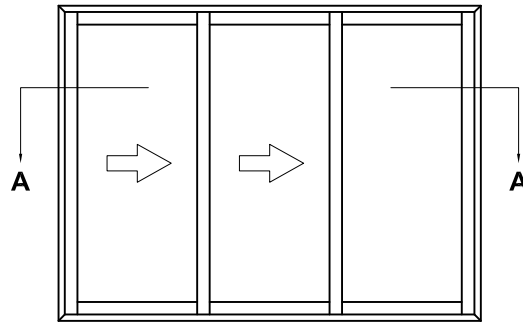
Cad Ref. AASD14-0    Scale 1:3    Date 01.10.16



NOTE: This detail is typical only and may differ for various claddings and building in situations.  
Contact APL Technical Advisory Service for more information

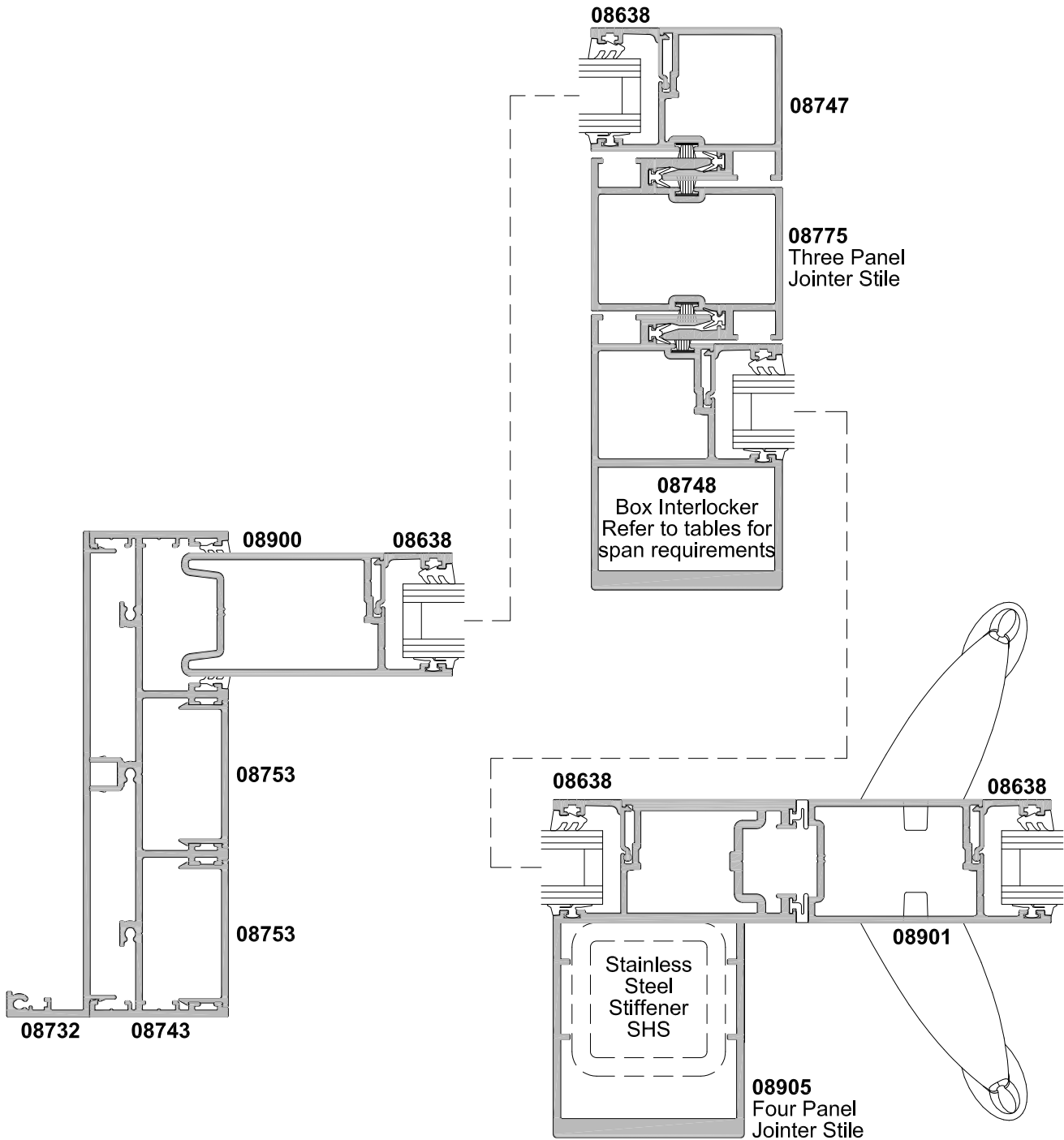
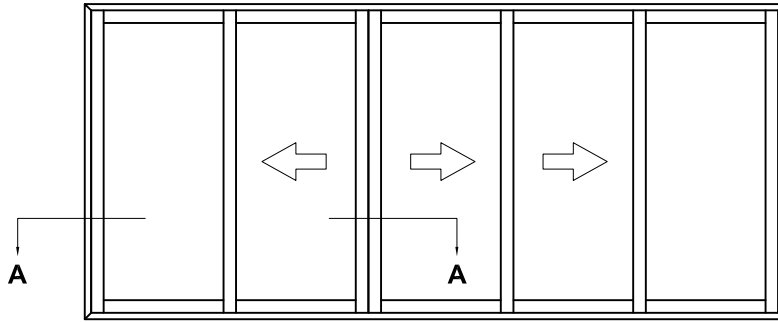
**APL ARCHITECTURAL SERIES**  
**SLIDING DOOR - TRIPLE TRACK, 3 PANEL**  
**CROSS SECTION**

Cad Ref. AASD16-0    Scale 1:2    Date 01.10.16



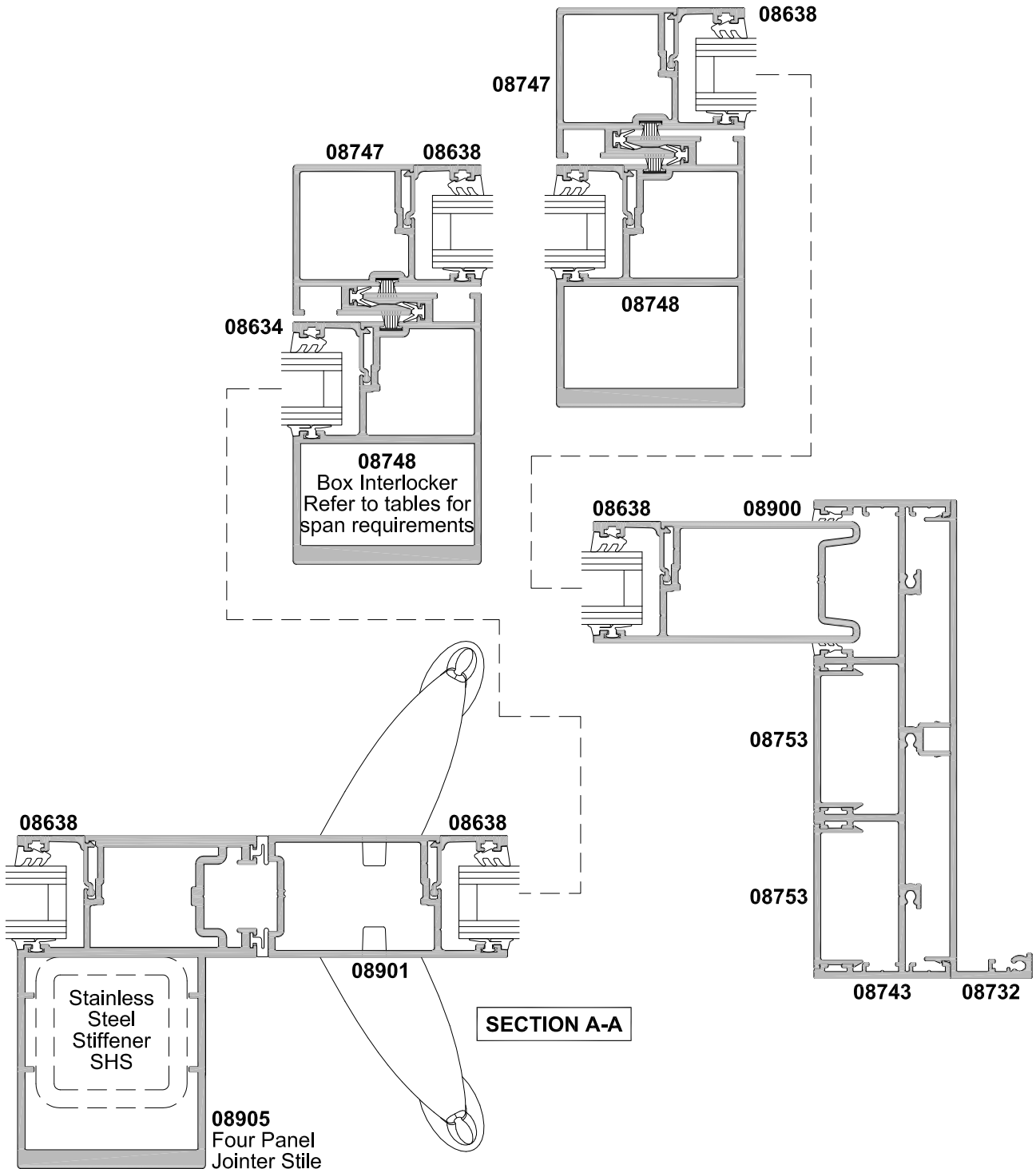
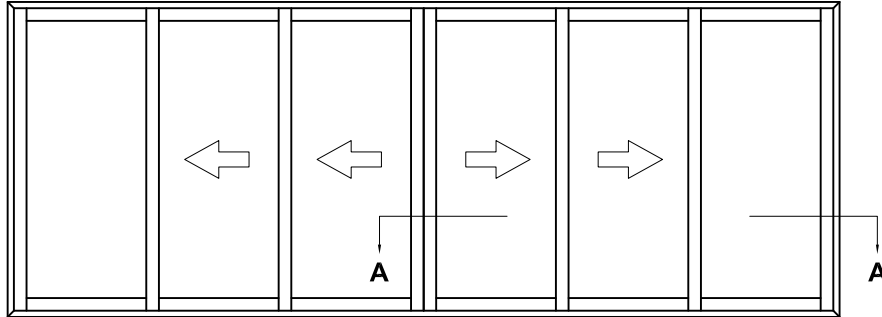
**APL ARCHITECTURAL SERIES**  
**SLIDING DOOR - TRIPLE TRACK, 5 PANEL**  
**CROSS SECTION**

Cad Ref. AASD17-0    Scale 1:2    Date 01.10.16



# APL ARCHITECTURAL SERIES SLIDING DOOR - TRIPLE TRACK, 6 PANEL CROSS SECTION

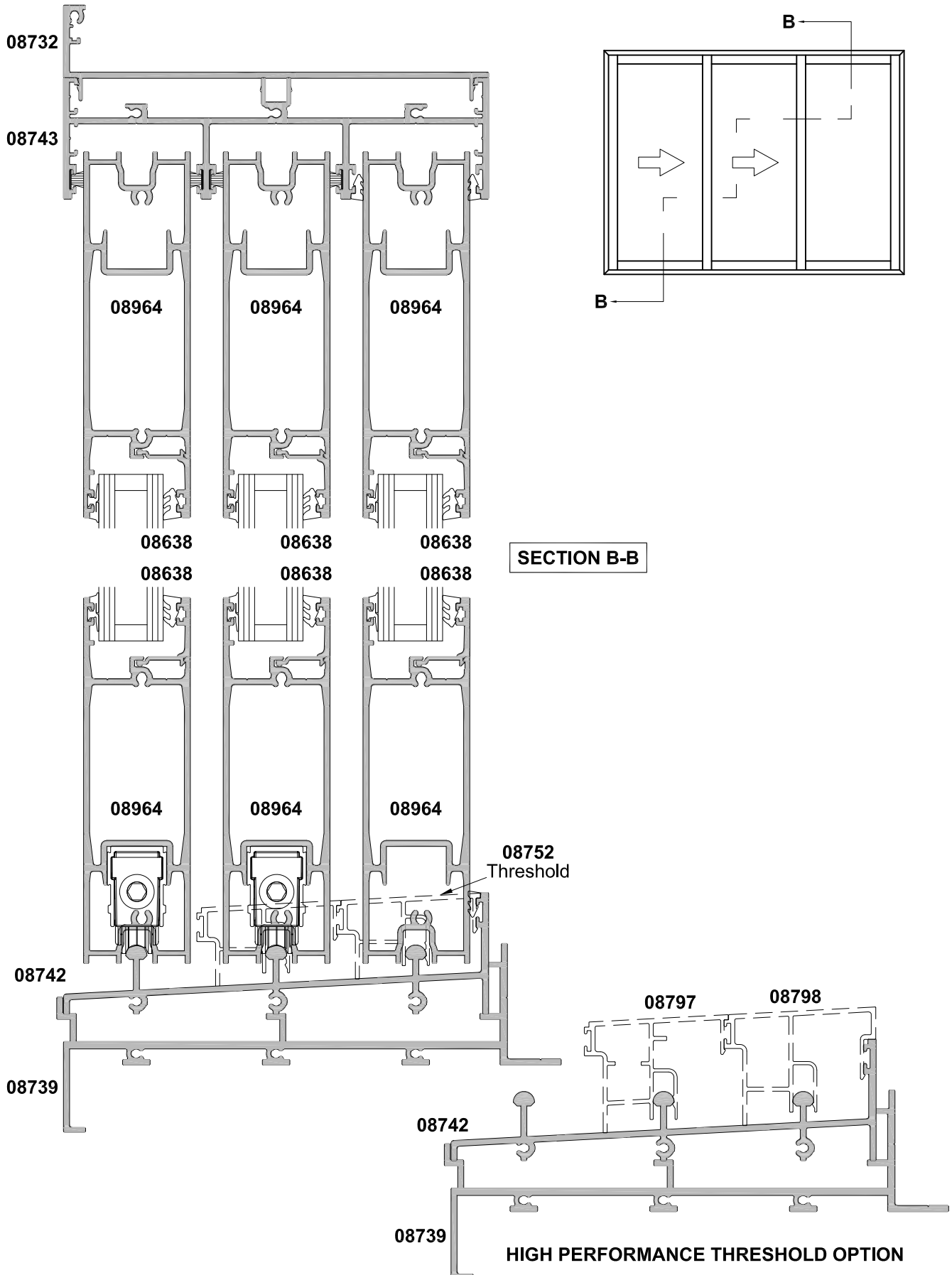
Cad Ref. AASD18-0    Scale 1:2    Date 01.10.16





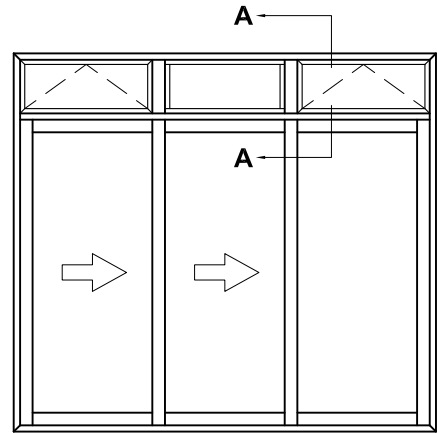
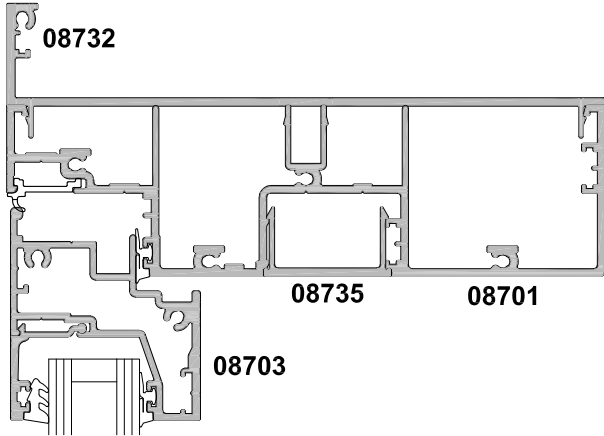
# APL ARCHITECTURAL SERIES SLIDING DOOR - TRIPLE TRACK, 3 PANEL CROSS SECTION

Cad Ref. AASD19-0    Scale 1:2    Date 27.09.19

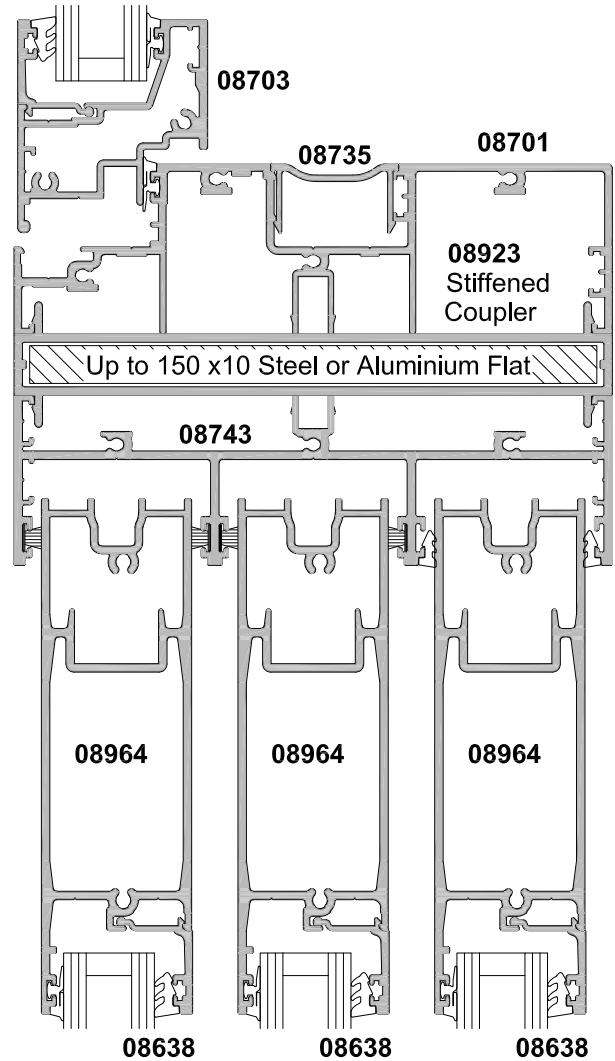
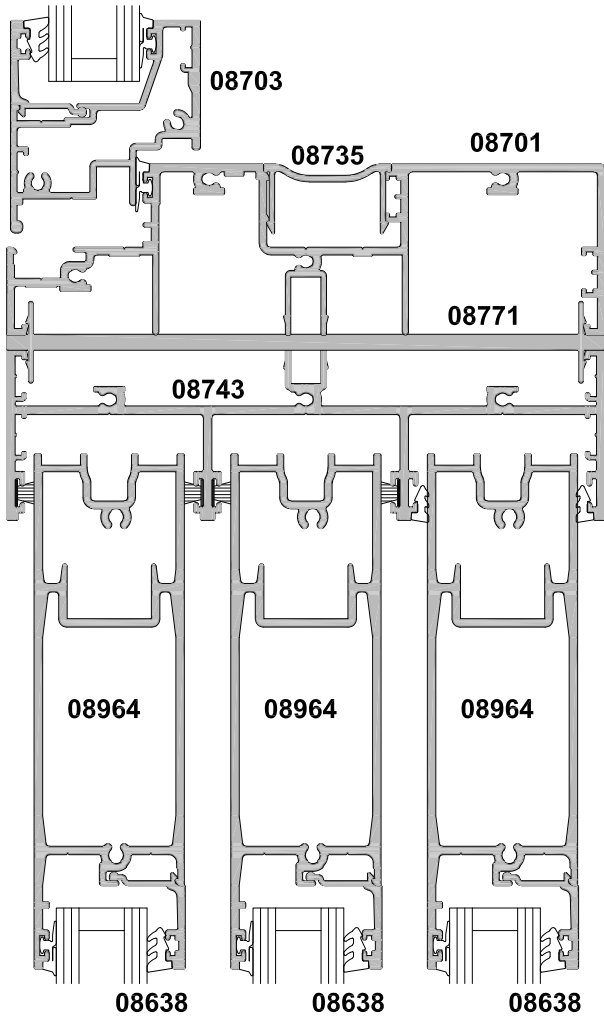


# APL ARCHITECTURAL SERIES, SLIDING DOOR TRIPLE TRACK WITH OVERLIGHT SASH CROSS SECTION

Cad Ref. AASD20-0    Scale 1:2    Date 27.09.19

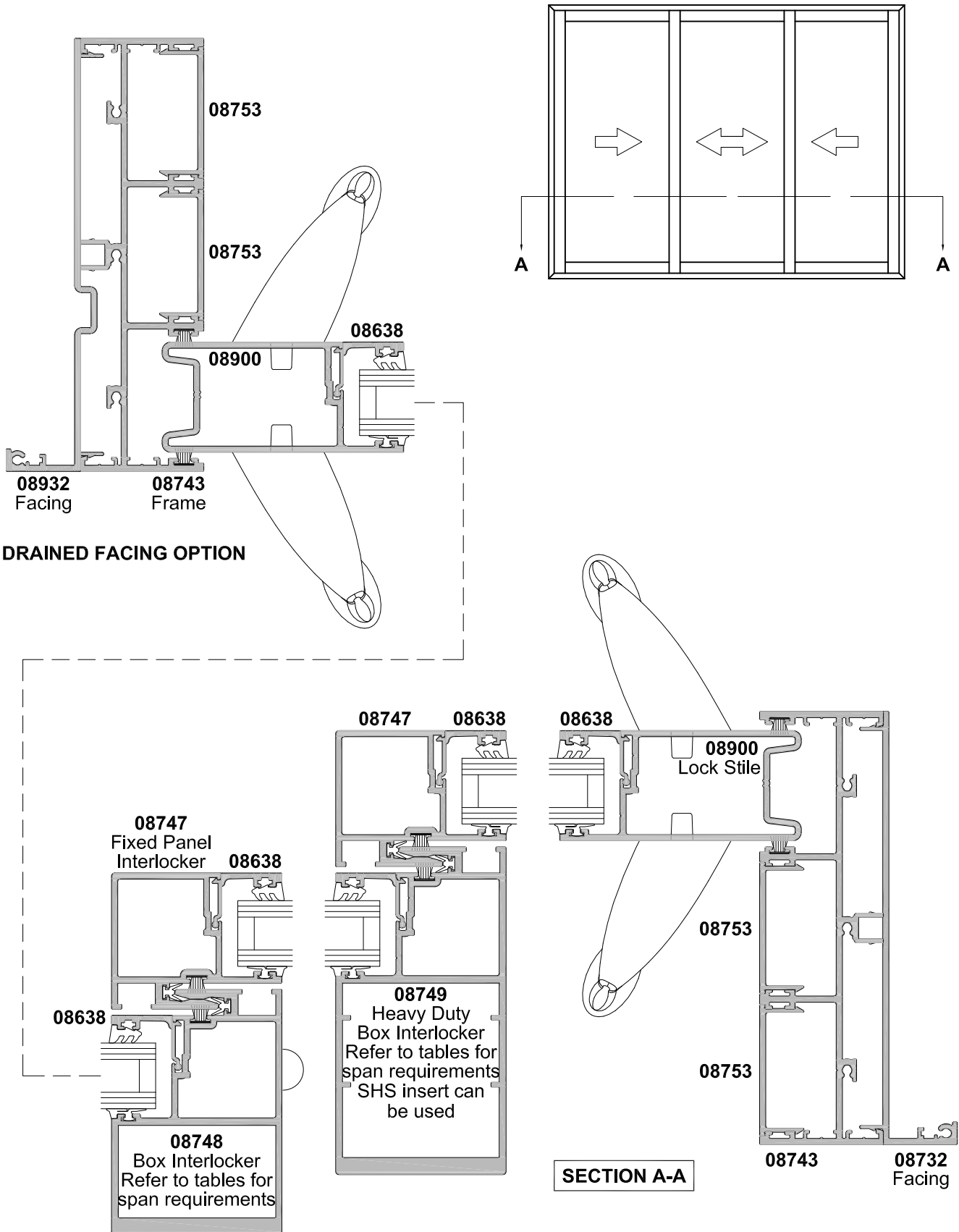


SECTION A-A



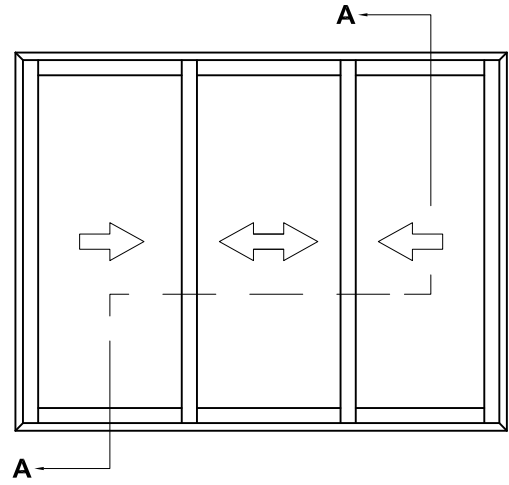
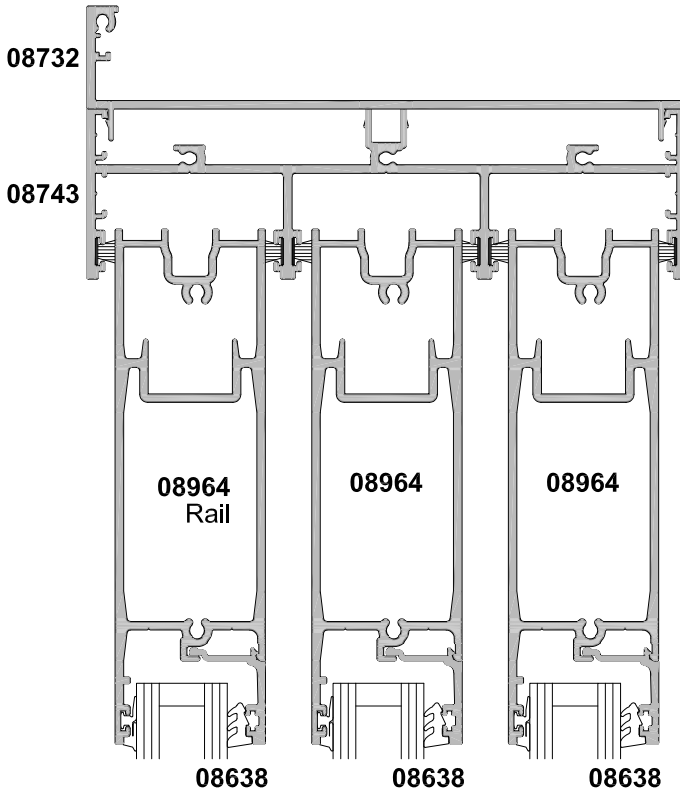
# APL ARCHITECTURAL SERIES 3 PANEL BYPASS SLIDING DOOR CROSS SECTION

Cad Ref. AASD21-0    Scale 1:2    Date 01.10.16

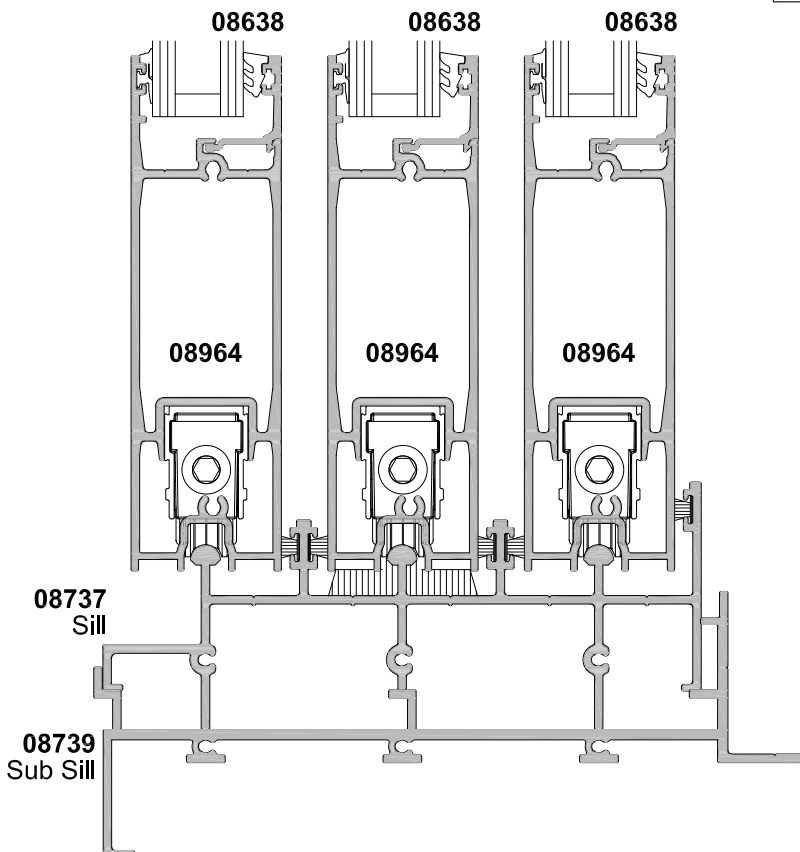


# APL ARCHITECTURAL SERIES 3 PANEL BYPASS SLIDING DOOR CROSS SECTION

Cad Ref. AASD22-0    Scale 1:2    Date 27.09.19

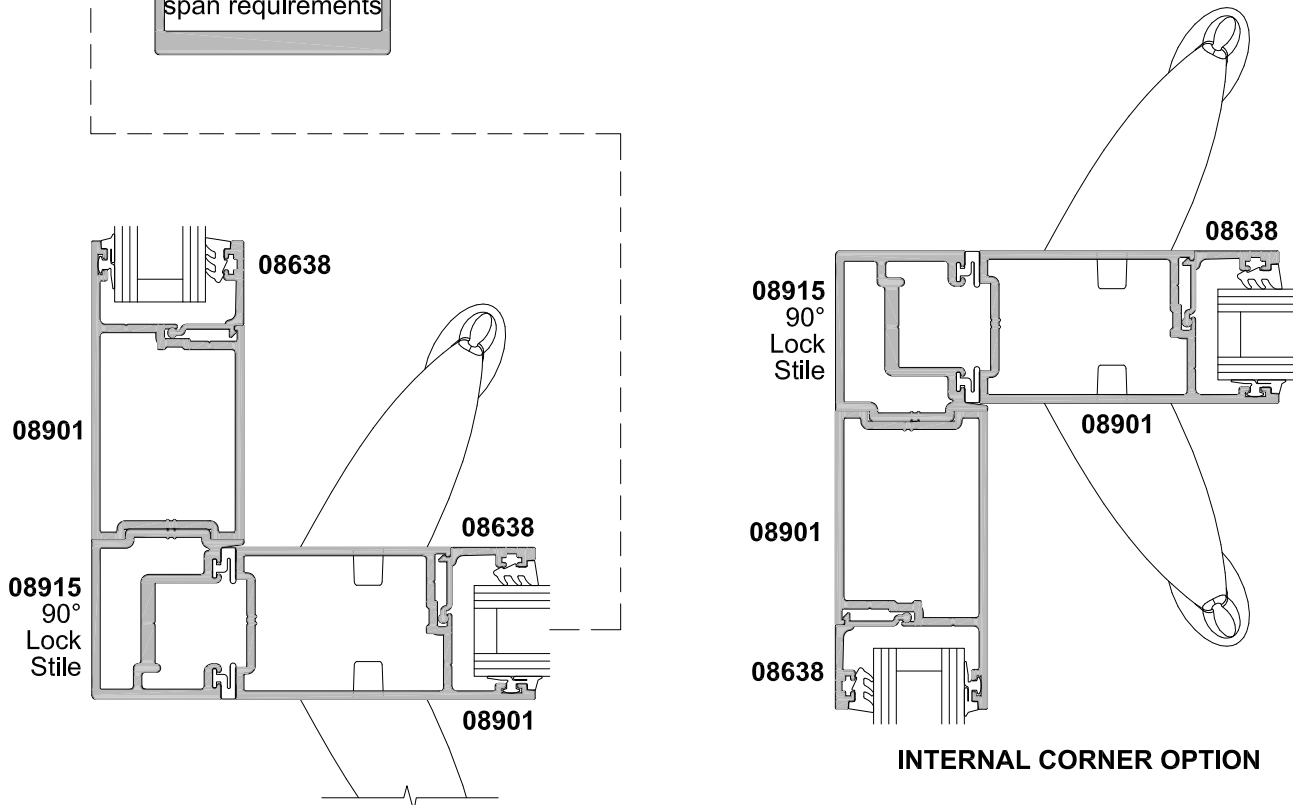
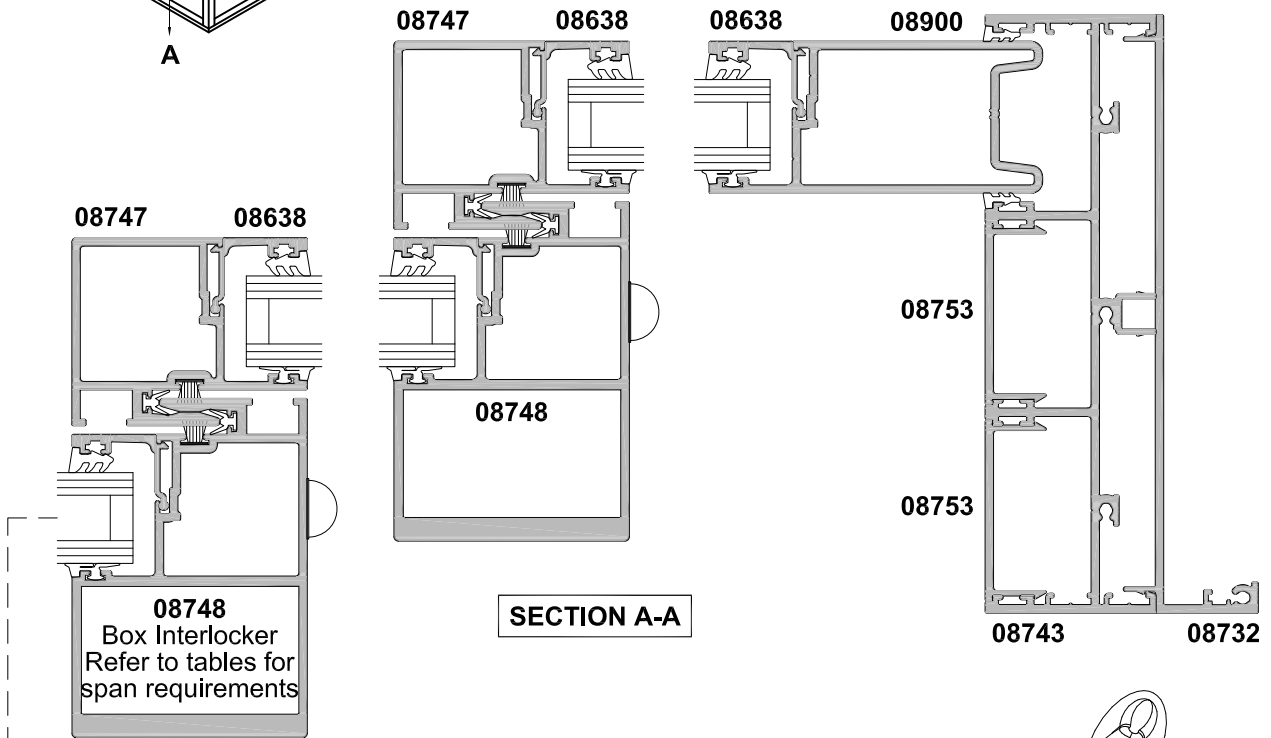
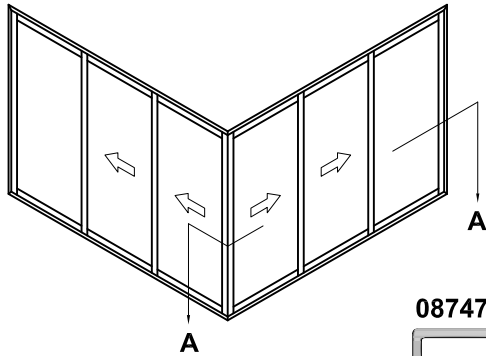


SECTION A-A



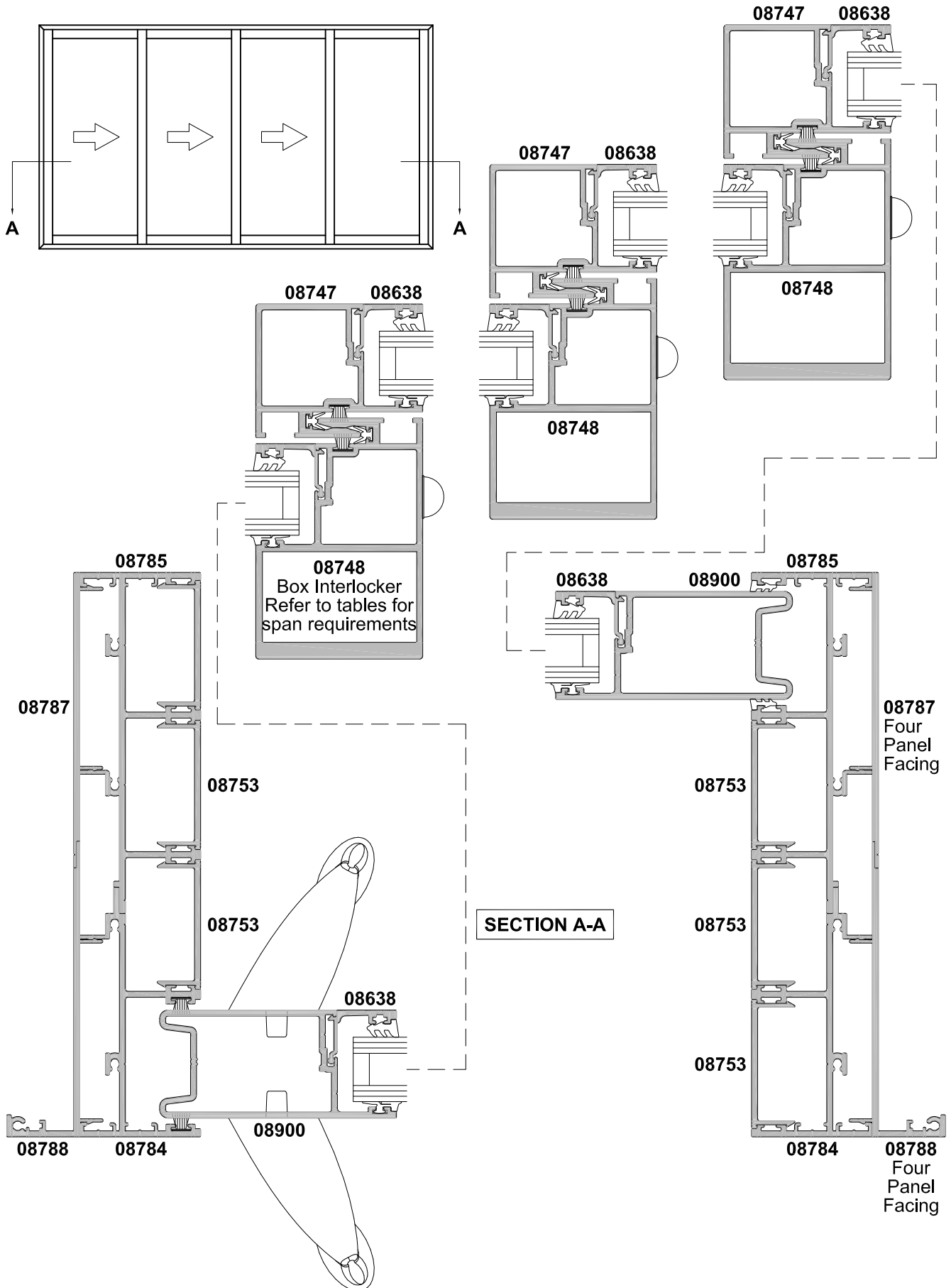
# APL ARCHITECTURAL SERIES SLIDING DOOR - TRIPLE TRACK, 90° CORNER CROSS SECTION

Cad Ref. AASD23-0    Scale 1:2    Date 01.10.16



# APL ARCHITECTURAL SERIES SLIDING DOOR - FOUR TRACK, 4 PANEL CROSS SECTION

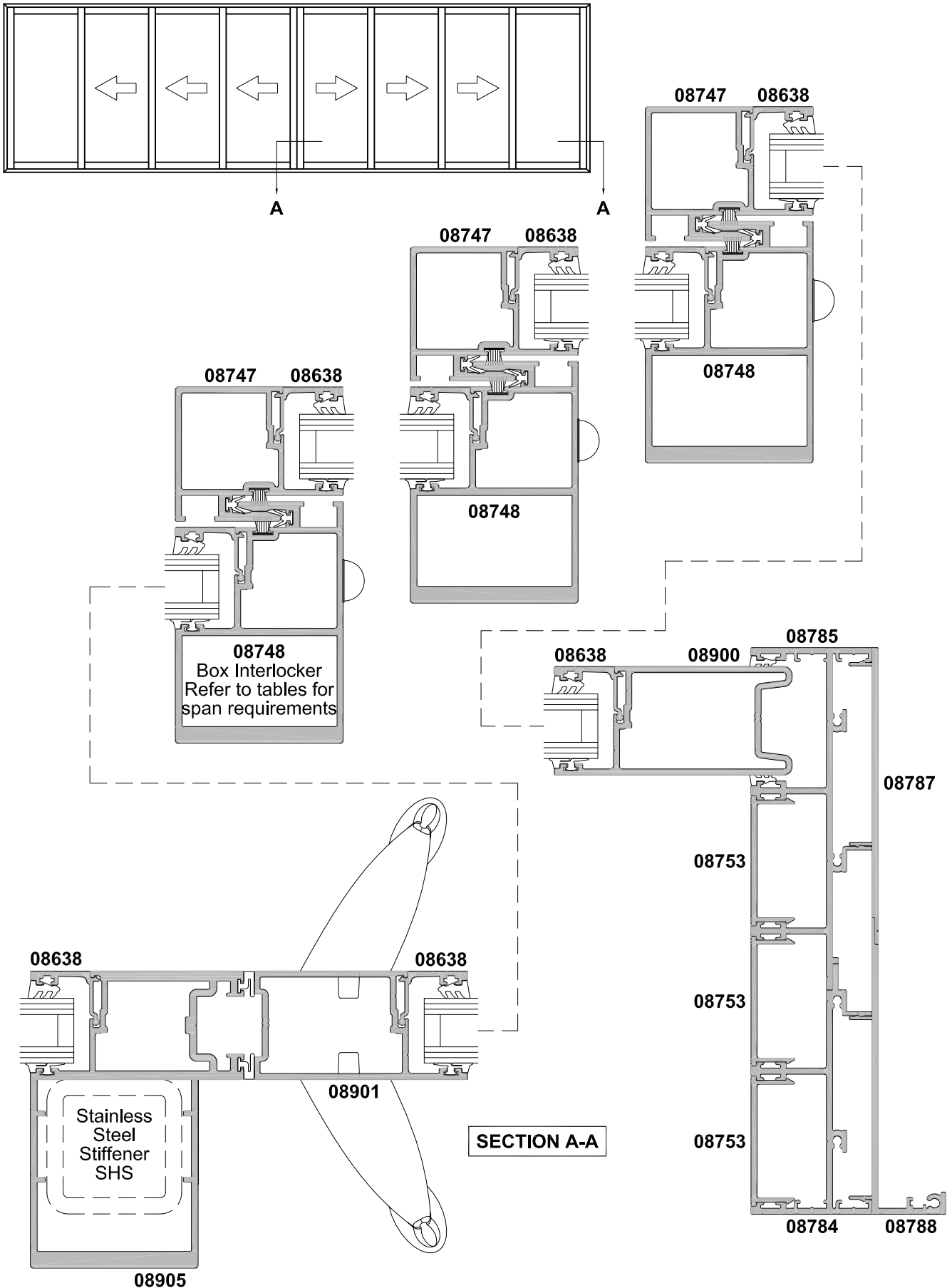
Cad Ref. AASD25-0 Scale 1:2 Date 01.10.16



# APL ARCHITECTURAL SERIES SLIDING DOOR - FOUR TRACK, 8 PANEL

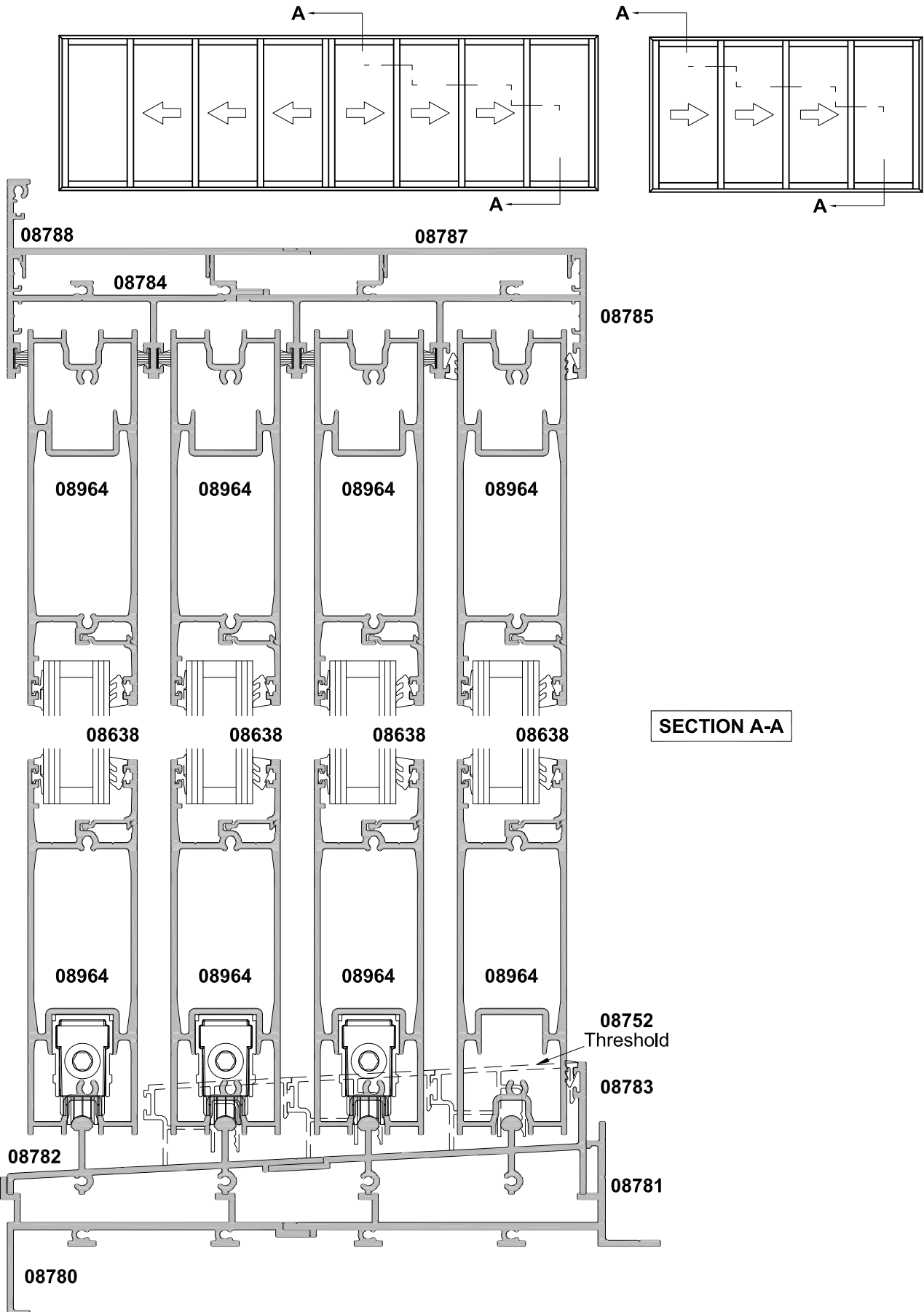
## CROSS SECTION

Cad Ref. AASD26-0    Scale 1:2    Date 01.10.16



# APL ARCHITECTURAL SERIES SLIDING DOOR - FOUR TRACK CROSS SECTION

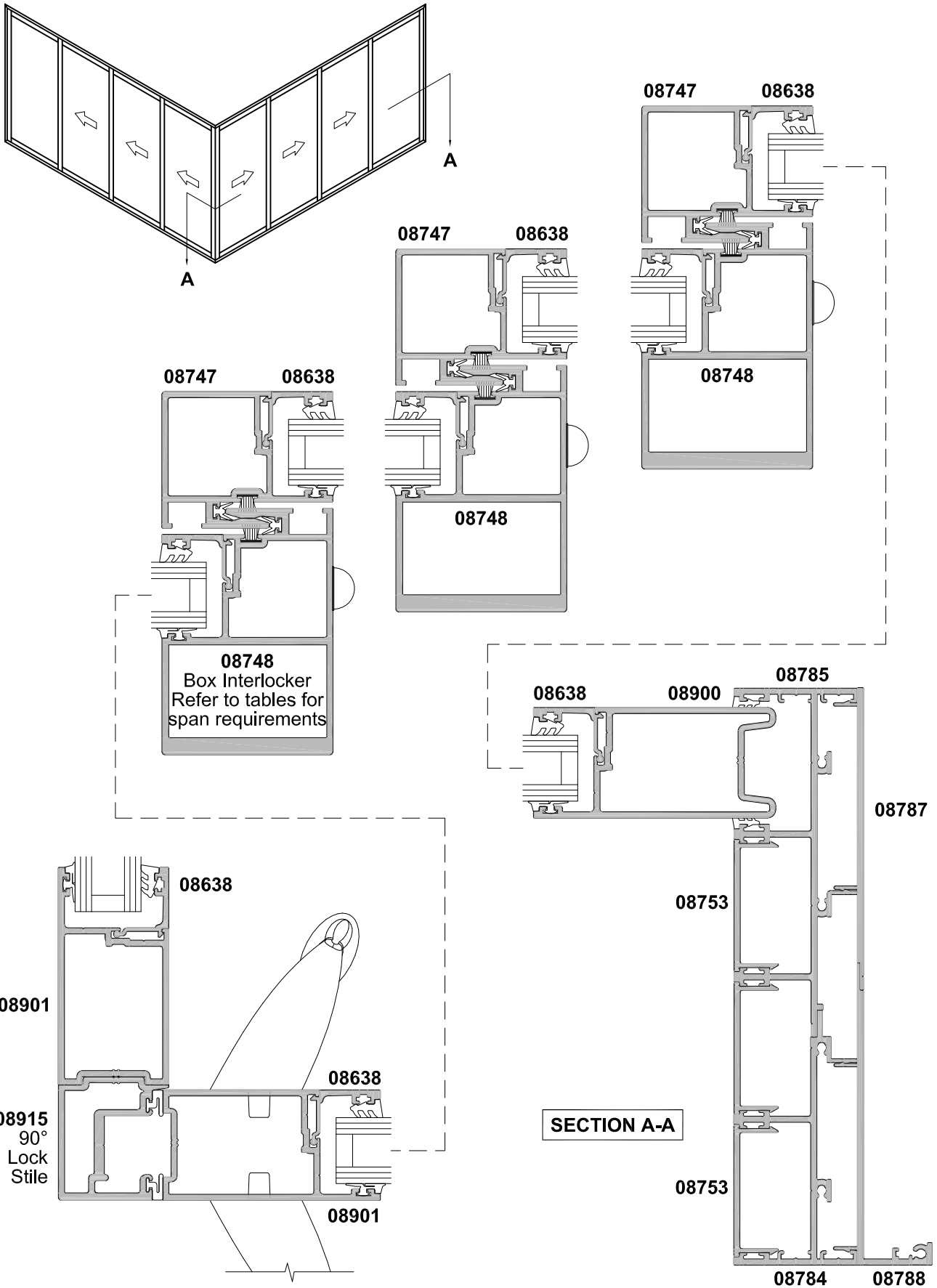
Cad Ref. AASD27-0    Scale 1:2    Date 27.09.19





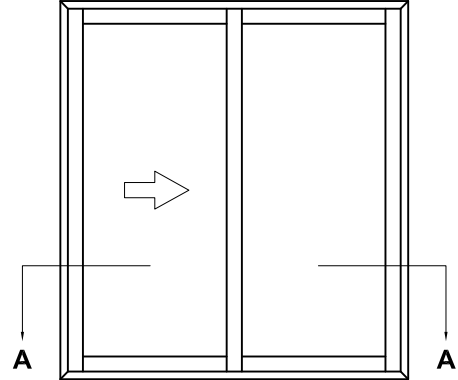
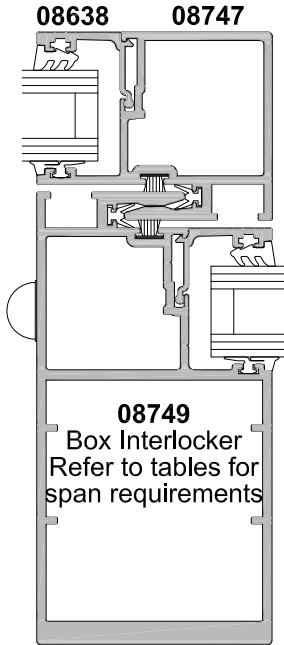
# APL ARCHITECTURAL SERIES SLIDING DOOR - FOUR TRACK, 90° CORNER CROSS SECTION

Cad Ref. AASD28-0    Scale 1:2    Date 01.10.16

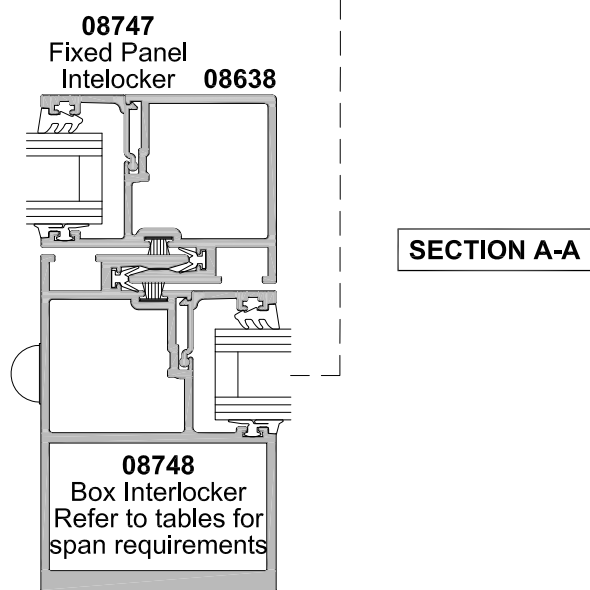
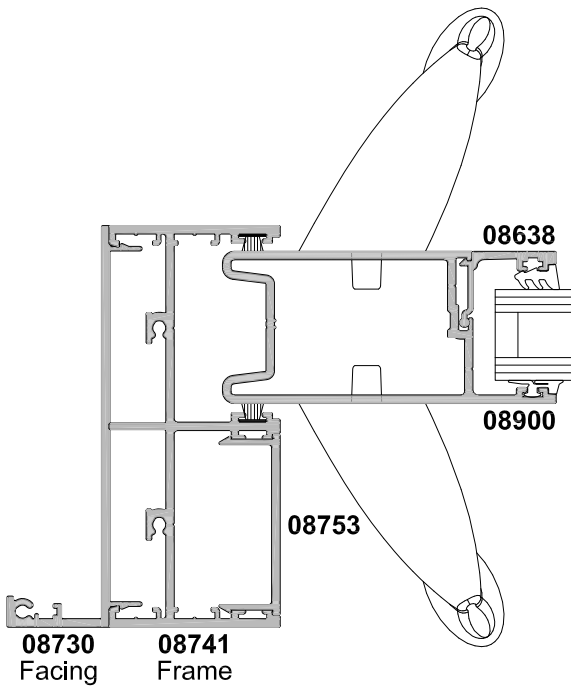
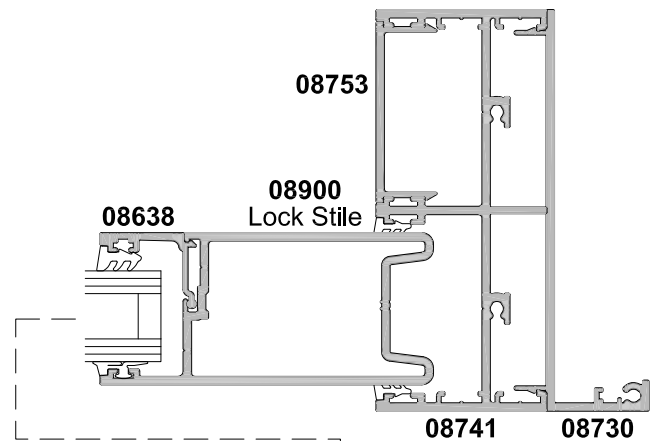


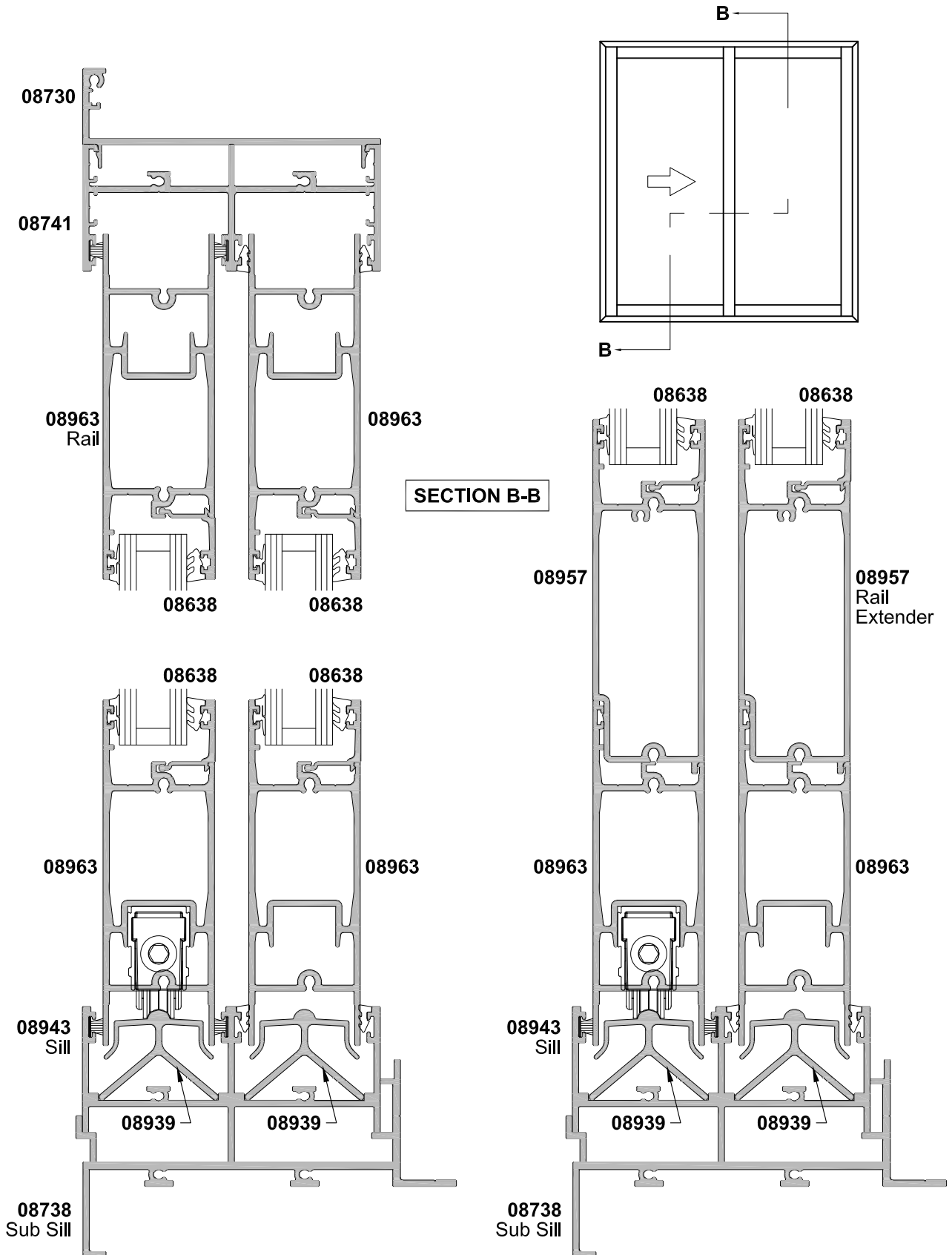
**APL ARCHITECTURAL SERIES**  
**SLIDING DOOR - TWIN TRACK FLUSHLINE**  
CROSS SECTION

Cad Ref. AASD29-0    Scale 1:2    Date 01.10.16



**HEAVY DUTY INTERLOCKER OPTION**

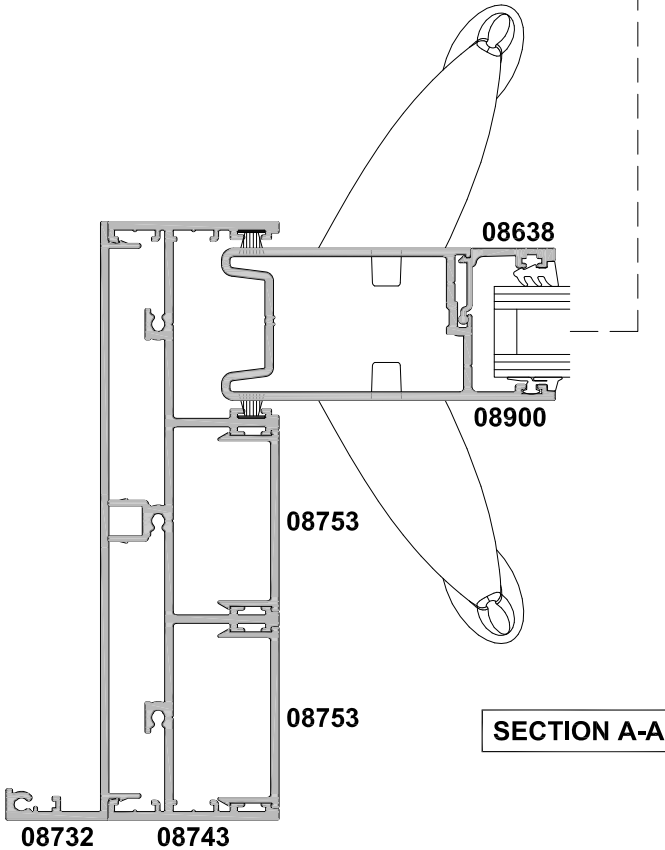
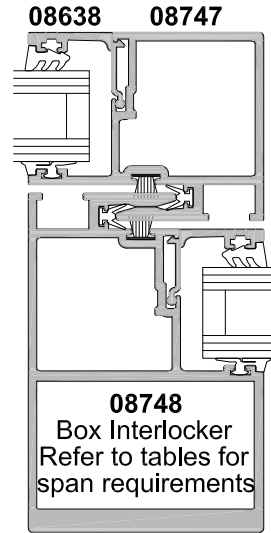
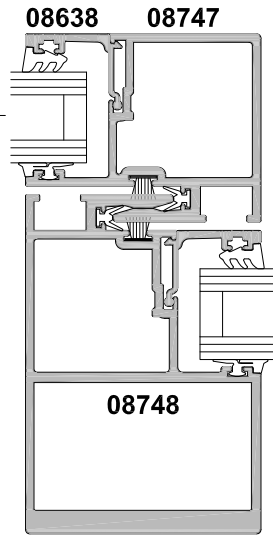
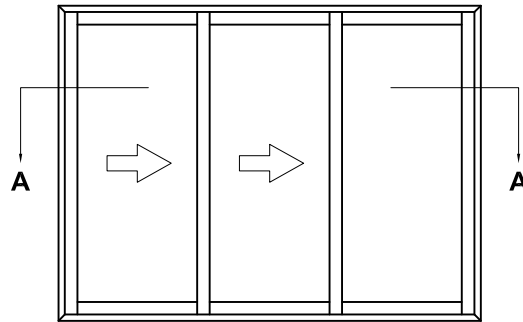




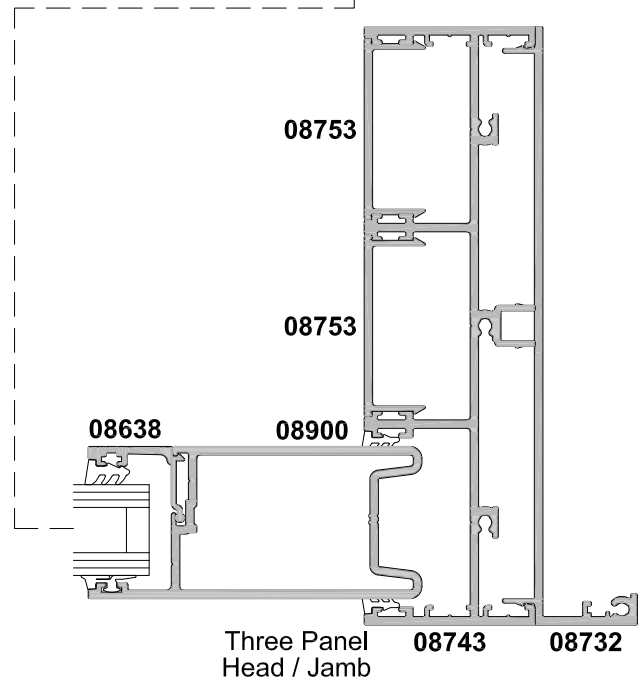
**RAIL EXTENDER OPTION**

# APL ARCHITECTURAL SERIES SLIDING DOOR - TRIPLE TRACK, 3 PANEL FLUSHLINE CROSS SECTION

Cad Ref. AASD31-0    Scale 1:2    Date 01.10.16

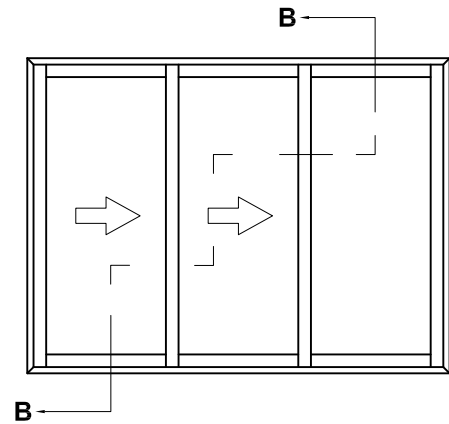
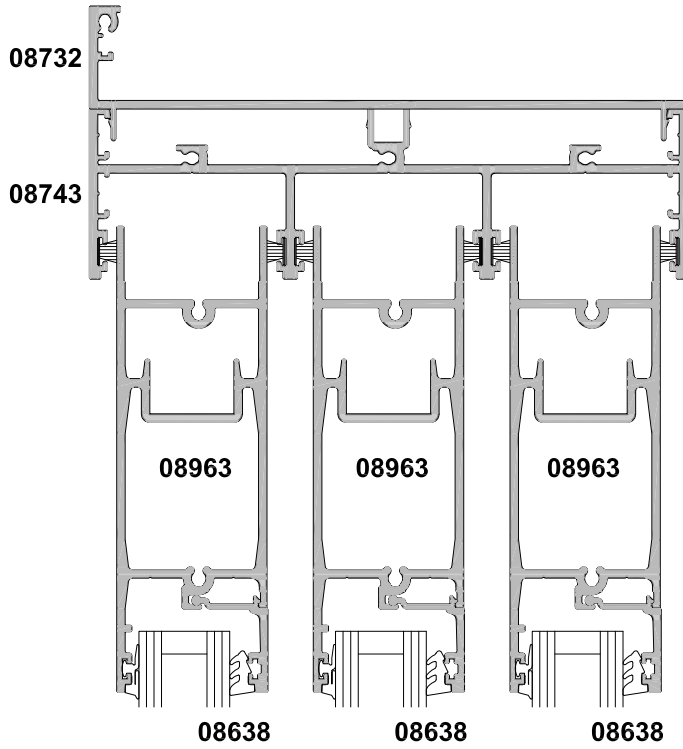


**SECTION A-A**

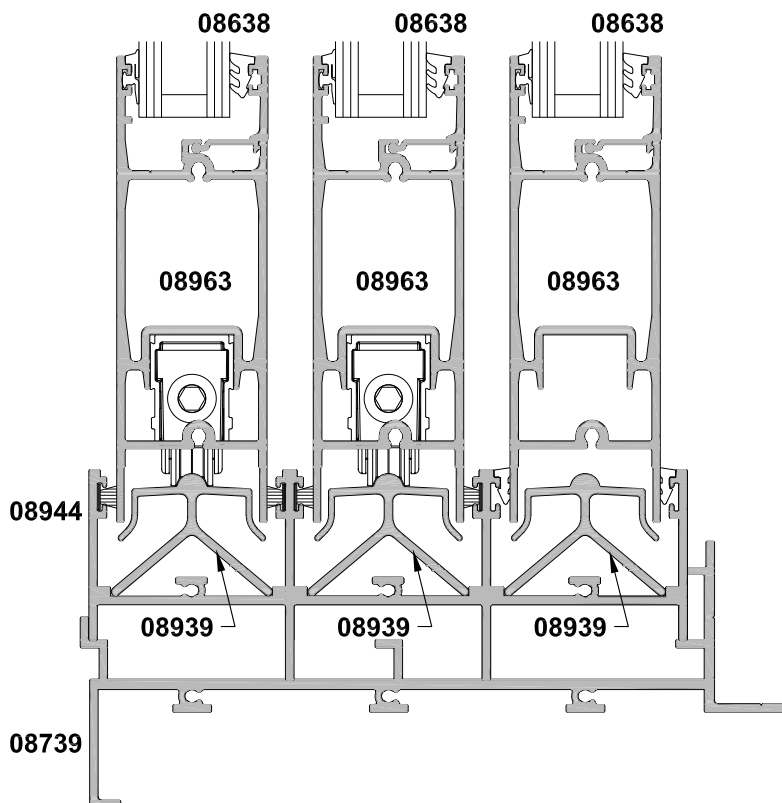


# APL ARCHITECTURAL SERIES SLIDING DOOR - TRIPLE TRACK, 3 PANEL FLUSHLINE CROSS SECTION

Cad Ref. AASD32-0    Scale 1:2    Date 27.09.19

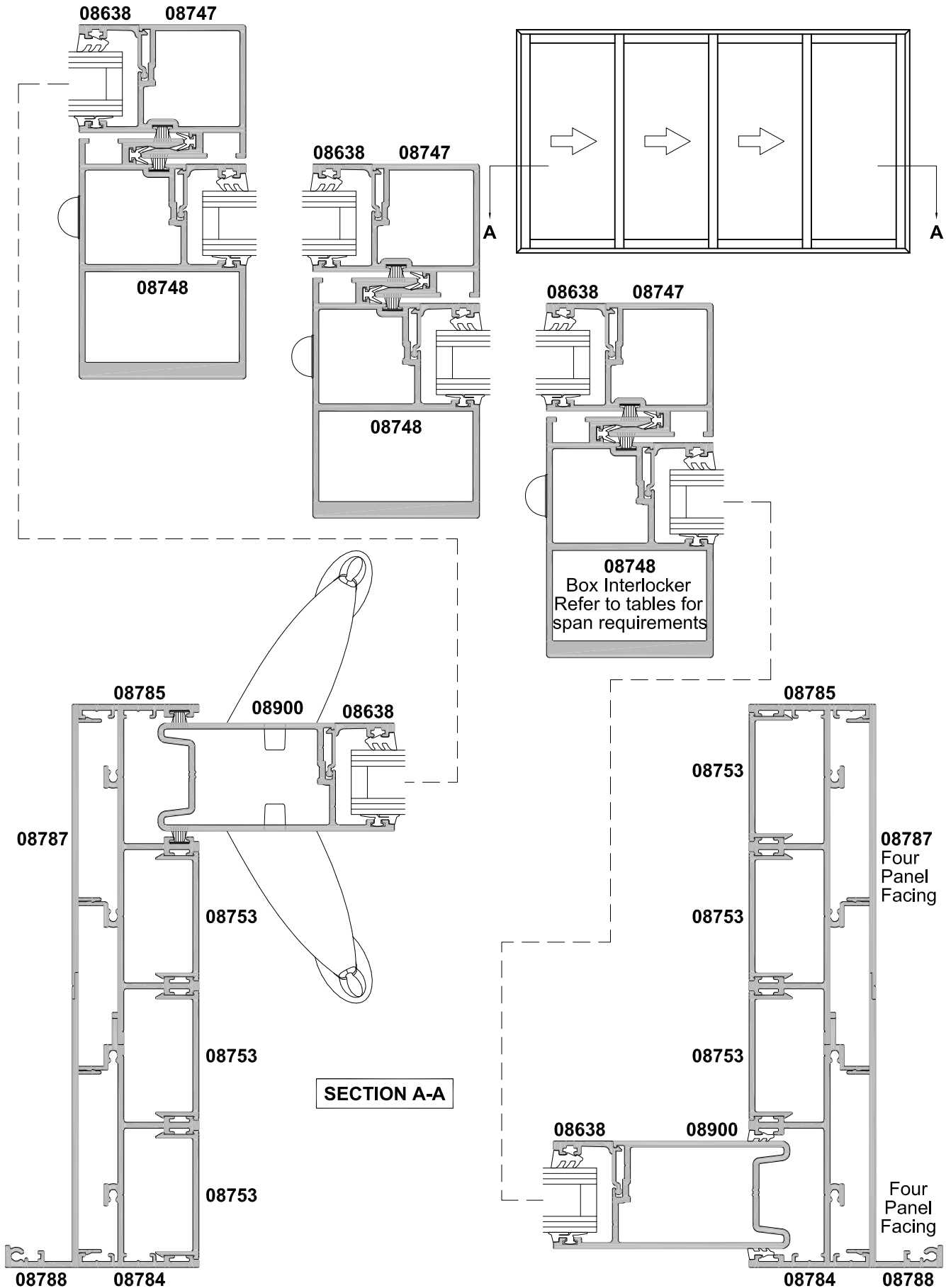


**SECTION B-B**



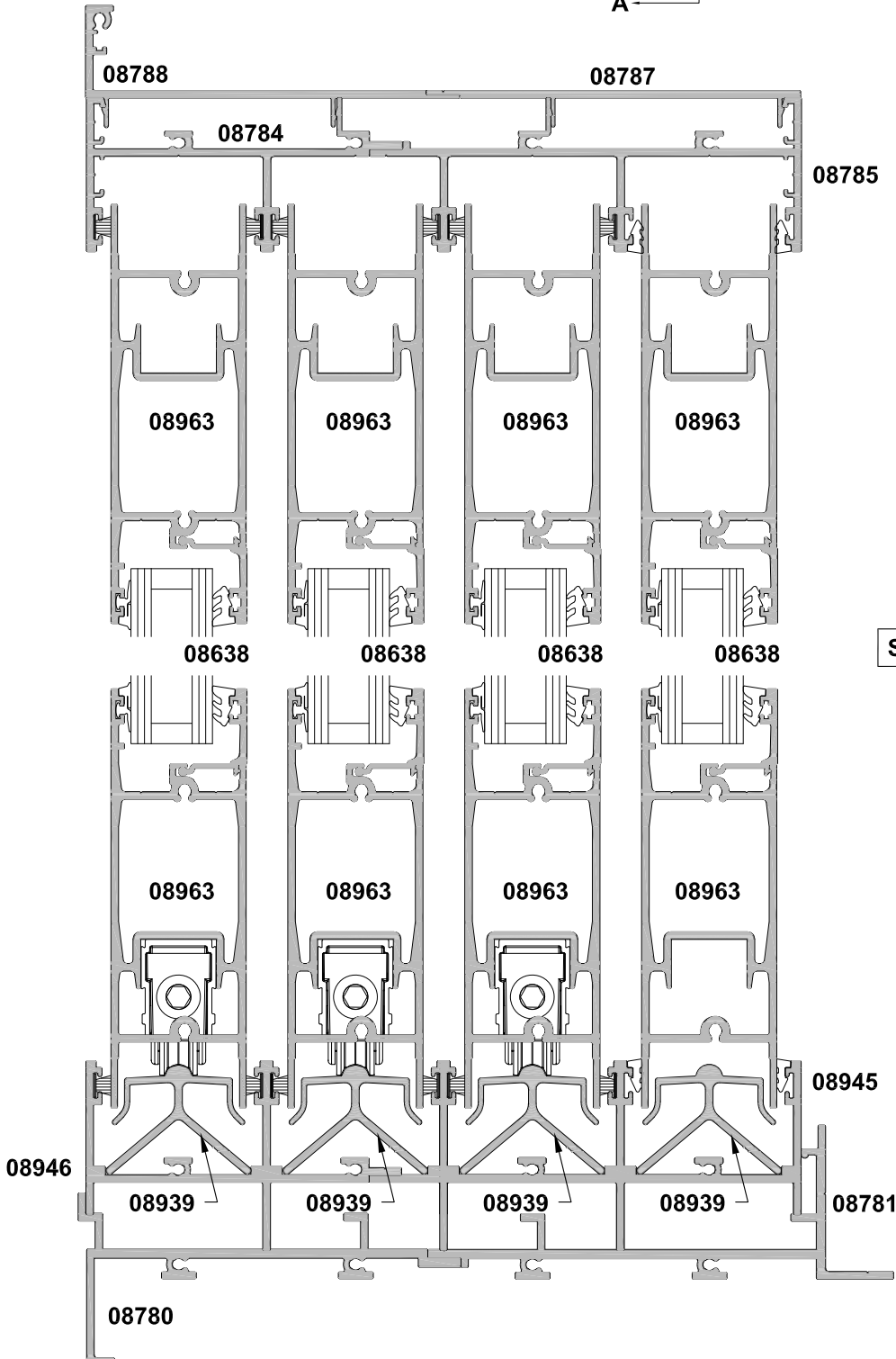
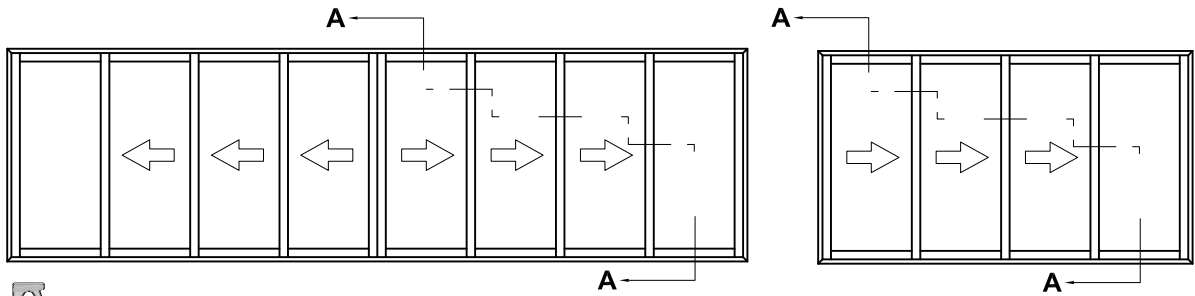
# APL ARCHITECTURAL SERIES SLIDING DOOR - FOUR TRACK, 4 PANEL FLUSHLINE CROSS SECTION

Cad Ref. AASD33-0    Scale 1:2    Date 01.10.16



# APL ARCHITECTURAL SERIES SLIDING DOOR - FOUR TRACK FLUSHLINE CROSS SECTION

Cad Ref. AASD34-0    Scale 1:2    Date 27.09.19



SECTION A-A