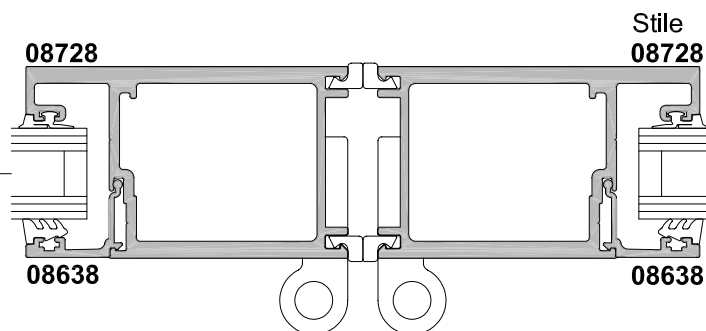
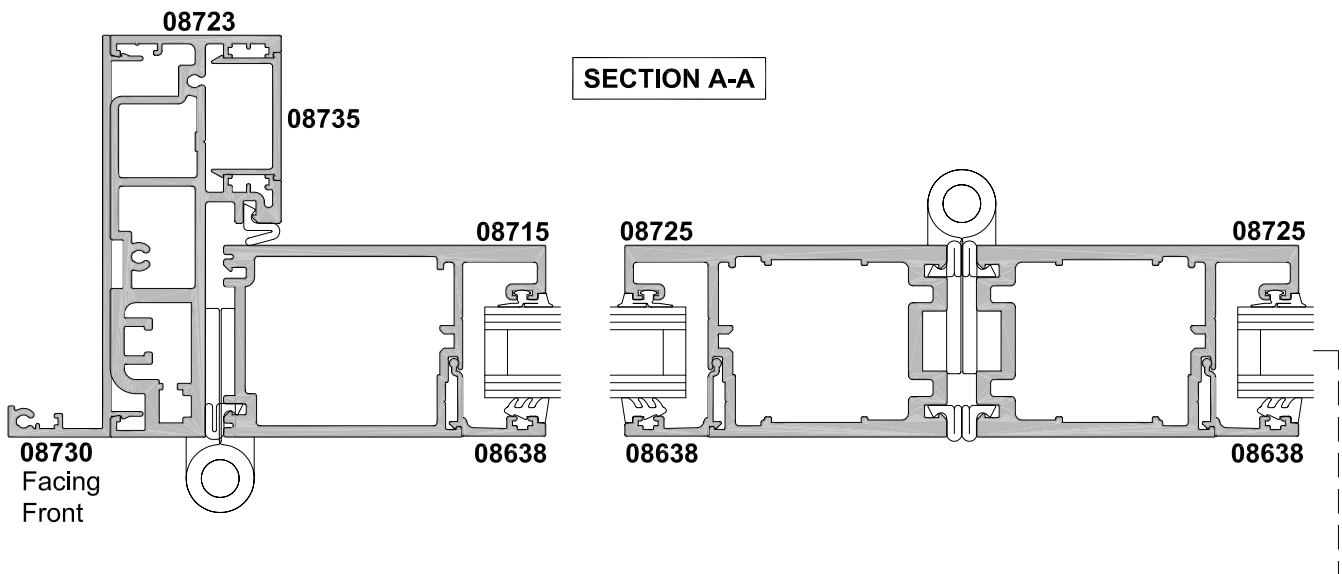
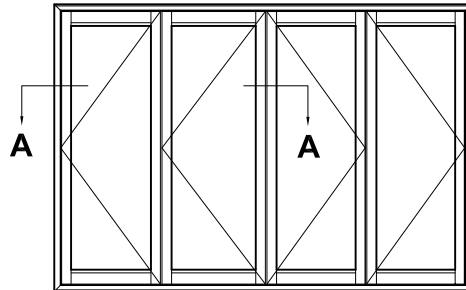


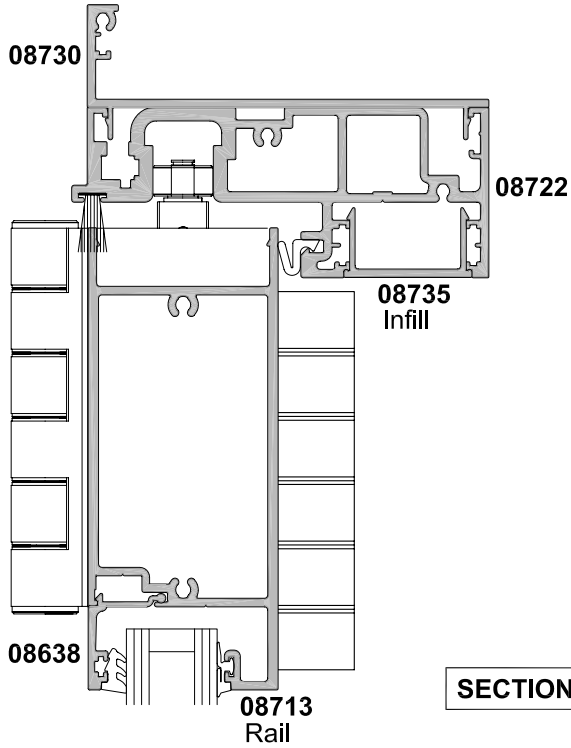
**APL ARCHITECTURAL SERIES**  
**A600AS BI-FOLD DOOR 2 + 2 PANEL**  
**CROSS SECTION**

Cad Ref. AABD02-0    Scale 1:2    Date 01.01.09

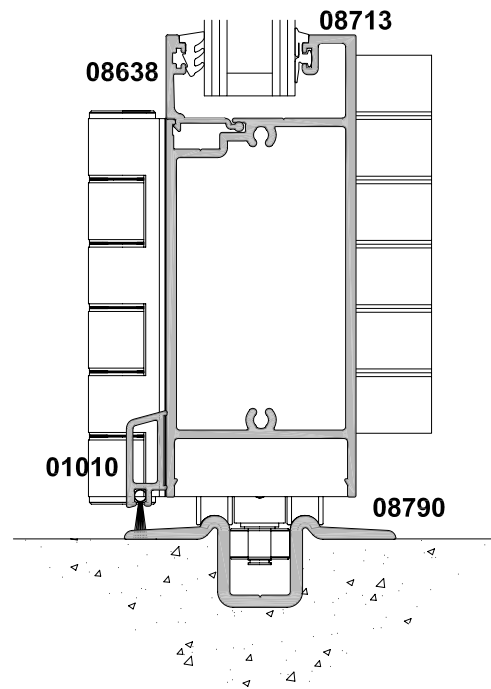
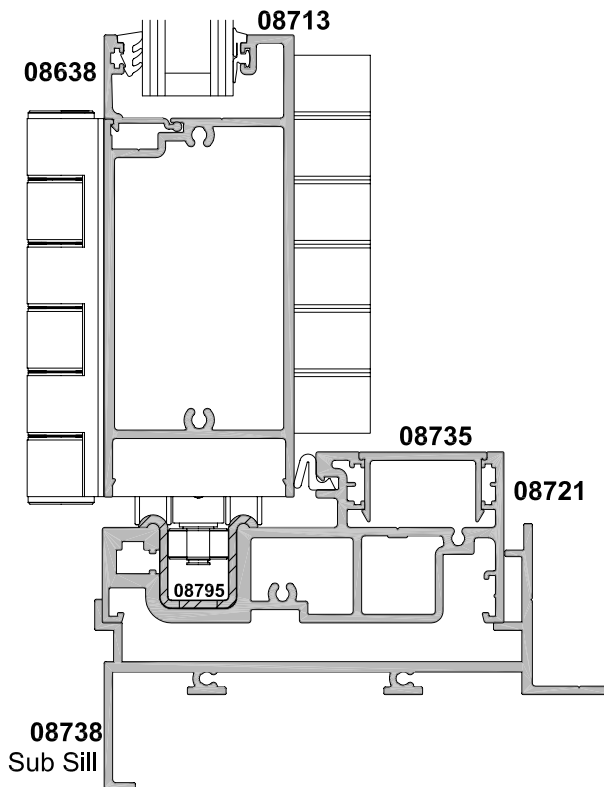
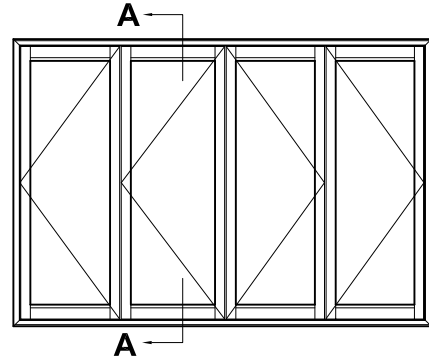


**APL ARCHITECTURAL SERIES**  
**A600AS TYPICAL BI-FOLD DOOR**  
**CROSS SECTION**

Cad Ref. AABD03-0    Scale 1:2    Date 01.01.09



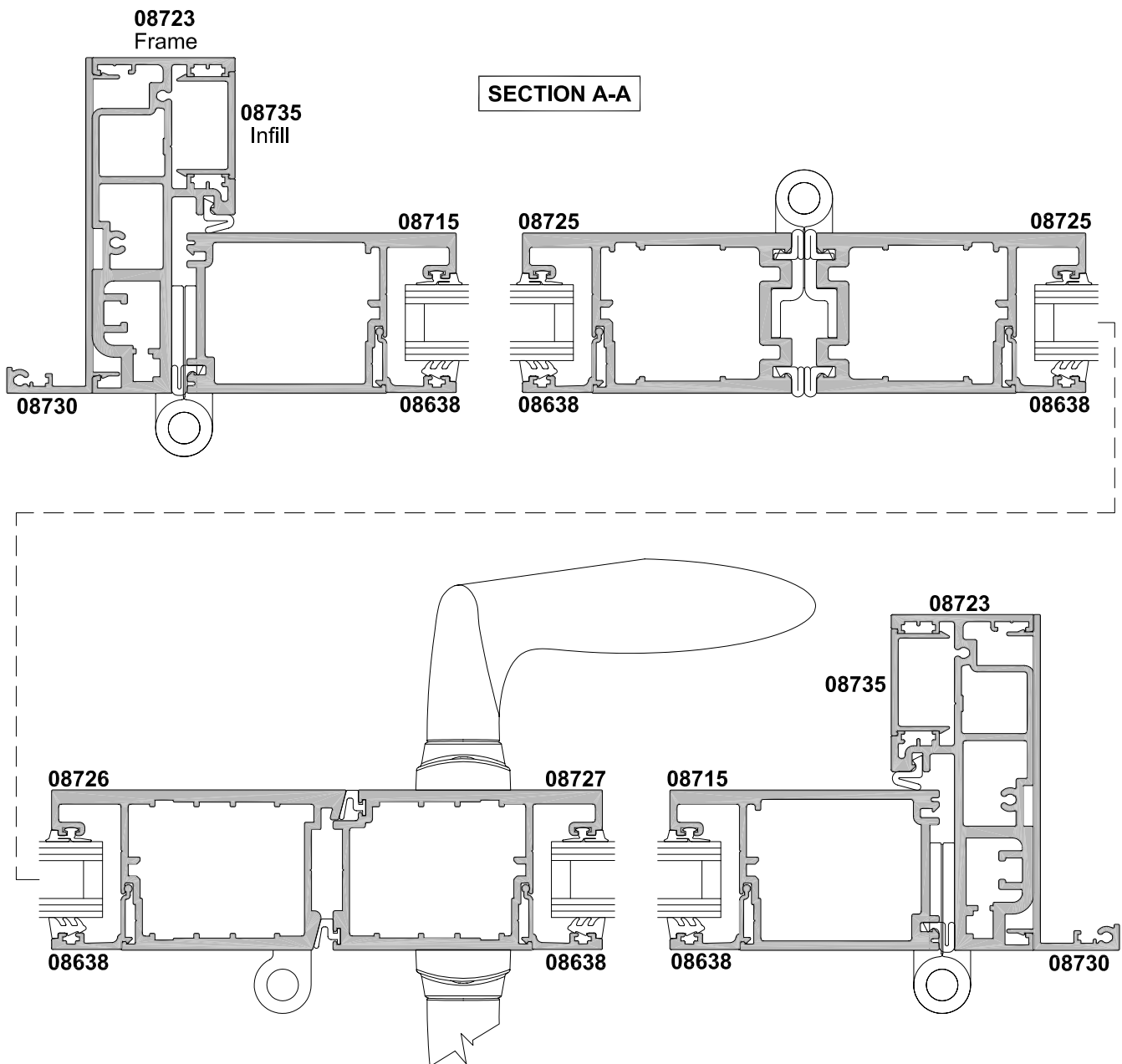
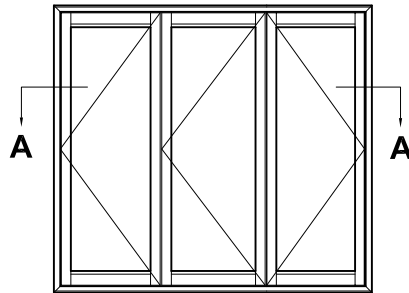
**SECTION A-A**



**FLUSH SILL OPTION**  
 For sheltered locations only

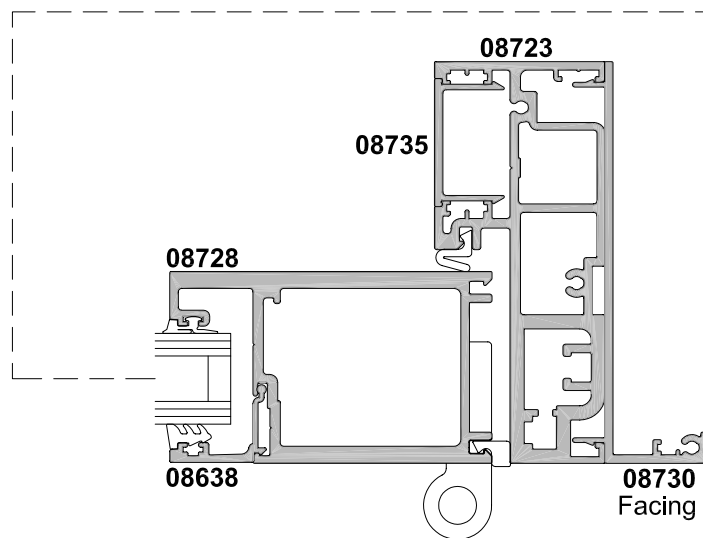
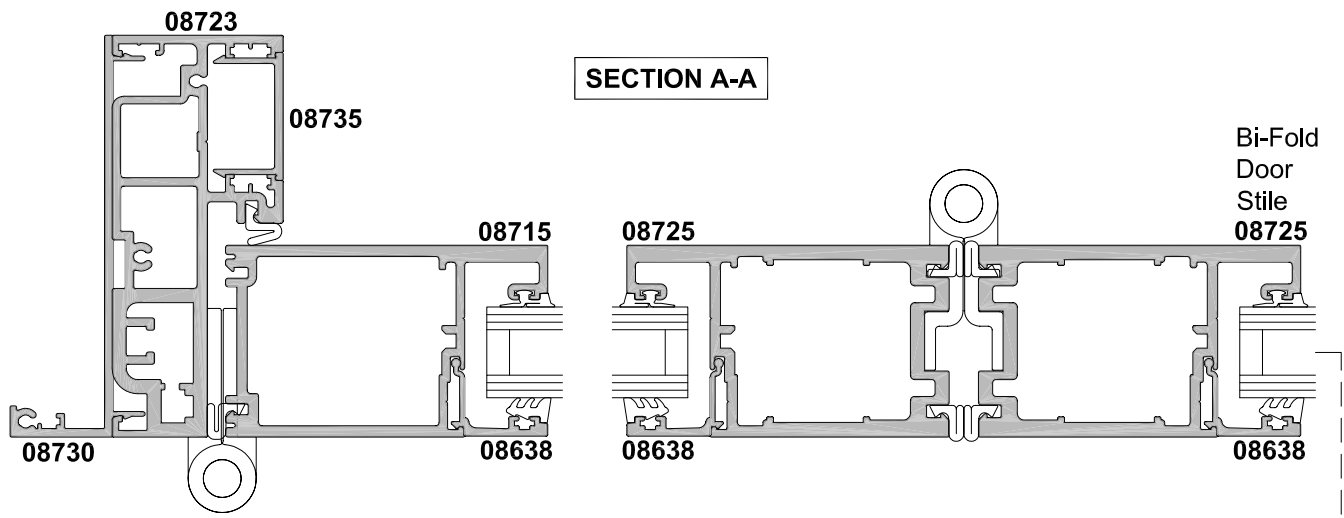
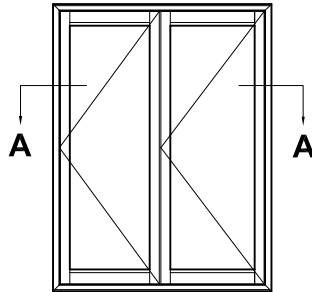
**APL ARCHITECTURAL SERIES**  
**A600AS BI-FOLD DOOR 2 + 1 PANEL**  
**CROSS SECTION**

Cad Ref. AABD04-0    Scale 1:2    Date 01.01.09



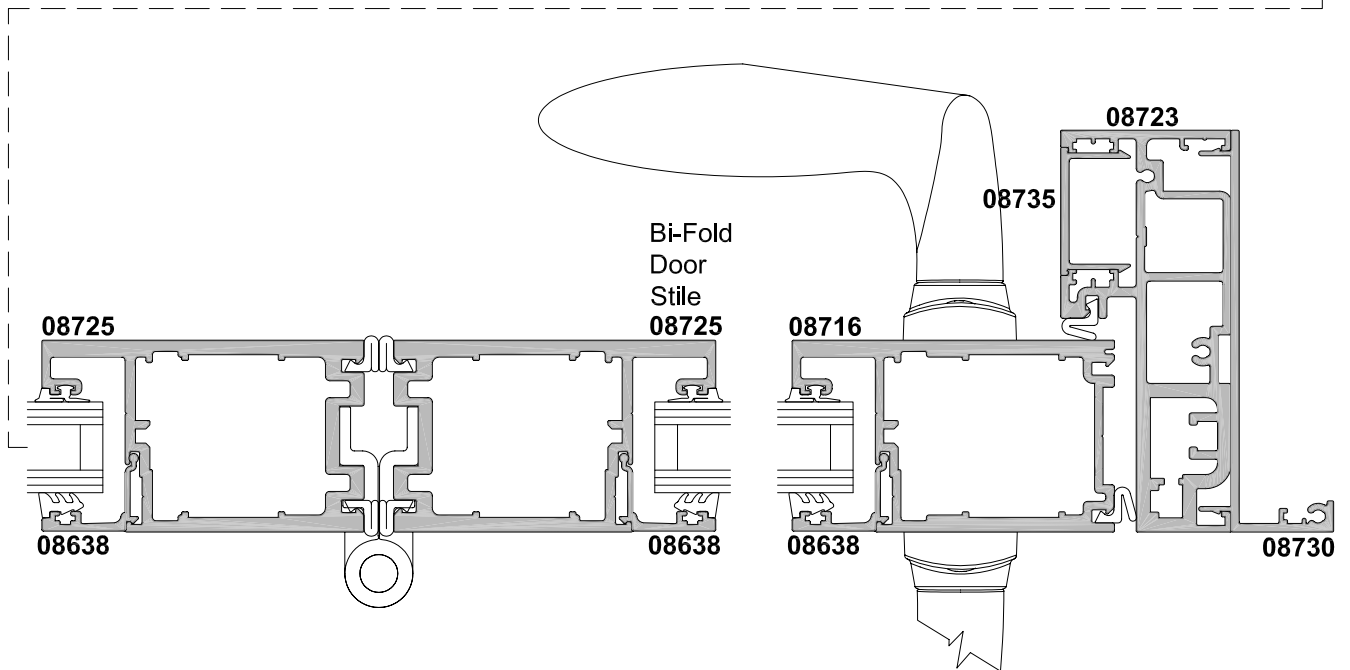
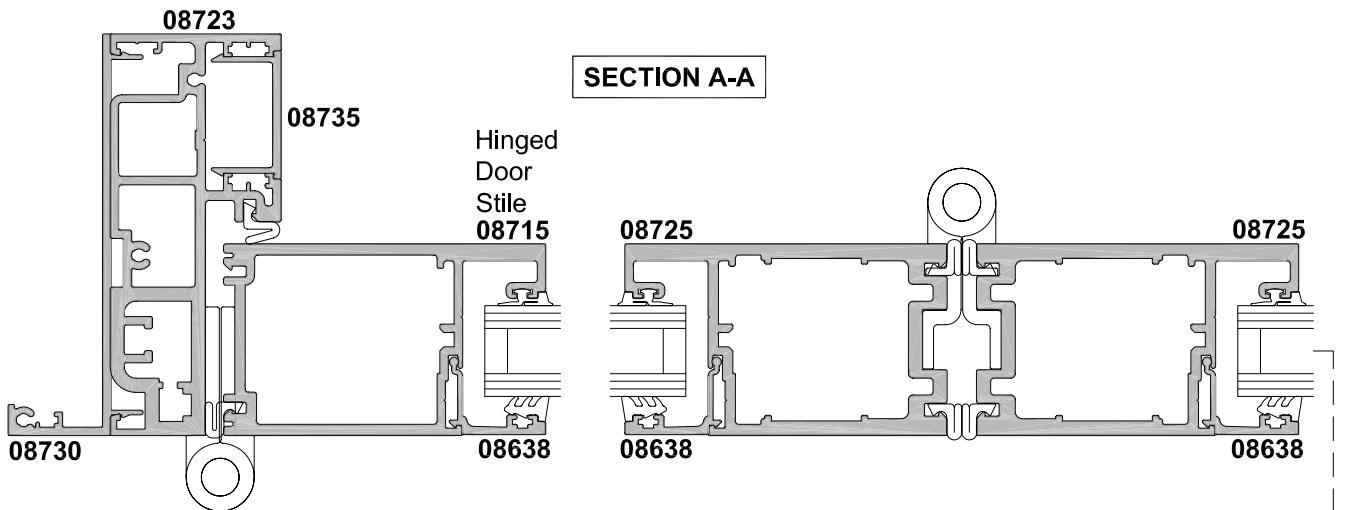
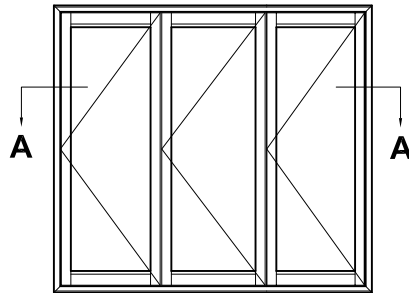
**APL ARCHITECTURAL SERIES**  
**A600AS BI-FOLD DOOR 2 PANEL**  
CROSS SECTION

Cad Ref. AABD05-0    Scale 1:2    Date 01.01.09



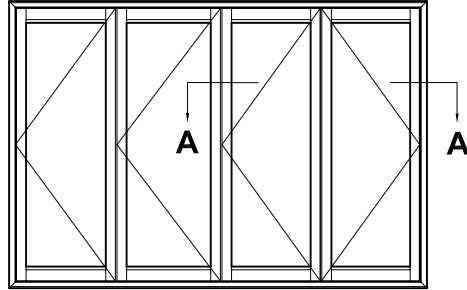
**APL ARCHITECTURAL SERIES**  
**A600AS BI-FOLD DOOR 3 PANEL**  
CROSS SECTION

Cad Ref. AABD06-0    Scale 1:2    Date 01.01.09



**APL ARCHITECTURAL SERIES**  
**A600AS BI-FOLD DOOR 3 + 1 PANEL**  
**CROSS SECTION**

Cad Ref. AABD07-0    Scale 1:2    Date 01.01.09



**SECTION A-A**

