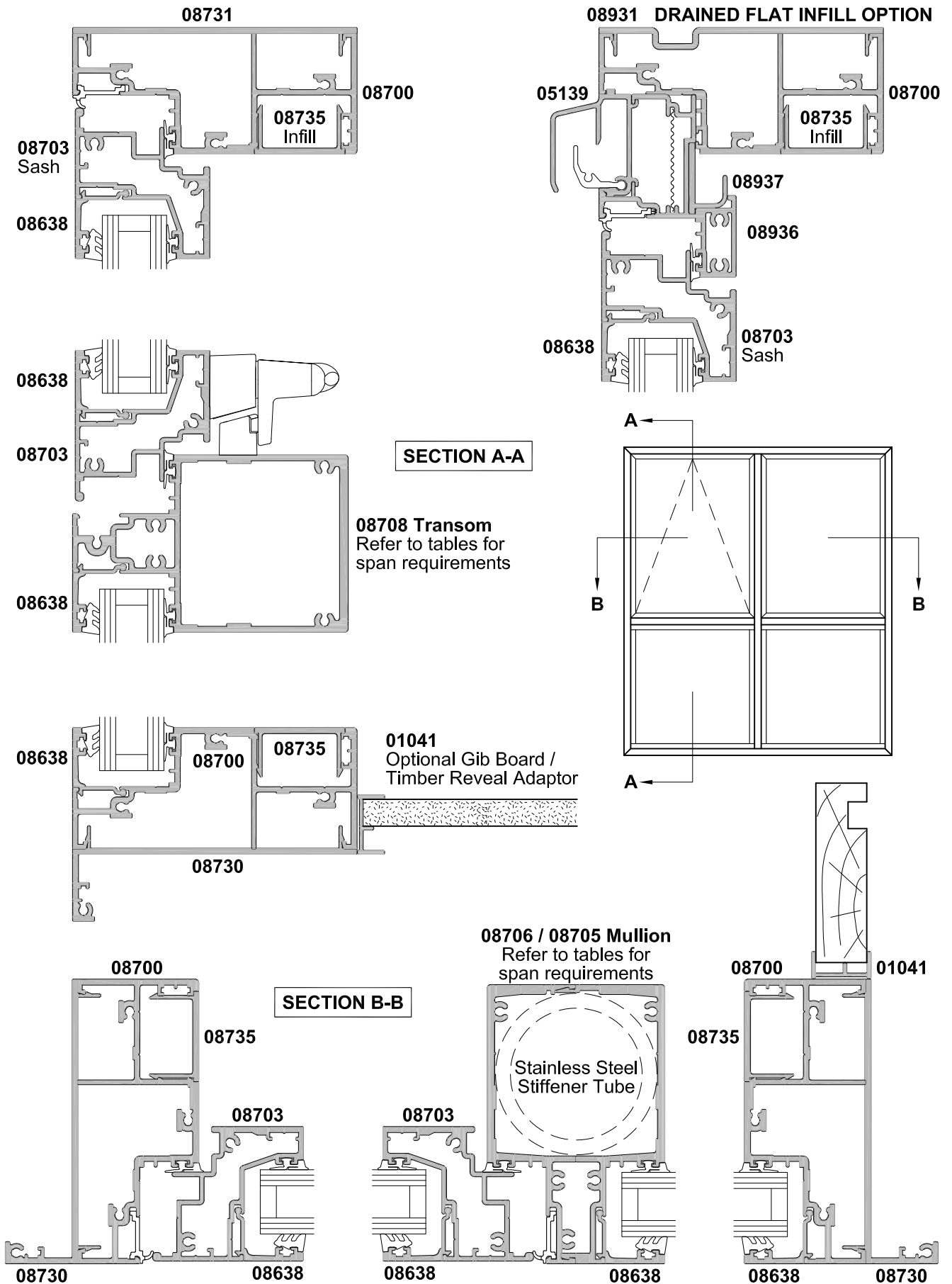
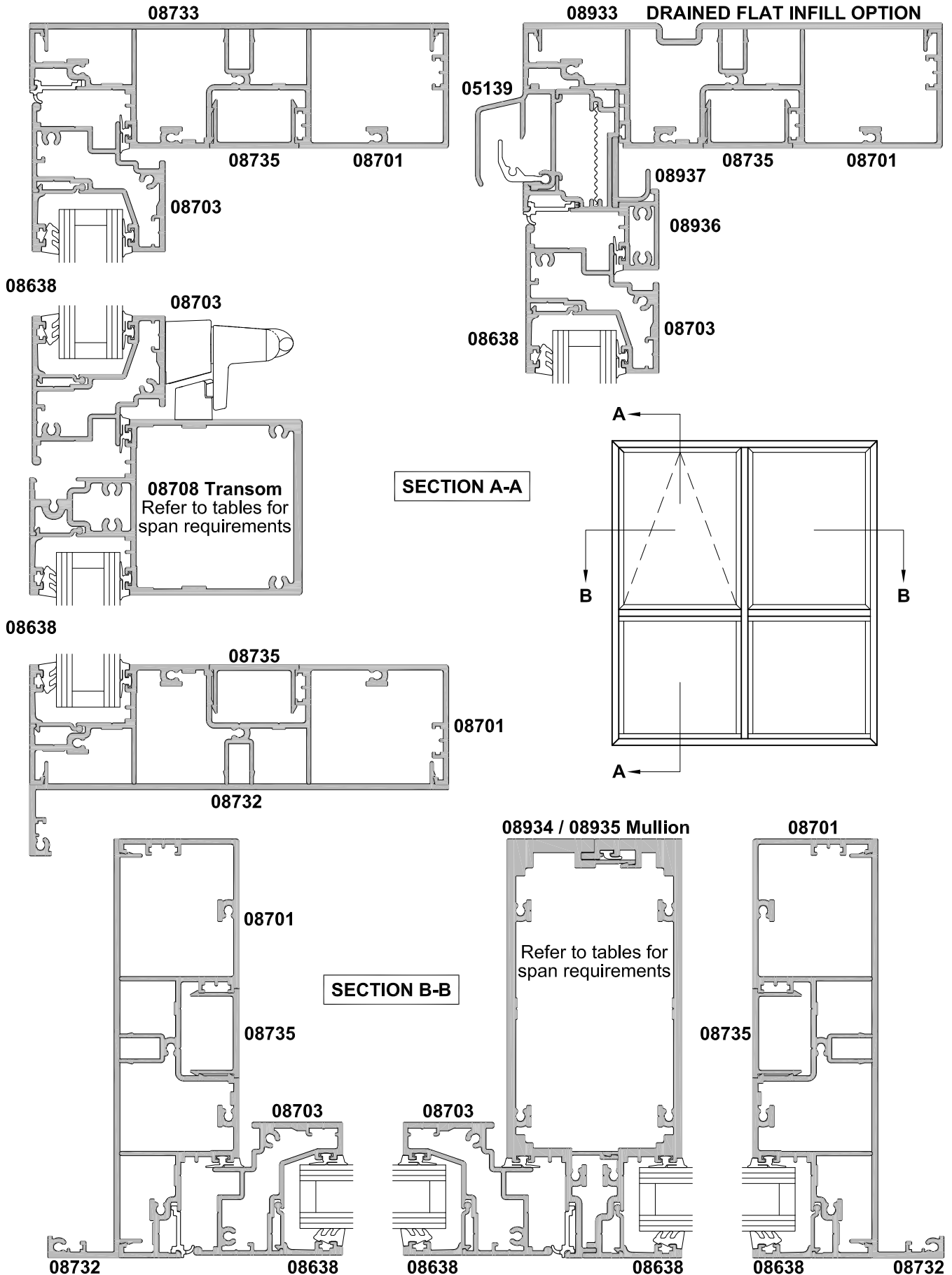
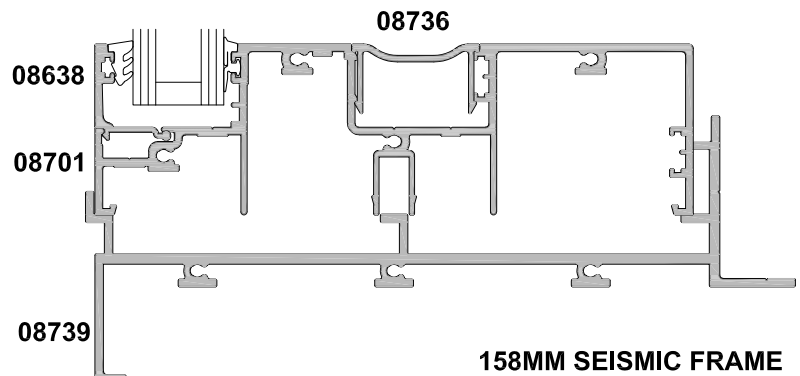
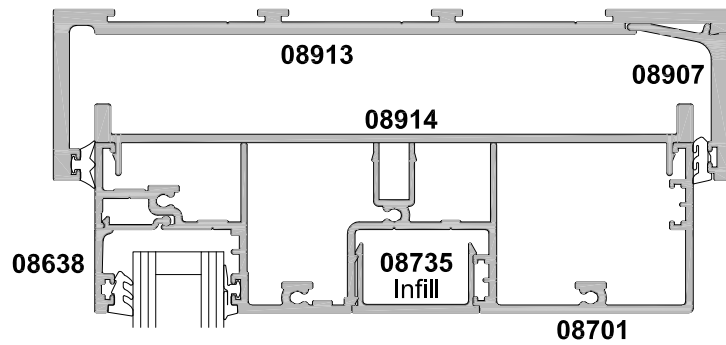
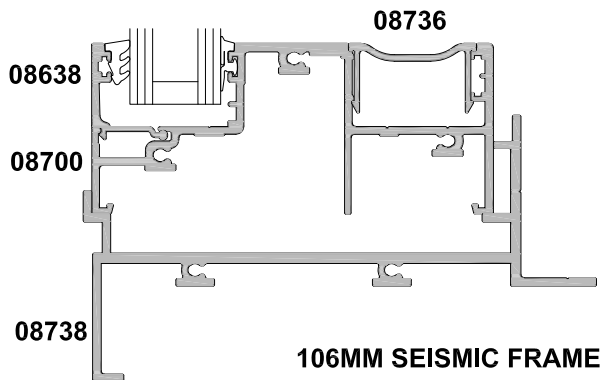
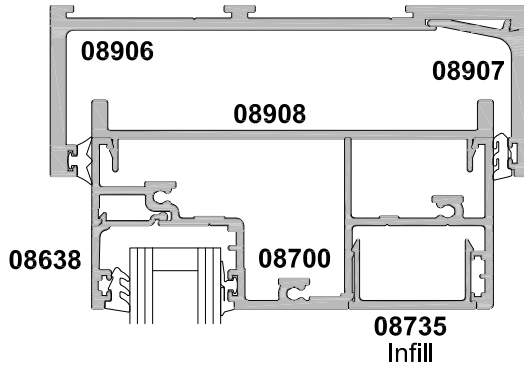


# APL ARCHITECTURAL SERIES AWNING WINDOW 106MM FRAME AND AEROVENT CROSS SECTION

Cad Ref. AAAW01-0 Scale 1:2 Date 01.06.18

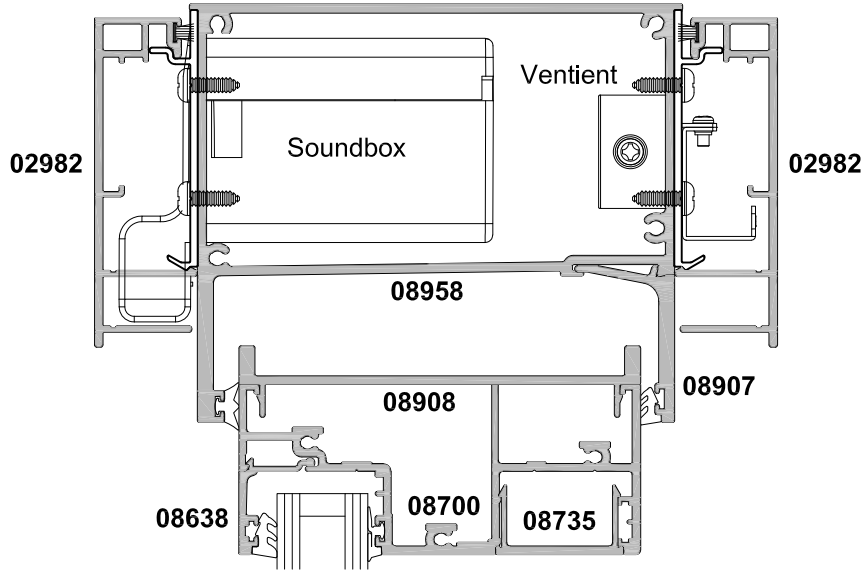




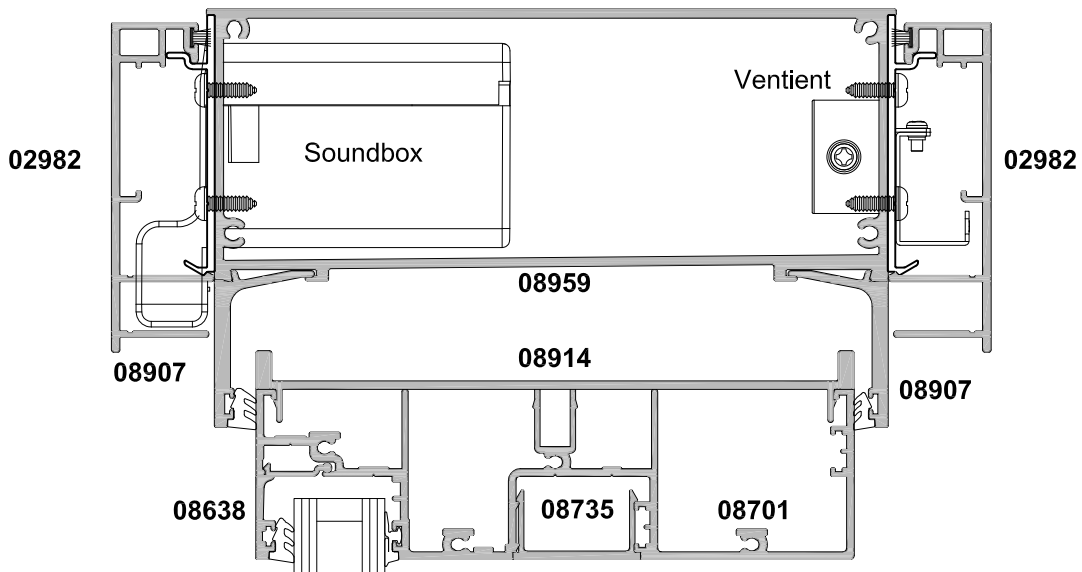


**APL ARCHITECTURAL SERIES**  
**106MM & 158MM VENTIENT**  
CROSS SECTION

Cad Ref. AAAW04-0    Scale 1:2    Date 01.08.18



**106MM VENTIENT FRAME**



**158MM VENTIENT FRAME**