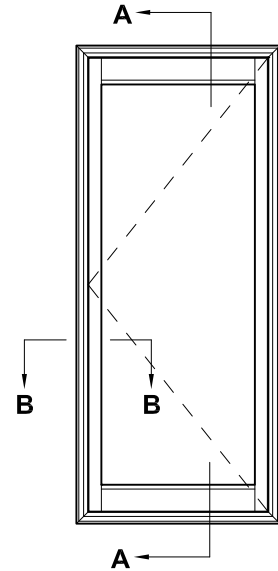
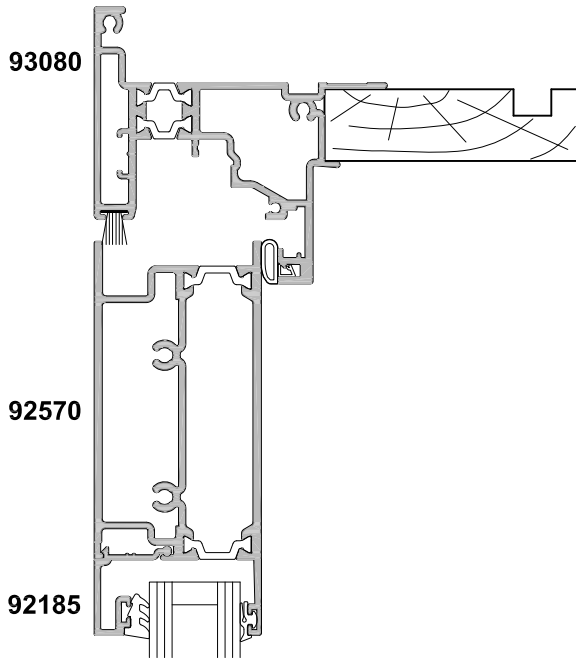
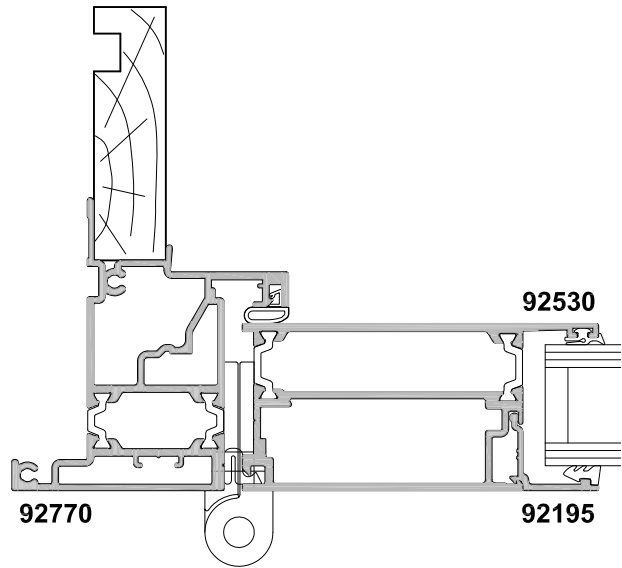
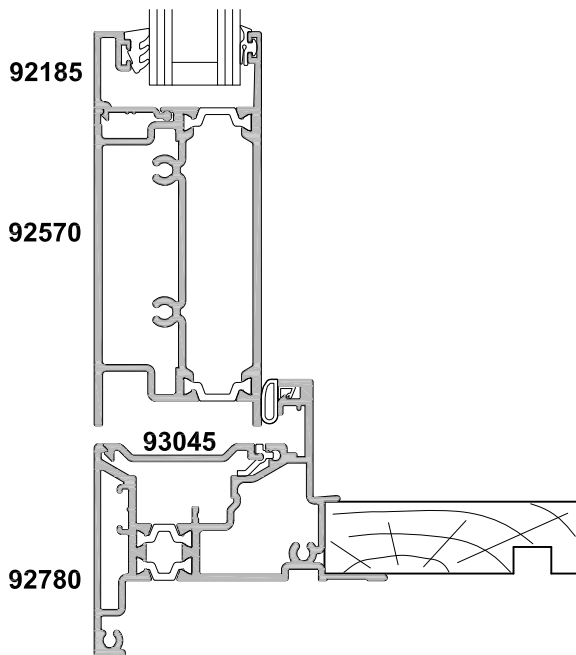


**METRO THERMAL HEART, HINGED DOOR
OPEN OUT
CROSS SECTION**

Cad Ref. ATHD02-0 Scale 1:2 Date 01.08.17



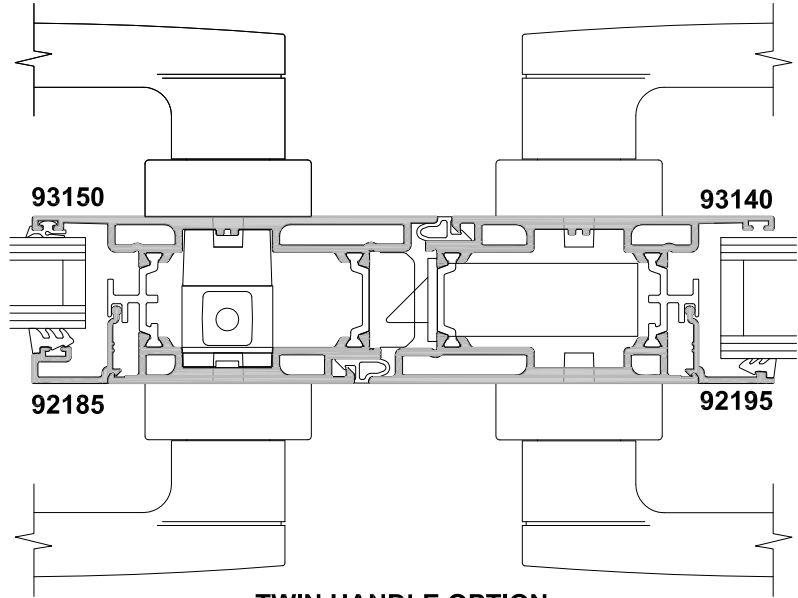
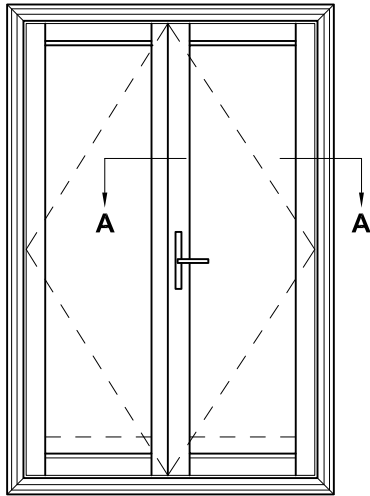
SECTION A-A



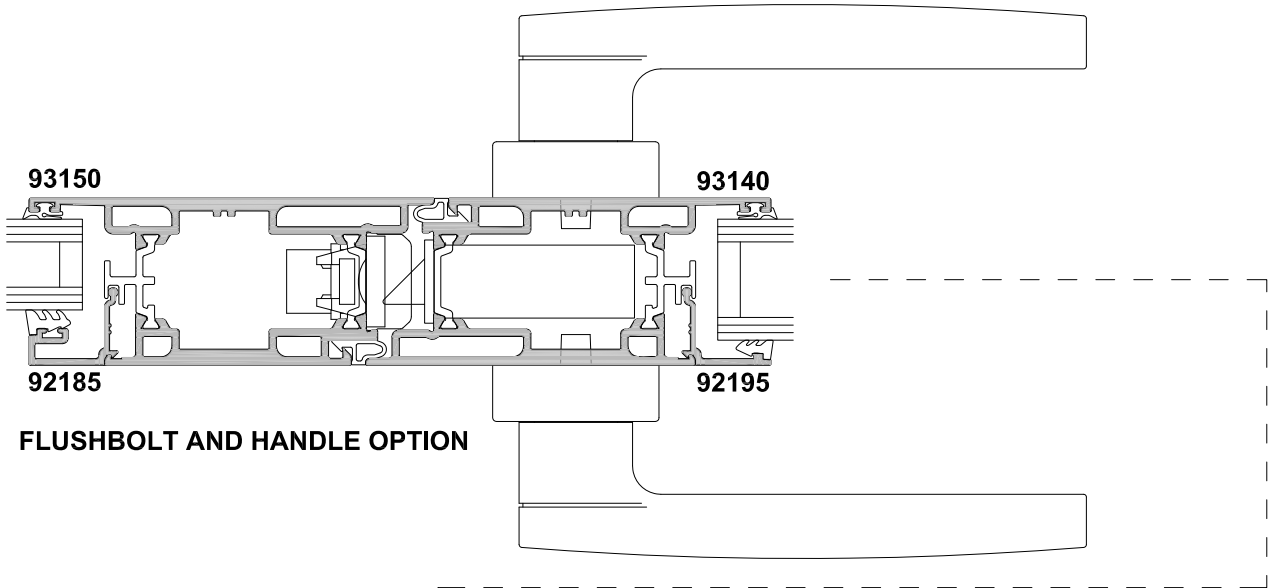
SECTION B-B

METRO THERMAL HEART, HINGED DOOR FRENCH DOOR CROSS SECTION

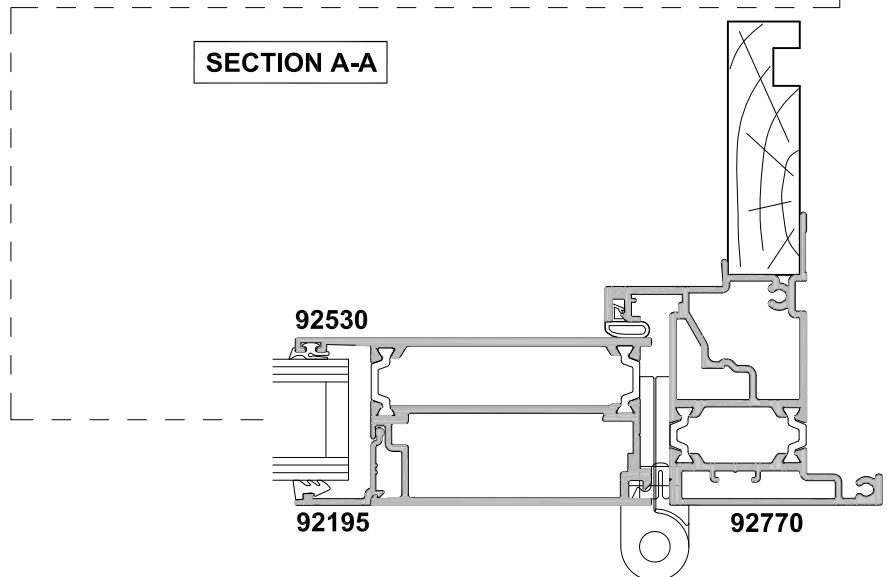
Cad Ref. ATHD03-0 Scale 1:2 Date 01.08.17

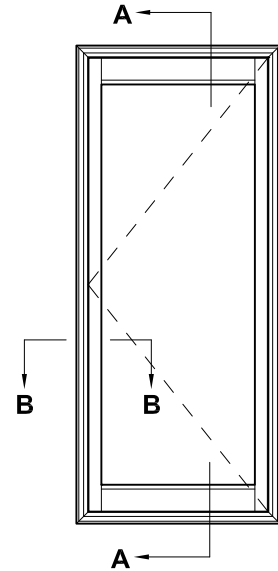
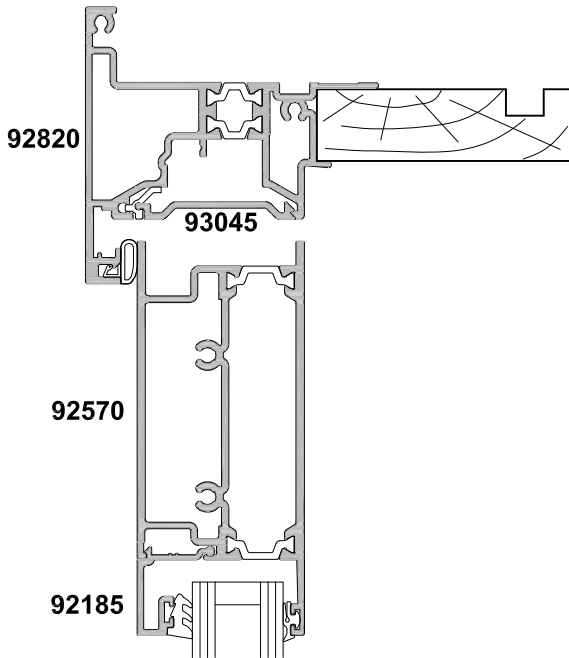


TWIN HANDLE OPTION

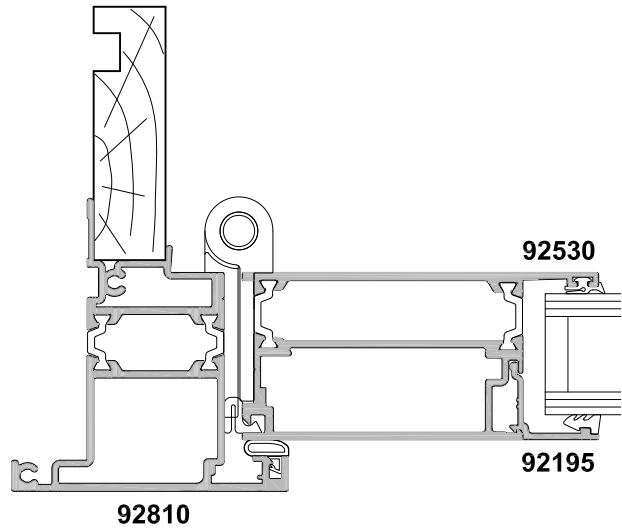
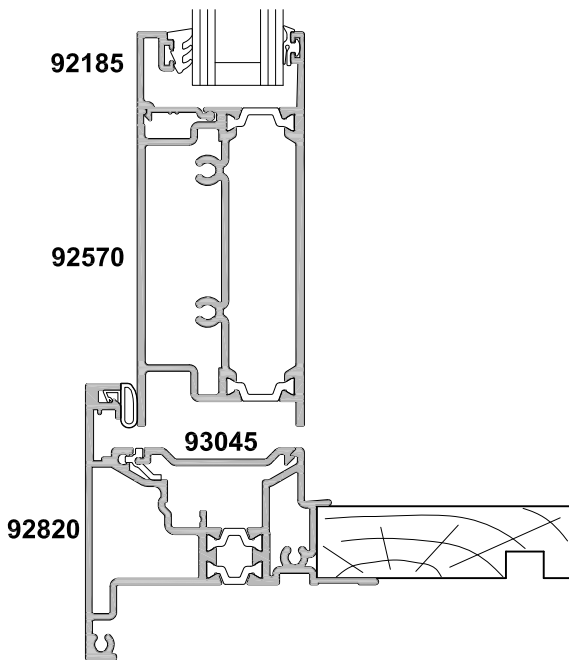


FLUSHBOLT AND HANDLE OPTION





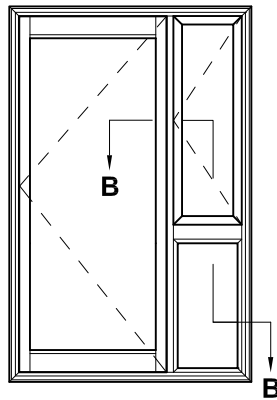
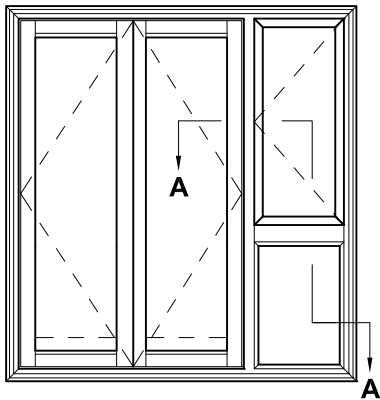
SECTION A-A



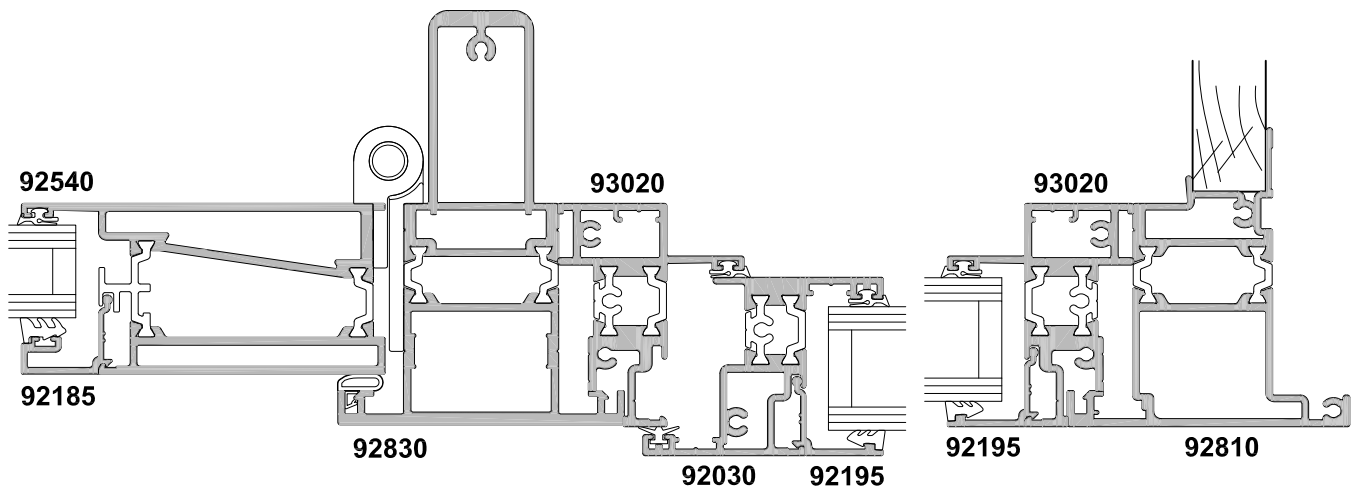
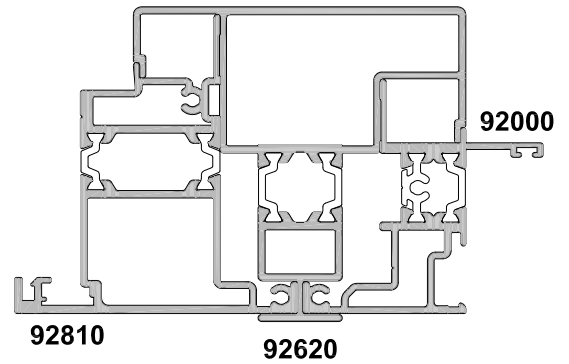
SECTION B-B

METRO THERMAL HEART, OPEN OUT & OPEN IN HINGED DOOR COUPLED SIDELIGHT CROSS SECTION

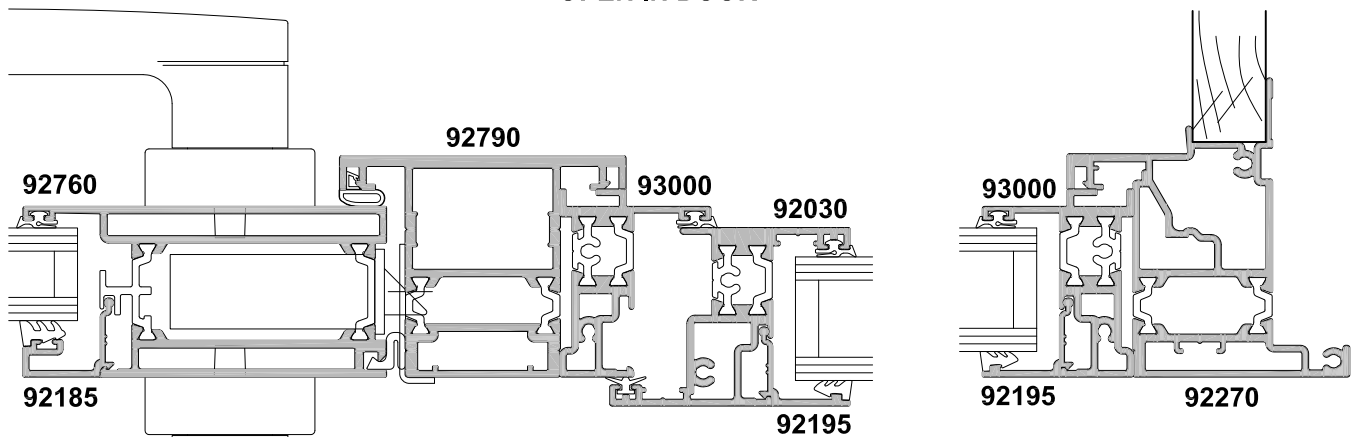
Cad Ref. ATHD05-0 Scale 1:2 Date 01.08.17



COUPLING BAR OPTION



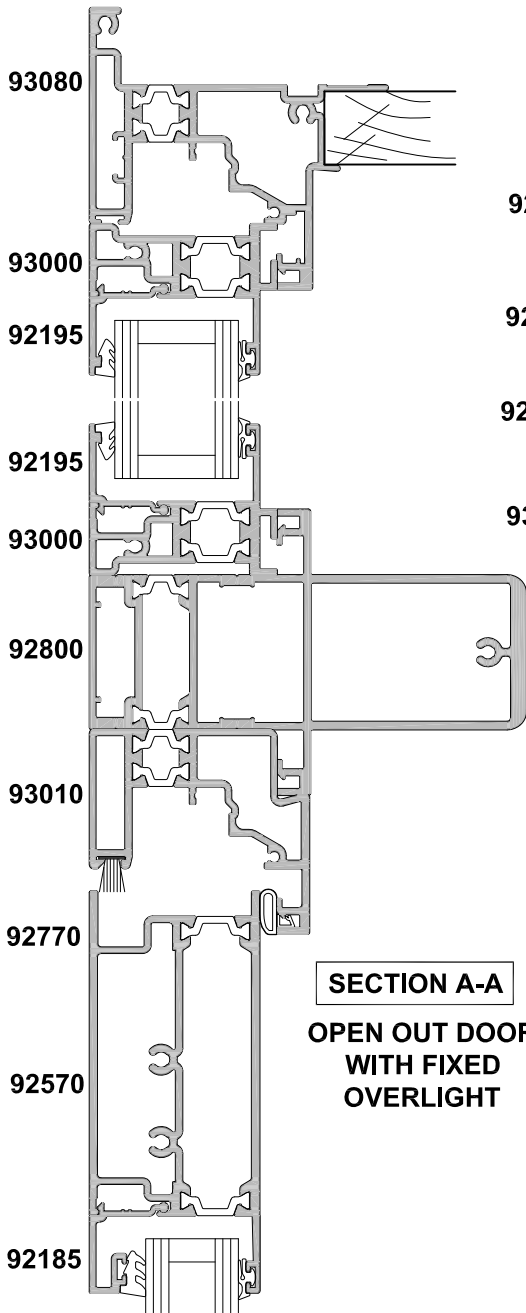
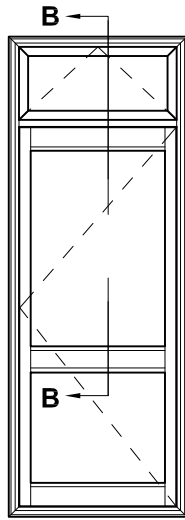
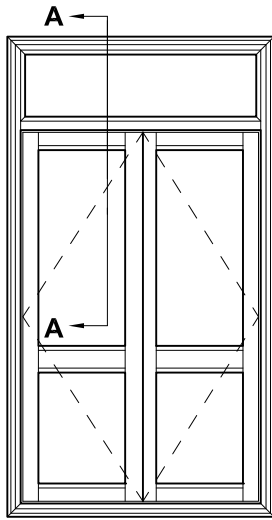
**SECTION A-A
OPEN IN DOOR**



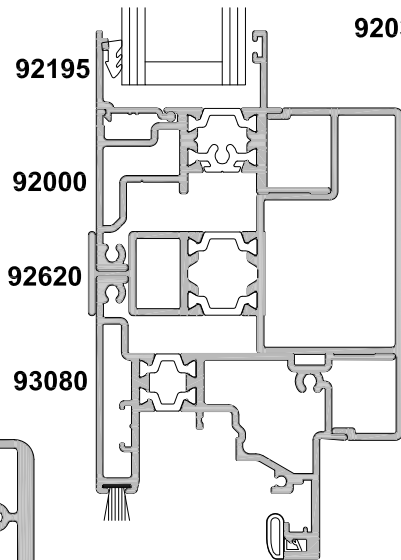
**SECTION B-B
OPEN OUT DOOR**

METRO THERMAL HEART, OPEN OUT & OPEN IN HINGED DOOR COUPLED OVERLIGHT CROSS SECTION

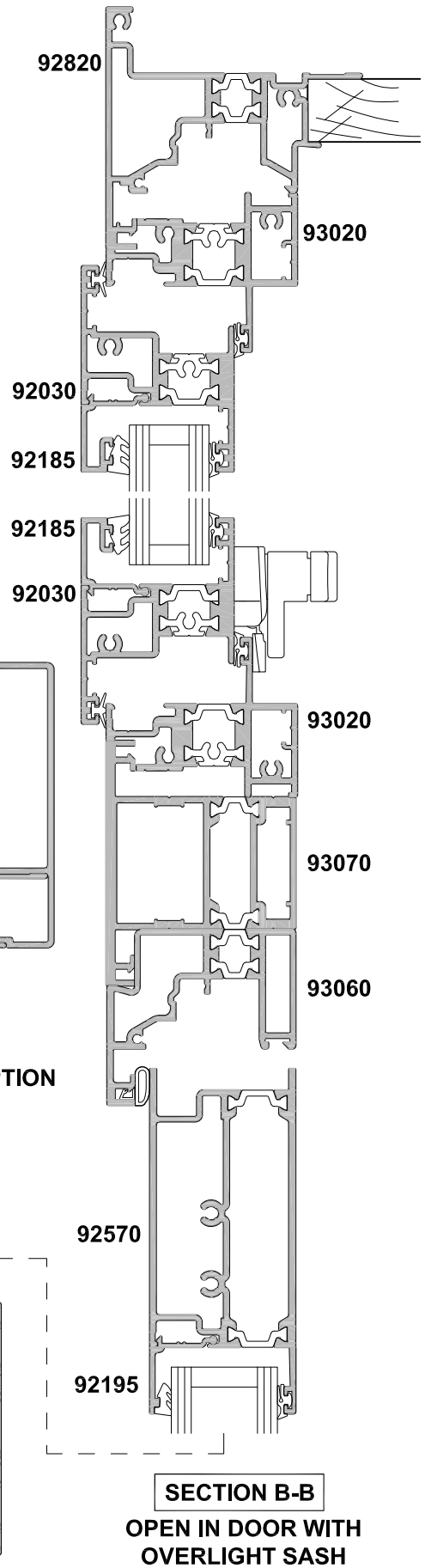
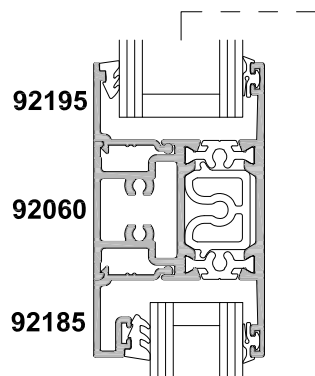
Cad Ref. ATHD06-0 Scale 1:2 Date 01.08.17



SECTION A-A
OPEN OUT DOOR
WITH FIXED
OVERLIGHT



COUPLING BAR OPTION



SECTION B-B
OPEN IN DOOR WITH
OVERLIGHT SASH