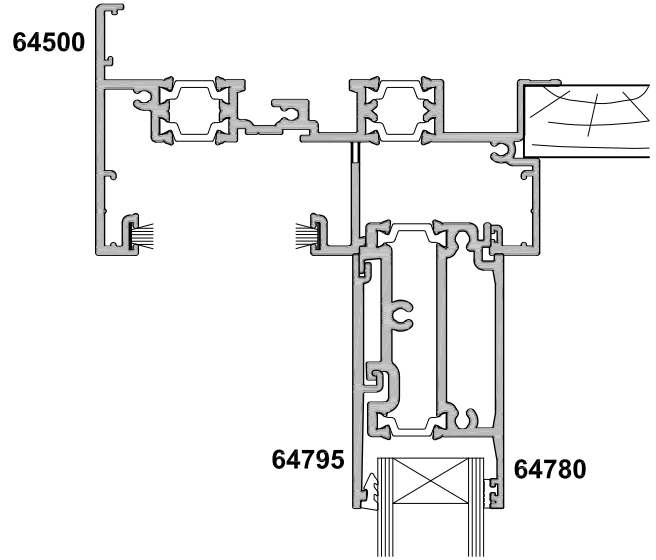
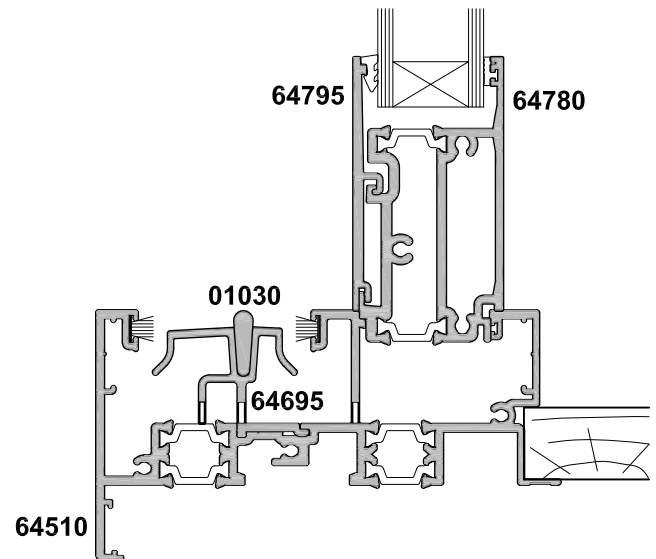
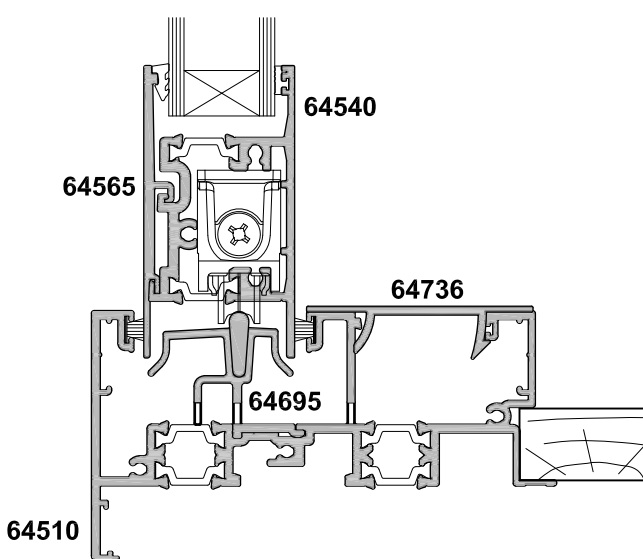


SECTION A-A

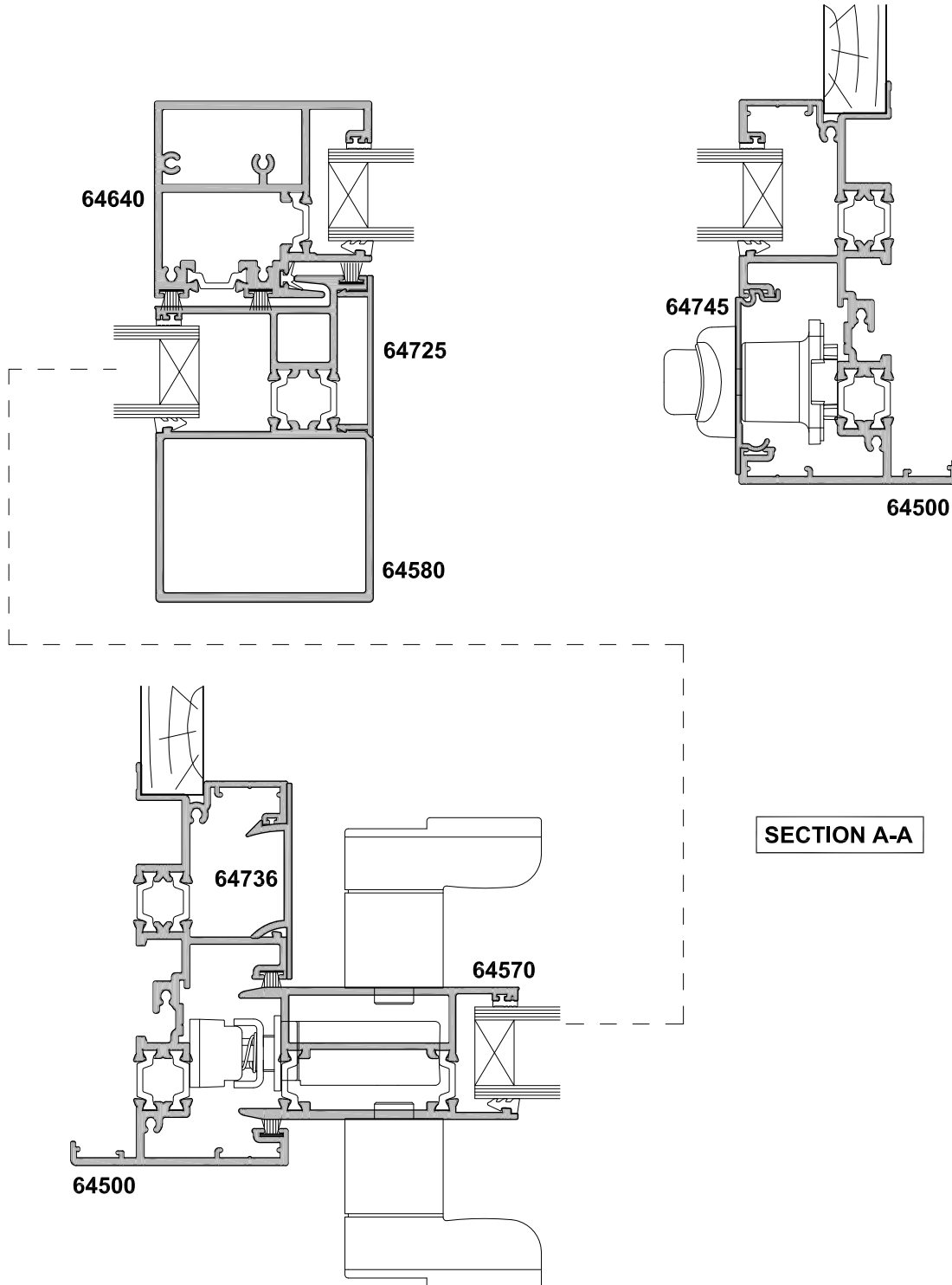
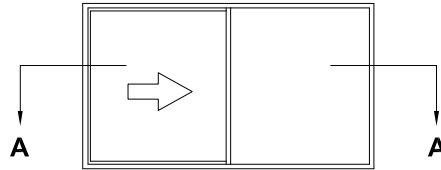


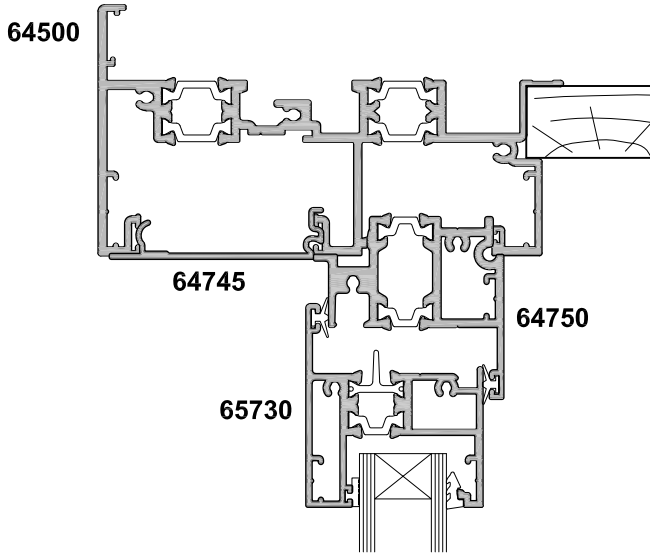
SECTION B-B



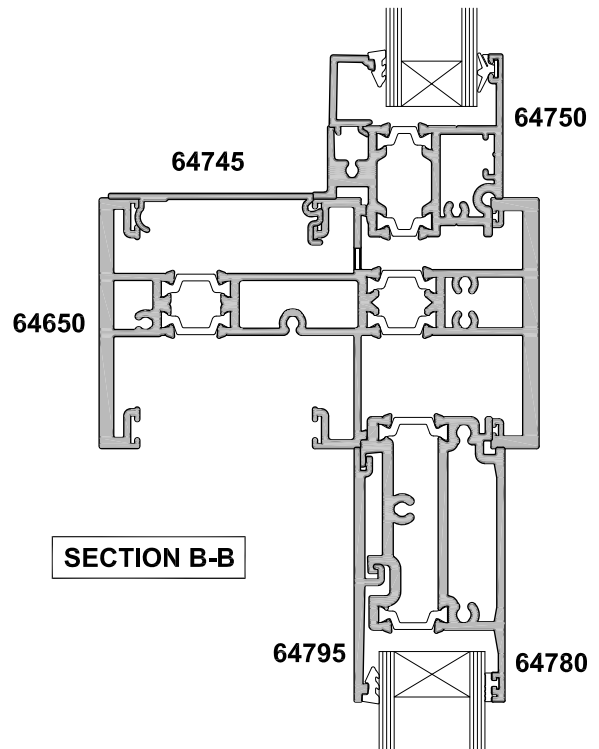
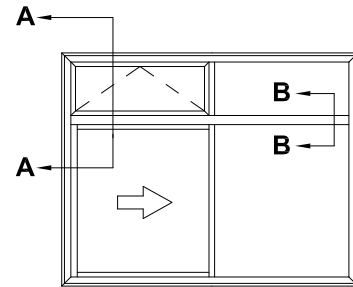
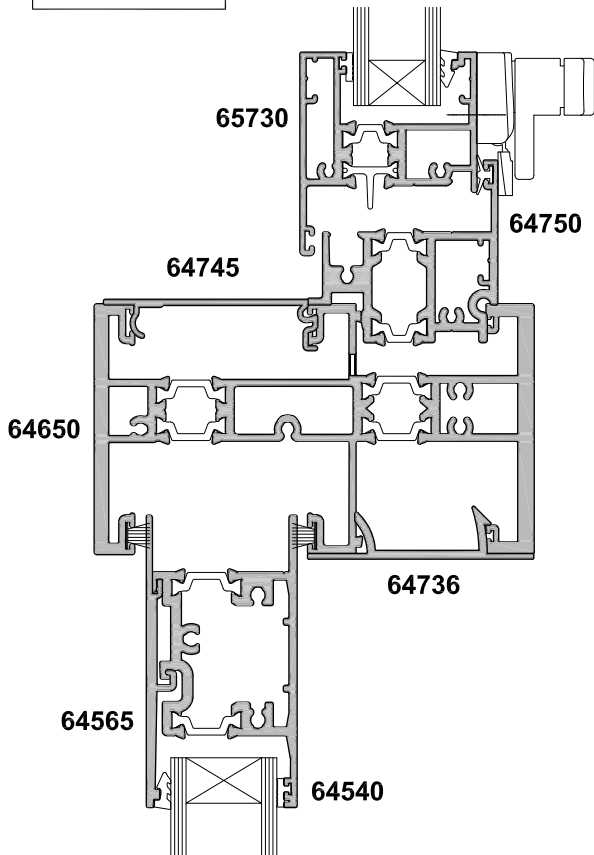
METRO SERIES THERMAL HEART, SLIDING WINDOW TWO PANEL SF CROSS SECTION

Cad Ref. ATSW03-0 Scale 1:2 Date 01.04.15





SECTION A-A



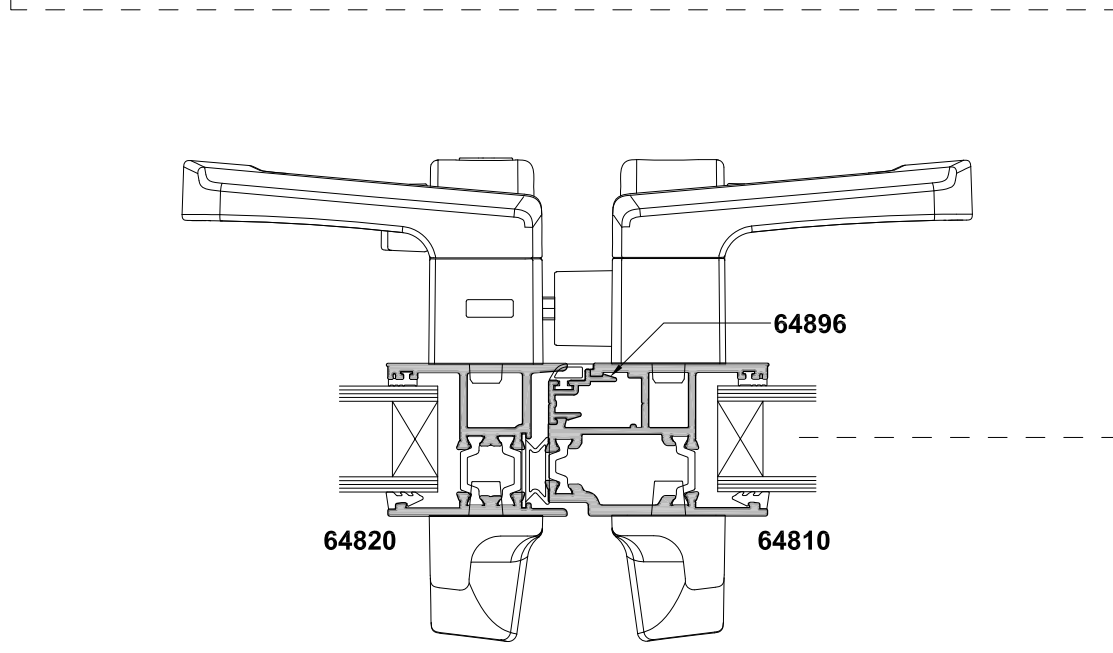
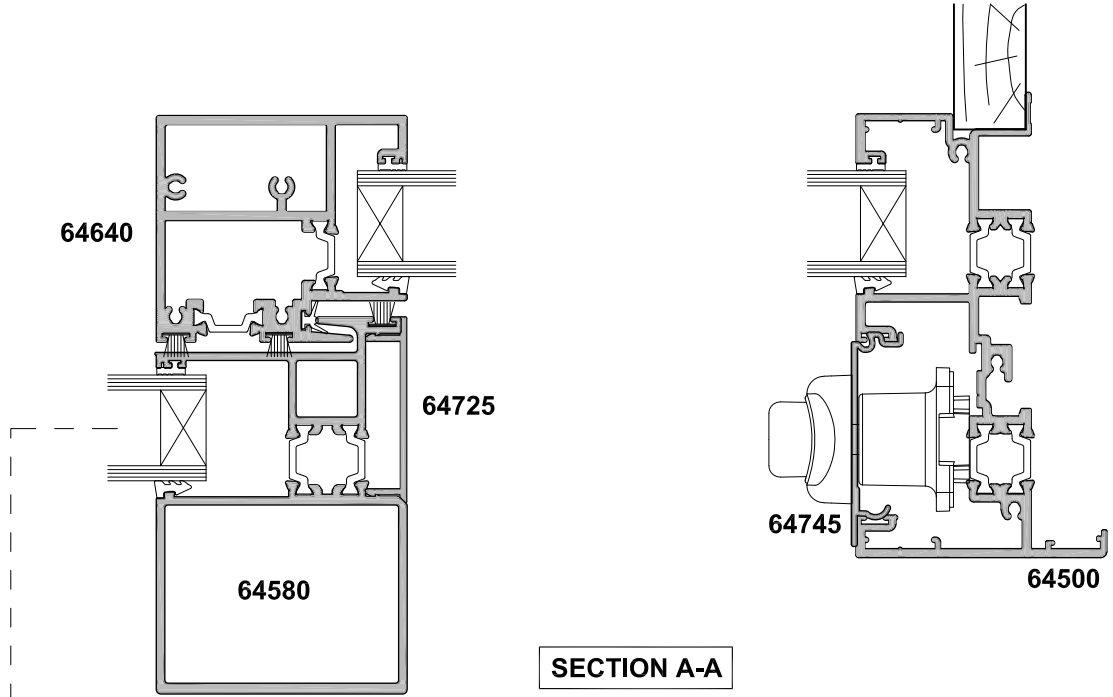
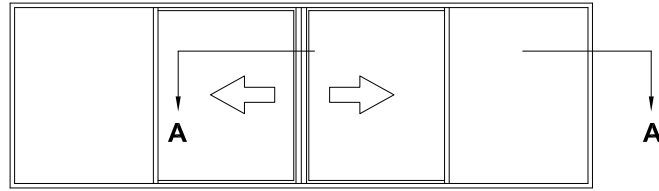
SECTION B-B

FIXED OVERLIGHT OPTION

METRO SERIES THERMAL HEART, SLIDING WINDOW FOUR PANEL FSSF

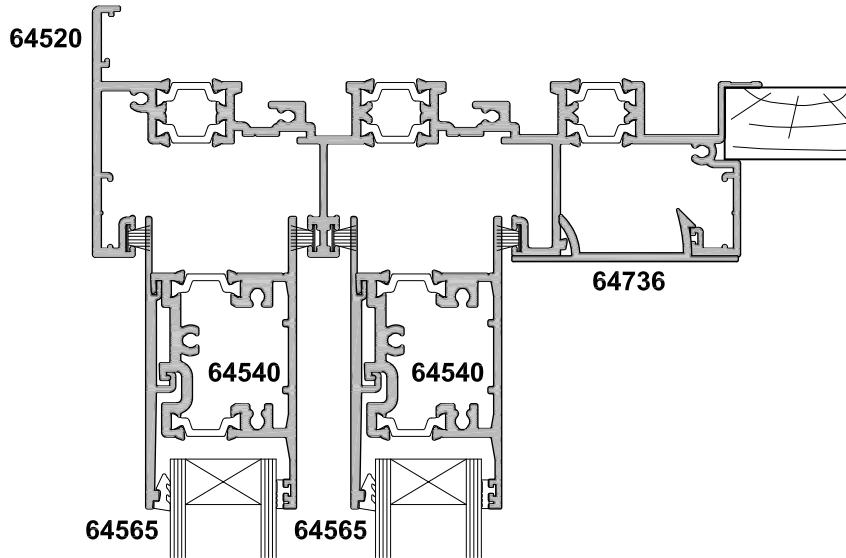
CROSS SECTION

Cad Ref. ATSW05-0 Scale 1:2 Date 01.04.15

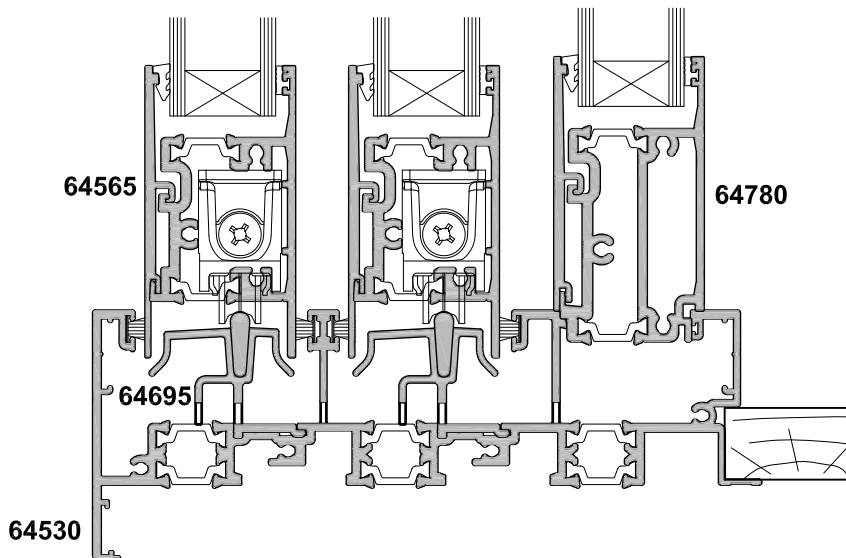
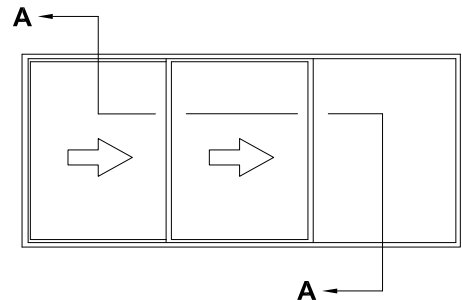


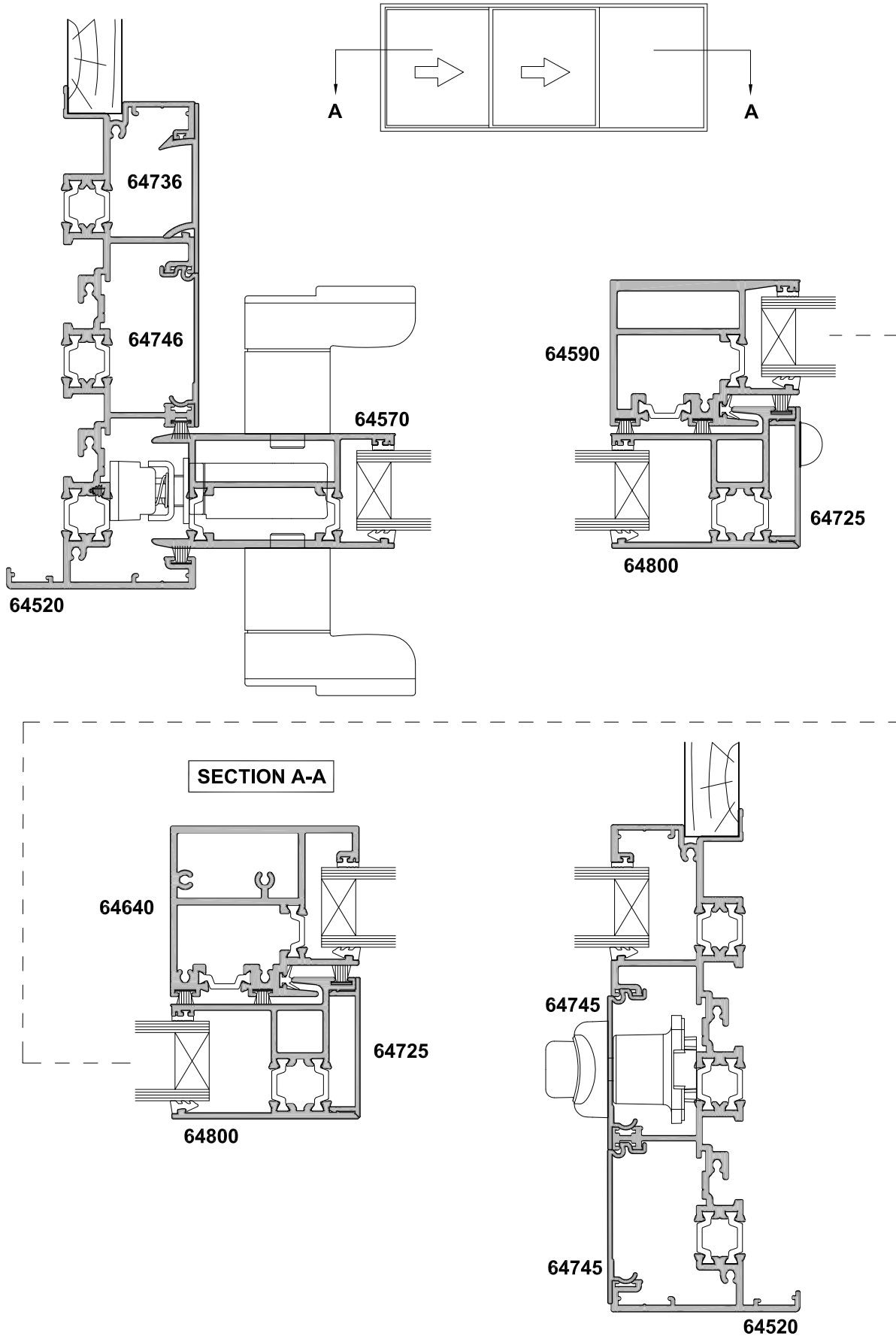
METRO SERIES THERMAL HEART, SLIDING WINDOW THREE PANEL SSF CROSS SECTION

Cad Ref. ATSW06-0 Scale 1:2 Date 01.04.15



SECTION A-A

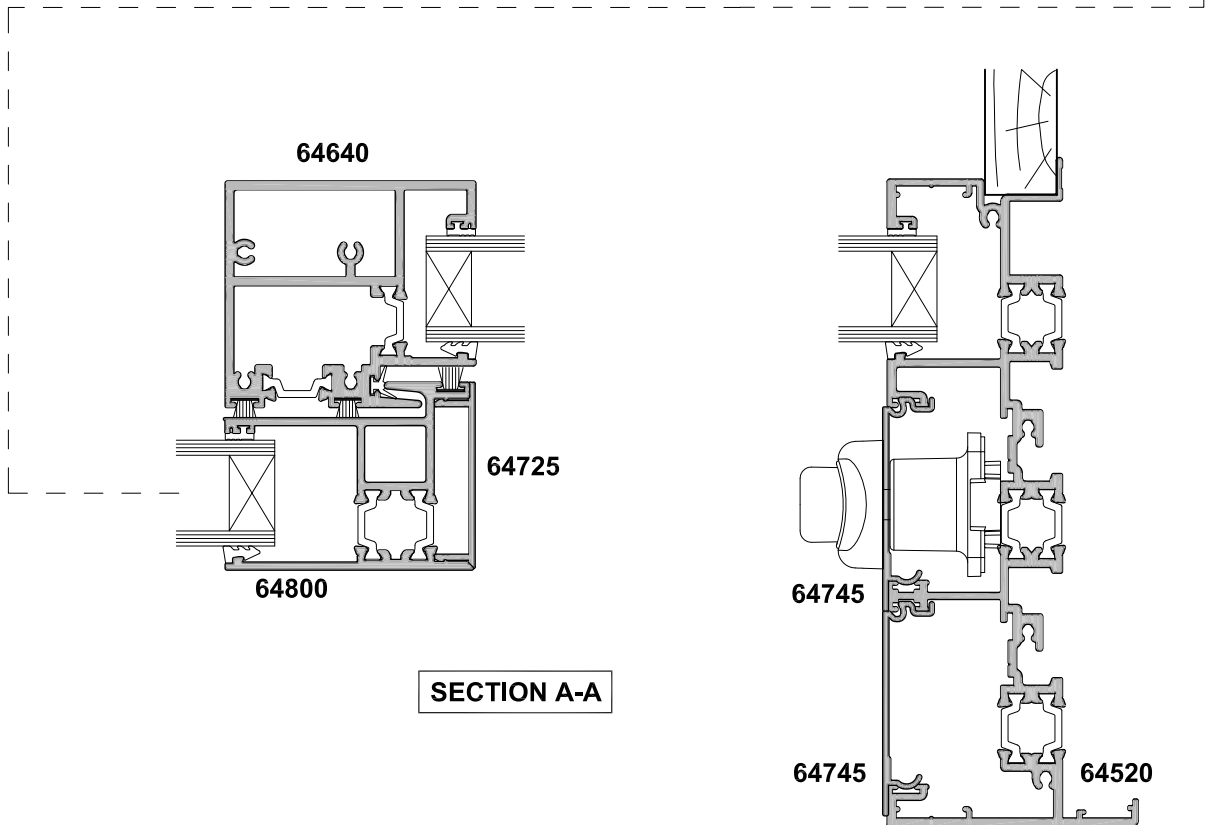
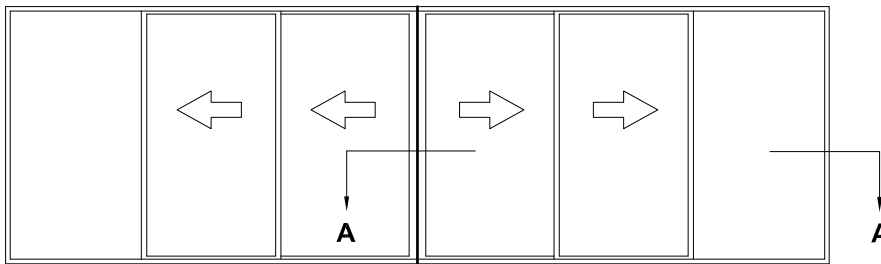
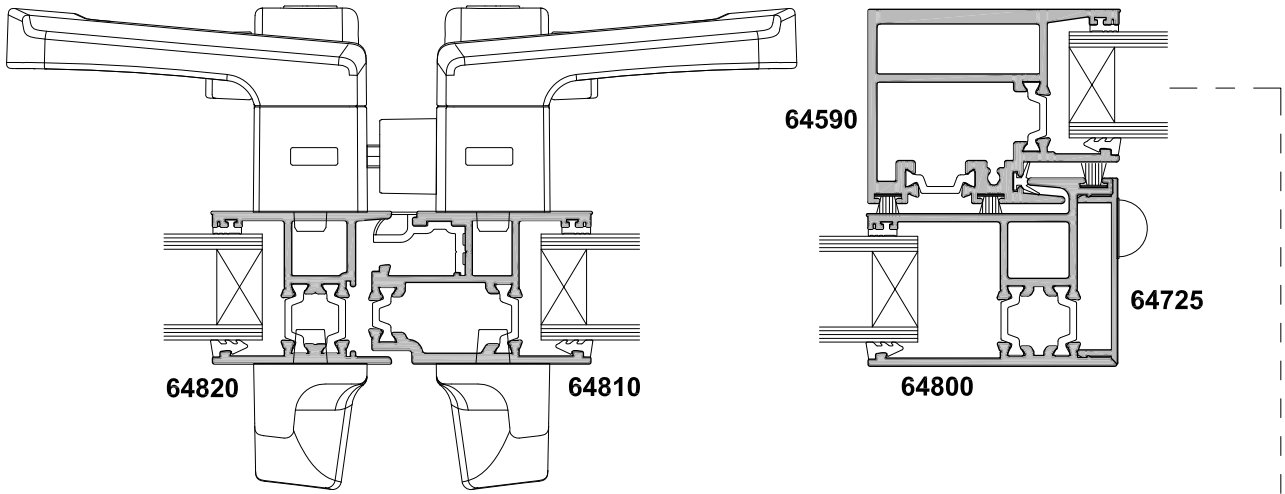




METRO SERIES THERMAL HEART, SLIDING WINDOW SIX PANEL FSSSSF

CROSS SECTION

Cad Ref. ATSW08-0 Scale 1:2 Date 01.04.15

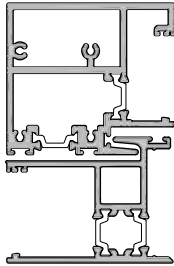
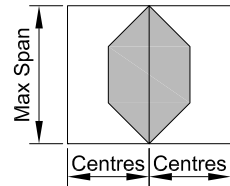


METRO SERIES THERMAL HEART SLIDING DOOR

SPAN TABLES

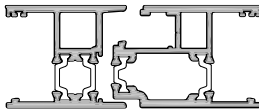
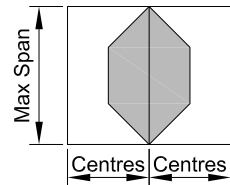
Cad Ref. ATSW09-0 Scale NTS Date 01.04.15

Extrusion: 64640 / 64800 Description: Interlocker Mullion & Stile



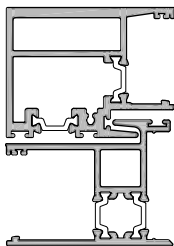
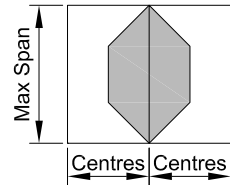
Centres	Spans for each wind zone				
	Low	Medium	High	Very High	Extra High
1000	2553	2330	2083	1925	1814
1200	2433	2225	1997	1851	1749
1400	2348	2154	1941	1806	1702
1600	2290	2108	1909	1783	1678
1800	2252	2081	1895	1777	1676
2000	2231	2070	1893	1777	1676
2100	2226	2069	1893	1777	1676
2200	2223	2069	1893	1777	1676
2300	2223	2069	1893	1777	1676
2400	2223	2069	1893	1777	1676
2500	2223	2069	1893	1777	1676

Extrusion: 64820 / 64810 Description: Four Panel Closers



Centres	Spans for each wind zone				
	Low	Medium	High	Very High	Extra High
1000	2118	1936	1736	1608	1519
1200	2029	1861	1677	1560	1478
1400	1972	1816	1645	1537	1462
1600	1937	1792	1634	1534	1462
1800	1921	1786	1634	1534	1462
2000	1919	1786	1634	1534	1462
2100	1919	1786	1634	1534	1462
2200	1919	1786	1634	1534	1462
2300	1919	1786	1634	1534	1462
2400	1919	1786	1634	1534	1462
2500	1919	1786	1634	1534	1462

Extrusion: 64590 / 64800 Description: Reverse Interlocker & Stile



Centres	Spans for each wind zone				
	Low	Medium	High	Very High	Extra High
1000	2420	2210	1978	1828	1725
1200	2310	2115	1900	1762	1666
1400	2235	2050	1851	1724	1635
1600	2181	2011	1825	1707	1624
1800	2150	1990	1816	1704	1624
2000	2135	1985	1815	1704	1624
2100	2132	1985	1815	1704	1624
2200	2132	1985	1815	1704	1624
2300	2132	1985	1815	1704	1624
2400	2132	1985	1815	1704	1624
2500	2132	1985	1815	1704	1624

Spans are the maximum calculated allowable, based on NZS4211:2008, which requires that the member deflection at serviceability wind pressure (SWP) shall not exceed 1/200 of the span. Hardware and componentry may further restrict the spans. For advice we recommend you contact APL Technical Advisory Service