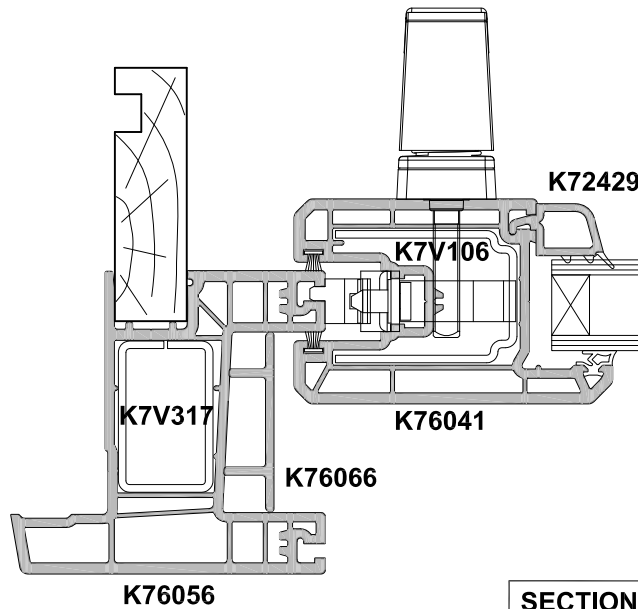
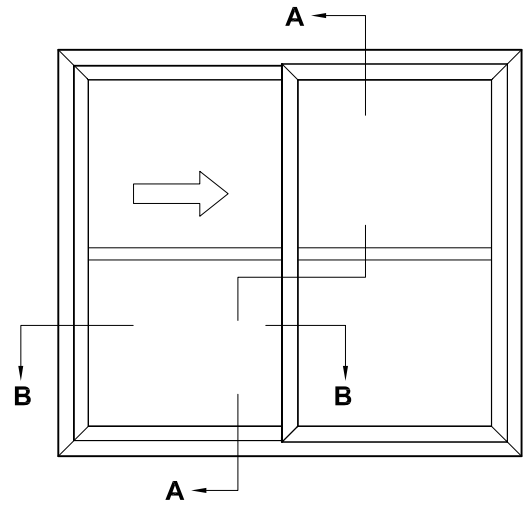
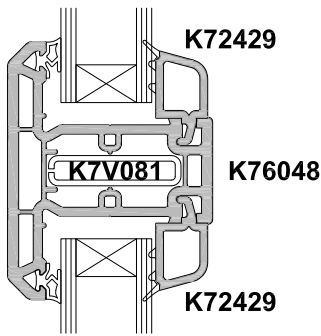
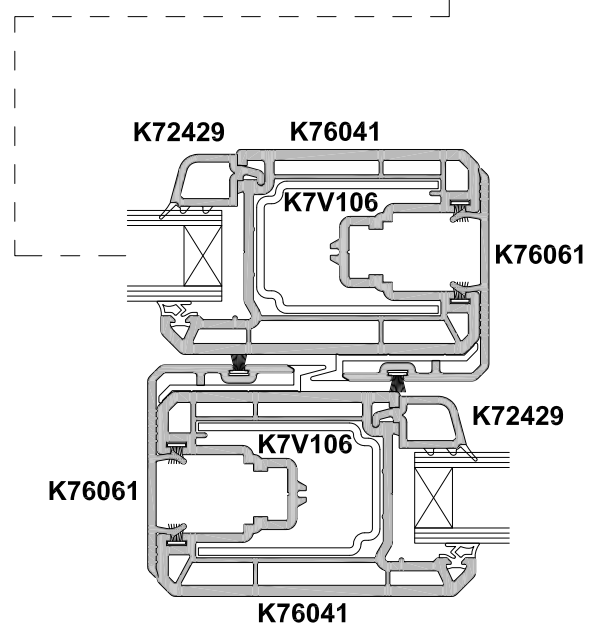
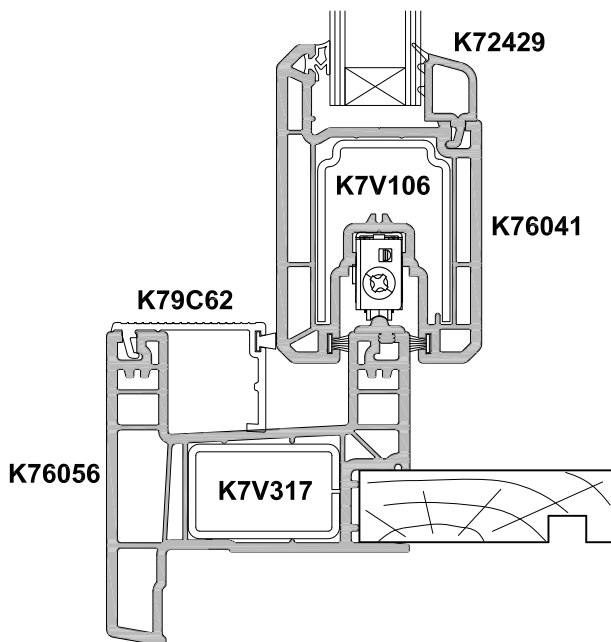


SECTION A-A

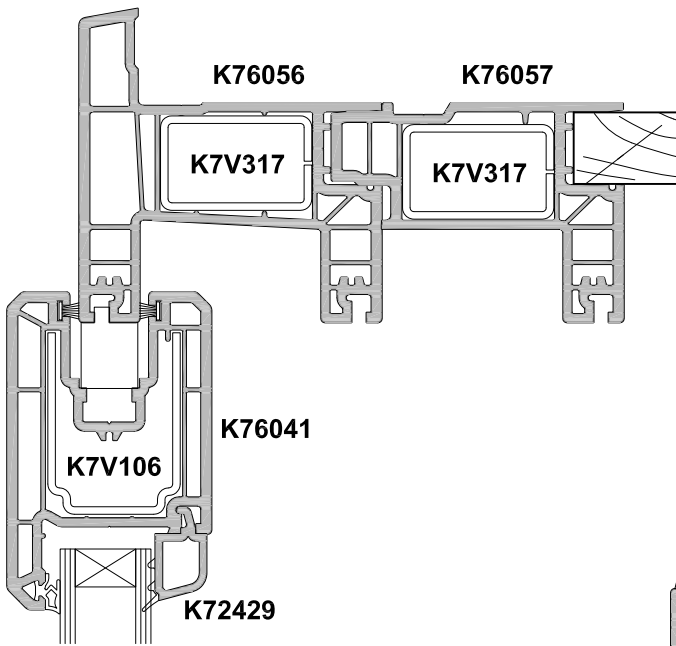
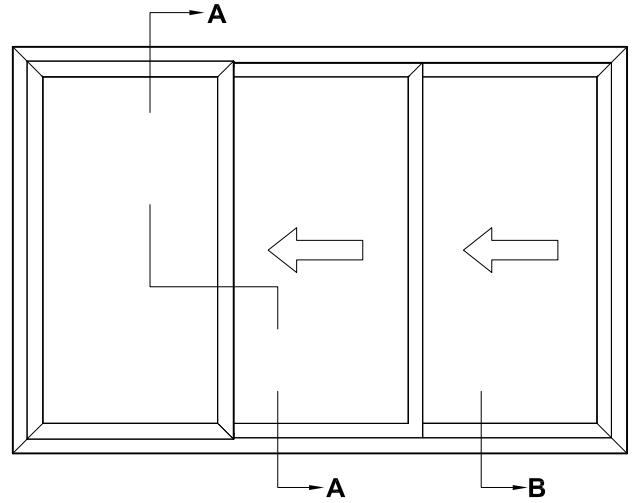


SECTION B-B

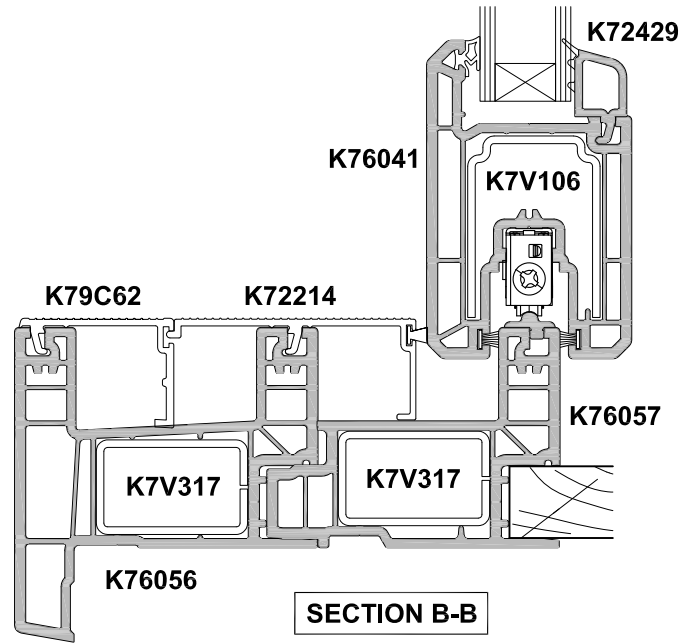


**KLIMA SERIES, SLIDING DOOR  
THREE PANELS FSS, VERTICAL DETAILS  
CROSS SECTION**

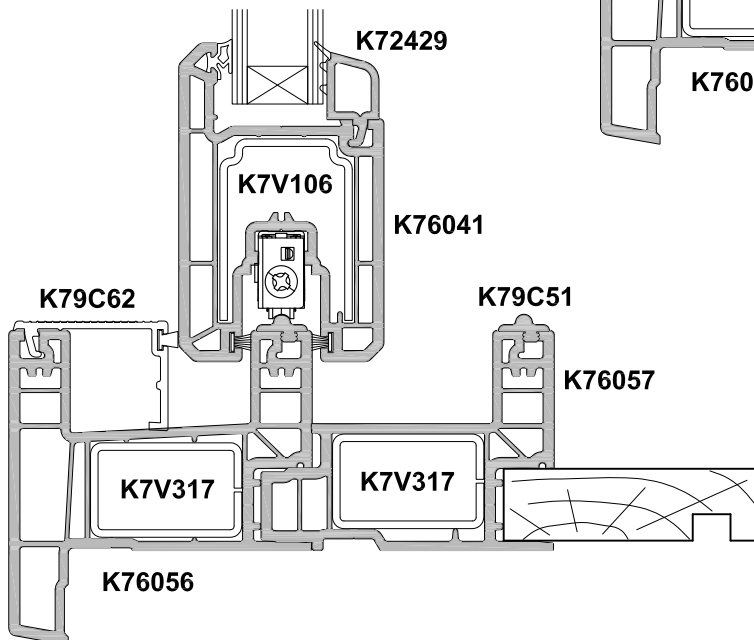
Cad Ref. AKSD03-0    Scale 1:2    Date 01.01.17



**SECTION A-A**

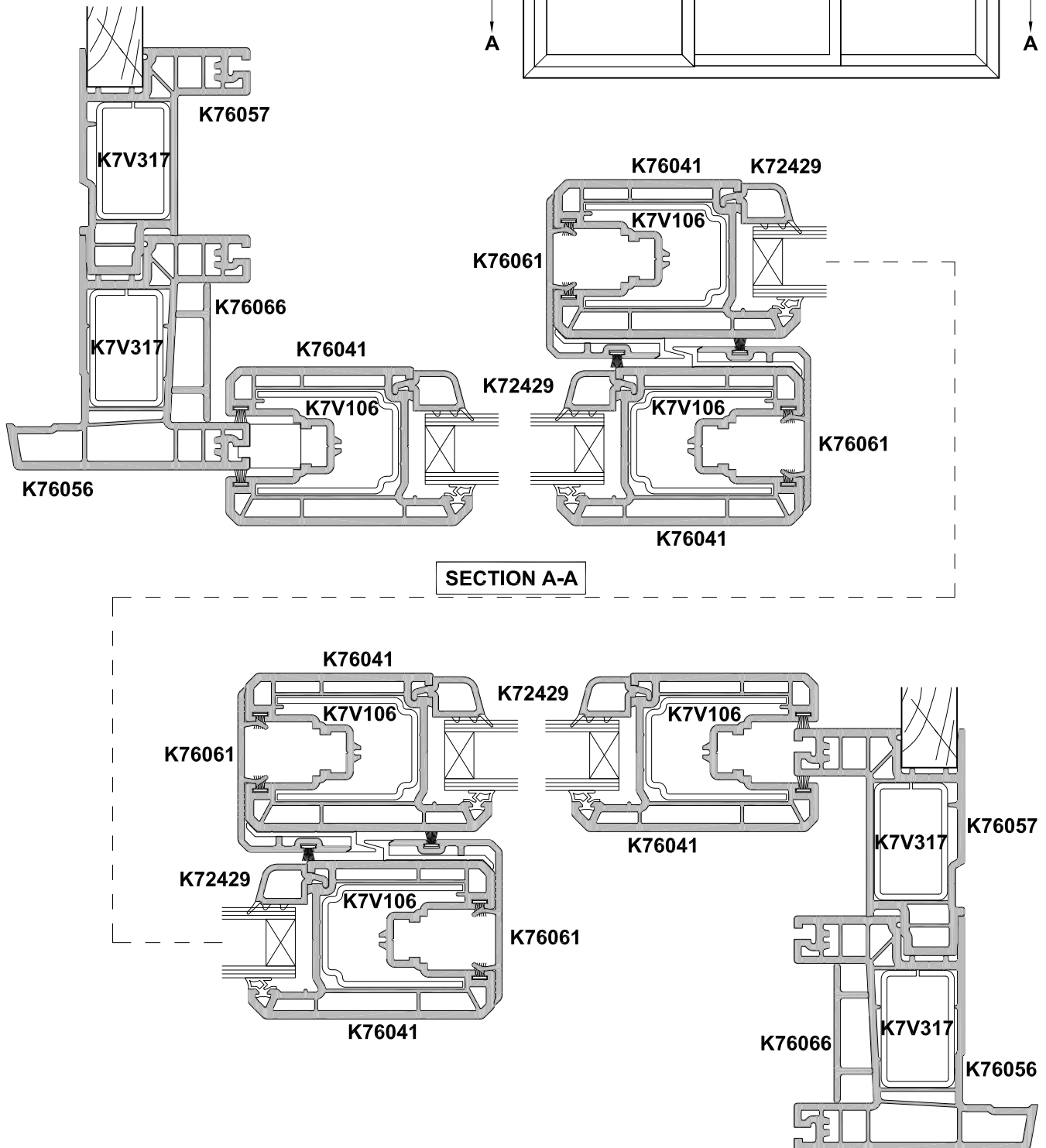
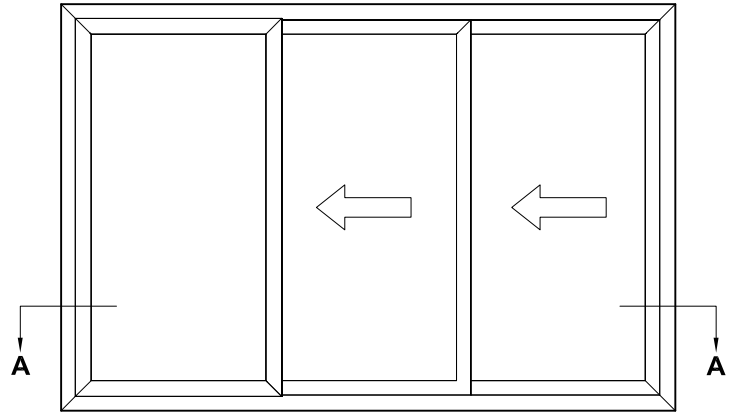


**SECTION B-B**



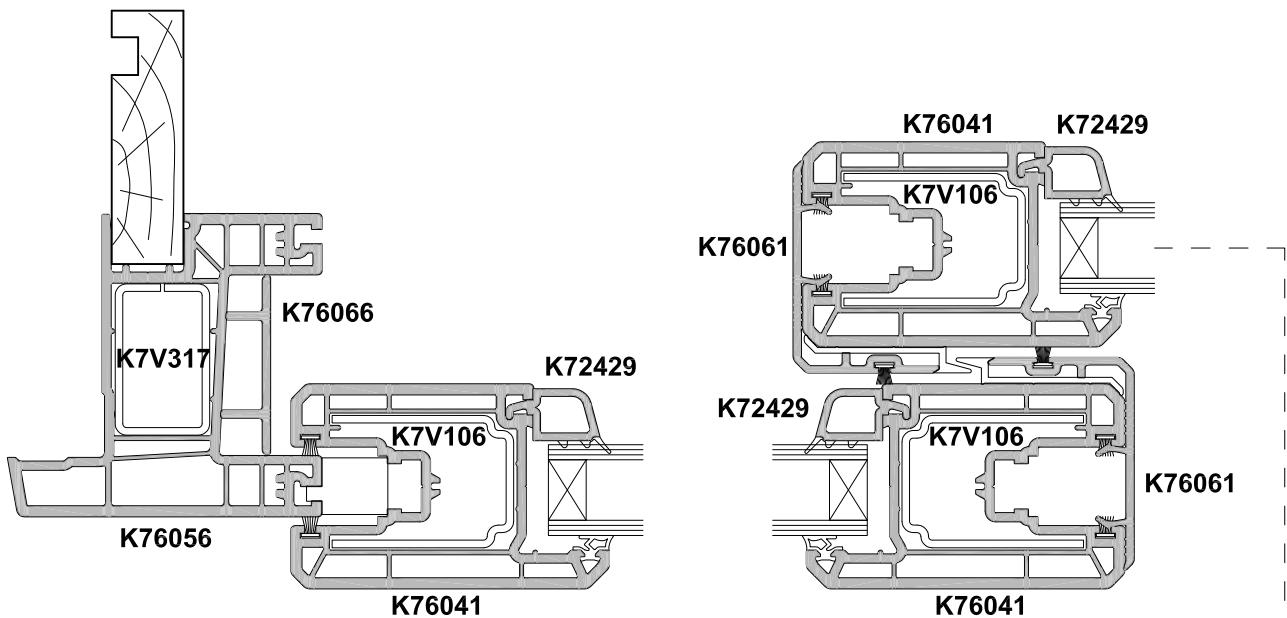
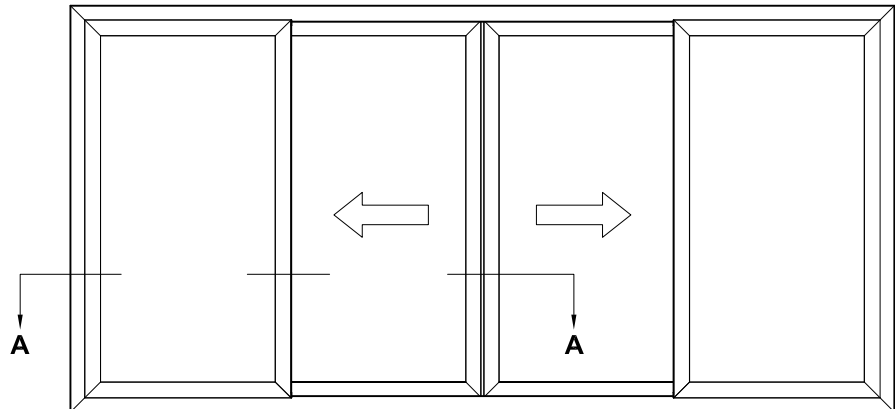
# KLIMA SERIES, SLIDING DOOR THREE PANELS FSS, HORIZONTAL DETAILS CROSS SECTION

Cad Ref. AKSD04-0    Scale 1:2    Date 01.01.17

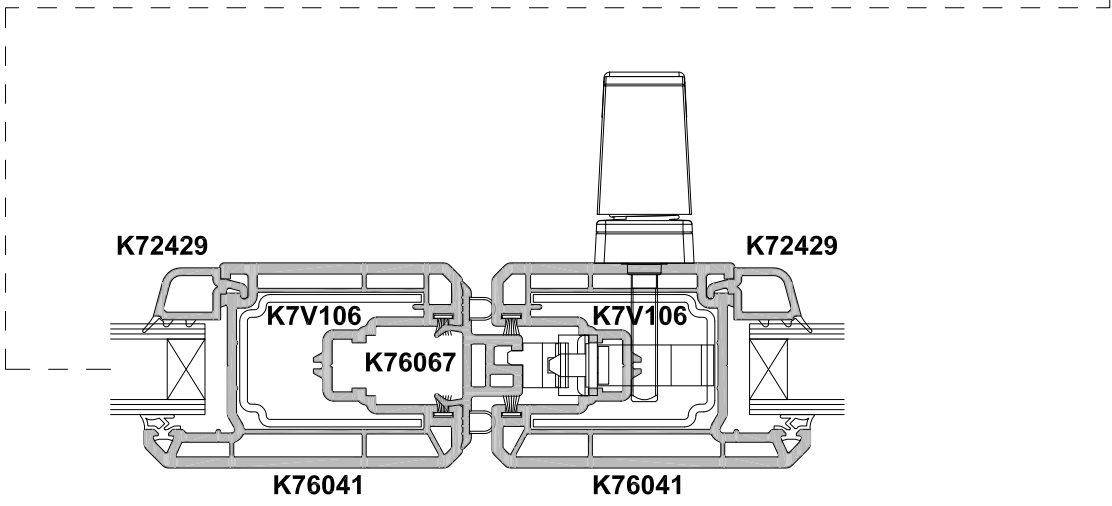


# KLIMA SERIES, SLIDING DOOR FOUR PANELS BI-PART FSSF, HORIZONTAL DETAILS CROSS SECTION

Cad Ref. AKSD05-0    Scale 1:2    Date 01.01.17

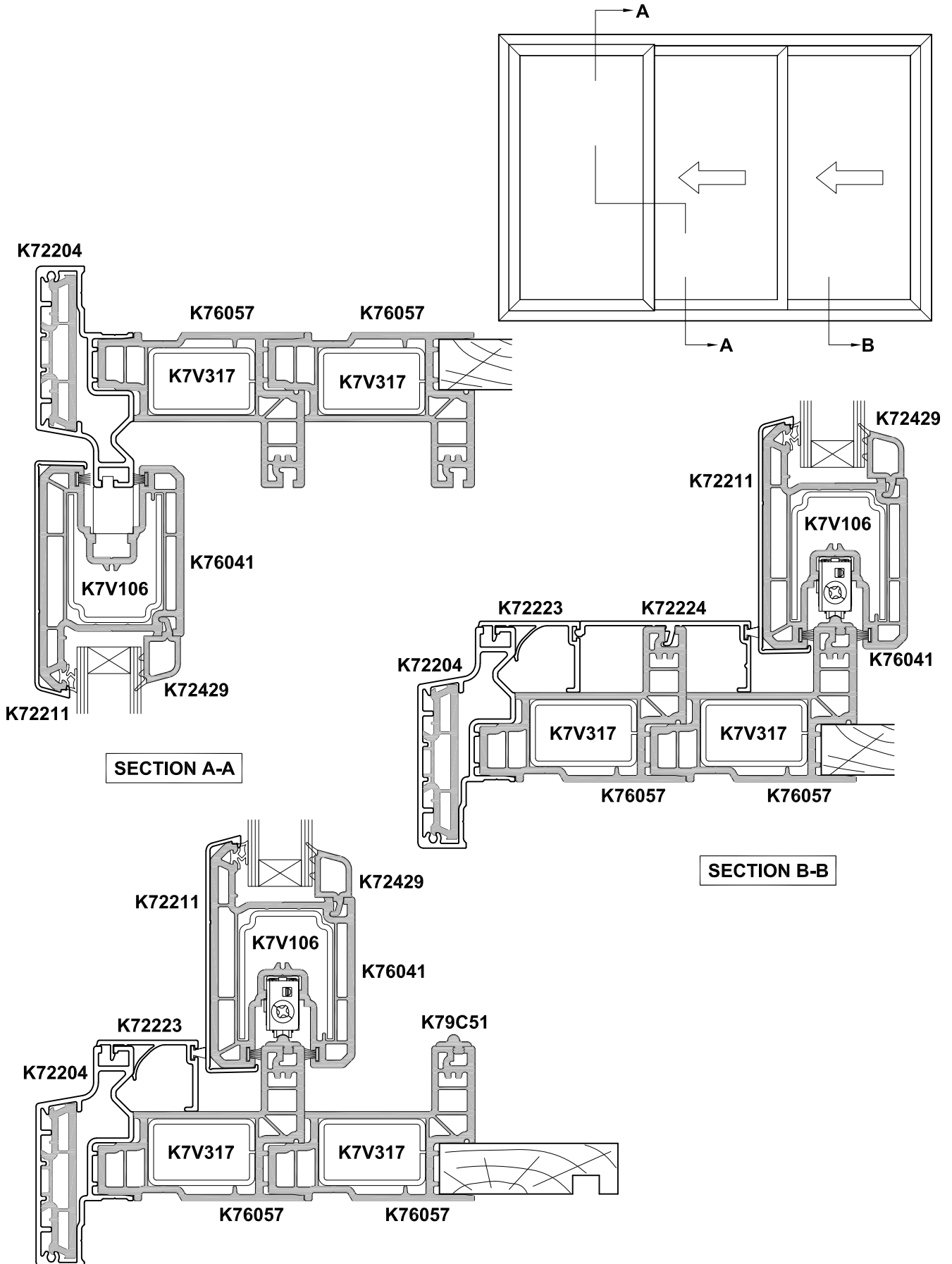


**SECTION A-A**



# KLIMA SERIES ALUCLIP, SLIDING DOOR THREE PANELS FSS, VERTICAL DETAILS CROSS SECTION

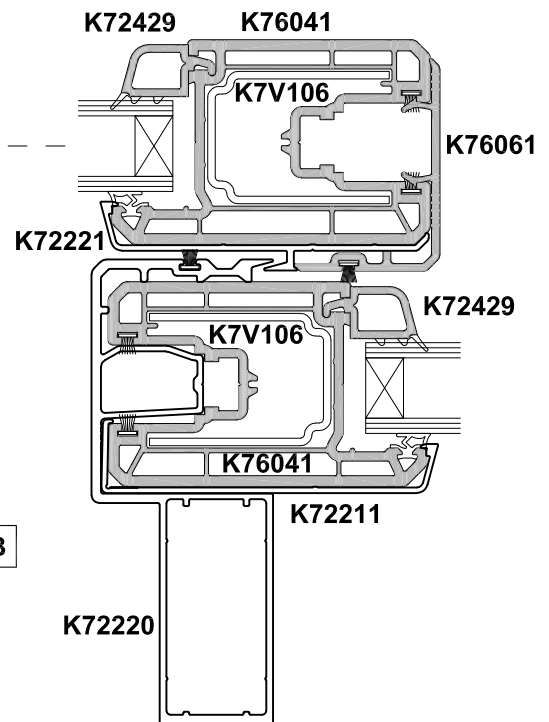
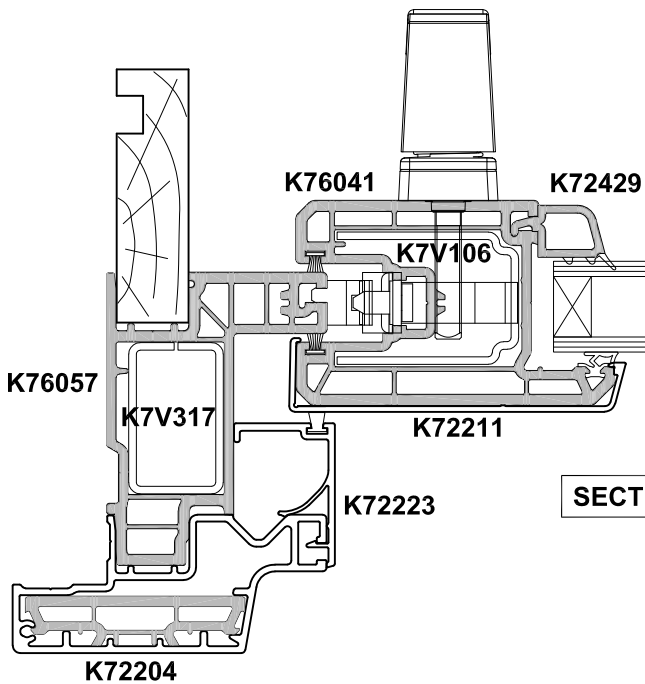
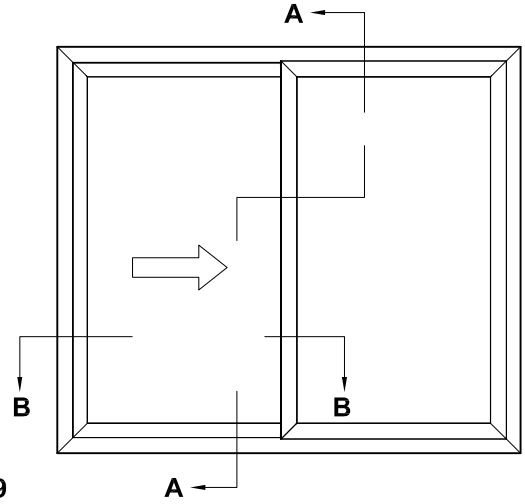
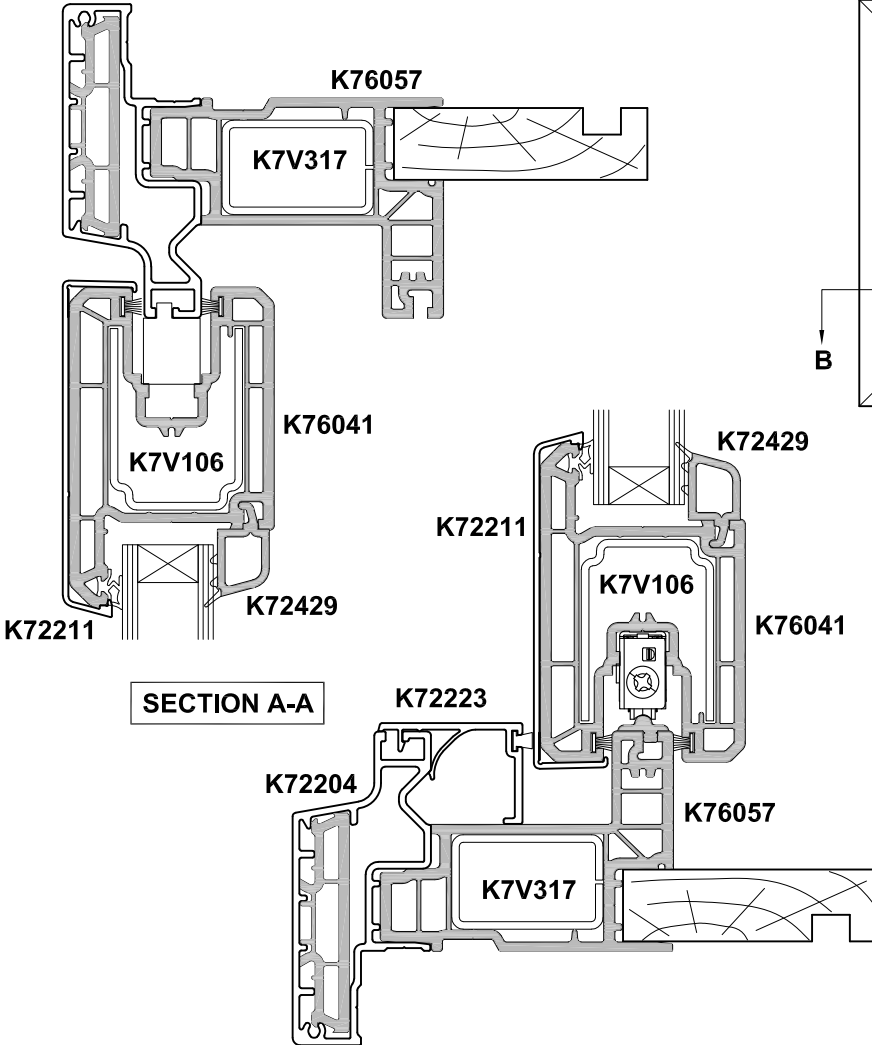
Cad Ref. AKSD06-0    Scale 1:2    Date 01.06.20



# KLIMA SERIES ALUCLIP, SLIDING DOOR TWO PANELS SF CROSS SECTION

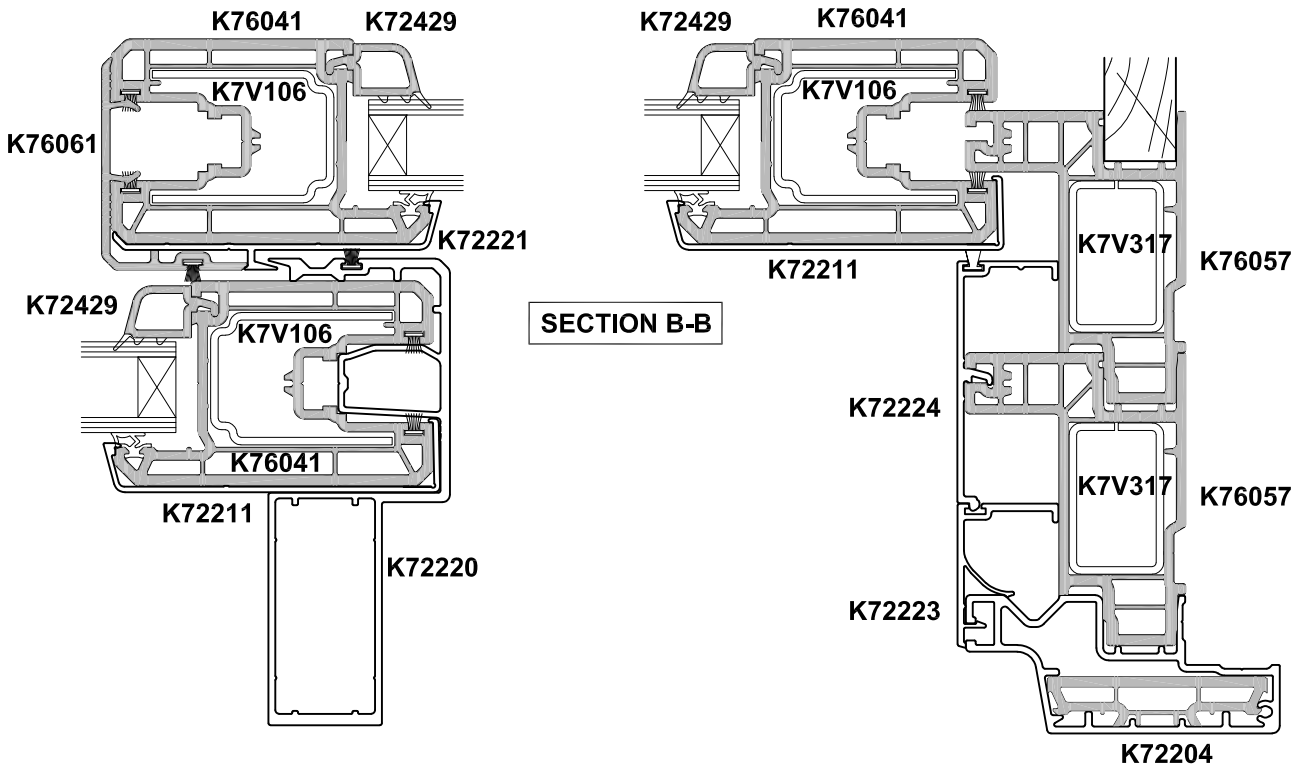
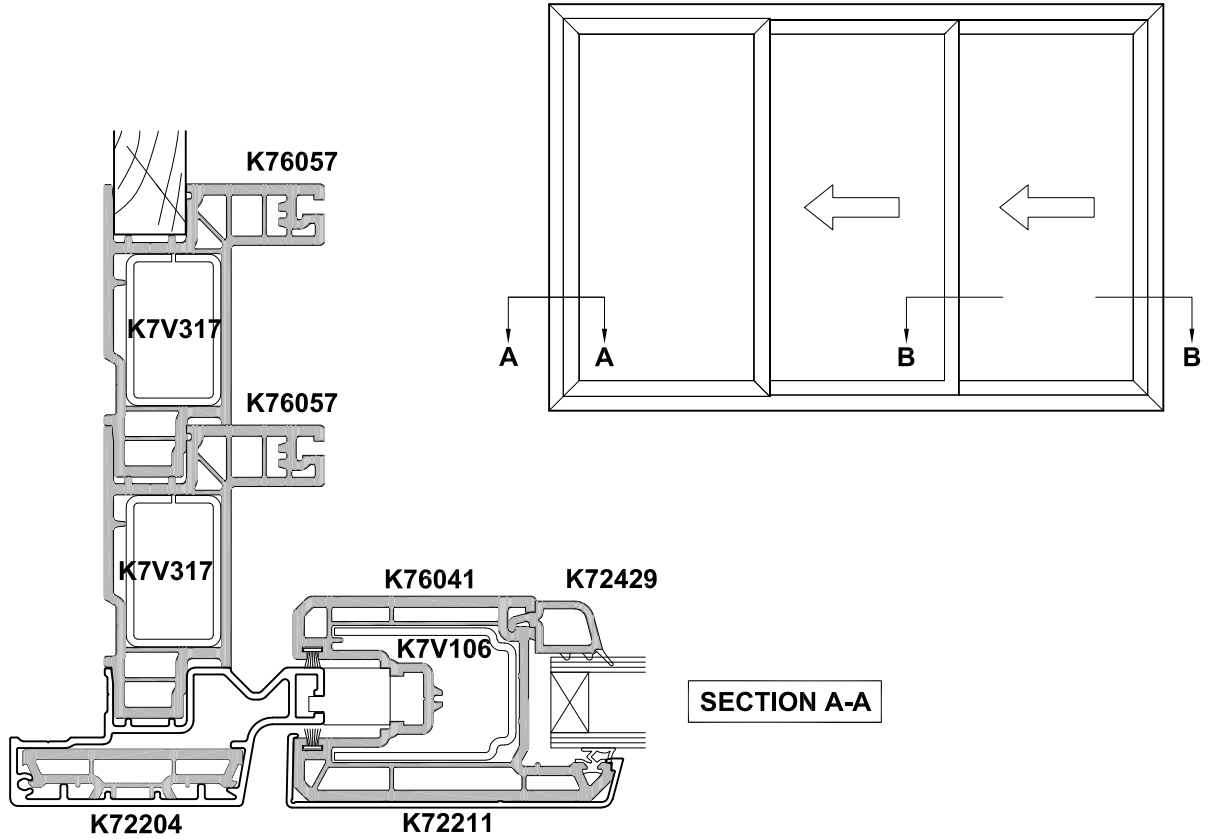
Cad Ref. AKSD07-0    Scale 1:2    Date 01.06.20

K72204



# KLIMA SERIES ALUCLIP, SLIDING DOOR THREE PANELS FSS, HORIZONTAL DETAILS CROSS SECTION

Cad Ref. AKSD08-0    Scale 1:2    Date 01.06.20



# KLIMA SERIES ALUCLIP, SLIDING DOOR FOUR PANELS BI-PART FSSF, HORIZONTAL DETAILS CROSS SECTION

Cad Ref. AKSD09-0    Scale 1:2    Date 01.06.20

