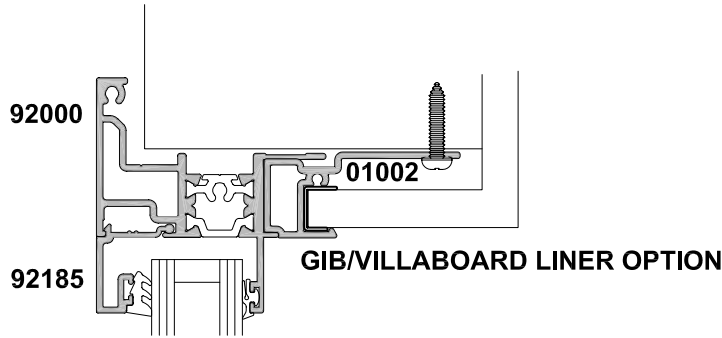


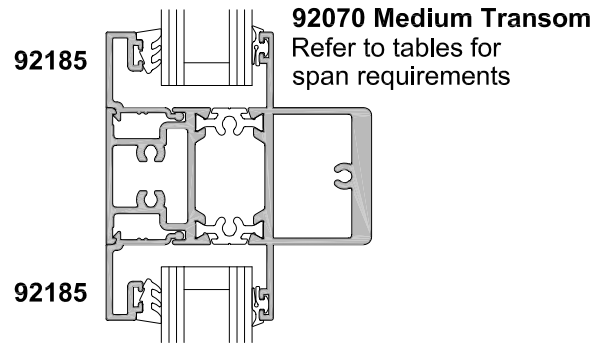
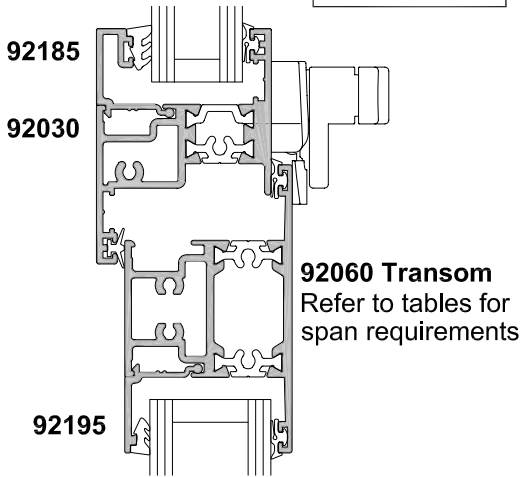
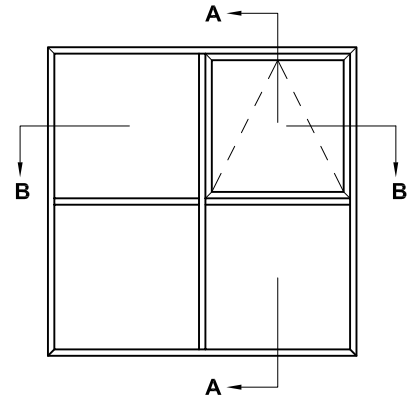
METRO THERMAL HEART, A100MT AWNING WINDOW INTERNAL BOX MULLION / TRANSOM

CROSS SECTION

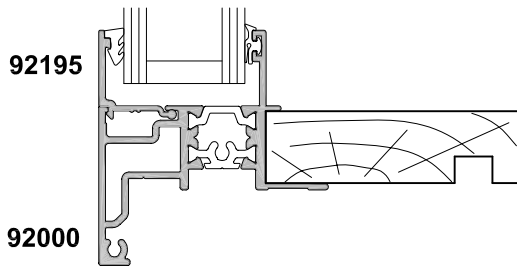
Cad Ref. ATAW01-0 Scale 1:2 Date 01.01.09



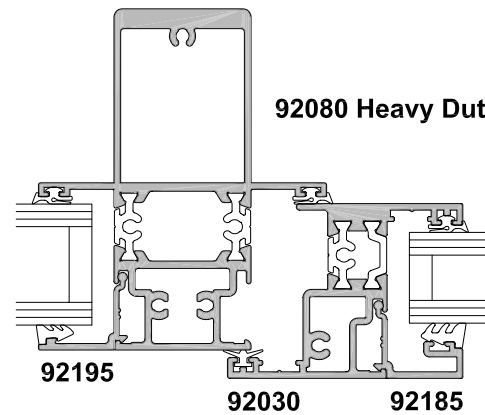
SECTION A-A



MEDIUM TRANSOM OPTION

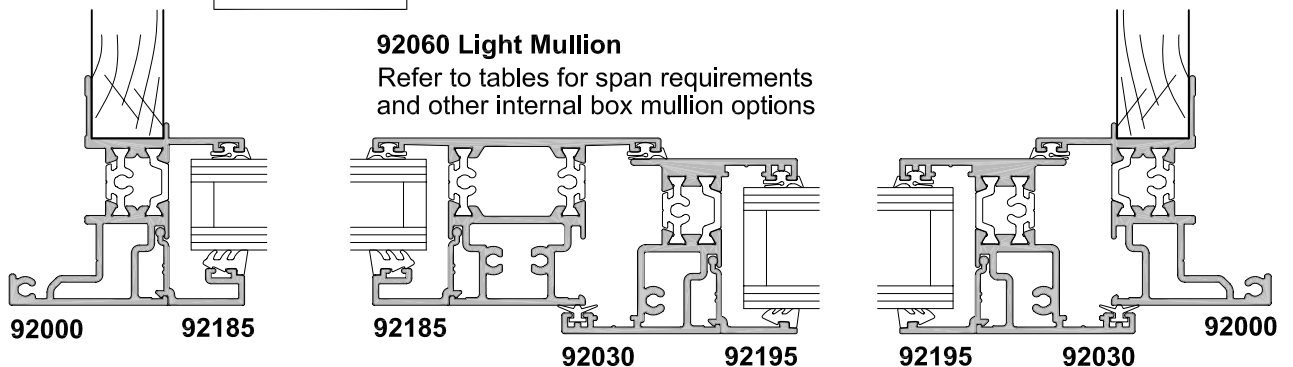


92080 Heavy Duty Mullion



HEAVY DUTY MULLION OPTION

SECTION B-B



METRO THERMAL HEART, A100MT AWNING WINDOW 90° CORNER WINDOW, FACET WINDOW

CROSS SECTION

Cad Ref. ATAW02-0 Scale 1:2 Date 01.01.09

