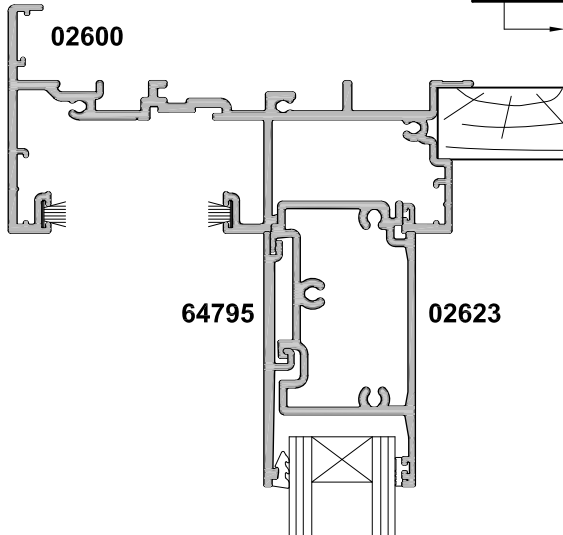
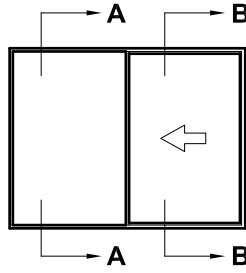
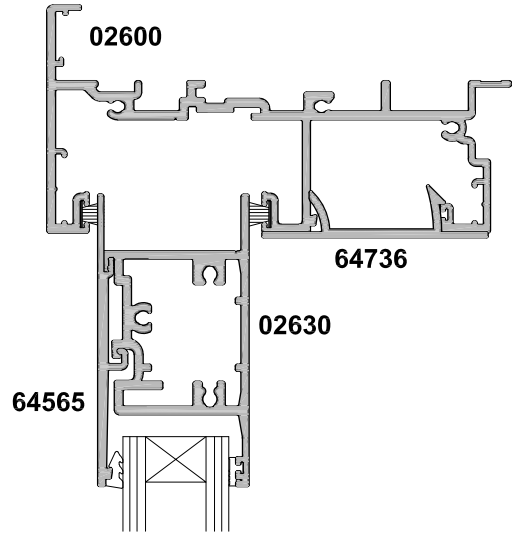


METRO SERIES, SLIDING DOOR TWO PANEL FS CROSS SECTION

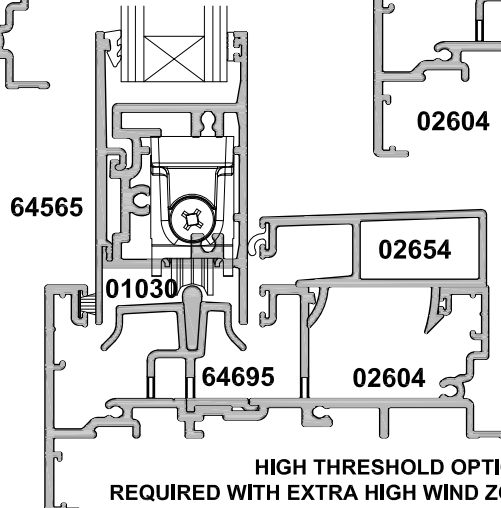
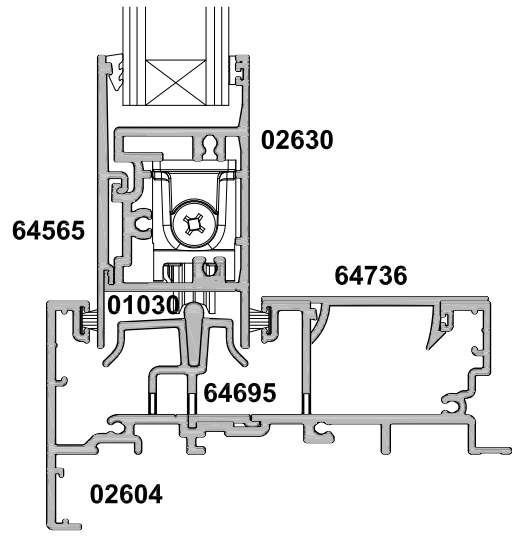
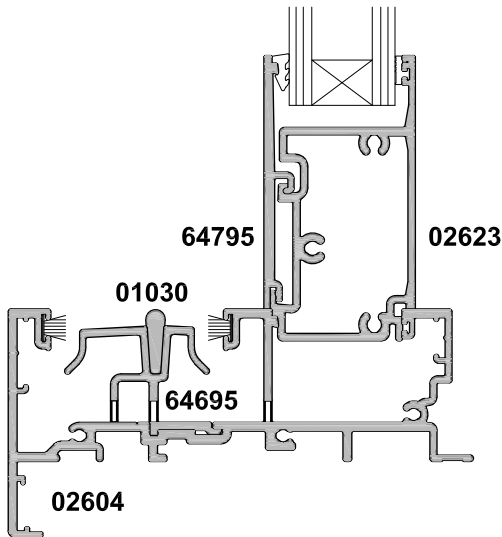
Cad Ref. AMSD02-0 Scale 1:2 Date 29.09.21



SECTION A-A



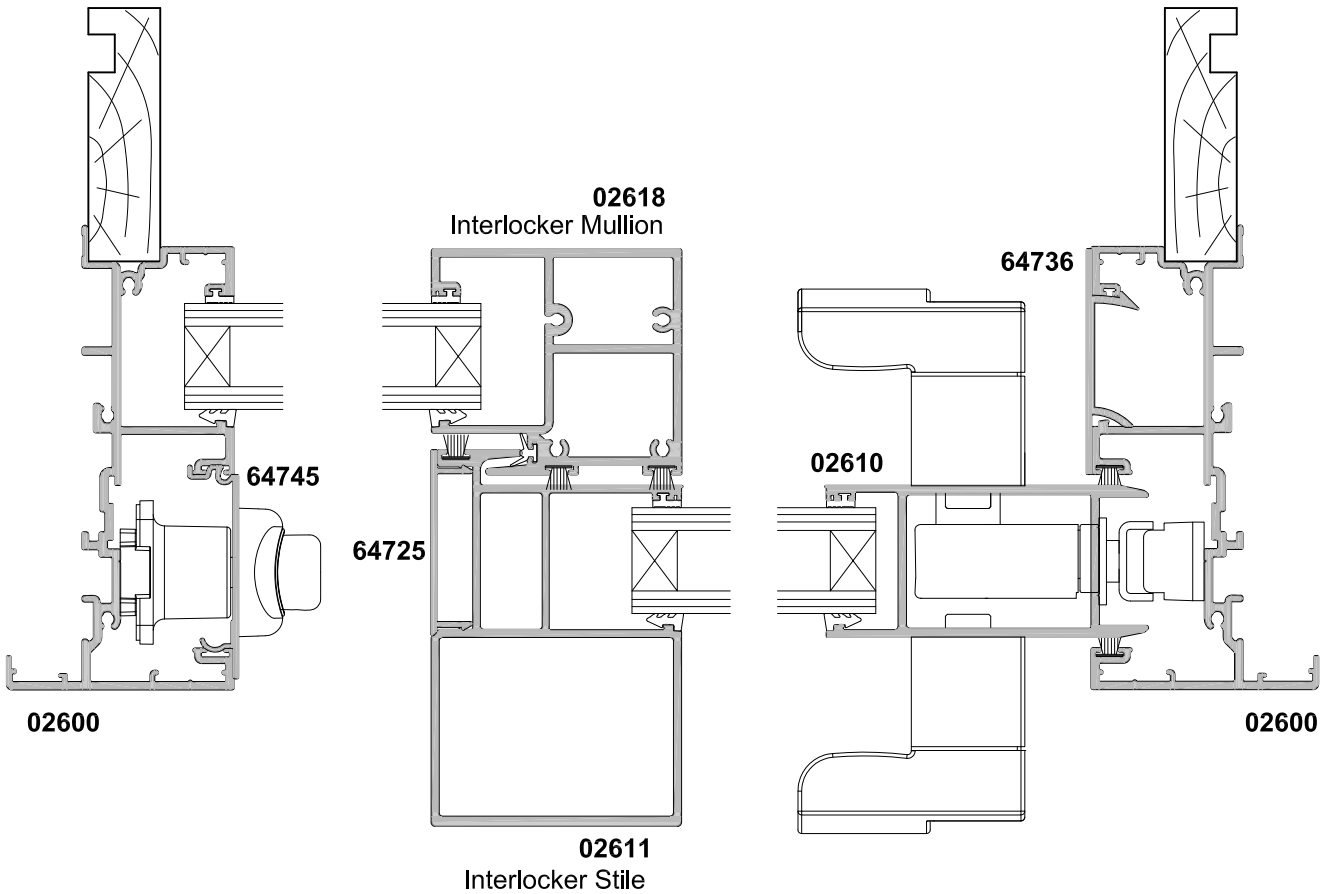
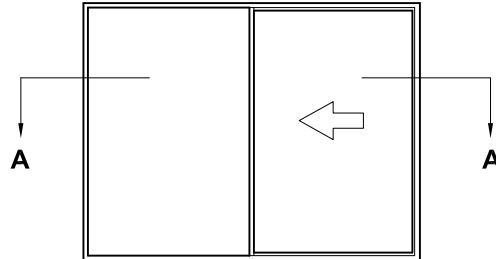
SECTION B-B



**HIGH THRESHOLD OPTION
REQUIRED WITH EXTRA HIGH WIND ZONE AND ABOVE**

METRO SERIES, SLIDING DOOR
TWO PANEL FS
CROSS SECTION

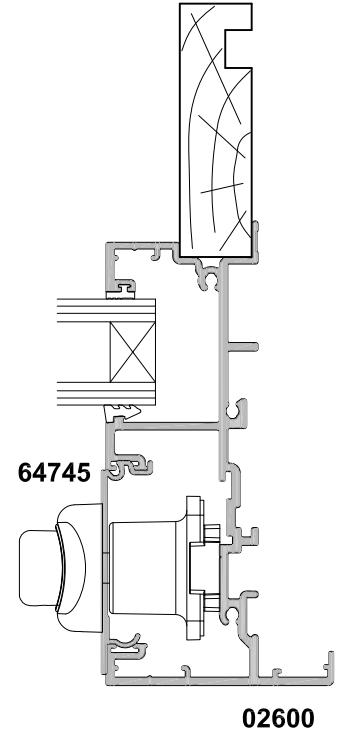
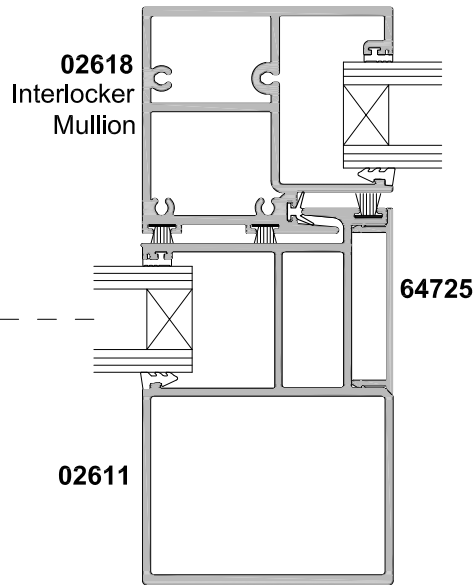
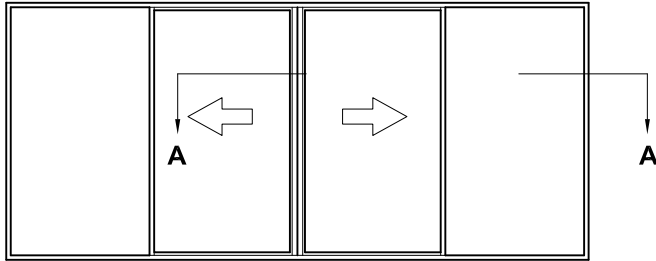
Cad Ref. AMSD03-0 Scale 1:2 Date 01.07.16



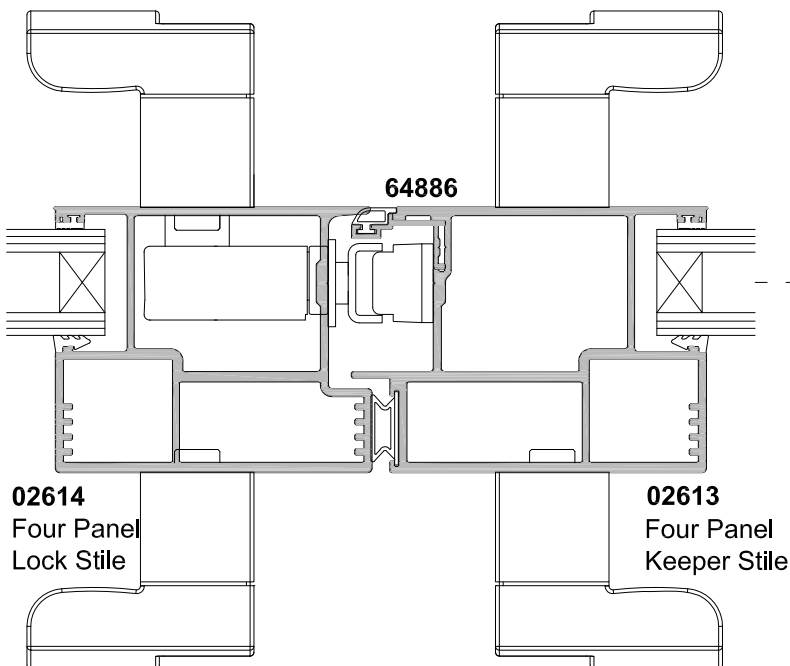
SECTION A-A

METRO SERIES, SLIDING DOOR
FOUR PANEL FSSF
CROSS SECTION

Cad Ref. AMSD04-0 Scale 1:2 Date 01.07.16

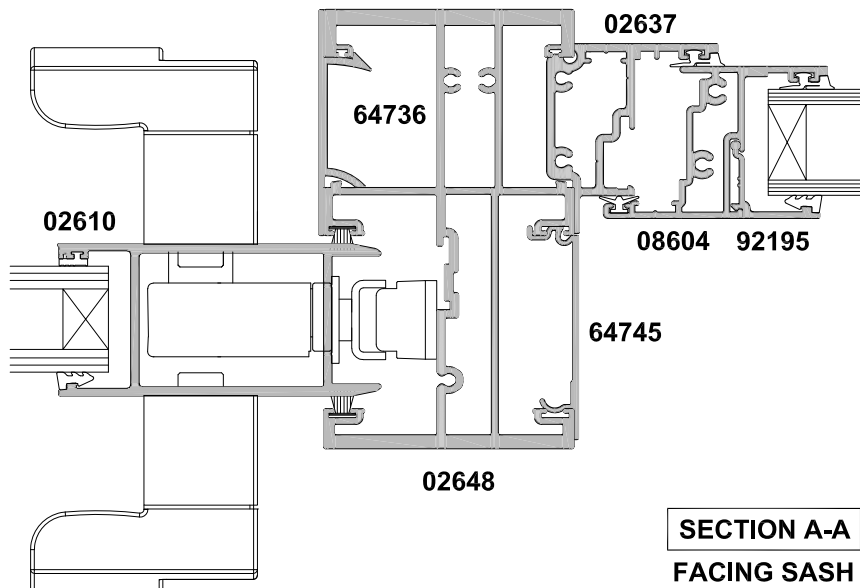
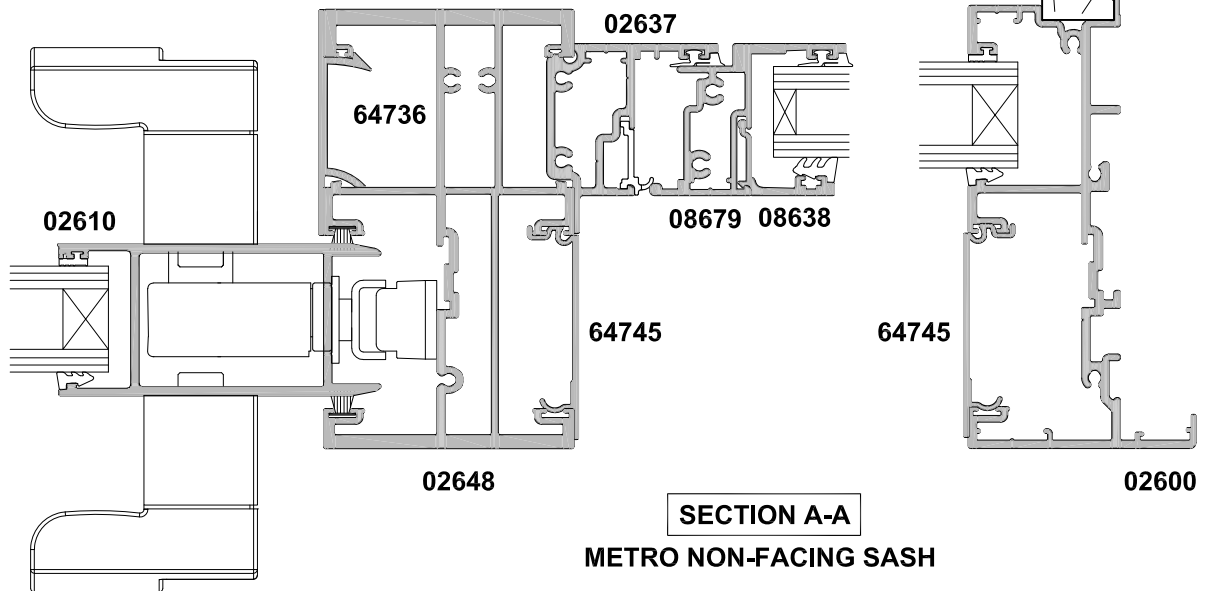
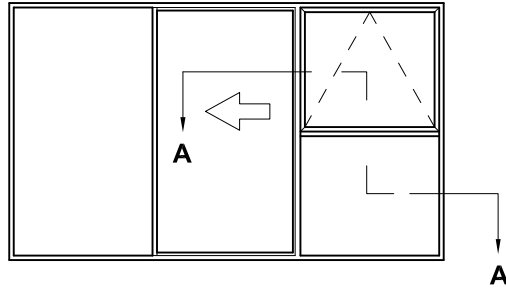


SECTION A-A



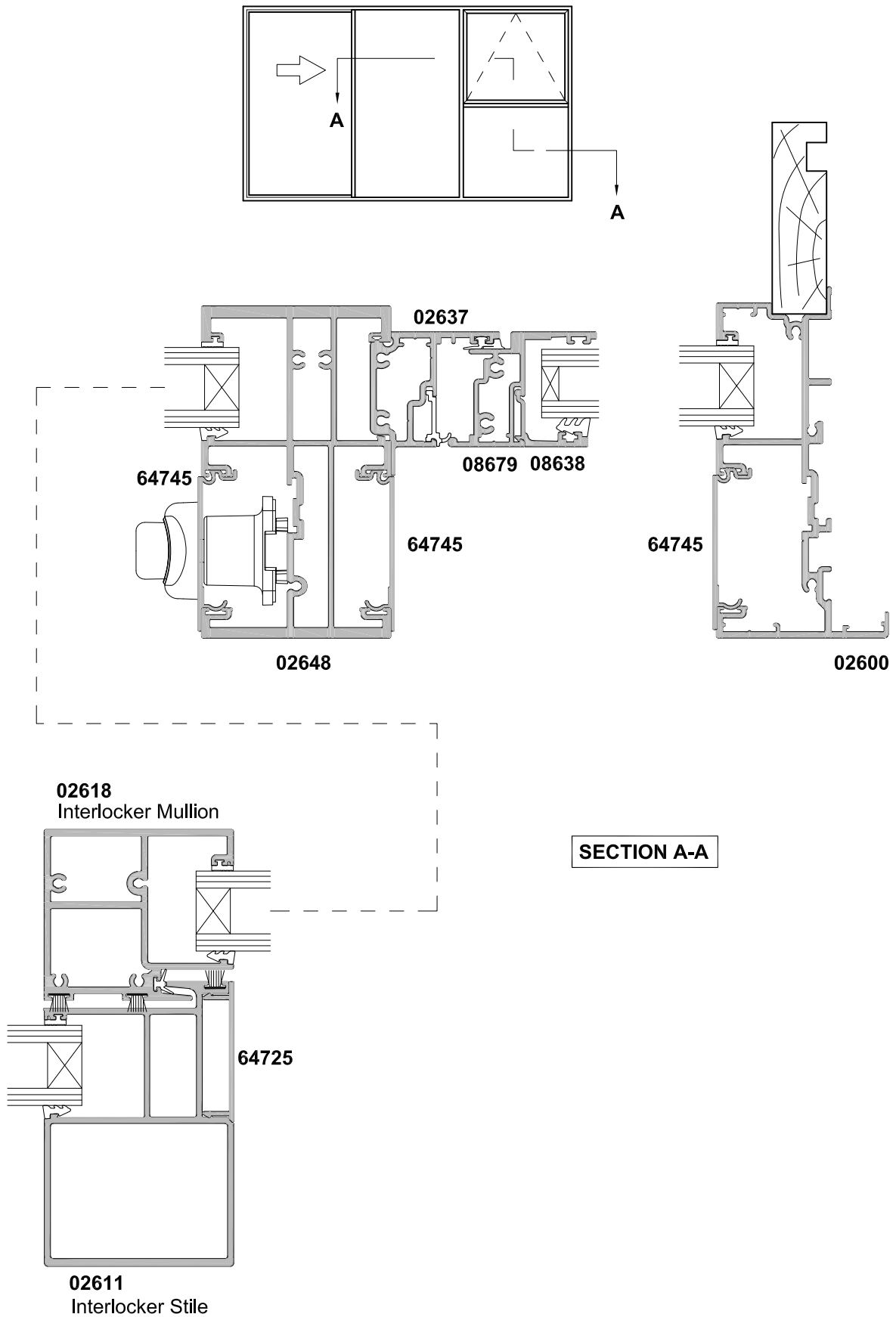
METRO SERIES, SLIDING DOOR THREE PANEL FSF CROSS SECTION

Cad Ref. AMSD05-0 Scale 1:2 Date 18.09.18



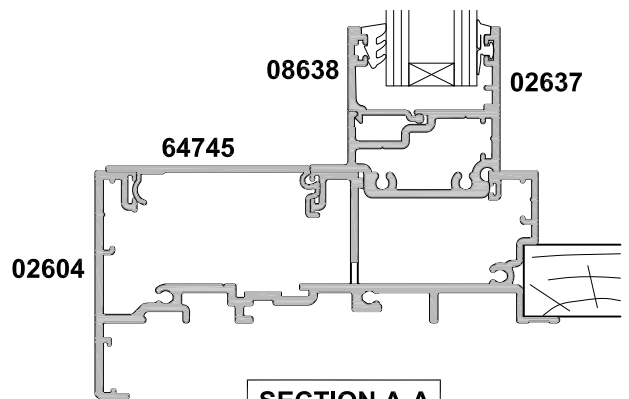
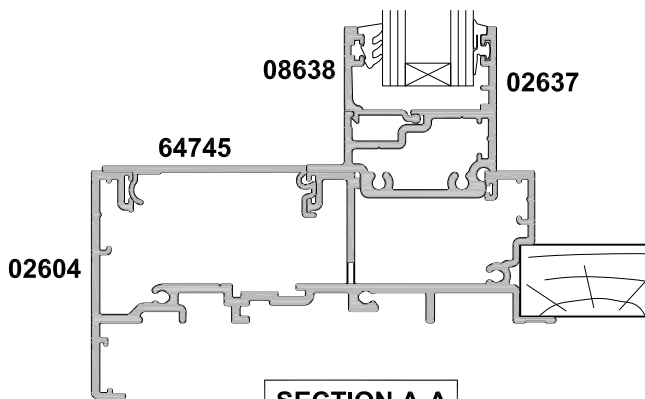
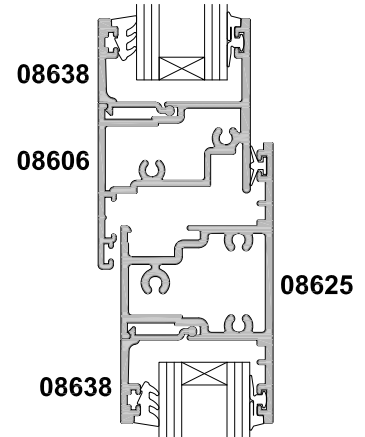
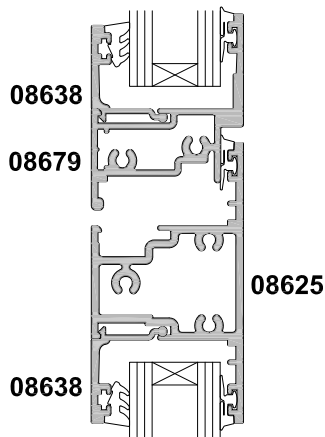
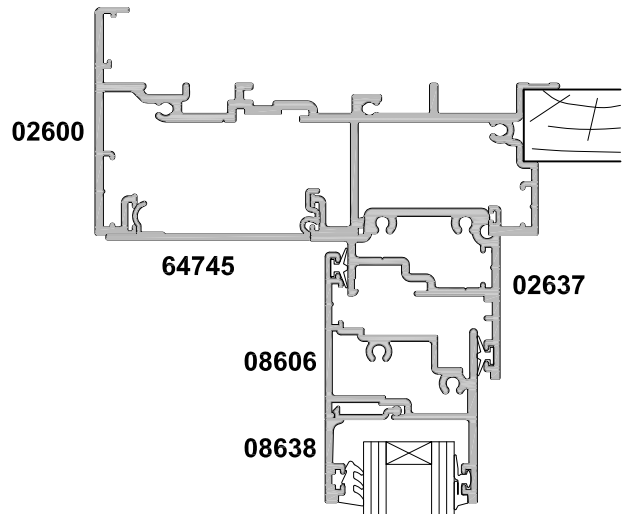
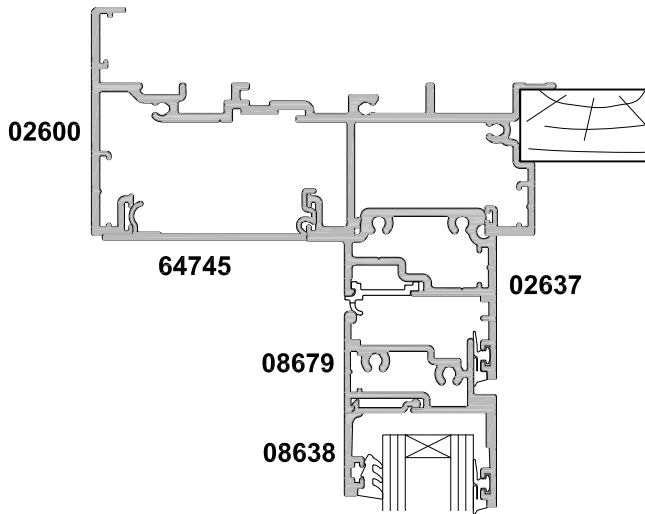
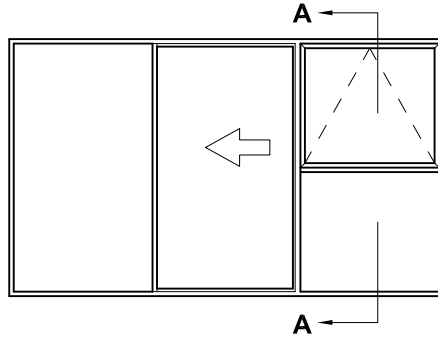
METRO SERIES, SLIDING DOOR THREE PANEL SFF CROSS SECTION

Cad Ref. AMSD06-0 Scale 1:2 Date 18.09.18



METRO SERIES, SLIDING DOOR THREE PANEL FSF CROSS SECTION

Cad Ref. AMSD07-0 Scale 1:2 Date 01.07.16



SECTION A-A

SECTION A-A

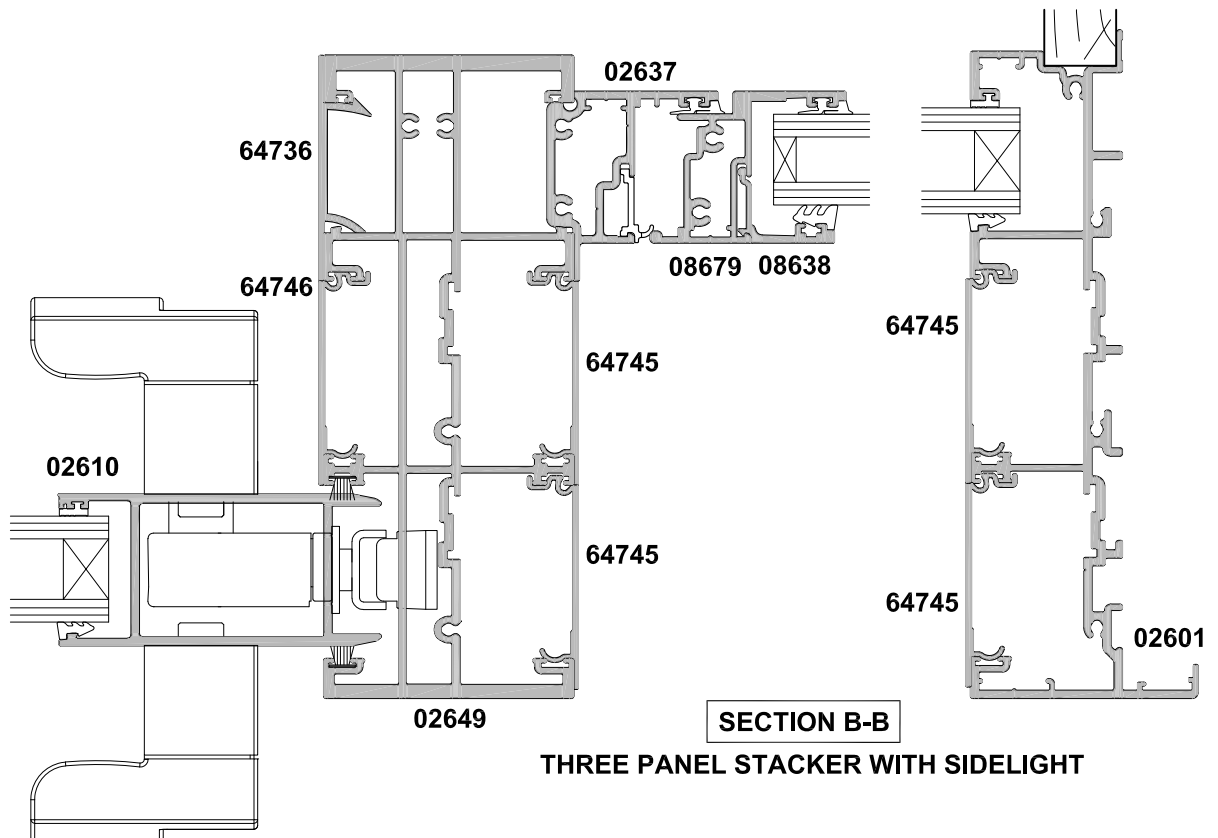
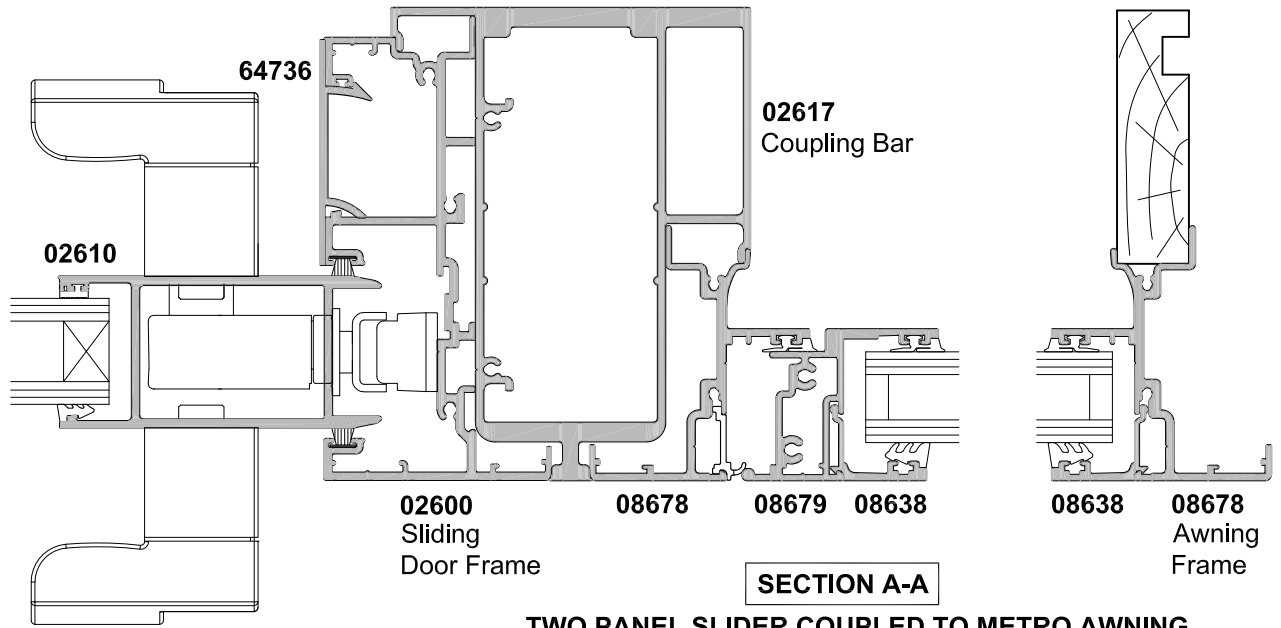
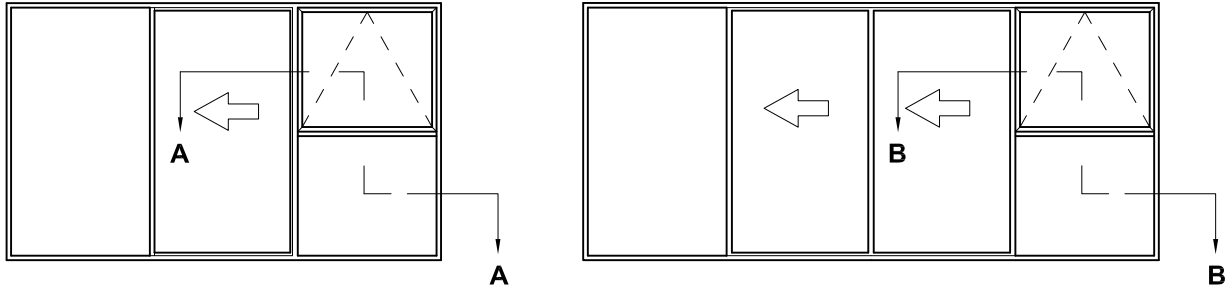
METRO NON-FACING SASH / FIXED LIGHT OPTION

FACING SASH / FIXED LIGHT OPTION

METRO SERIES, SLIDING DOOR SIDELIGHT OPTIONS

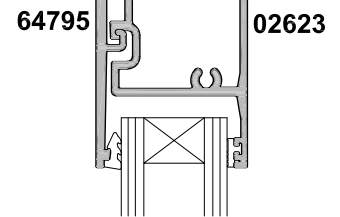
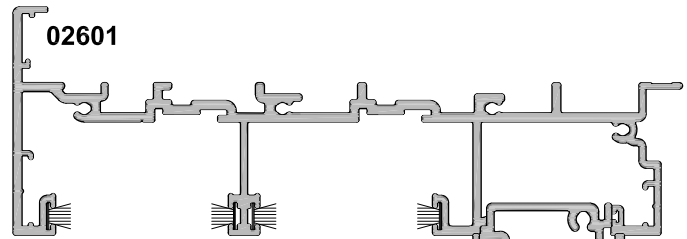
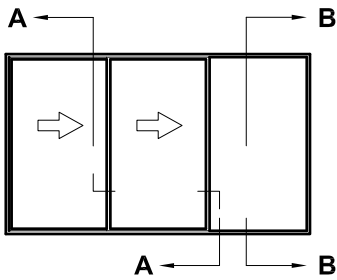
CROSS SECTION

Cad Ref. AMSD08-0 Scale 1:2 Date 18.09.18

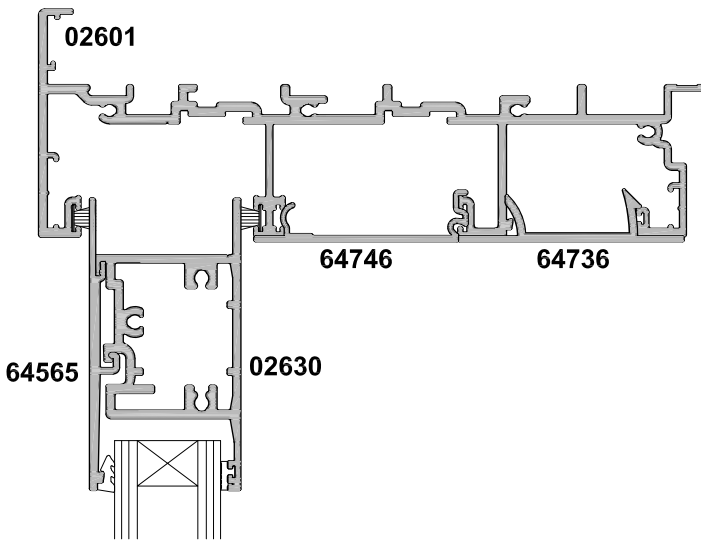


METRO SERIES, SLIDING DOOR THREE PANEL SSF CROSS SECTION

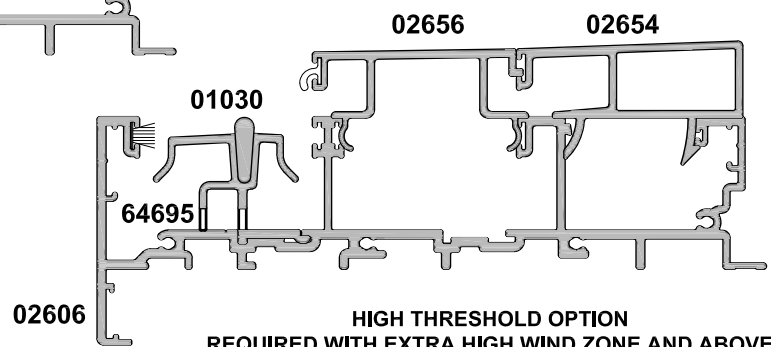
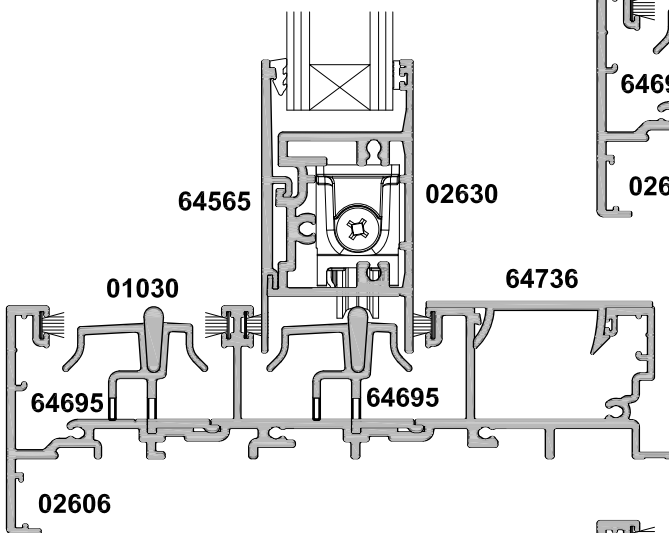
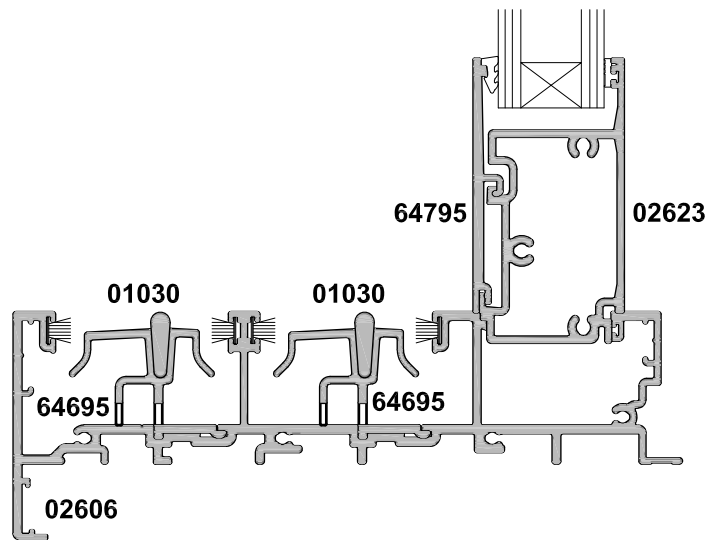
Cad Ref. AMSD09-0 Scale 1:2 Date 29.09.21



SECTION B-B



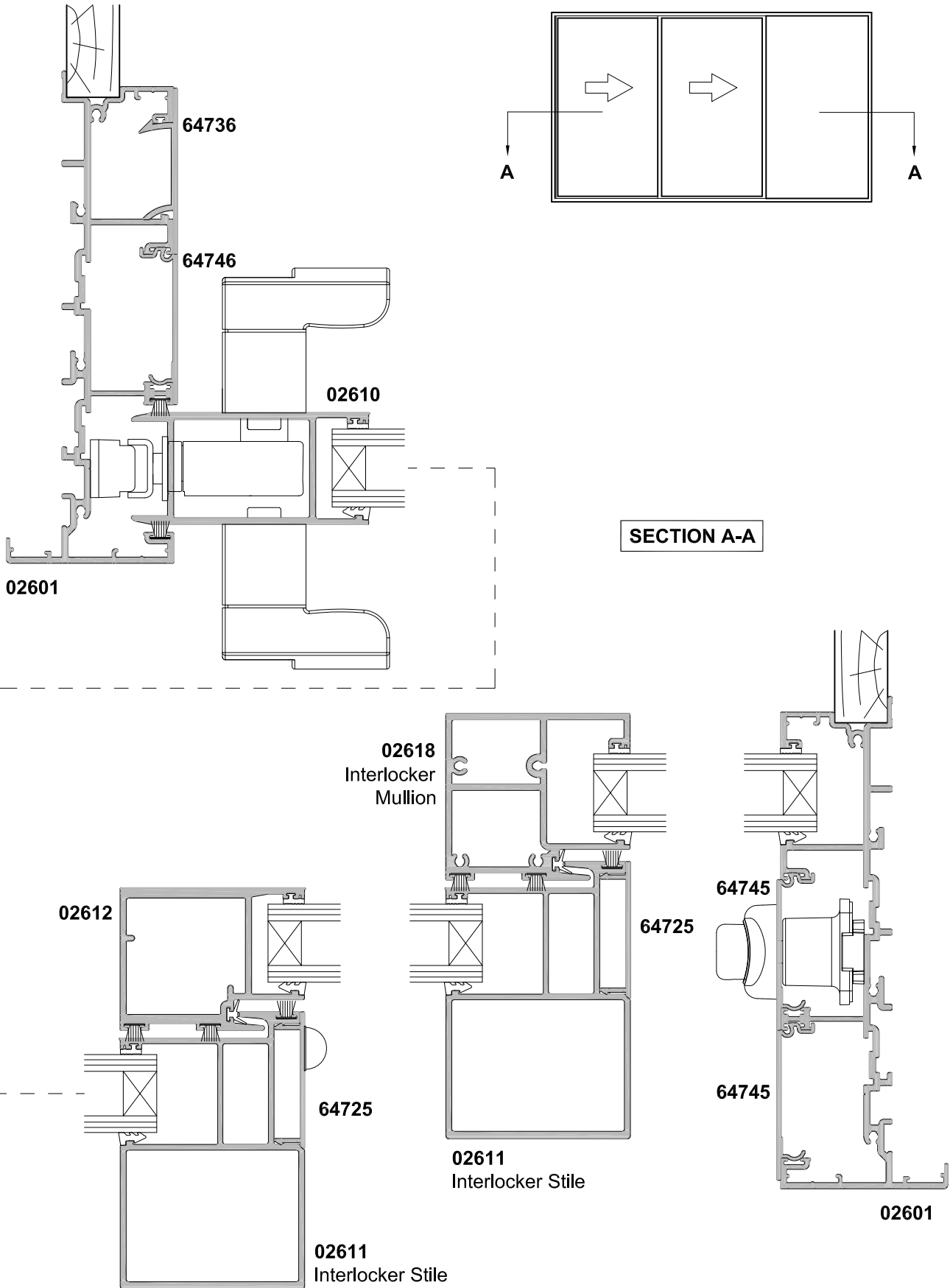
SECTION A-A



**HIGH THRESHOLD OPTION
REQUIRED WITH EXTRA HIGH WIND ZONE AND ABOVE**

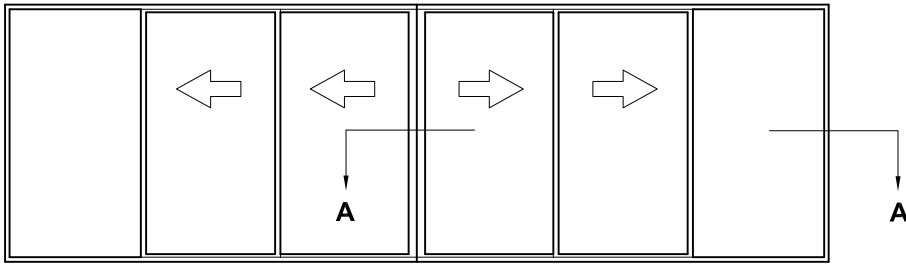
METRO SERIES, SLIDING DOOR THREE PANEL SSF CROSS SECTION

Cad Ref. AMSD10-0 Scale 1:2 Date 01.07.16

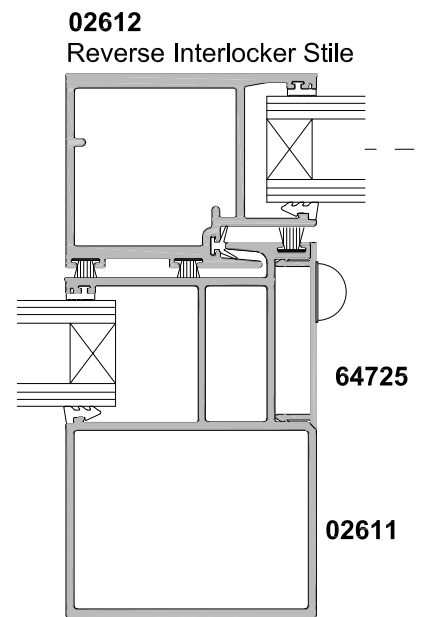
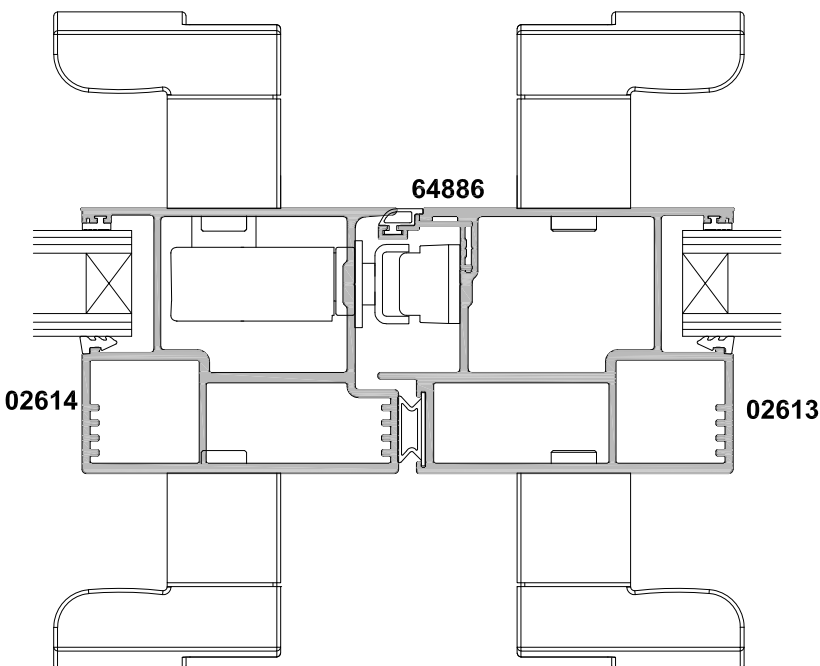
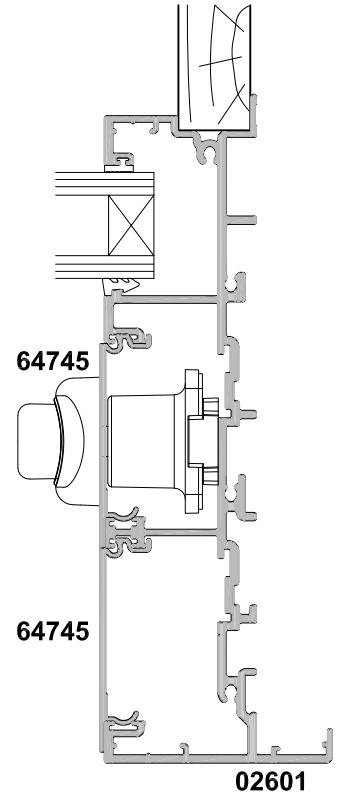
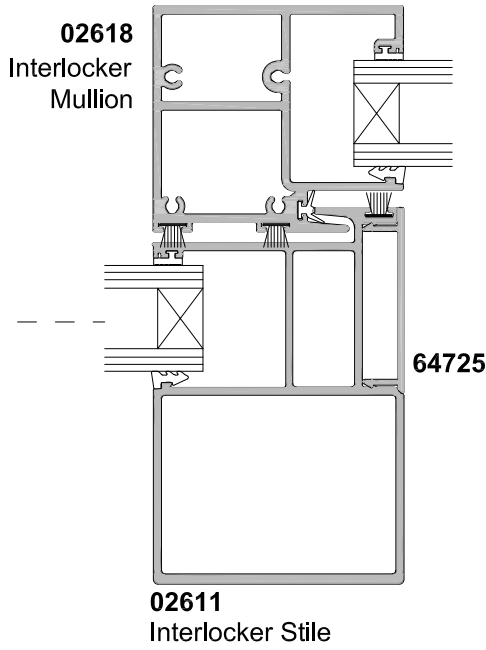


METRO SERIES, SLIDING DOOR
SIX PANEL FSS / SSF
CROSS SECTION

Cad Ref. AMSD11-0 Scale 1:2 Date 05.02.19



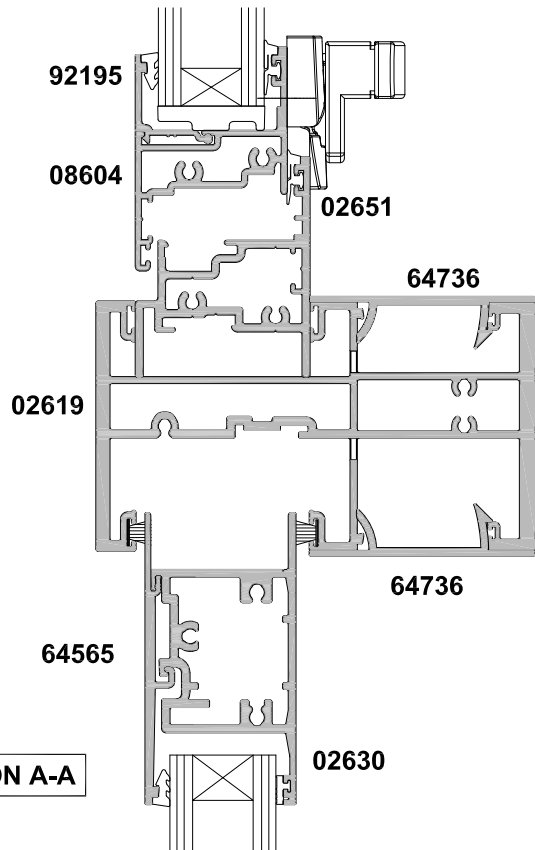
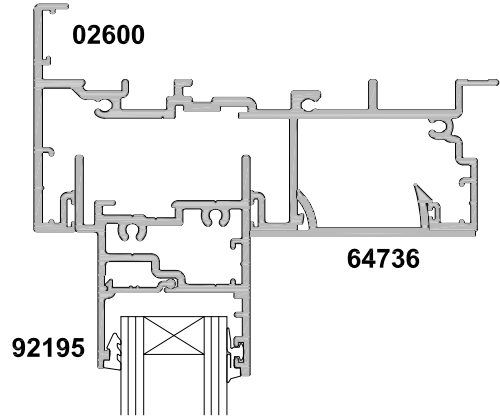
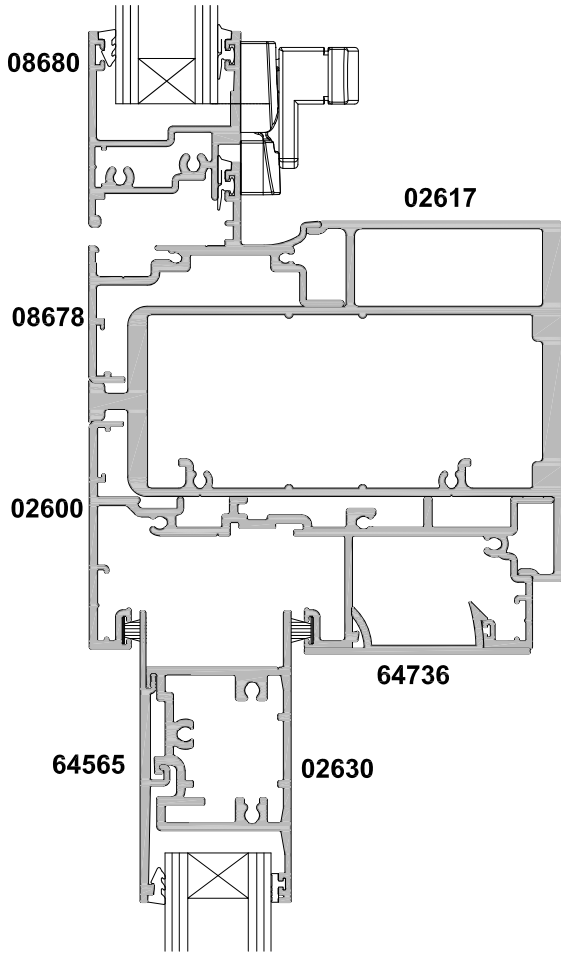
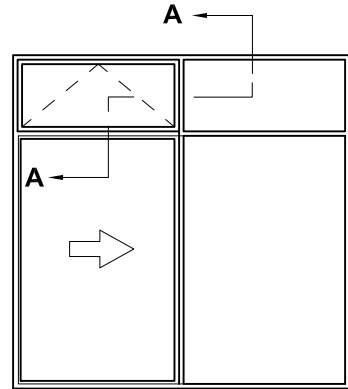
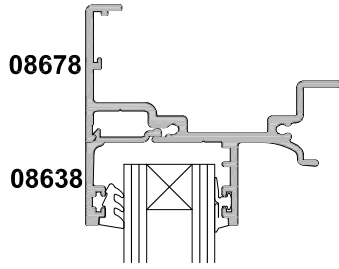
SECTION A-A



METRO SERIES, SLIDING DOOR OVERLIGHT OPTIONS

CROSS SECTION

Cad Ref. AMSD12-0 Scale 1:2 Date 06.07.20



SECTION A-A

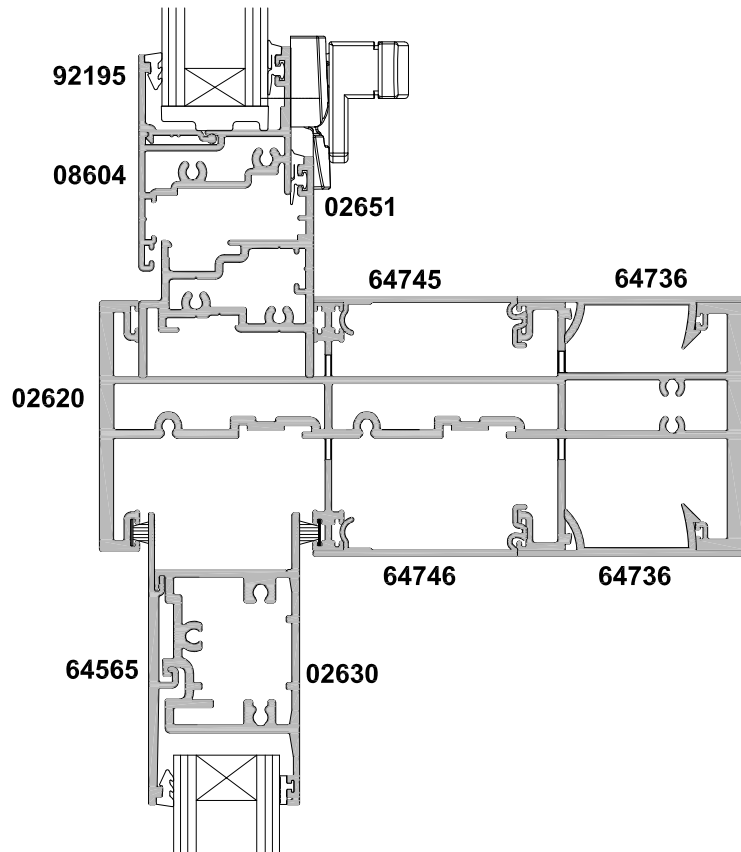
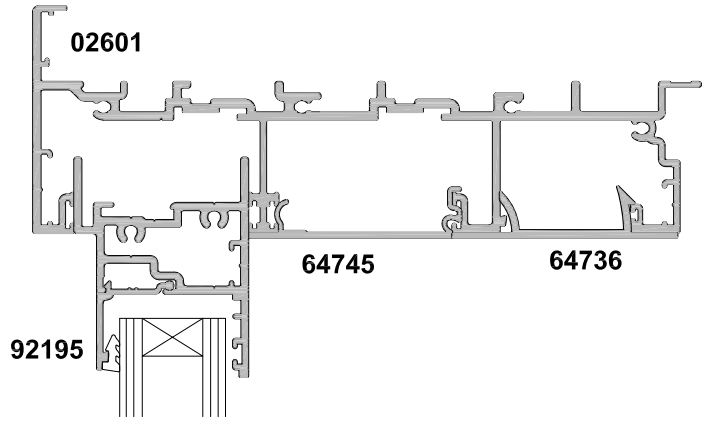
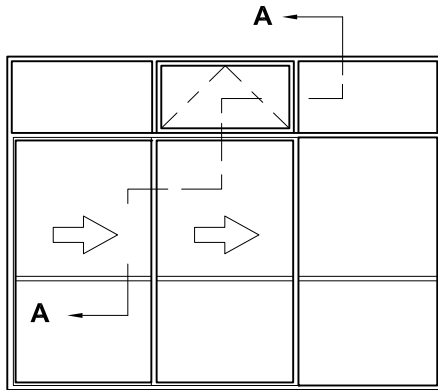
**COUPLED METRO
AWNING FRAME**

SECTION A-A

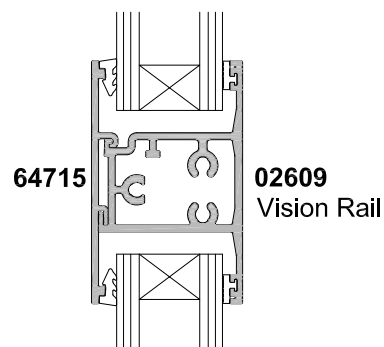
METRO SERIES, SLIDING DOOR OVERLIGHT OPTIONS

CROSS SECTION

Cad Ref. AMSD13-0 Scale 1:2 Date 06.07.20

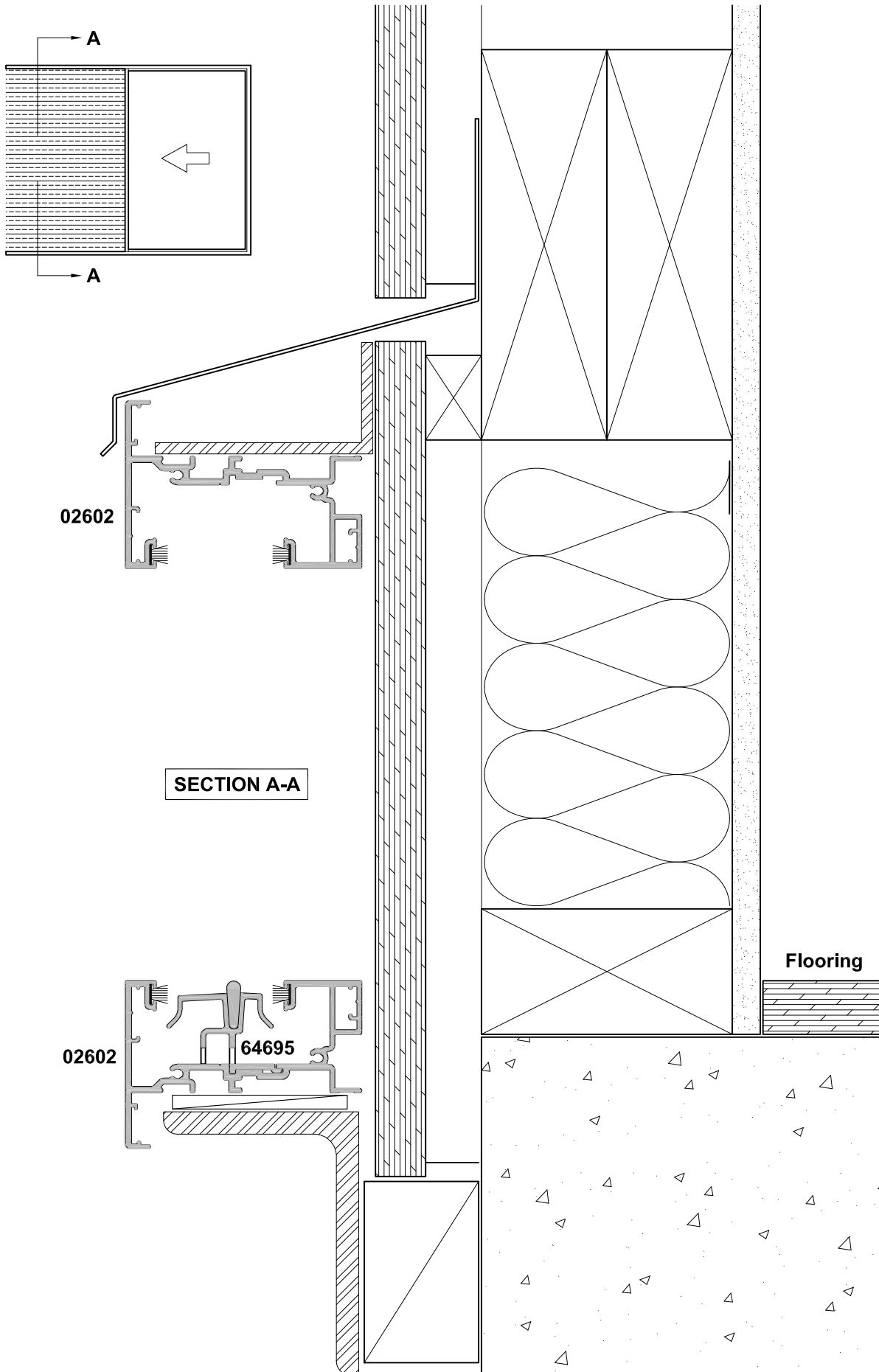


SECTION A-A



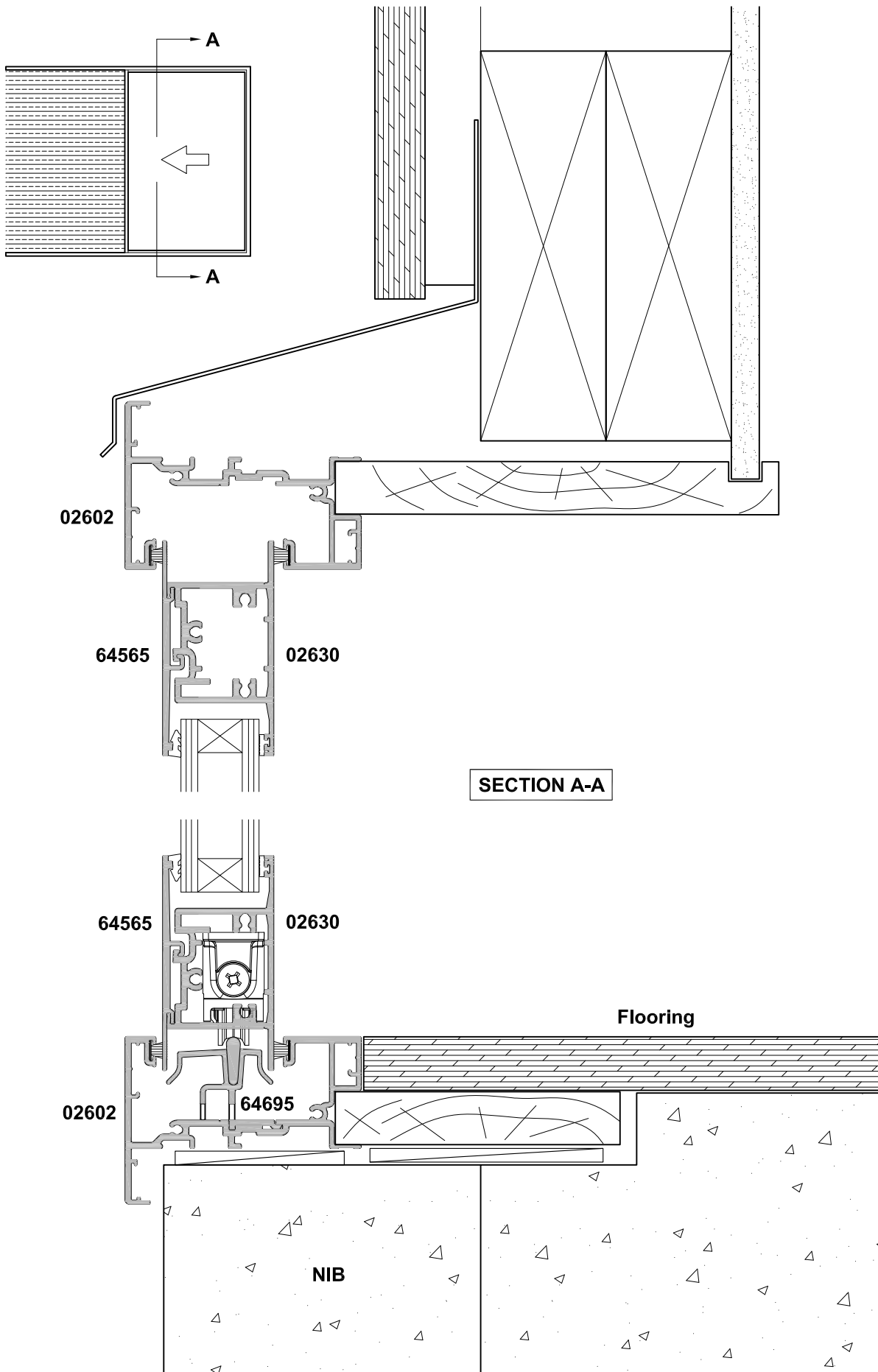
**METRO SERIES, SLIDING DOOR
SINGLE PANEL OVERWALL
CROSS SECTION**

Cad Ref. AMSD14-0 Scale 1:2 Date 01.07.16



METRO SERIES, SLIDING DOOR SINGLE PANEL OVERWALL CROSS SECTION

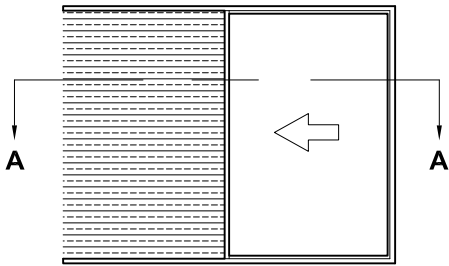
Cad Ref. AMSD15-0 Scale 1:2 Date 10.05.18



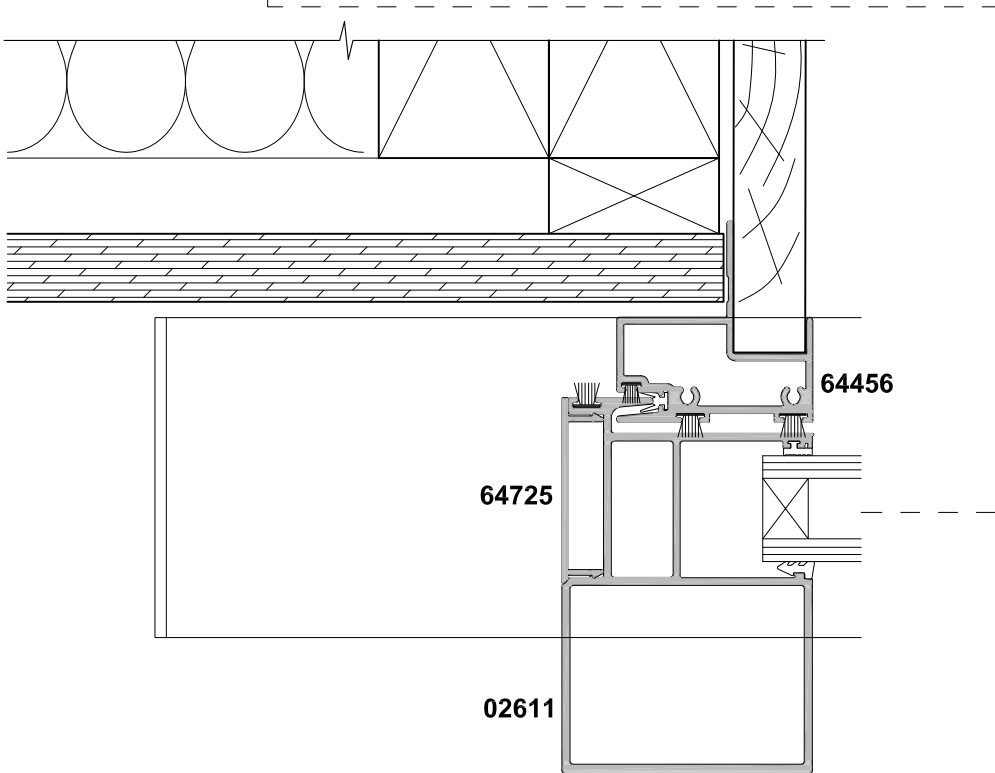
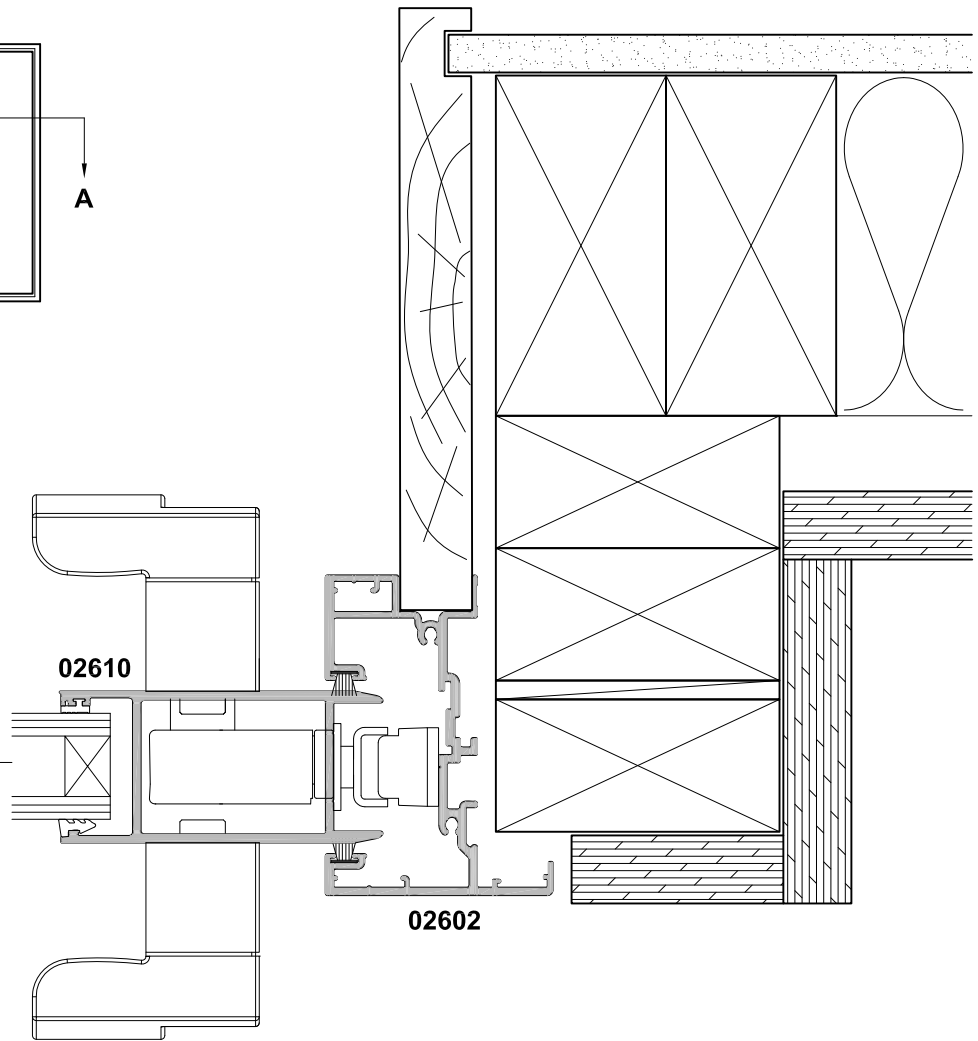
SECTION A-A

METRO SERIES, SLIDING DOOR SINGLE PANEL OVERWALL CROSS SECTION

Cad Ref. AMSD16-0 Scale 1:2 Date 01.07.16

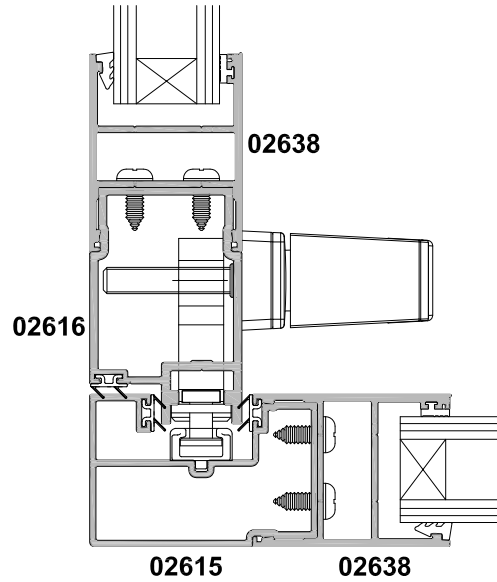
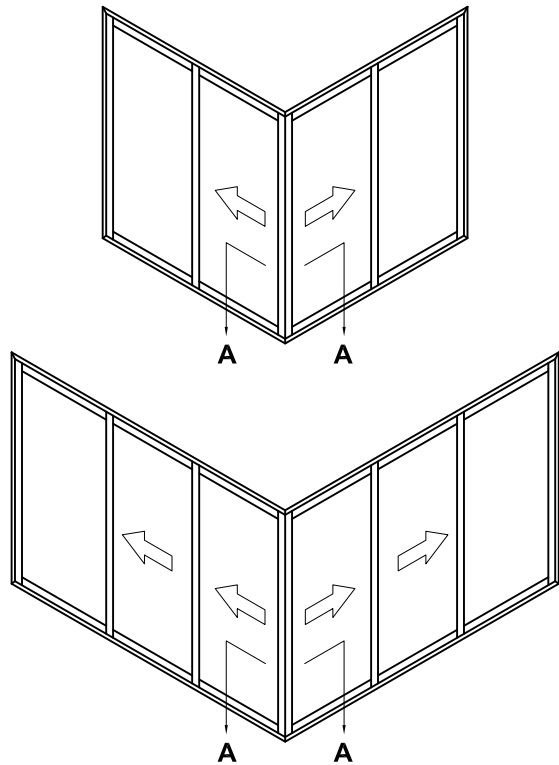


SECTION A-A



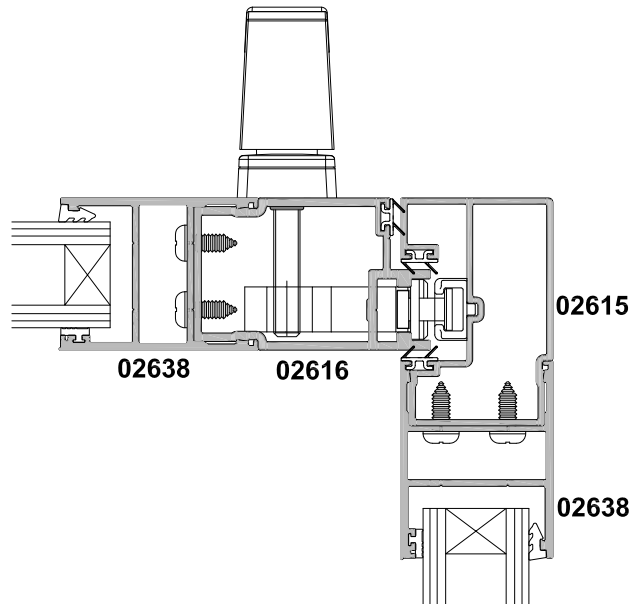
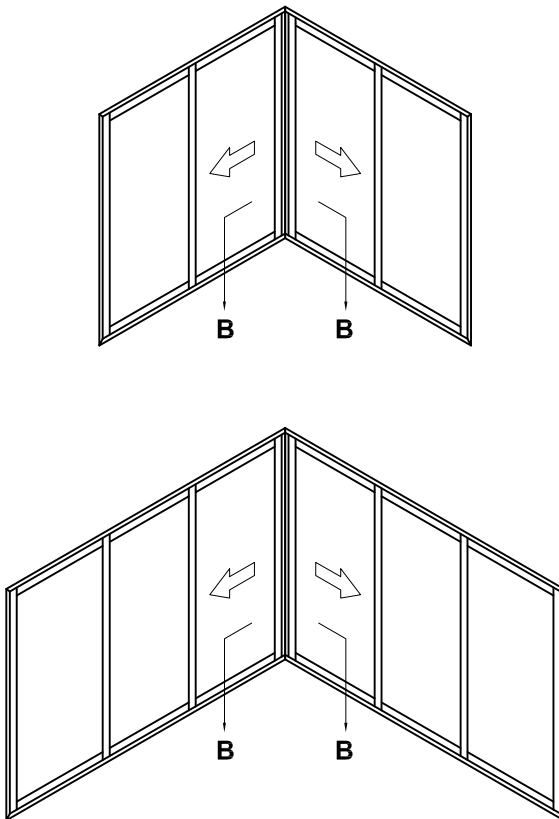
METRO SERIES, SLIDING DOOR
90° CORNER OPTIONS
CROSS SECTION

Cad Ref. AMSD17-0 Scale 1:2 Date 01.07.16



SECTION A-A

90° EXTERNAL CORNER



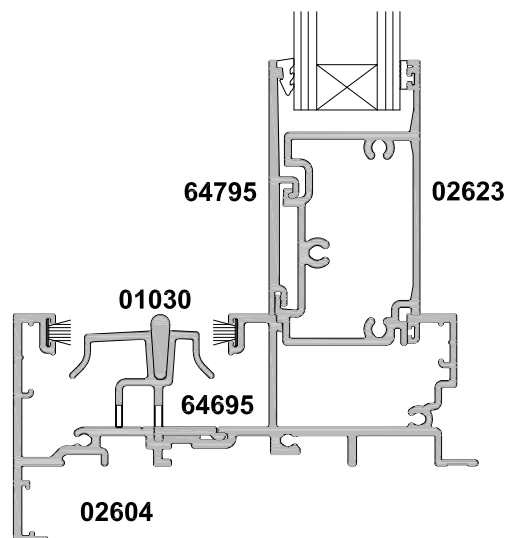
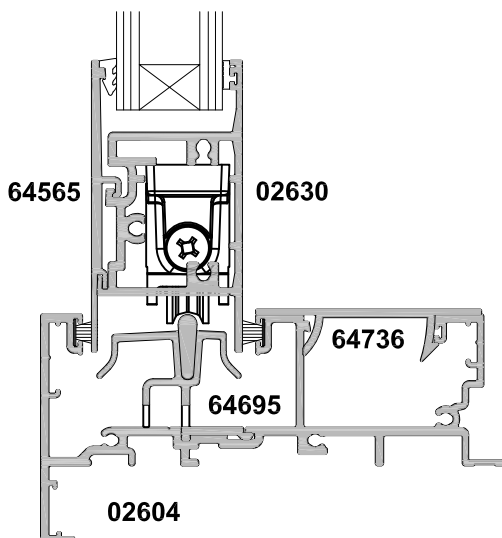
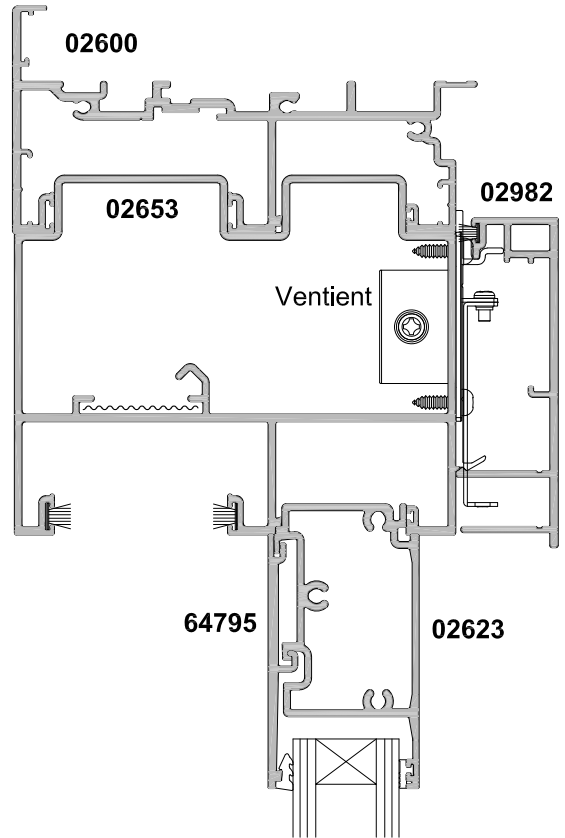
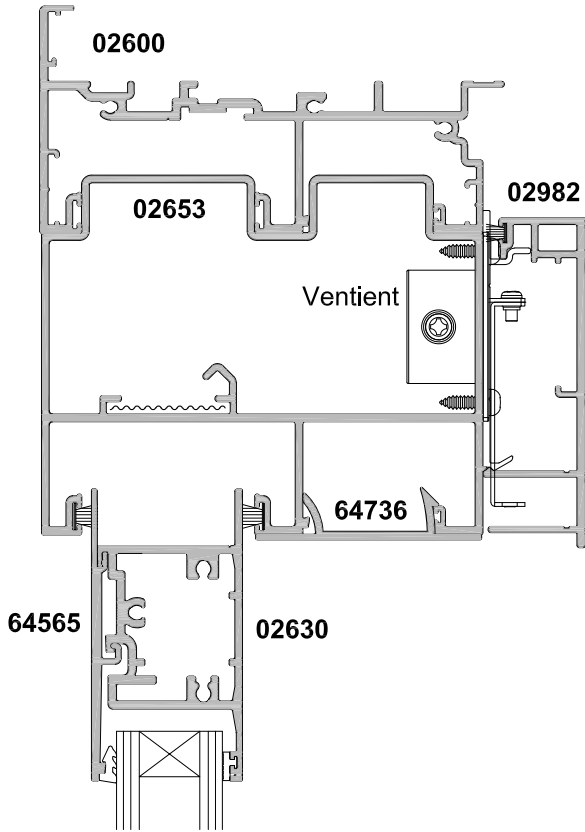
SECTION B-B

90° INTERNAL CORNER

Contact APL Technical Advisory Service for more information

METRO SERIES, SLIDING DOOR
VENTIENT
CROSS SECTION

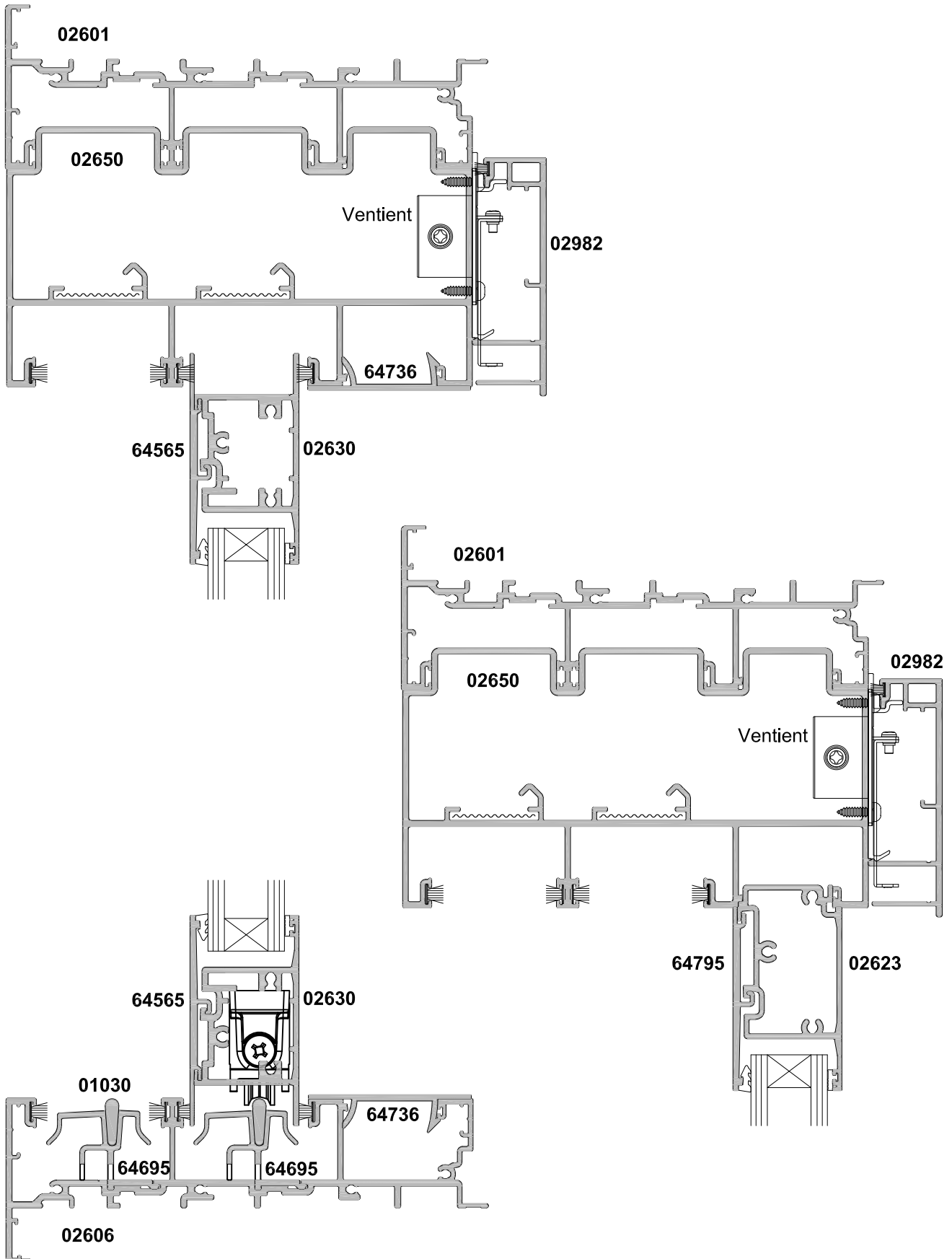
Cad Ref. AMSD18-0 Scale 1:2 Date 01.08.18



Contact APL Technical Advisory Service for more information

METRO SERIES, MULTISLIDING DOOR VENTIENT CROSS SECTION

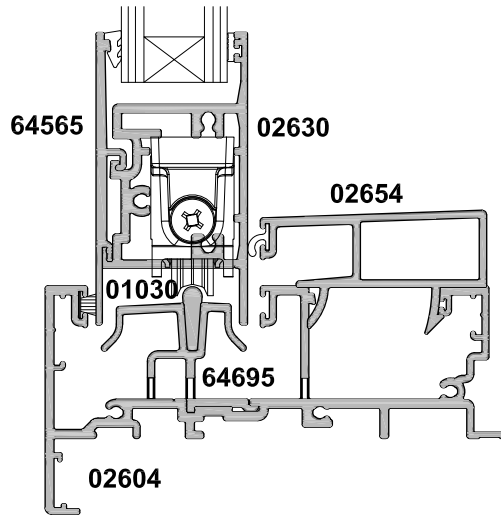
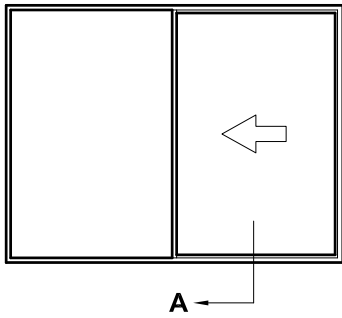
Cad Ref. AMSD19-0 Scale 1:2 Date 01.08.18



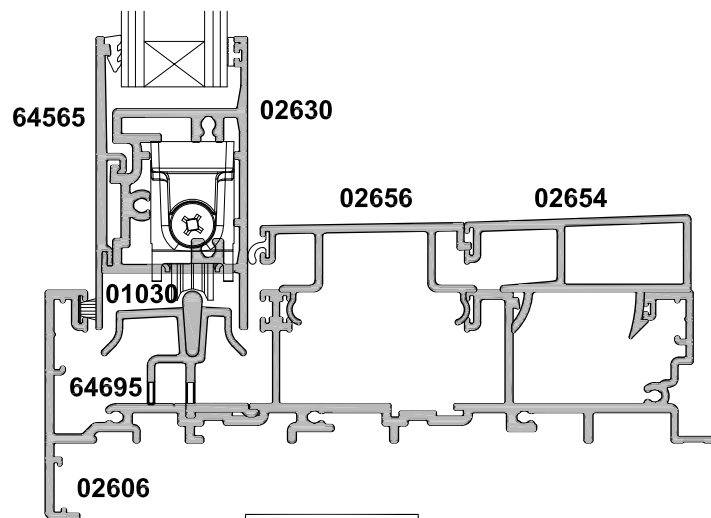
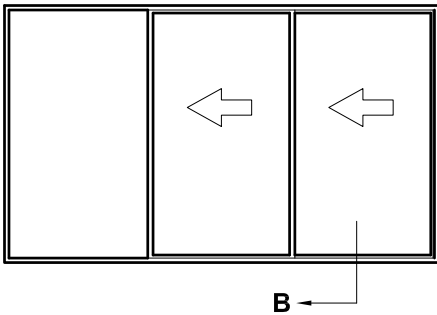
Contact APL Technical Advisory Service for more information

METRO SERIES, SLIDING DOOR HIGH THRESHOLD OPTION CROSS SECTION

Cad Ref. AMSD20-0 Scale 1:2 Date 01.05.21



SECTION A



SECTION B