

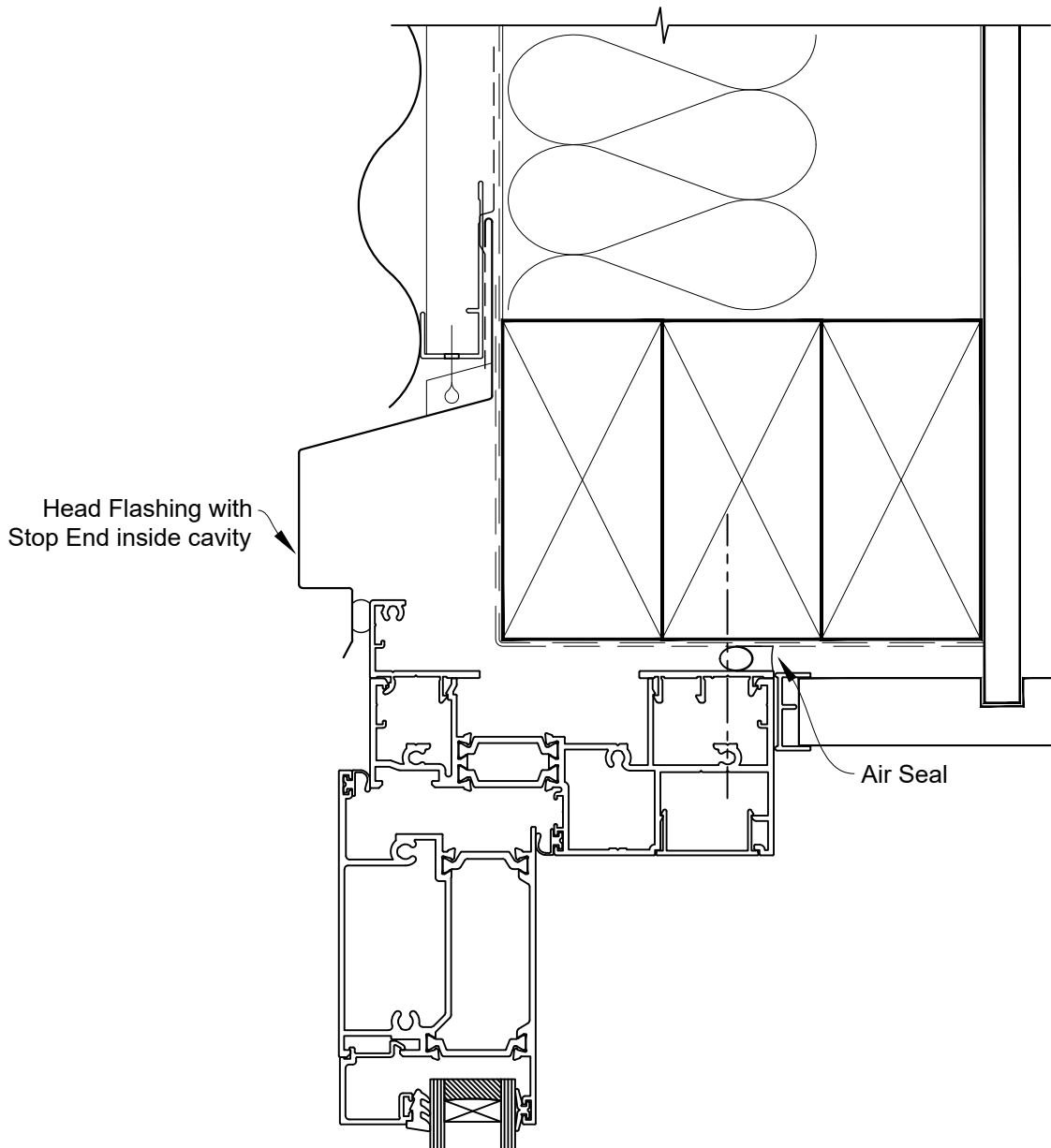


INSTALLATION DETAIL - ARCHITECTURAL THERMAL HEART HINGED DOOR OPEN OUT ON PROFILE METAL CAVITY CONSTRUCTION

Date: 01.09.23

Scale: 1:2

CAD Ref.: TAHOPM-CH



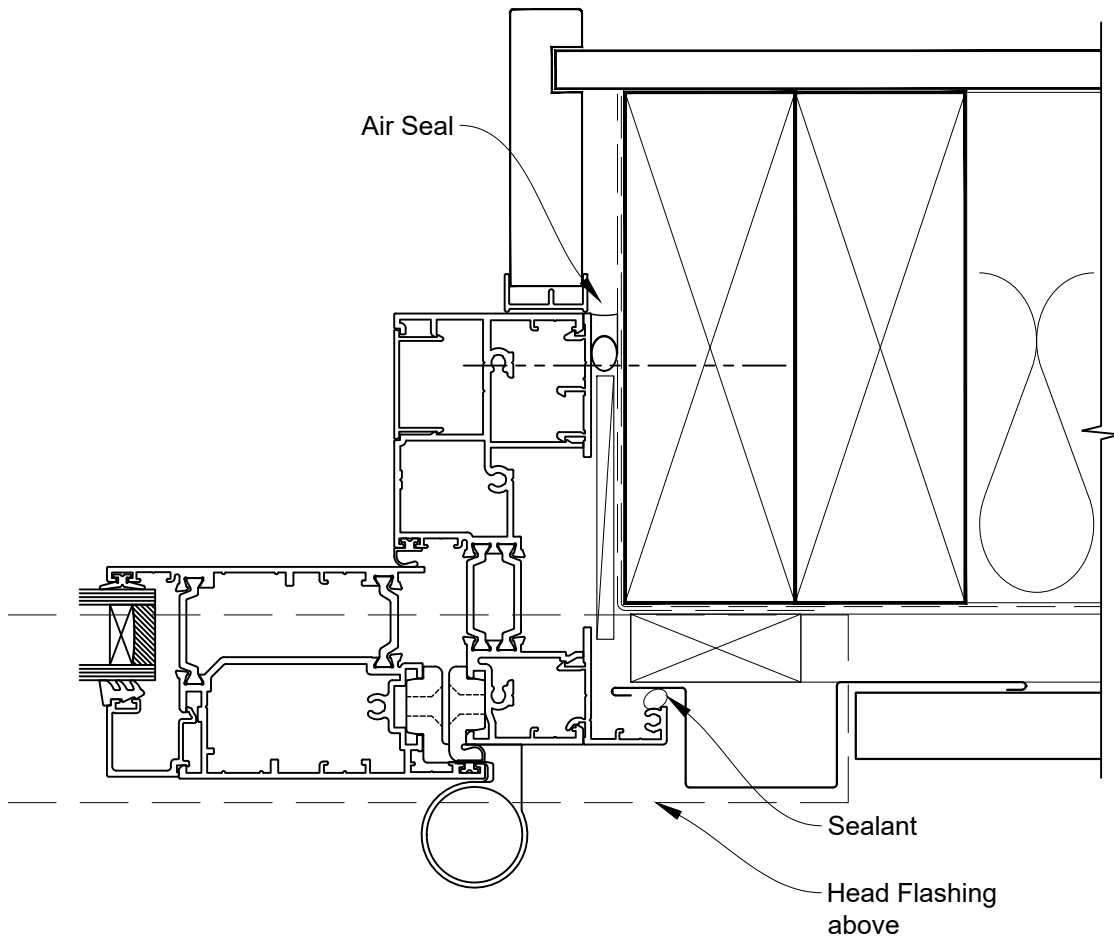


INSTALLATION DETAIL - ARCHITECTURAL THERMAL HEART HINGED DOOR OPEN OUT ON PROFILE METAL CAVITY CONSTRUCTION

Date: 01.09.23

Scale: 1:2

CAD Ref.: TAHOPM-CJ





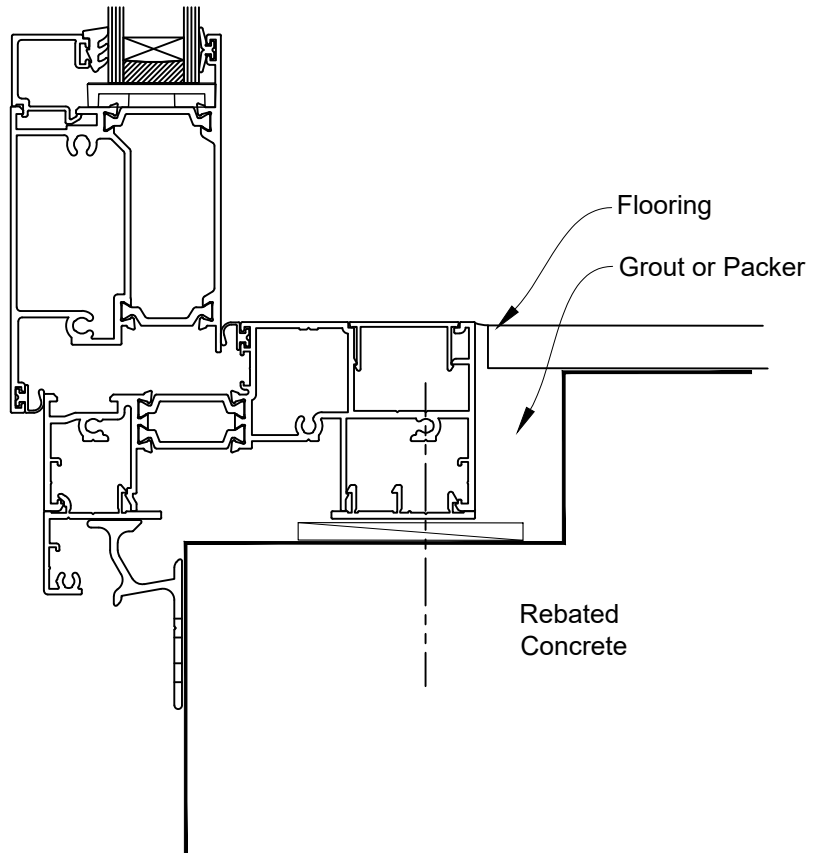
INSTALLATION DETAIL - ARCHITECTURAL THERMAL HEART HINGED DOOR OPEN OUT ON PROFILE METAL CAVITY CONSTRUCTION

Date: 01.09.23

Scale: 1:2

CAD Ref.: TAHOPM-CS

FLANGED BOTTOM RAIL OPTION ON FACING INFILL





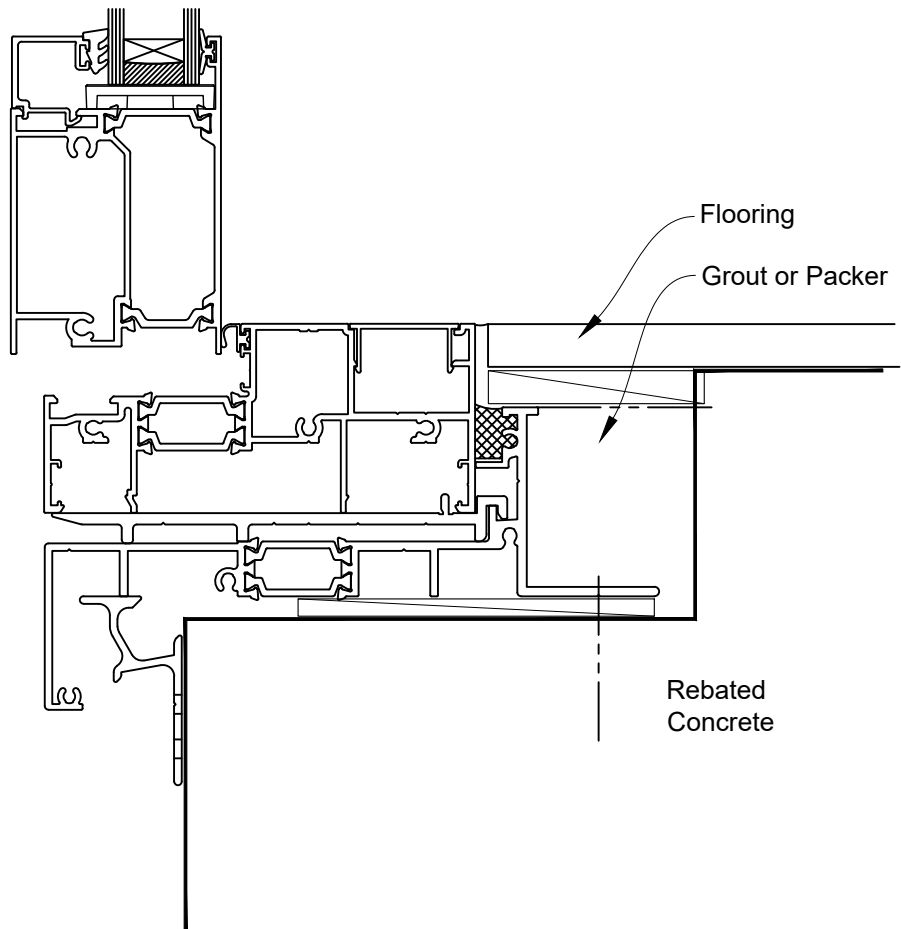
INSTALLATION DETAIL - ARCHITECTURAL THERMAL HEART HINGED DOOR OPEN OUT ON PROFILE METAL CAVITY CONSTRUCTION

Date: 01.09.23

Scale: 1:2

CAD Ref.: TAHOPM-CS2

FLUSH BOTTOM RAIL OPTION ON SILL TRAY



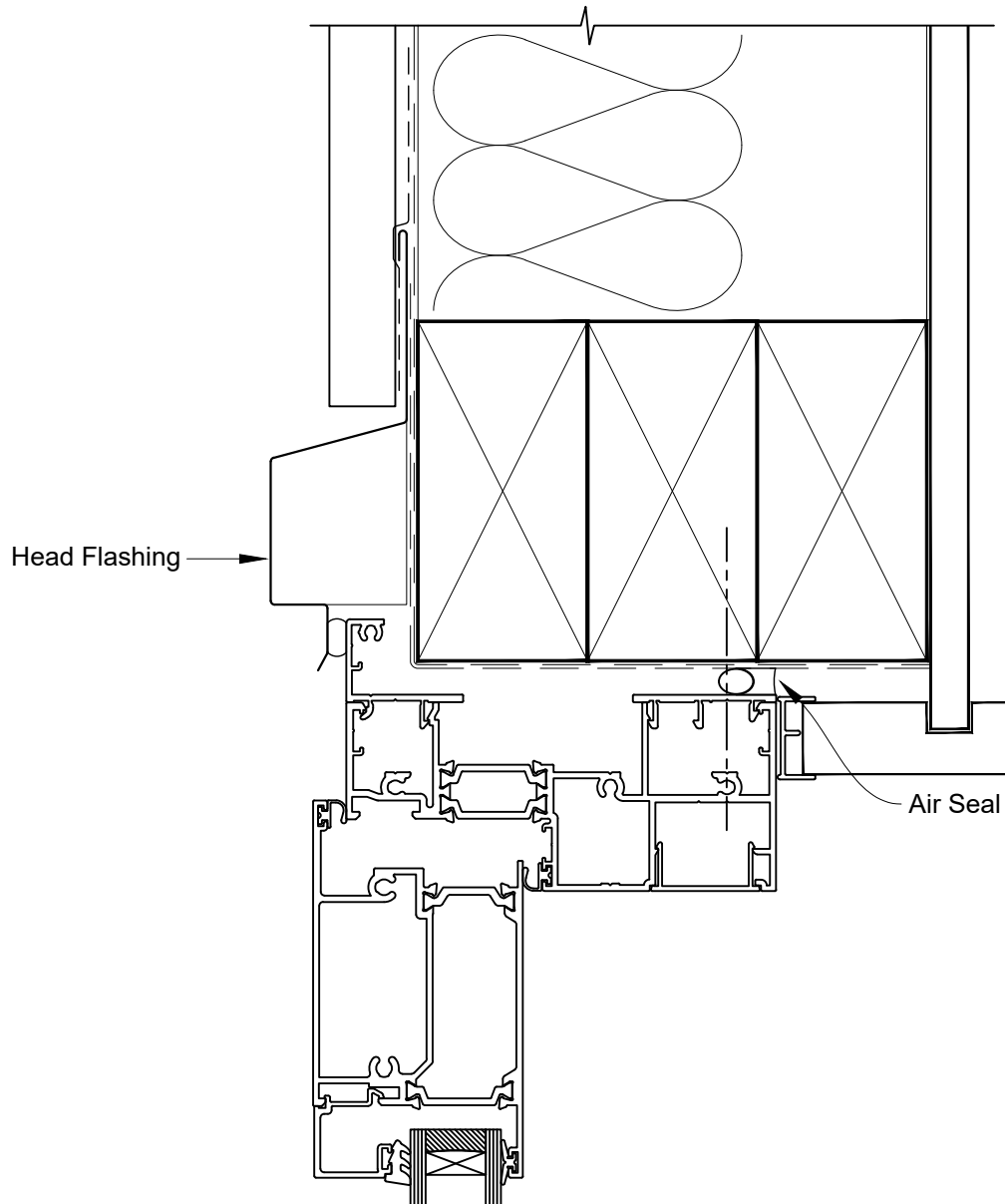


INSTALLATION DETAIL - ARCHITECTURAL THERMAL HEART HINGED DOOR OPEN OUT ON PROFILE METAL DIRECT FIXED CLADDING

Date: 01.09.23

Scale: 1:2

CAD Ref.: TAHOPM-DH



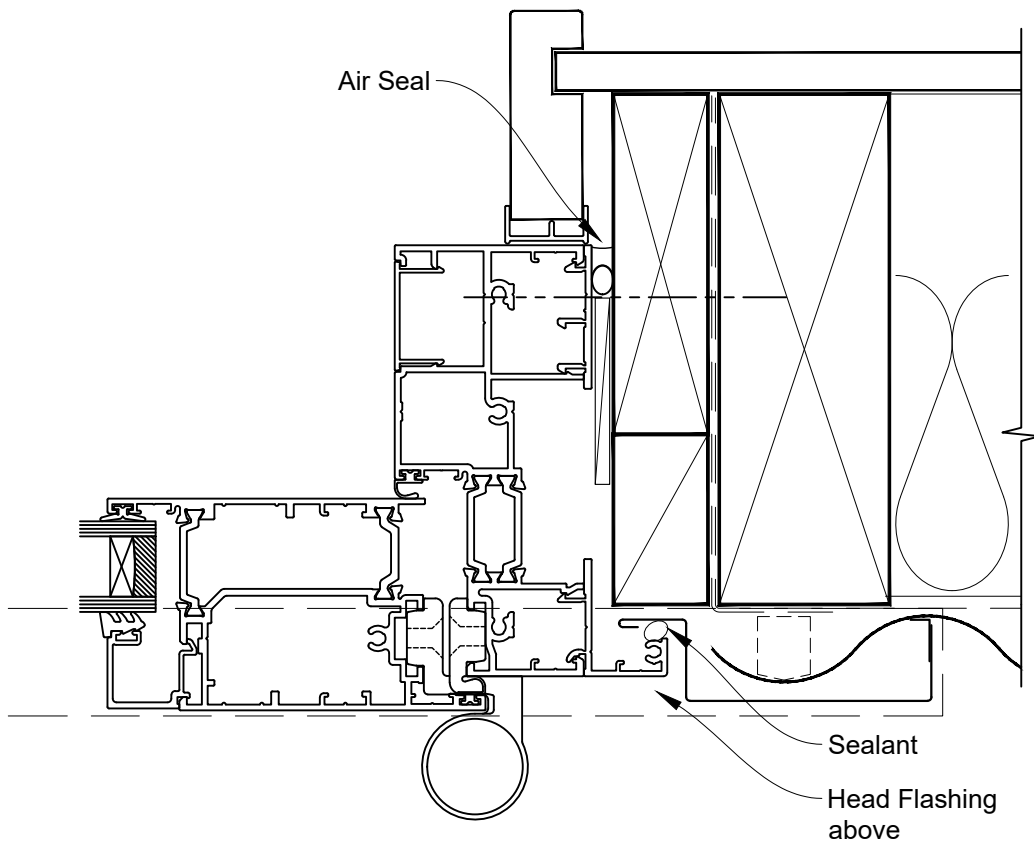


INSTALLATION DETAIL - ARCHITECTURAL THERMAL HEART HINGED DOOR OPEN OUT ON PROFILE METAL DIRECT FIXED CLADDING

Date: 01.09.23

Scale: 1:2

CAD Ref.: TAHOPM-DJ





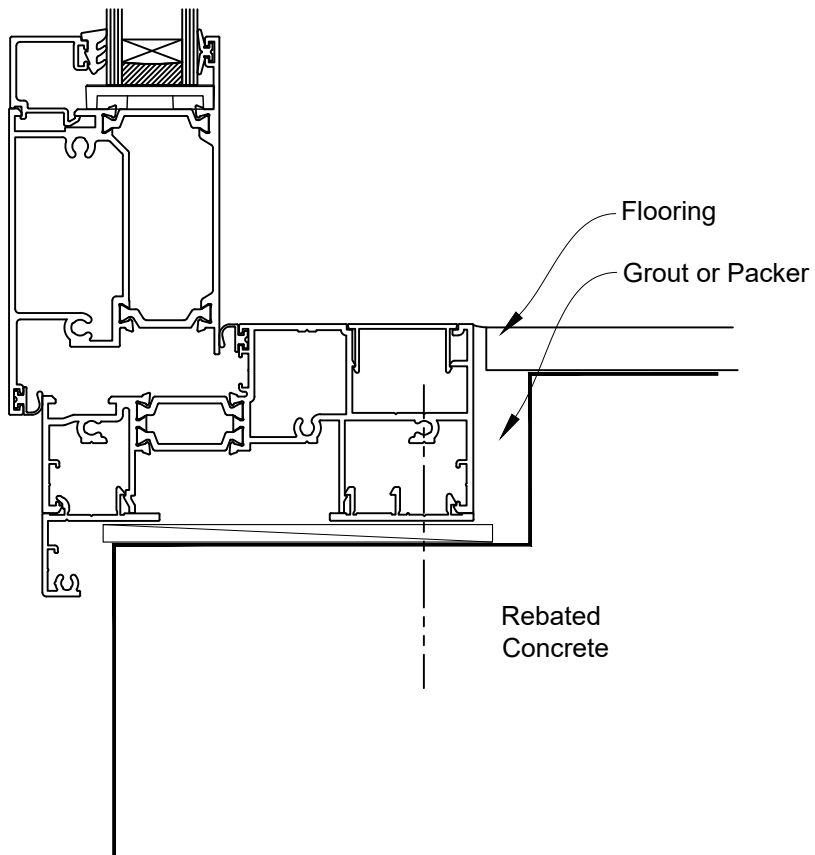
INSTALLATION DETAIL - ARCHITECTURAL THERMAL HEART HINGED DOOR OPEN OUT ON PROFILE METAL DIRECT FIXED CLADDING

Date: 01.09.23

Scale: 1:2

CAD Ref.: TAHOPM-DS

FLANGED BOTTOM RAIL OPTION ON FACING INFILL





INSTALLATION DETAIL - ARCHITECTURAL THERMAL HEART HINGED DOOR OPEN OUT ON PROFILE METAL DIRECT FIXED CLADDING

Date: 01.09.23

Scale: 1:2

CAD Ref.: TAHOPM-DS2

FLUSH BOTTOM RAIL OPTION ON SILL TRAY

