

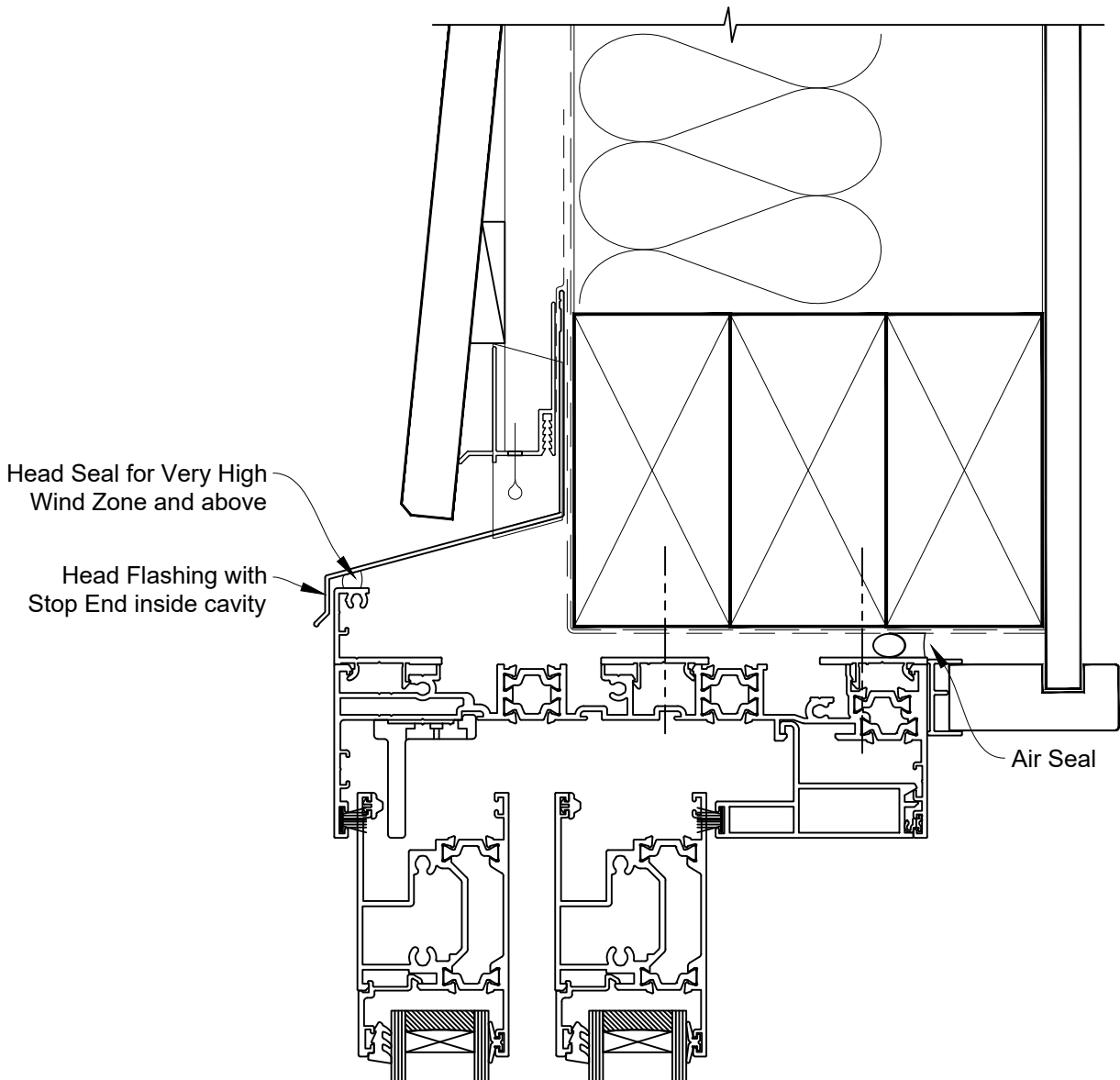


INSTALLATION DETAIL - ARCHITECTURAL THERMAL HEART 171mm SLIDING WINDOW ON BEVELBACK WEATHERBOARD CAVITY CONSTRUCTION

Date: 01.09.23

Scale: 1:2

CAD Ref.: TA171SWBW-CH



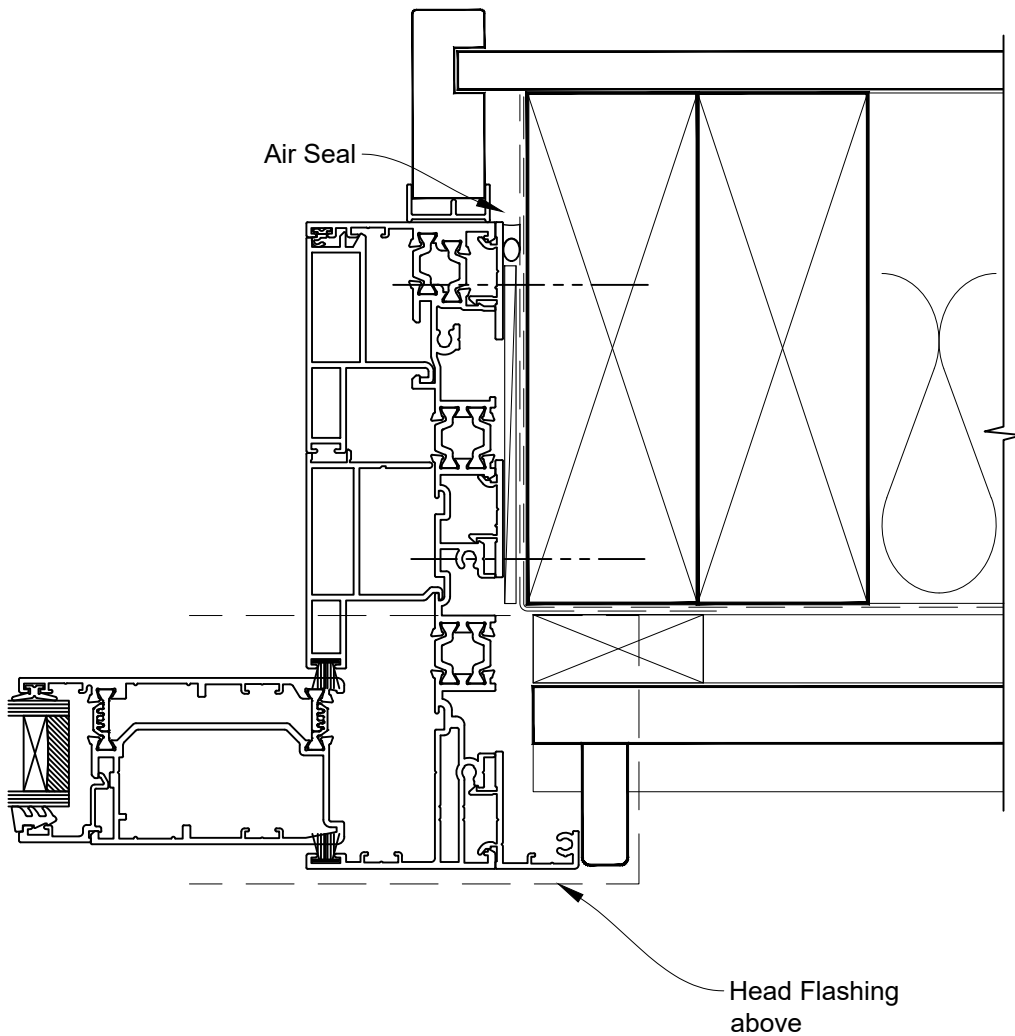


INSTALLATION DETAIL - ARCHITECTURAL THERMAL HEART 171mm SLIDING WINDOW ON BEVELBACK WEATHERBOARD CAVITY CONSTRUCTION

Date: 01.09.23

Scale: 1:2

CAD Ref.: TA171SWBW-CJ





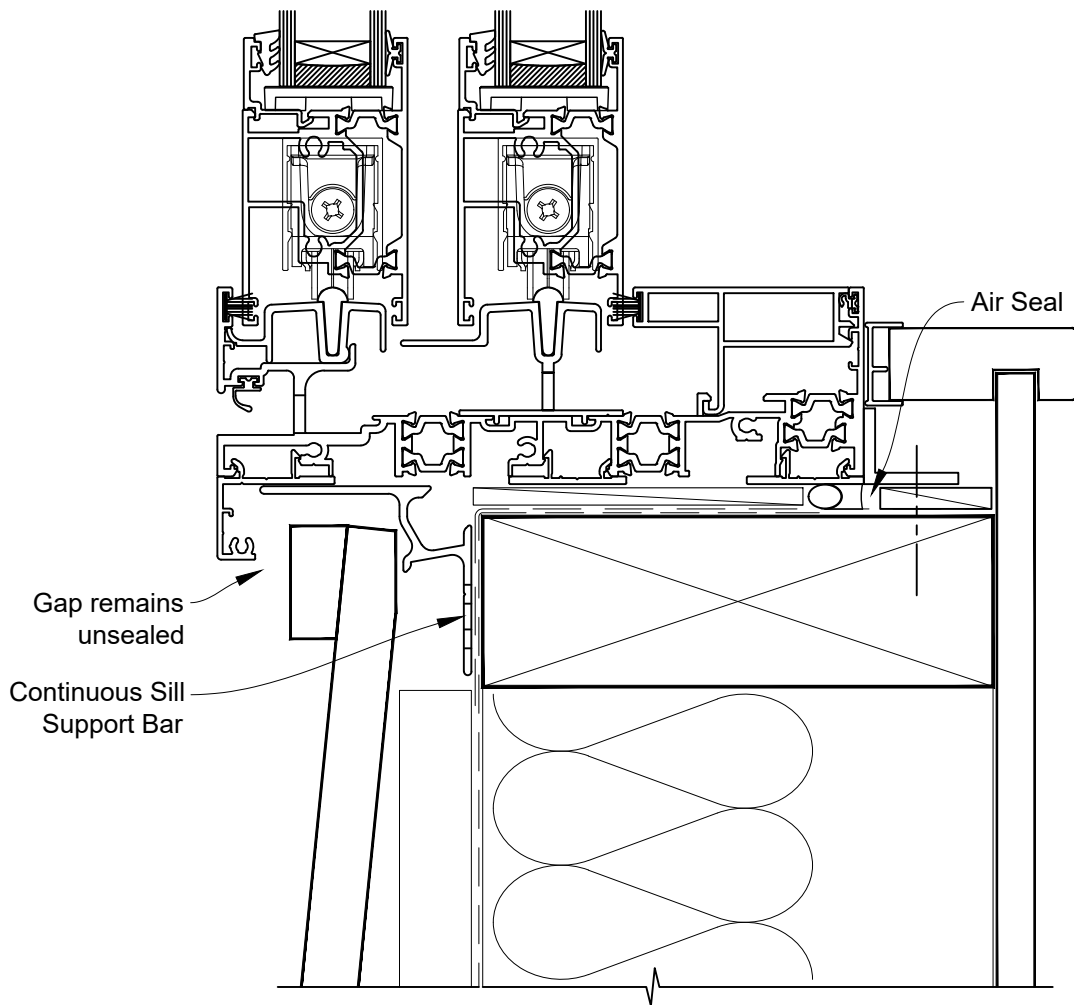
INSTALLATION DETAIL - ARCHITECTURAL THERMAL HEART 171mm SLIDING WINDOW ON BEVELBACK WEATHERBOARD CAVITY CONSTRUCTION

Date: 01.09.23

Scale: 1:2

CAD Ref.: TA171SWBW-CS

FACING INFILL OPTION





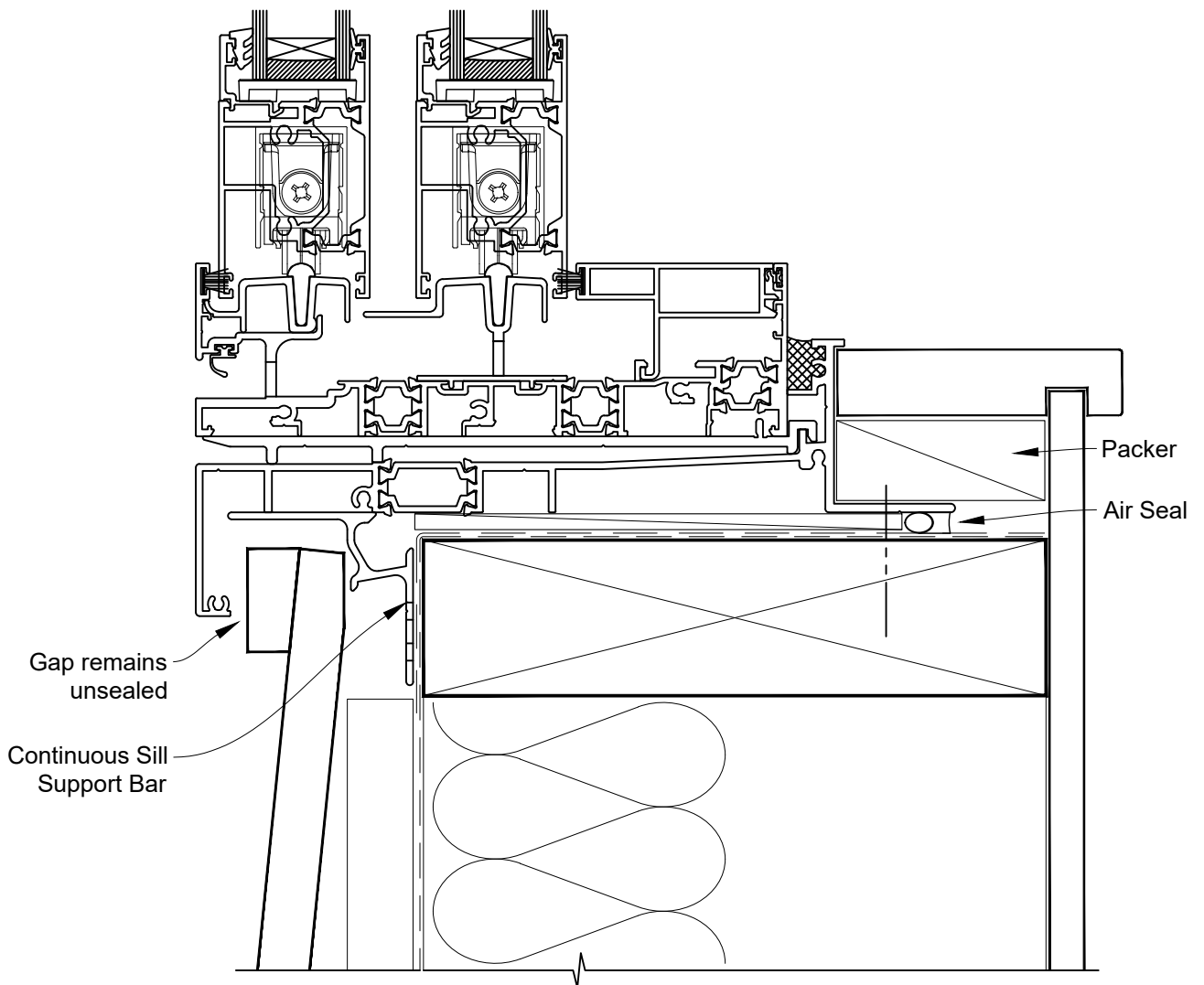
INSTALLATION DETAIL - ARCHITECTURAL THERMAL HEART 171mm SLIDING WINDOW ON BEVELBACK WEATHERBOARD CAVITY CONSTRUCTION

Date: 01.09.23

Scale: 1:2

CAD Ref.: TA171SWBW-CS2

SILL TRAY OPTION



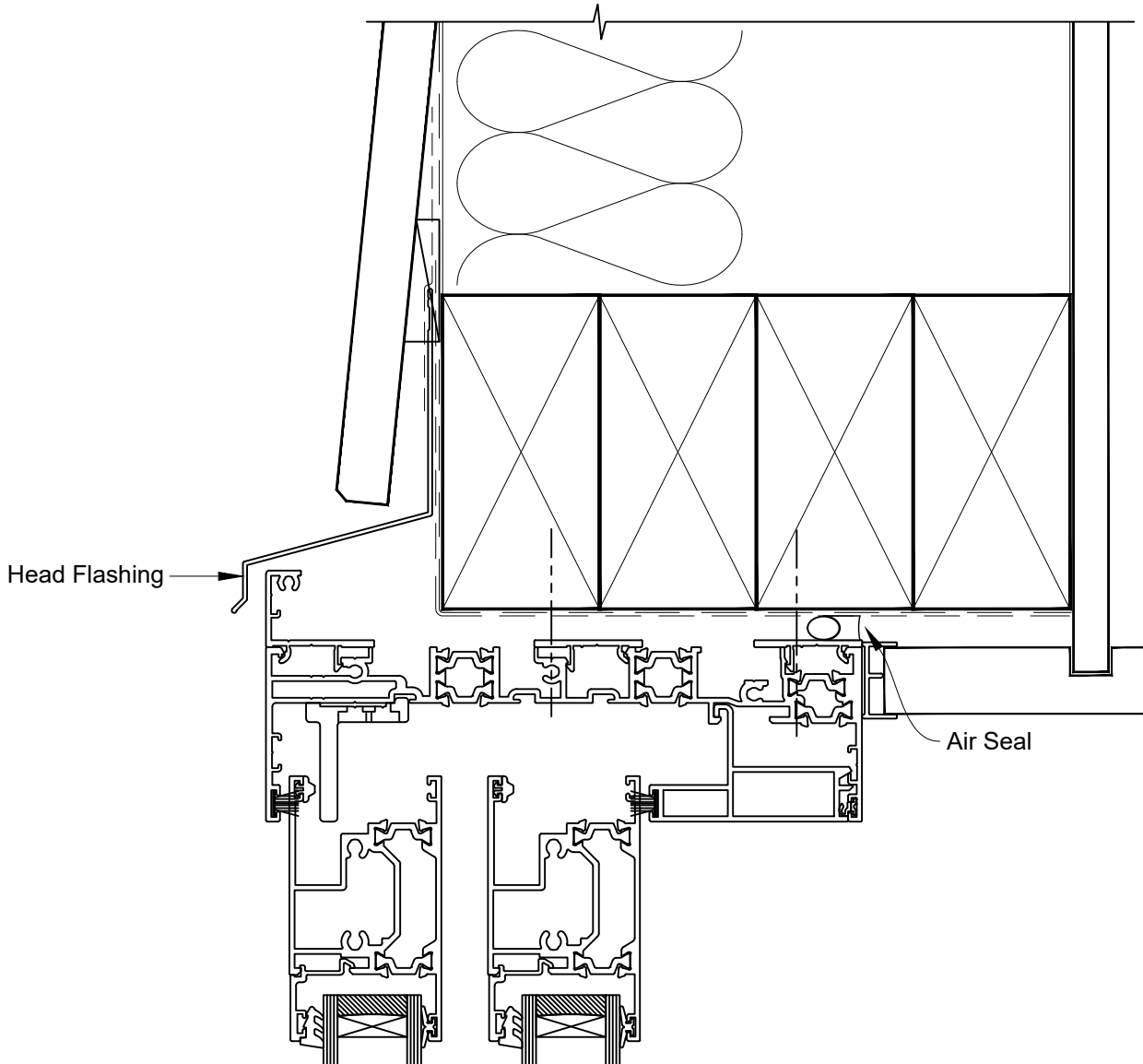


INSTALLATION DETAIL - ARCHITECTURAL THERMAL HEART 171mm SLIDING WINDOW ON BEVELBACK WEATHERBOARD DIRECT FIXED CLADDING

Date: 01.09.23

Scale: 1:2

CAD Ref.: TA171SWBW-DH



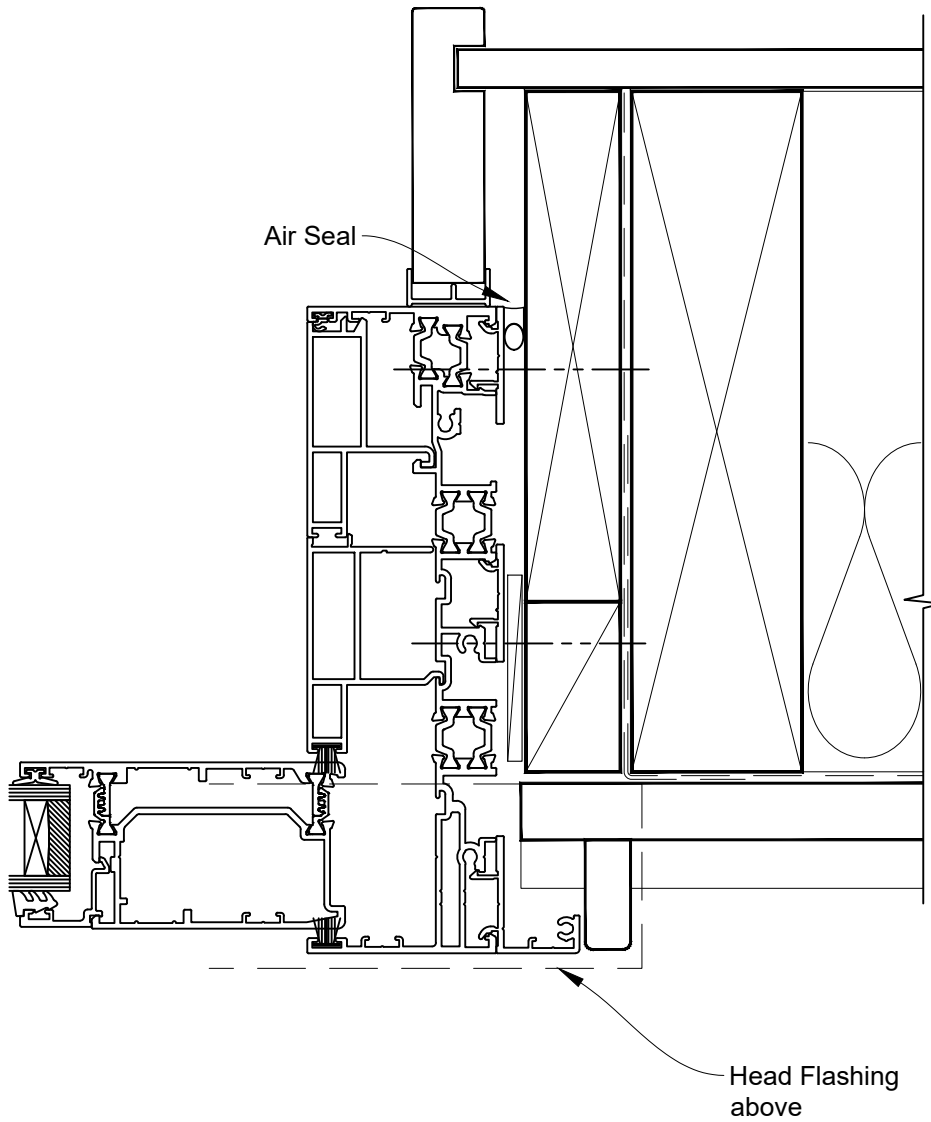


INSTALLATION DETAIL - ARCHITECTURAL THERMAL HEART 171mm SLIDING WINDOW ON BEVELBACK WEATHERBOARD DIRECT FIXED CLADDING

Date: 01.09.23

Scale: 1:2

CAD Ref.: TA171SWBW-DJ





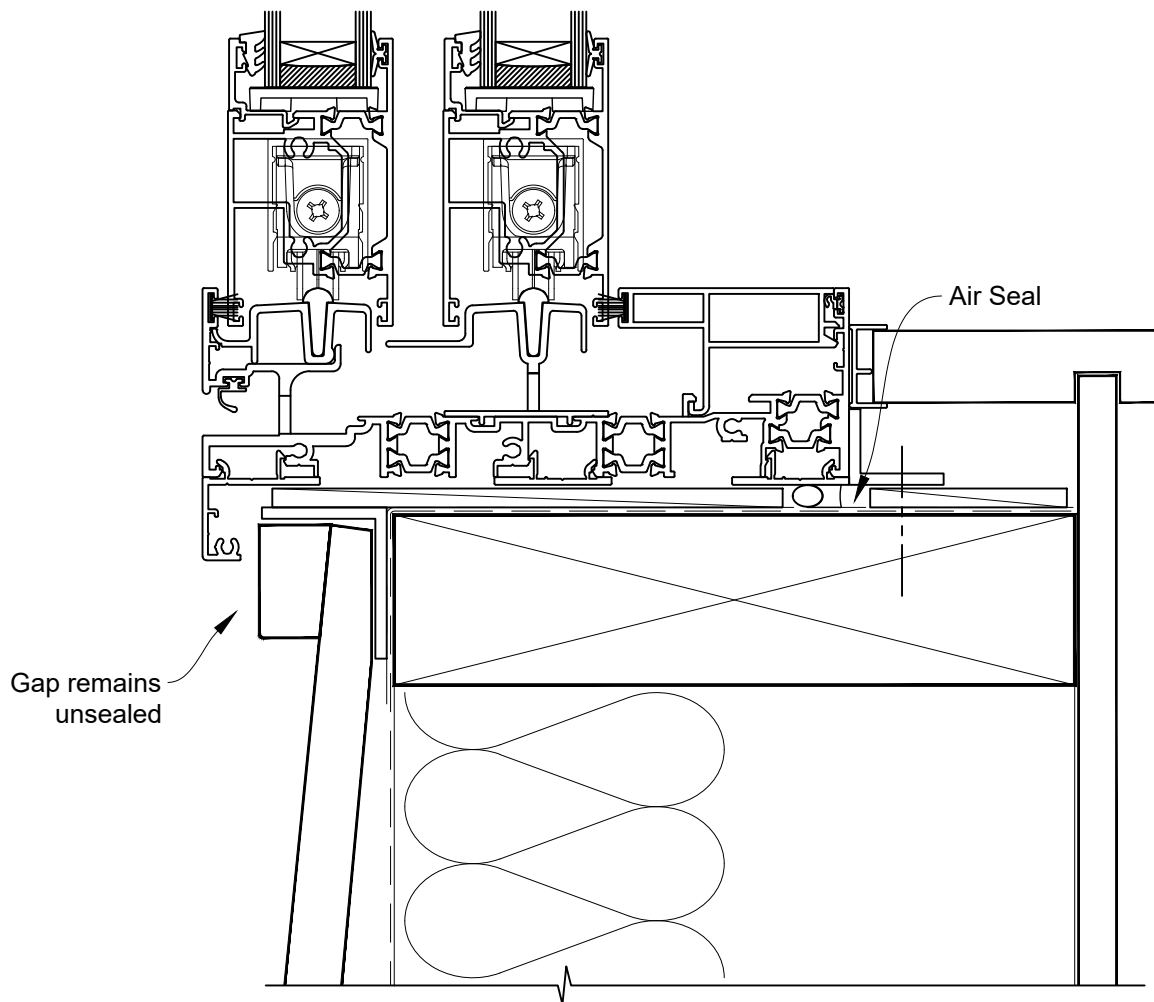
INSTALLATION DETAIL - ARCHITECTURAL THERMAL HEART 171mm SLIDING WINDOW ON BEVELBACK WEATHERBOARD DIRECT FIXED CLADDING

Date: 01.09.23

Scale: 1:2

CAD Ref.: TA171SWBW-DS

SILL TRAY OPTION





INSTALLATION DETAIL - ARCHITECTURAL THERMAL HEART 171mm SLIDING WINDOW ON BEVELBACK WEATHERBOARD DIRECT FIXED CLADDING

Date: 01.09.23

Scale: 1:2

CAD Ref.: TA171SWBW-DS2

FACING INFILL OPTION

