

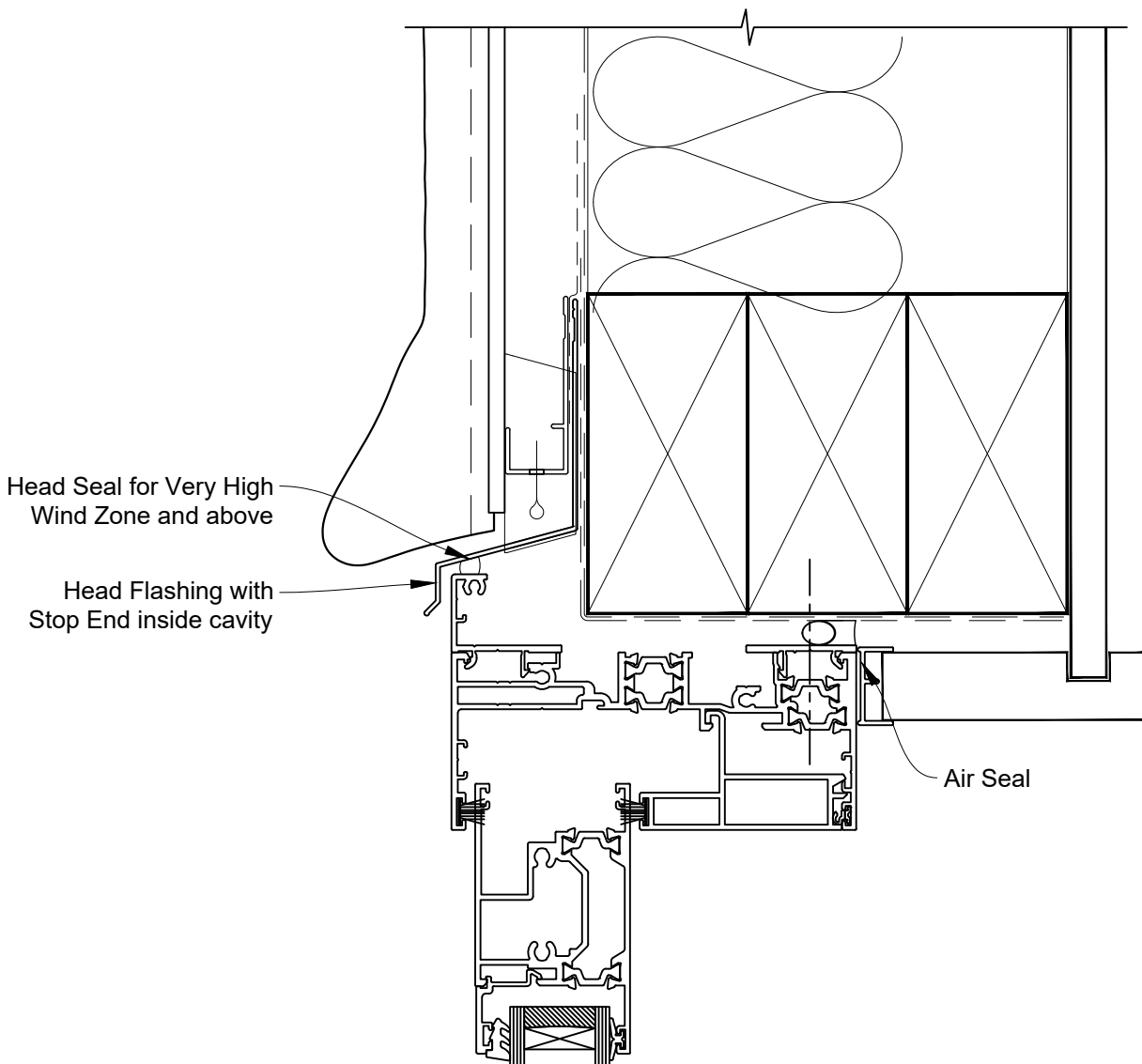


INSTALLATION DETAIL - ARCHITECTURAL THERMAL HEART 114mm SLIDING WINDOW ON STUCCO CAVITY CONSTRUCTION

Date: 01.09.23

Scale: 1:2

CAD Ref.: TA114SWST-CH



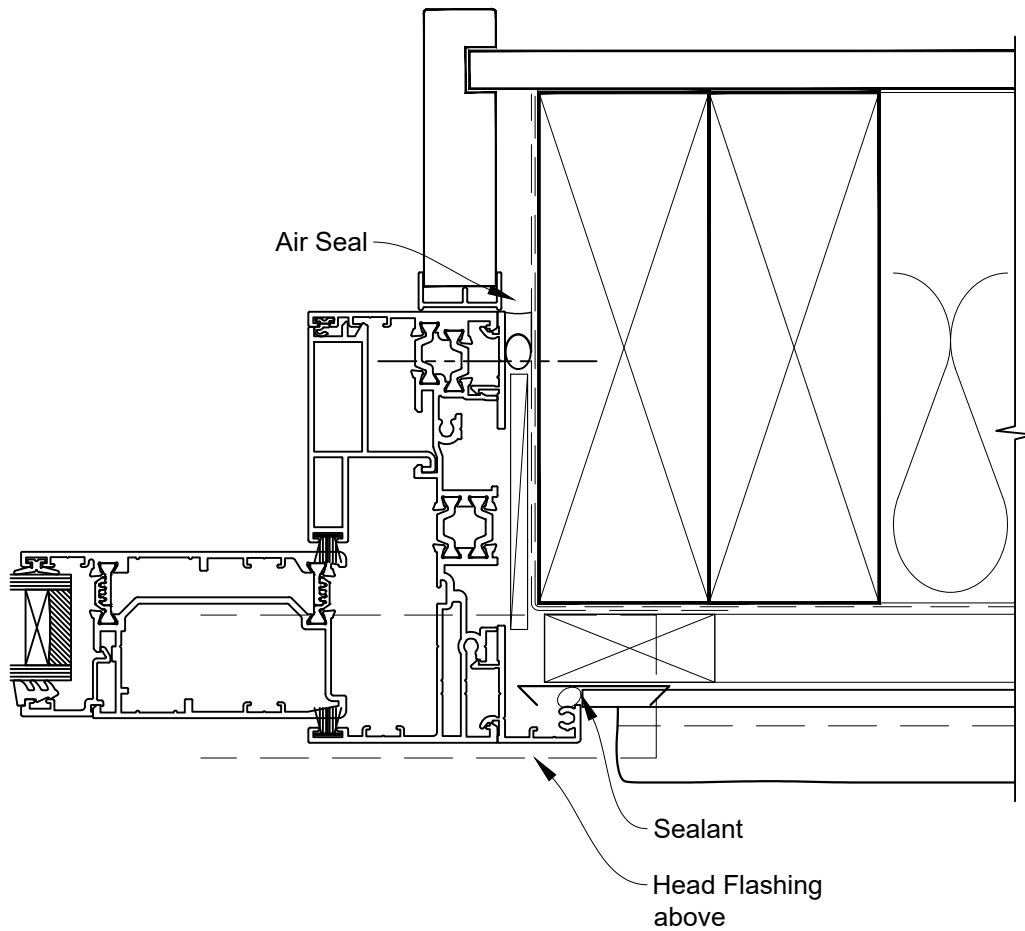


INSTALLATION DETAIL - ARCHITECTURAL THERMAL HEART 114mm SLIDING WINDOW ON STUCCO CAVITY CONSTRUCTION

Date: 01.09.23

Scale: 1:2

CAD Ref.: TA114SWST-CJ





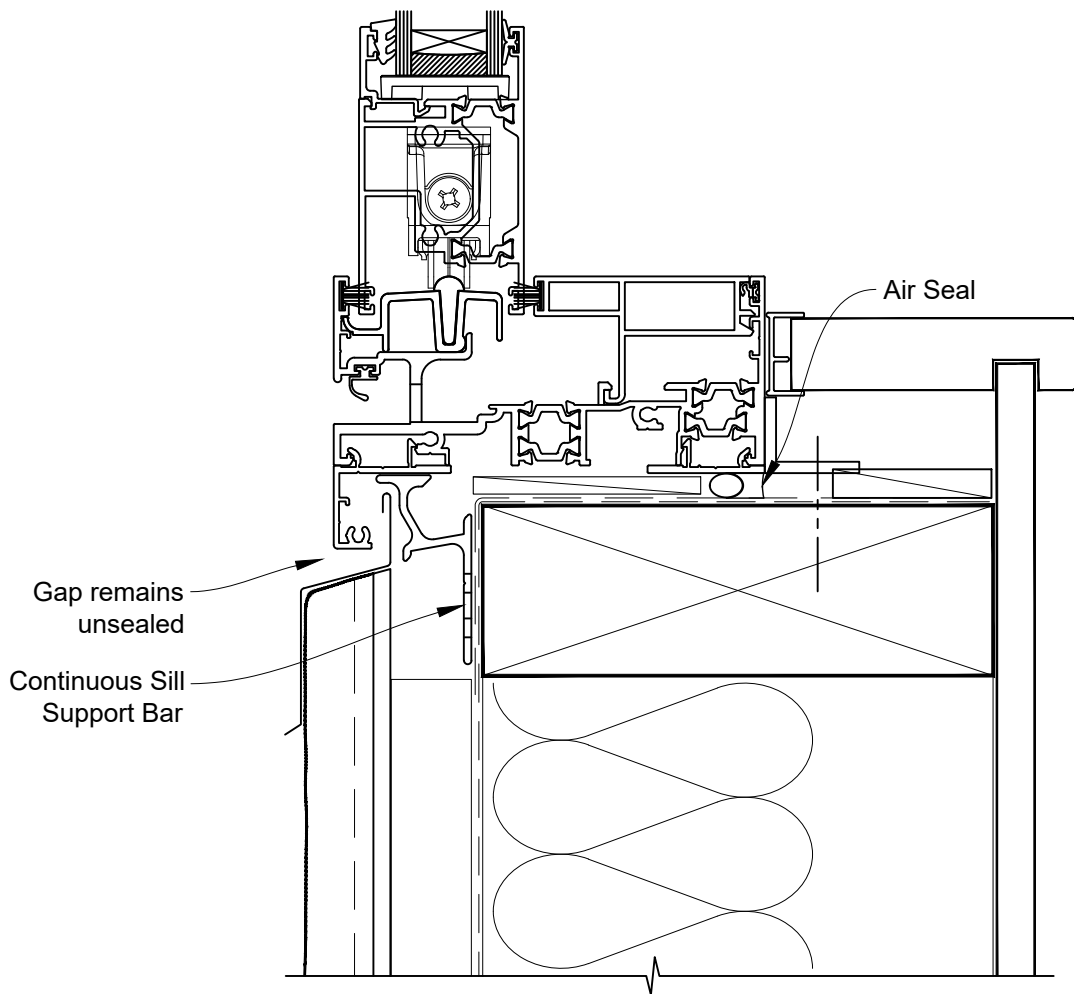
INSTALLATION DETAIL - ARCHITECTURAL THERMAL HEART 114mm SLIDING WINDOW ON STUCCO CAVITY CONSTRUCTION

Date: 01.09.23

Scale: 1:2

CAD Ref.: TA114SWST-CS

FACING INFILL OPTION





INSTALLATION DETAIL - ARCHITECTURAL THERMAL HEART 114mm SLIDING WINDOW ON STUCCO CAVITY CONSTRUCTION

Date: 01.09.23

Scale: 1:2

CAD Ref.: TA114SWST-CS2

SILL TRAY OPTION

