

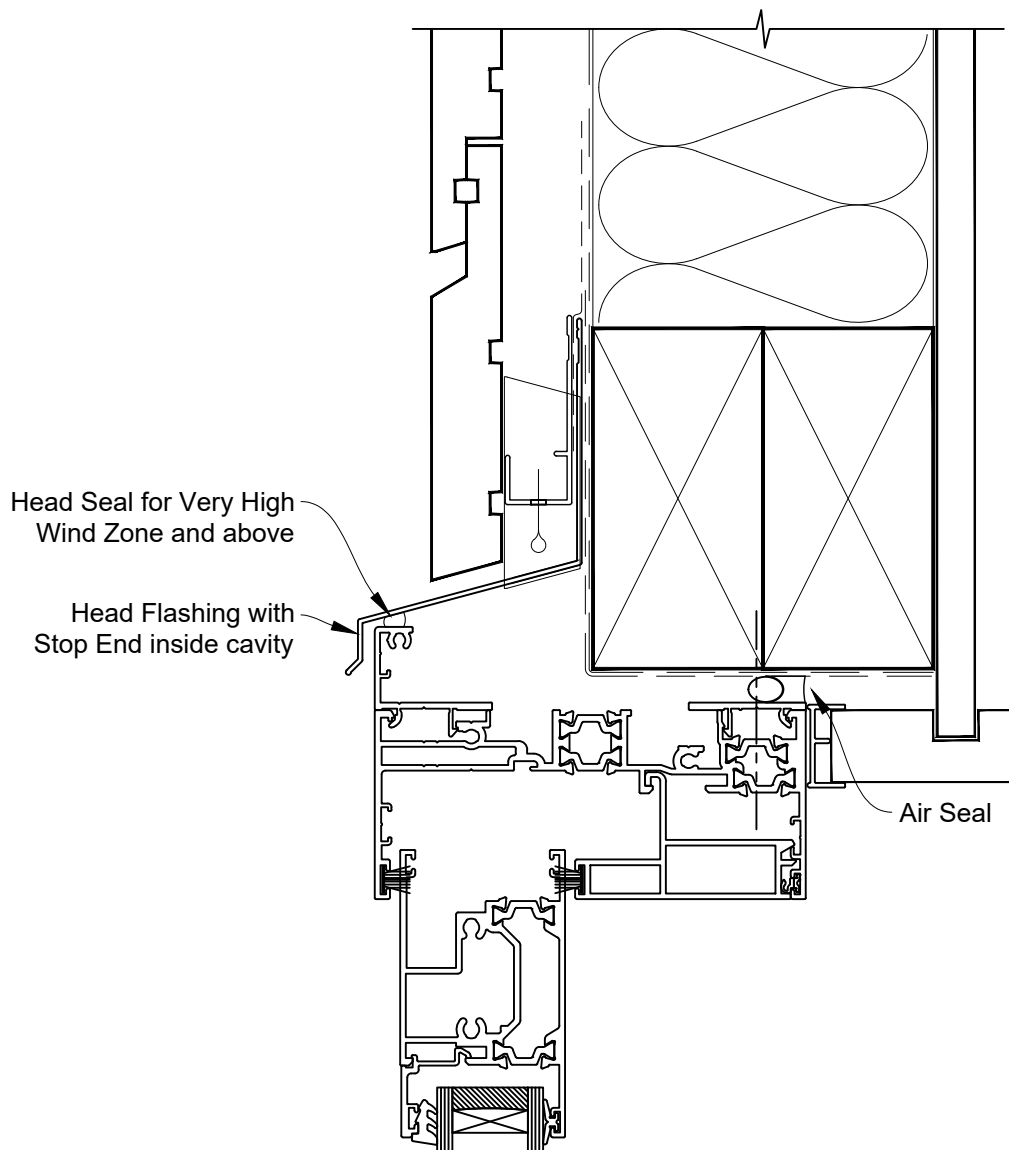


INSTALLATION DETAIL - ARCHITECTURAL THERMAL HEART 114mm SLIDING WINDOW ON RUSTICATED WEATHERBOARD CAVITY CONSTRUCTION

Date: 01.09.23

Scale: 1:2

CAD Ref.: TA114SWRW-CH



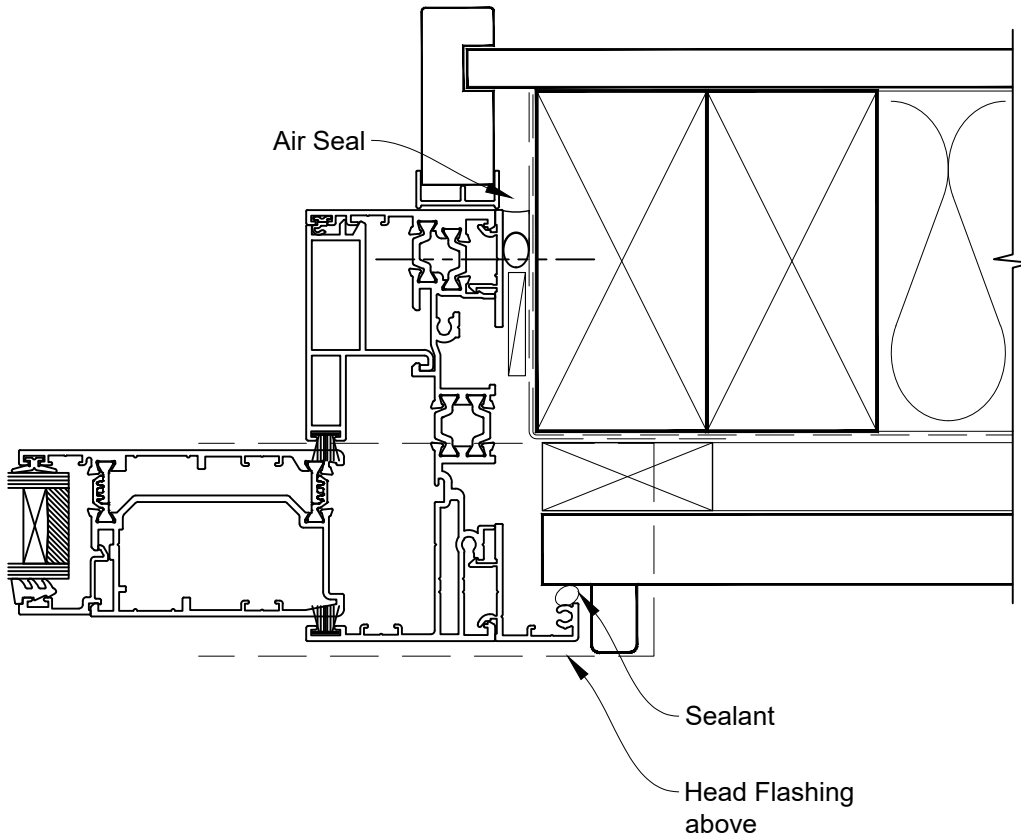


INSTALLATION DETAIL - ARCHITECTURAL THERMAL HEART 114mm SLIDING WINDOW ON RUSTICATED WEATHERBOARD CAVITY CONSTRUCTION

Date: 01.09.23

Scale: 1:2

CAD Ref.: TA114SWRW-CJ





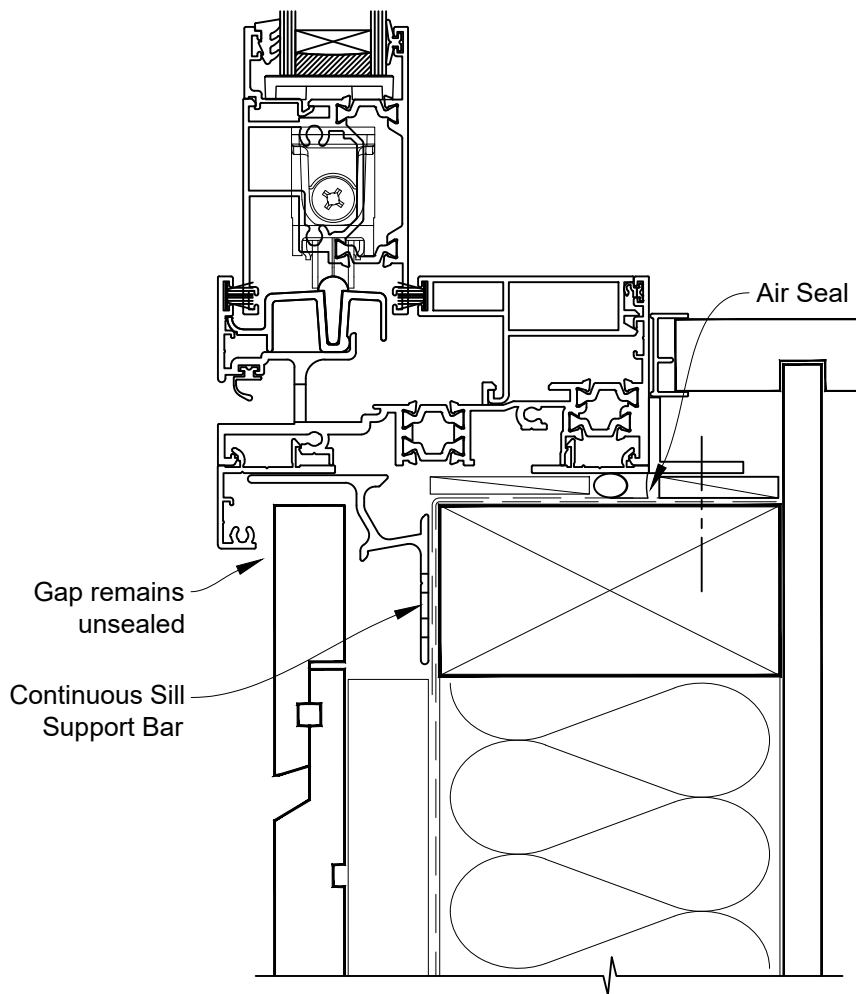
INSTALLATION DETAIL - ARCHITECTURAL THERMAL HEART 114mm SLIDING WINDOW ON RUSTICATED WEATHERBOARD CAVITY CONSTRUCTION

Date: 01.09.23

Scale: 1:2

CAD Ref.: TA114SWRW-CS

FACING INFILL OPTION





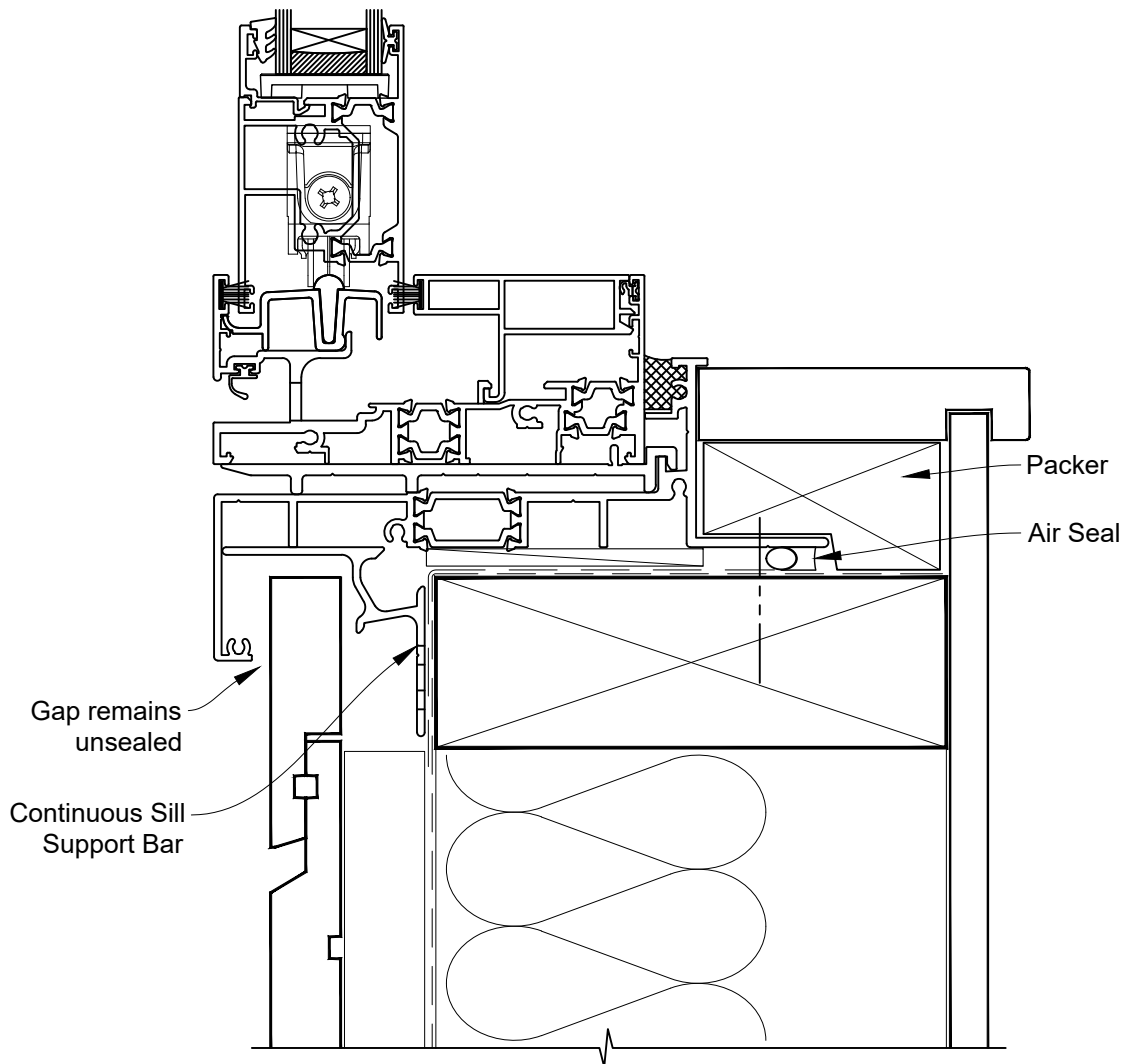
INSTALLATION DETAIL - ARCHITECTURAL THERMAL HEART 114mm SLIDING WINDOW ON RUSTICATED WEATHERBOARD CAVITY CONSTRUCTION

Date: 01.09.23

Scale: 1:2

CAD Ref.: TA114SWRW-CS2

SILL TRAY OPTION



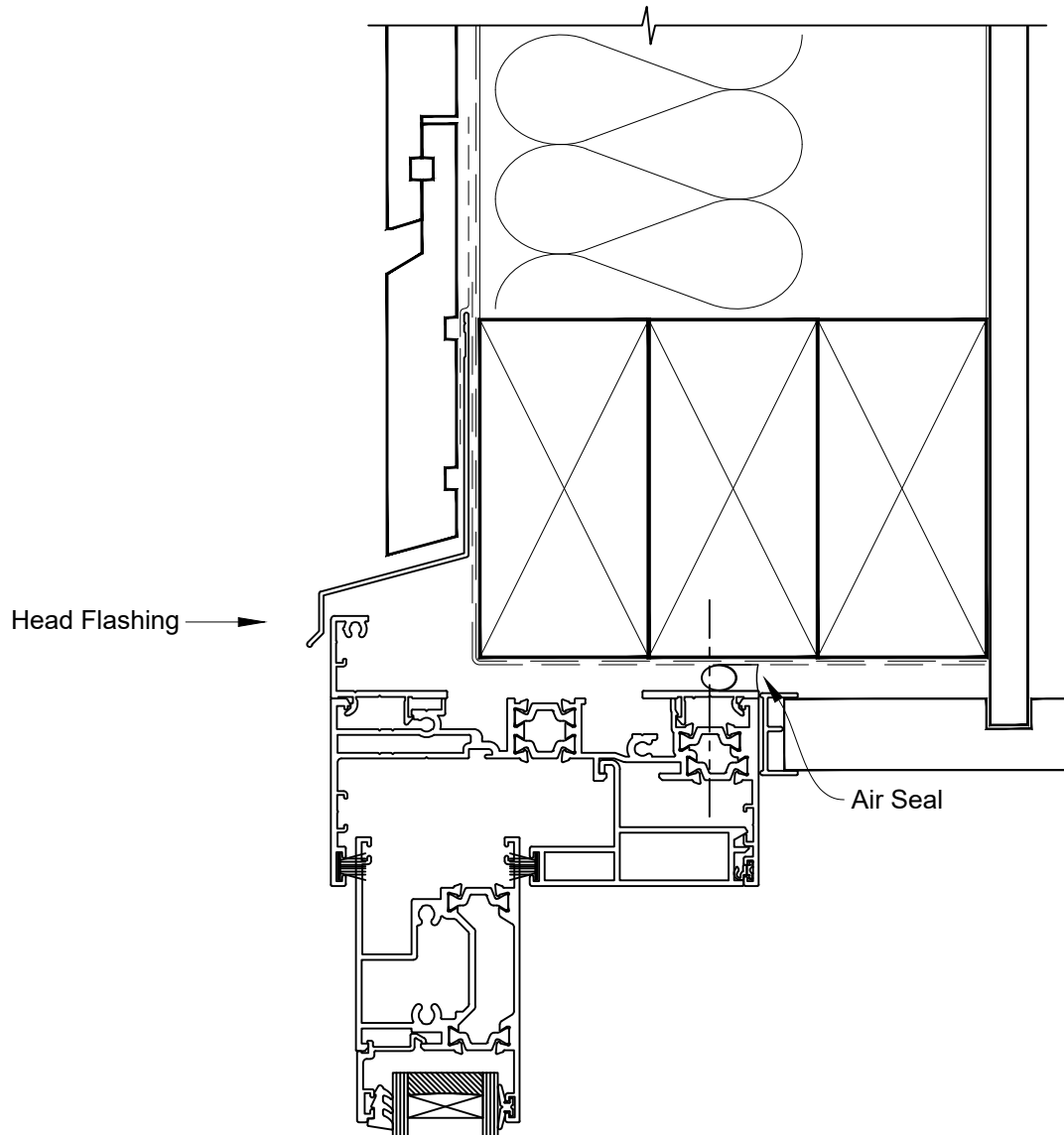


INSTALLATION DETAIL - ARCHITECTURAL THERMAL HEART 114mm SLIDING WINDOW ON RUSTICATED WEATHERBOARD DIRECT FIXED CLADDING

Date: 01.09.23

Scale: 1:2

CAD Ref.: TA114SWRW-DH



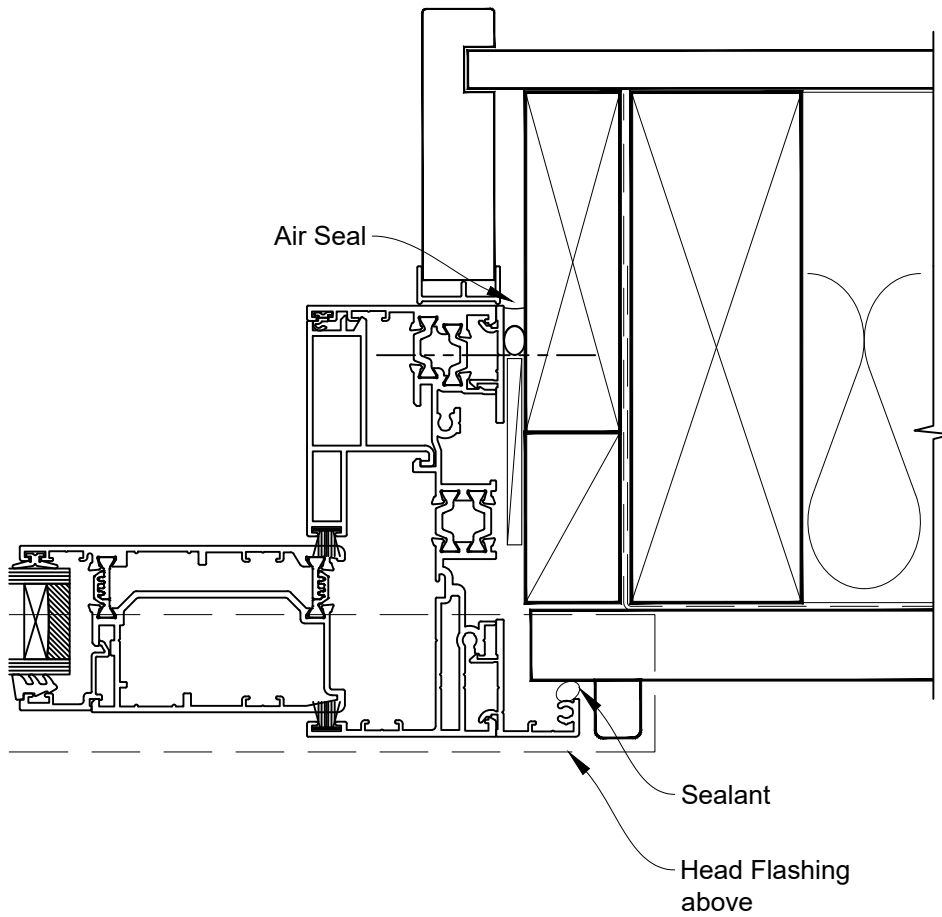


INSTALLATION DETAIL - ARCHITECTURAL THERMAL HEART 114mm SLIDING WINDOW ON RUSTICATED WEATHERBOARD DIRECT FIXED CLADDING

Date: 01.09.23

Scale: 1:2

CAD Ref.: TA114SWRW-DJ





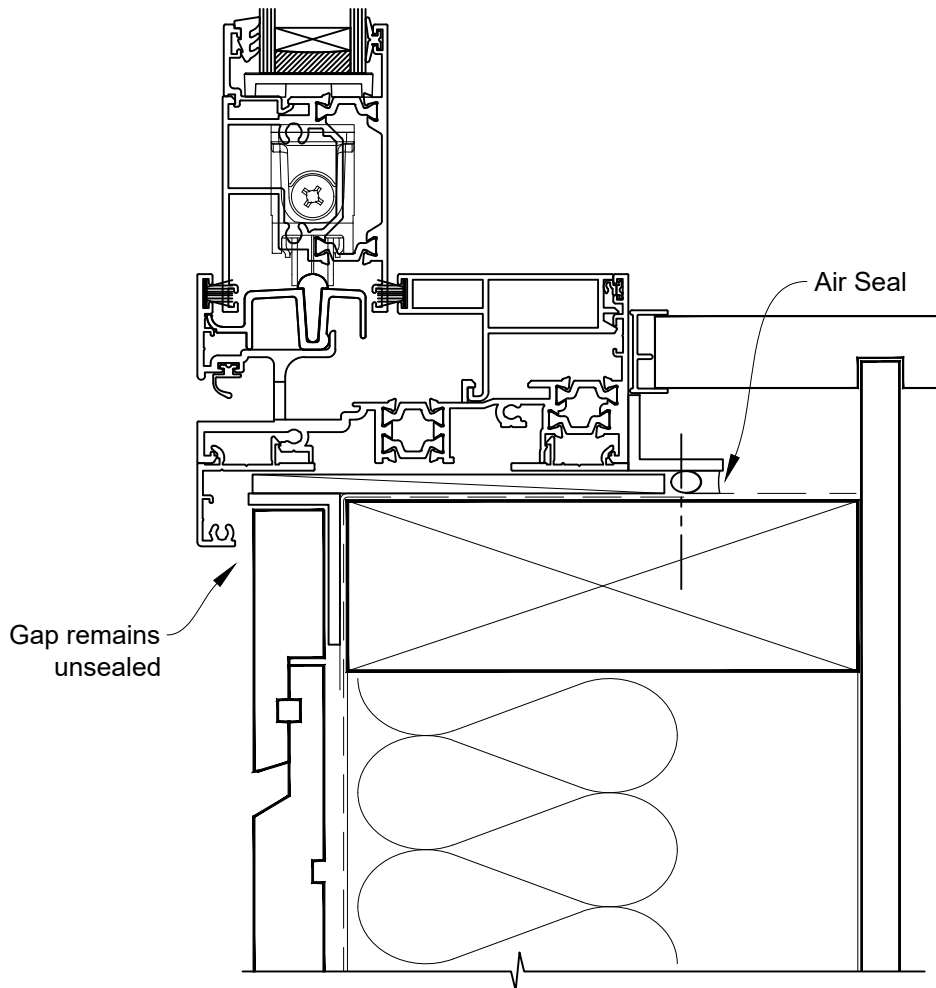
INSTALLATION DETAIL - ARCHITECTURAL THERMAL HEART 114mm SLIDING WINDOW ON RUSTICATED WEATHERBOARD DIRECT FIXED CLADDING

Date: 01.09.23

Scale: 1:2

CAD Ref.: TA114SWRW-DS

FACING INFILL OPTION





INSTALLATION DETAIL - ARCHITECTURAL THERMAL HEART 114mm SLIDING WINDOW ON RUSTICATED WEATHERBOARD DIRECT FIXED CLADDING

Date: 01.09.23

Scale: 1:2

CAD Ref.: TA114SWRW-DS2

SILL TRAY OPTION

