

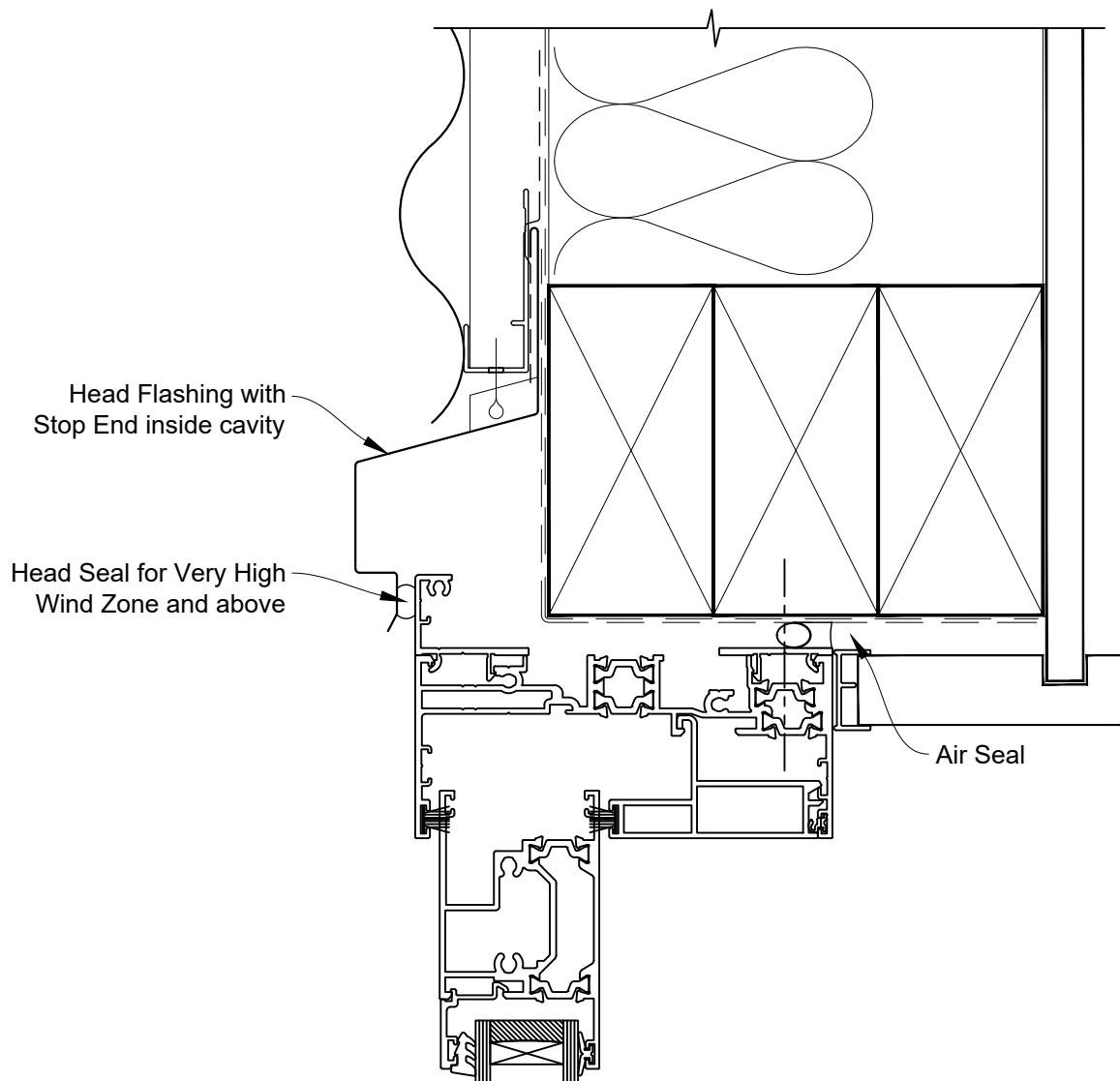


# INSTALLATION DETAIL - ARCHITECTURAL THERMAL HEART 114mm SLIDING WINDOW ON PROFILE METAL CAVITY CONSTRUCTION

Date: 01.09.23

Scale: 1:2

CAD Ref.: TA114SWPM-CH



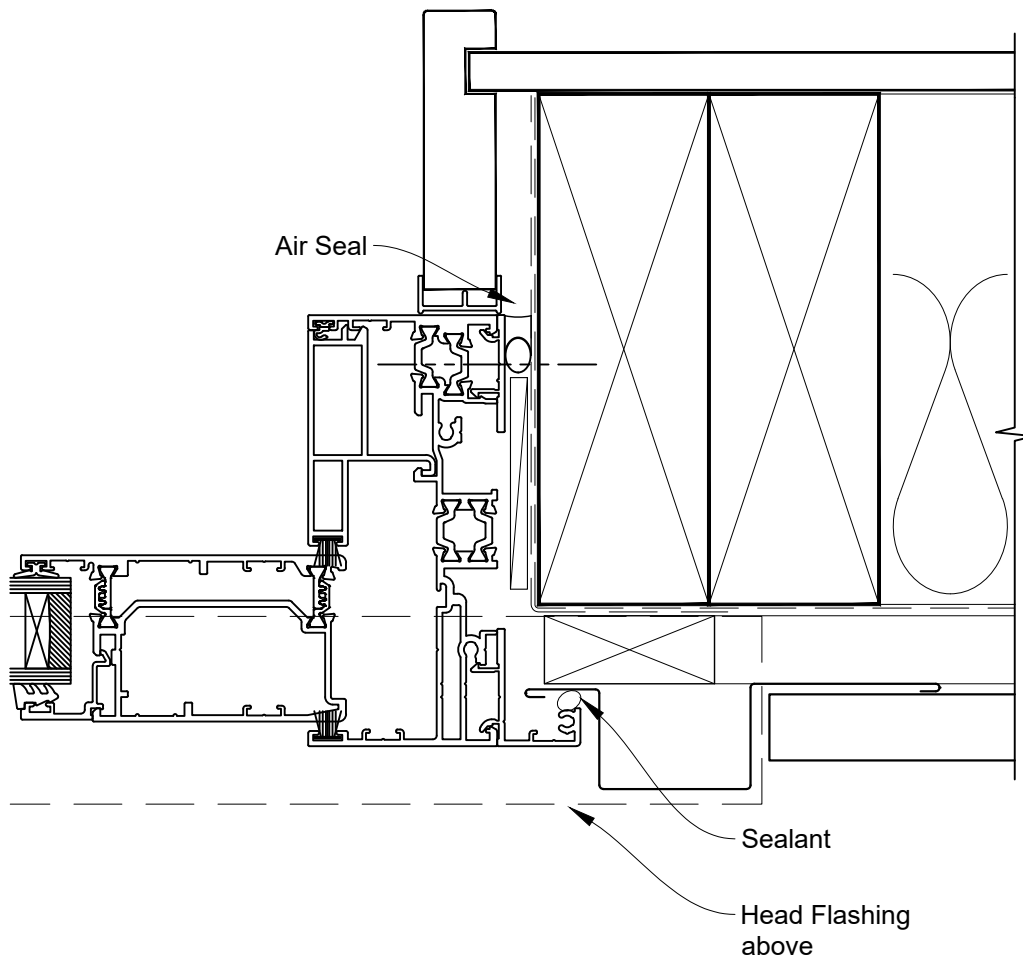


# INSTALLATION DETAIL - ARCHITECTURAL THERMAL HEART 114mm SLIDING WINDOW ON PROFILE METAL CAVITY CONSTRUCTION

Date: 01.09.23

Scale: 1:2

CAD Ref.: TA114SWPM-CJ





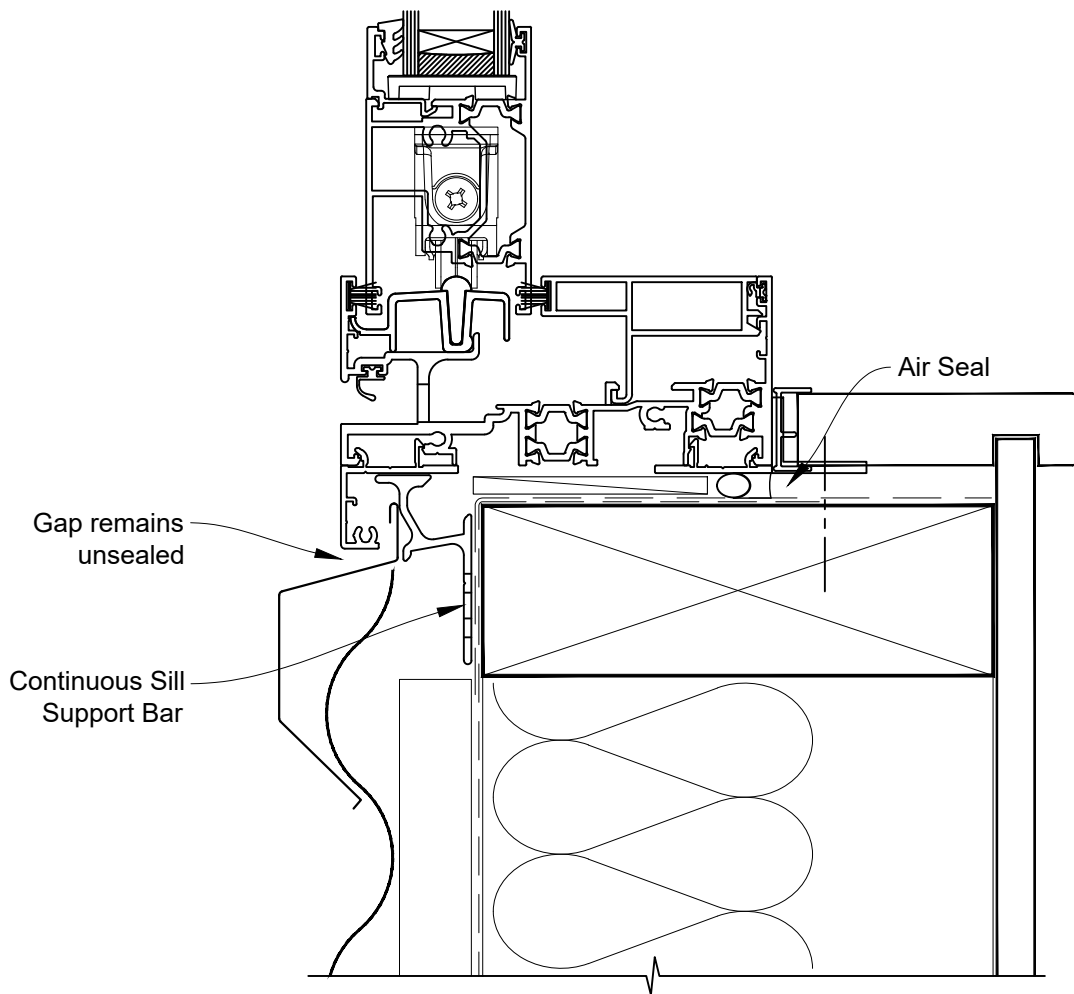
# INSTALLATION DETAIL - ARCHITECTURAL THERMAL HEART 114mm SLIDING WINDOW ON PROFILE METAL CAVITY CONSTRUCTION

Date: 01.09.23

Scale: 1:2

CAD Ref.: TA114SWPM-CS

## FACING INFILL OPTION





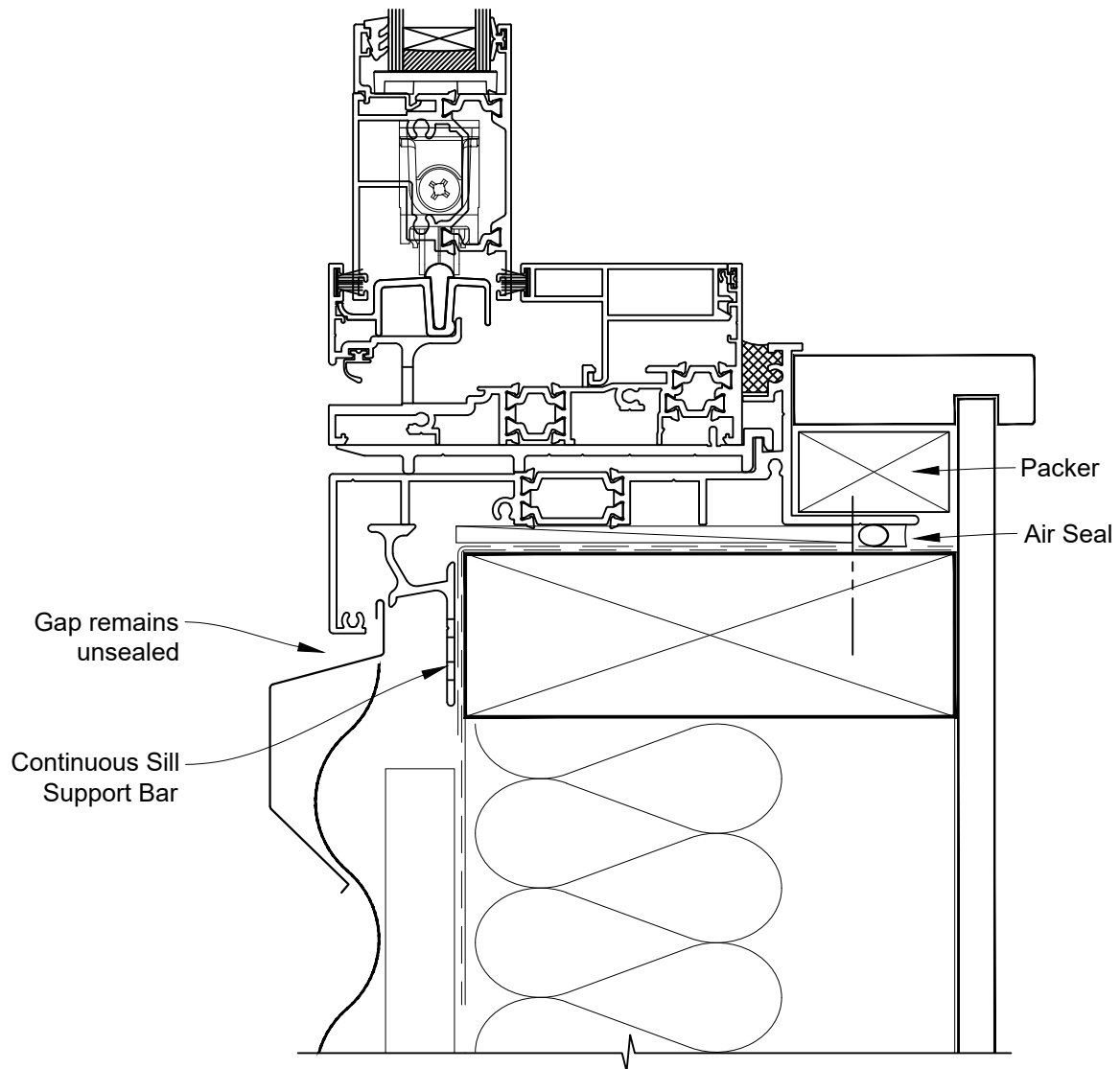
# INSTALLATION DETAIL - ARCHITECTURAL THERMAL HEART 114mm SLIDING WINDOW ON PROFILE METAL CAVITY CONSTRUCTION

Date: 01.09.23

Scale: 1:2

CAD Ref.: TA114SWPM-CS2

## SILL TRAY OPTION



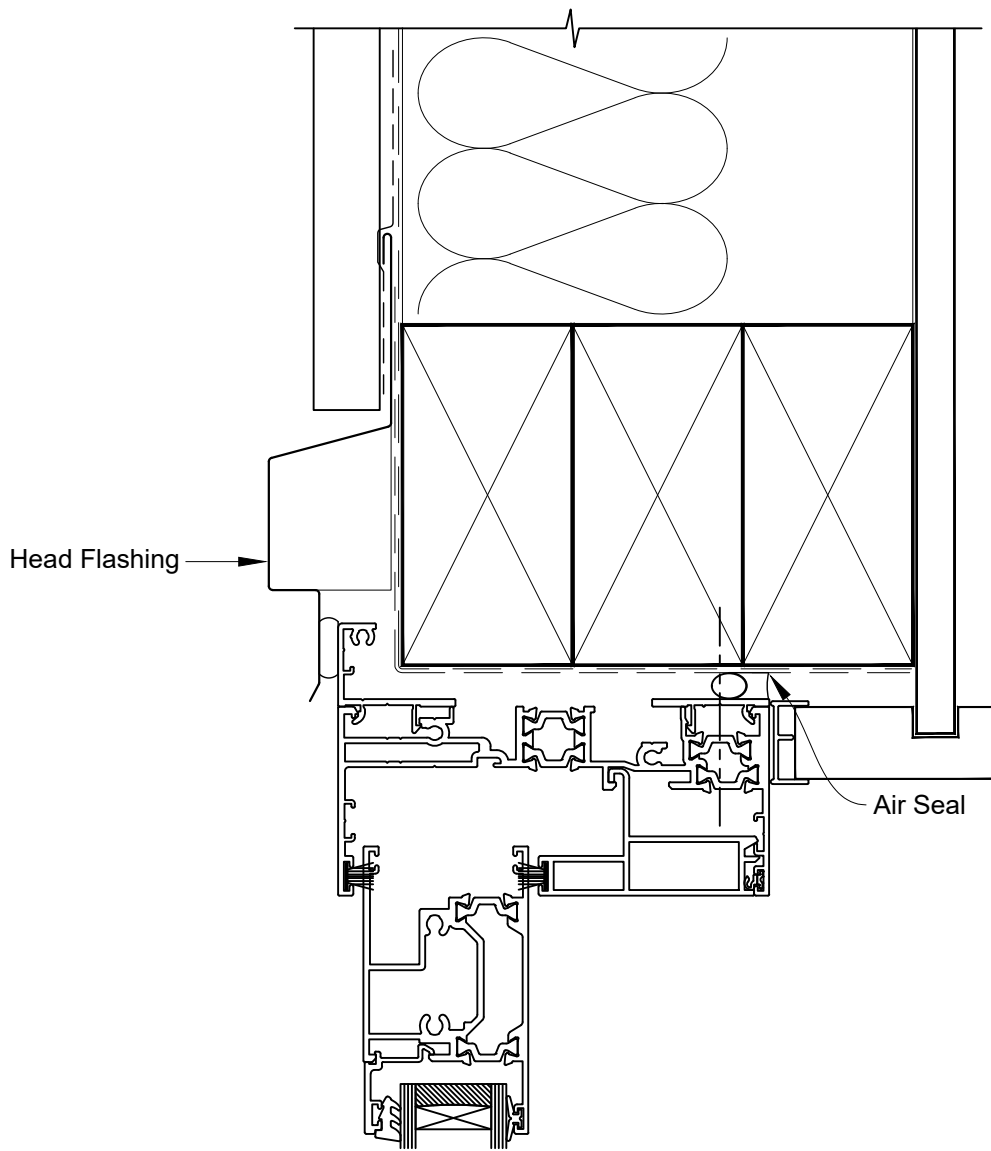


# INSTALLATION DETAIL - ARCHITECTURAL THERMAL HEART 114mm SLIDING WINDOW ON PROFILE METAL DIRECT FIXED CLADDING

Date: 01.09.23

Scale: 1:2

CAD Ref.: TA114SWPM-DH



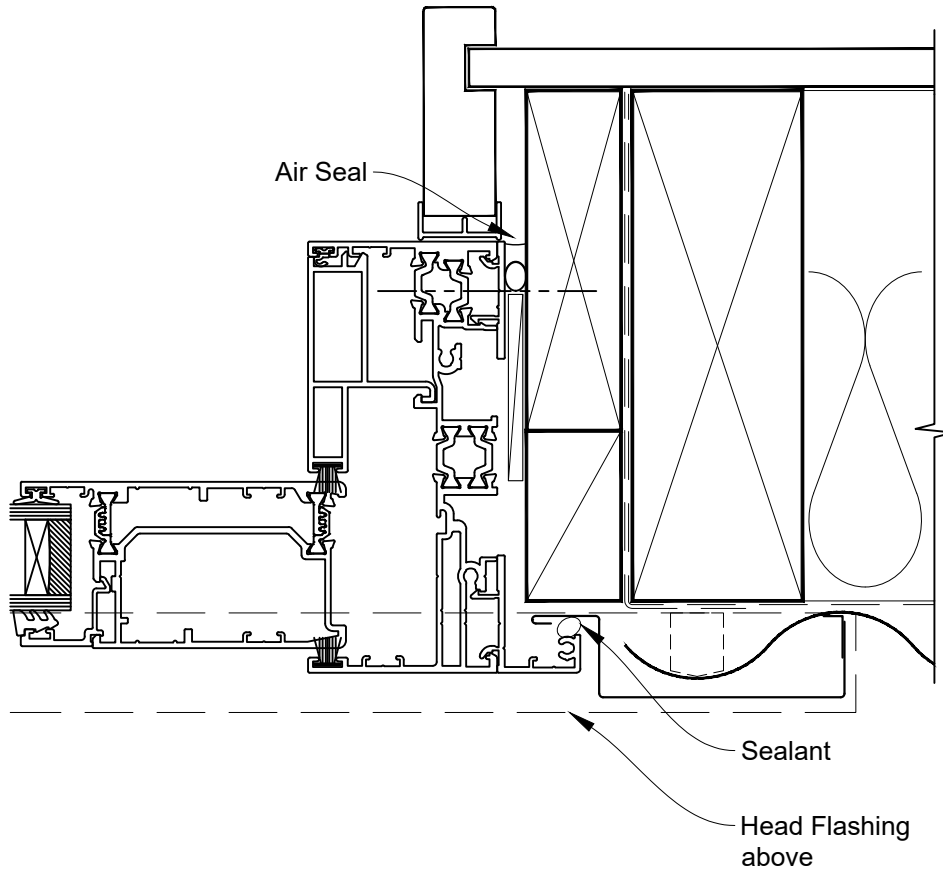


# INSTALLATION DETAIL - ARCHITECTURAL THERMAL HEART 114mm SLIDING WINDOW ON PROFILE METAL DIRECT FIXED CLADDING

Date: 01.09.23

Scale: 1:2

CAD Ref.: TA114SWPM-DJ





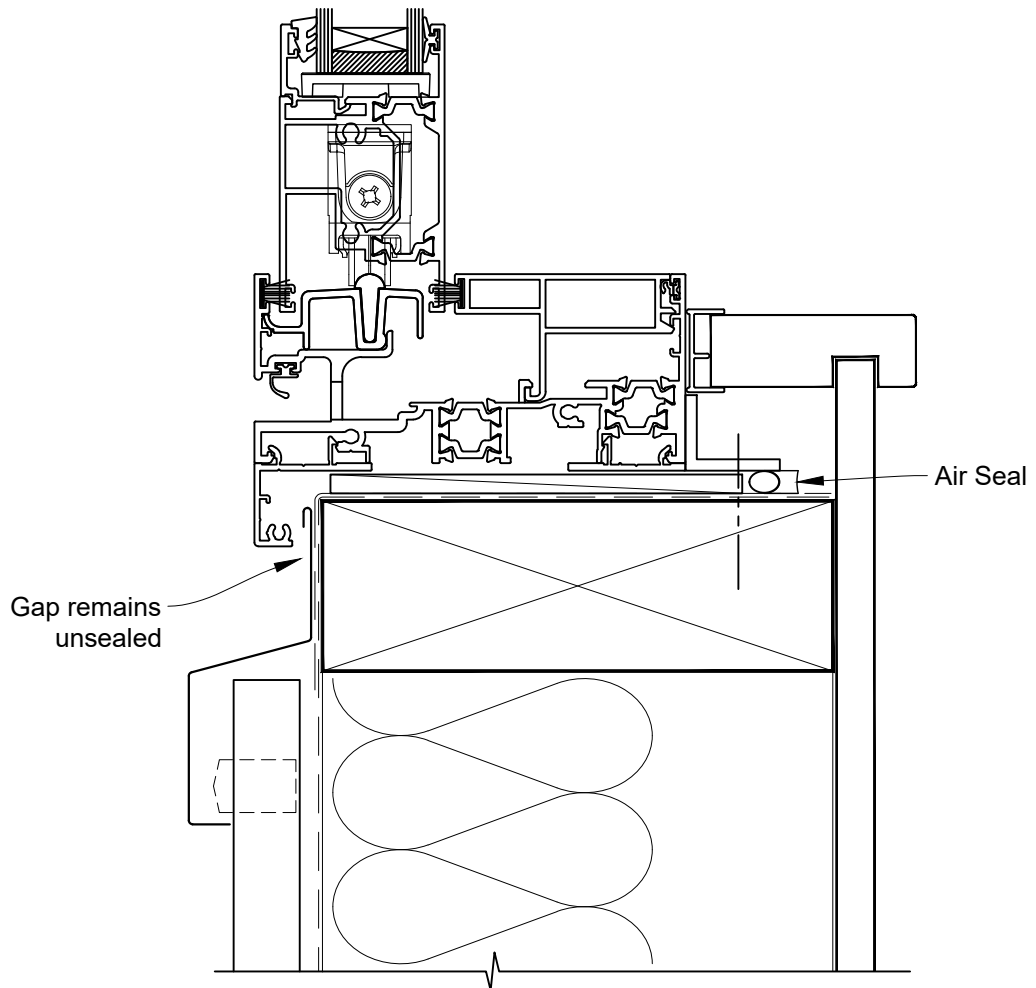
# INSTALLATION DETAIL - ARCHITECTURAL THERMAL HEART 114mm SLIDING WINDOW ON PROFILE METAL DIRECT FIXED CLADDING

Date: 01.09.23

Scale: 1:2

CAD Ref.: TA114SWPM-DS

## FACING INFILL OPTION





# INSTALLATION DETAIL - ARCHITECTURAL THERMAL HEART 114mm SLIDING WINDOW ON PROFILE METAL DIRECT FIXED CLADDING

Date: 01.09.23

Scale: 1:2

CAD Ref.: TA114SWPM-DS2

## SILL TRAY OPTION

